



US00D686694S

(12) **United States Design Patent**
Li

(10) **Patent No.:** **US D686,694 S**

(45) **Date of Patent:** **** Jul. 23, 2013**

(54) **INTERNAL FILTER**

(75) Inventor: **Liedang Li, Baolong (CN)**

(73) Assignee: **Shenzhen Xingrisheng Industrial Co., Ltd., Shenzhen (CN)**

(**) Term: **14 Years**

(21) Appl. No.: **29/423,396**

(22) Filed: **May 31, 2012**

(30) **Foreign Application Priority Data**

Dec. 22, 2011 (CN) 2011 3 0494346

(51) **LOC (9) Cl.** **23-01**

(52) **U.S. Cl.**
USPC **D23/210**

(58) **Field of Classification Search**
USPC D23/207-210; 210/167.01, 167.22,
210/167.21, 416.2

See application file for complete search history.

(56) **References Cited**

U.S. PATENT DOCUMENTS

5,585,010 A * 12/1996 Dockery et al. 210/805
D392,717 S * 3/1998 Conger, IV D23/210
D468,393 S * 1/2003 Agresta et al. D23/210
6,797,163 B2 * 9/2004 Carley et al. 210/167.22

* cited by examiner

Primary Examiner — Robin V Webster

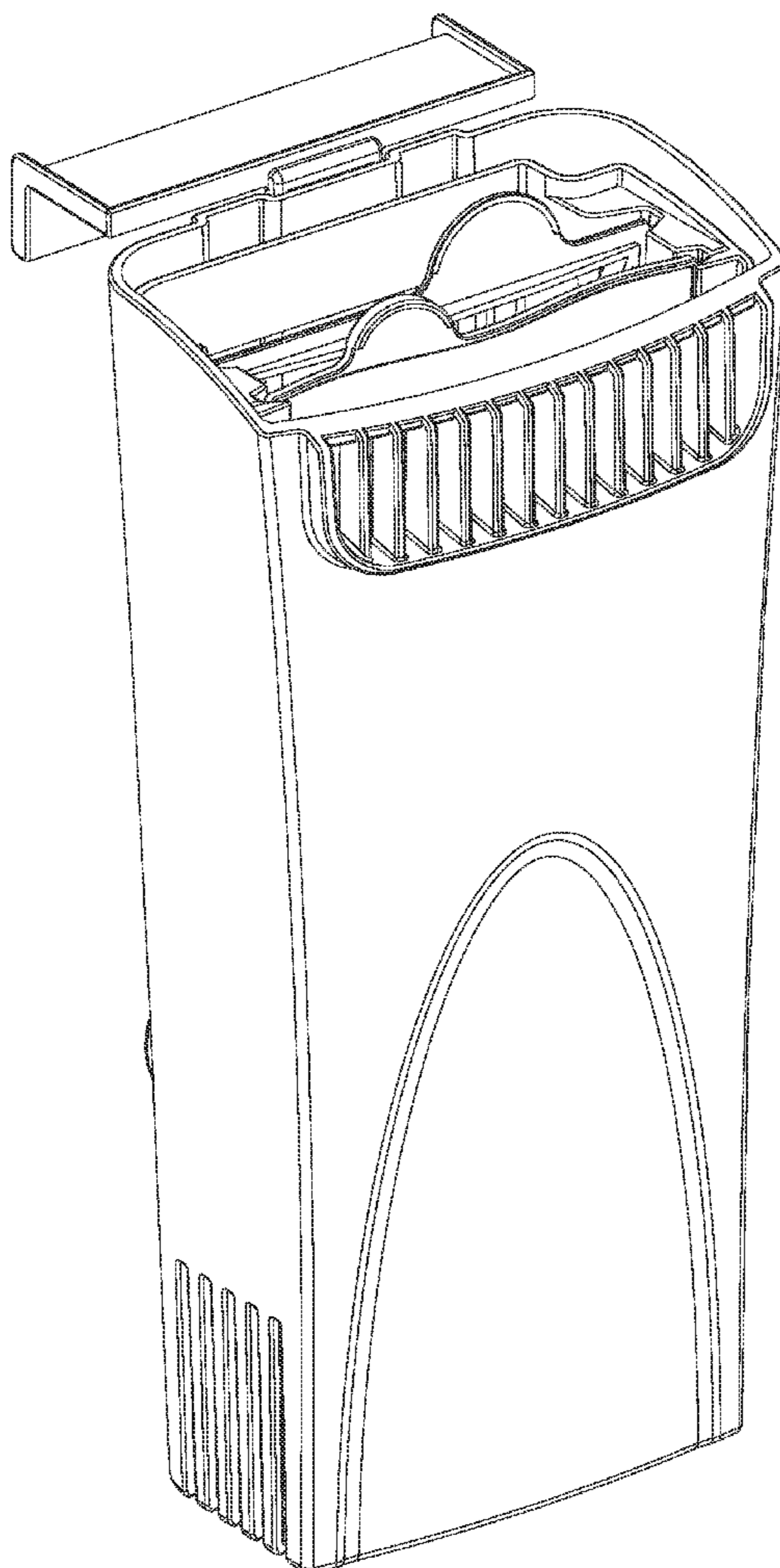
(57) **CLAIM**

The ornamental design for an internal filter, as shown and described.

DESCRIPTION

FIG. 1 is a perspective view of the internal filter showing my new design;
FIG. 2 is a front plan view thereof;
FIG. 3 is a back plan view thereof;
FIG. 4 is a right plan view thereof;
FIG. 5 is a left plan view thereof;
FIG. 6 is a downward plan view thereof; and,
FIG. 7 is an upward plan view thereof.

1 Claim, 6 Drawing Sheets



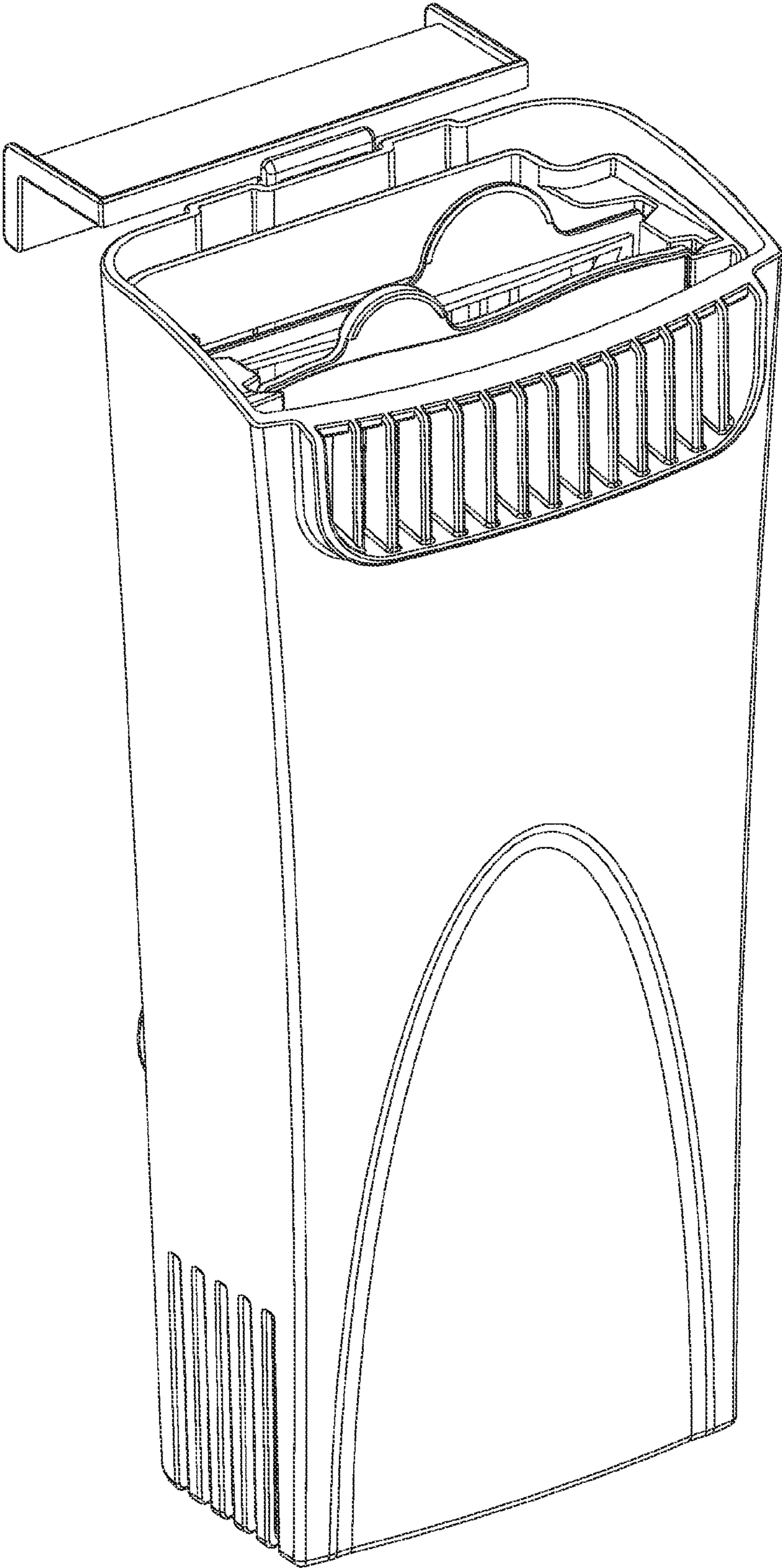


Fig.1

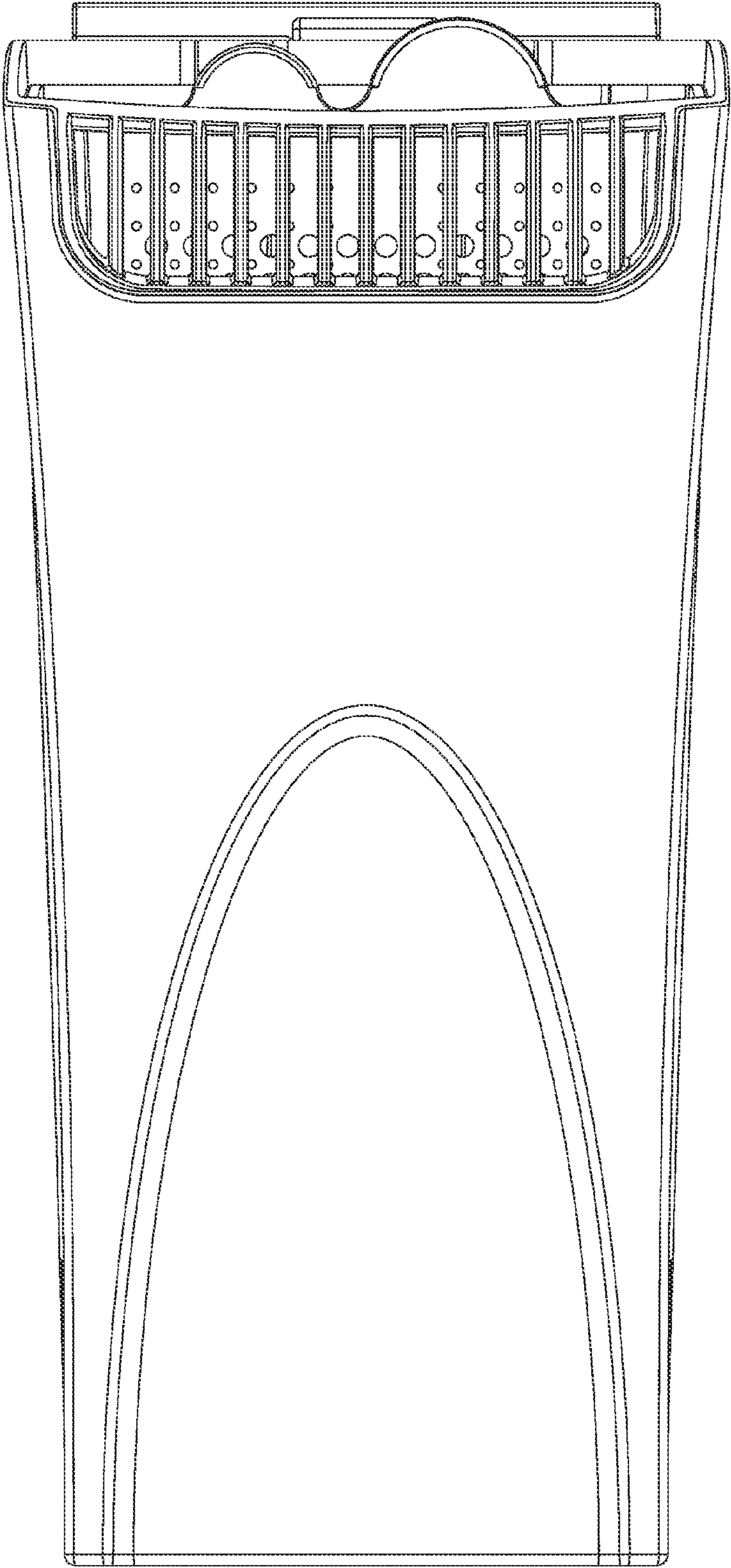


Fig.2

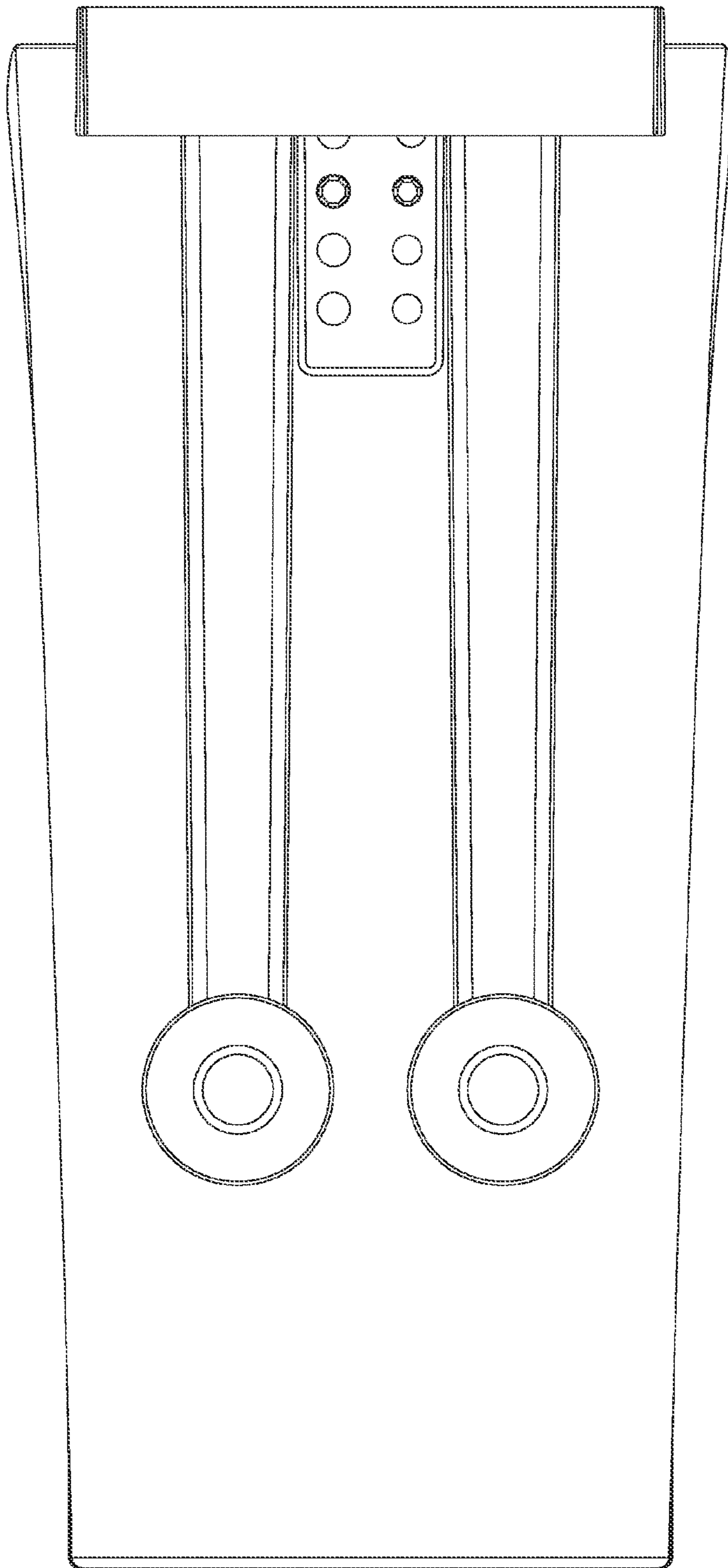


Fig.3

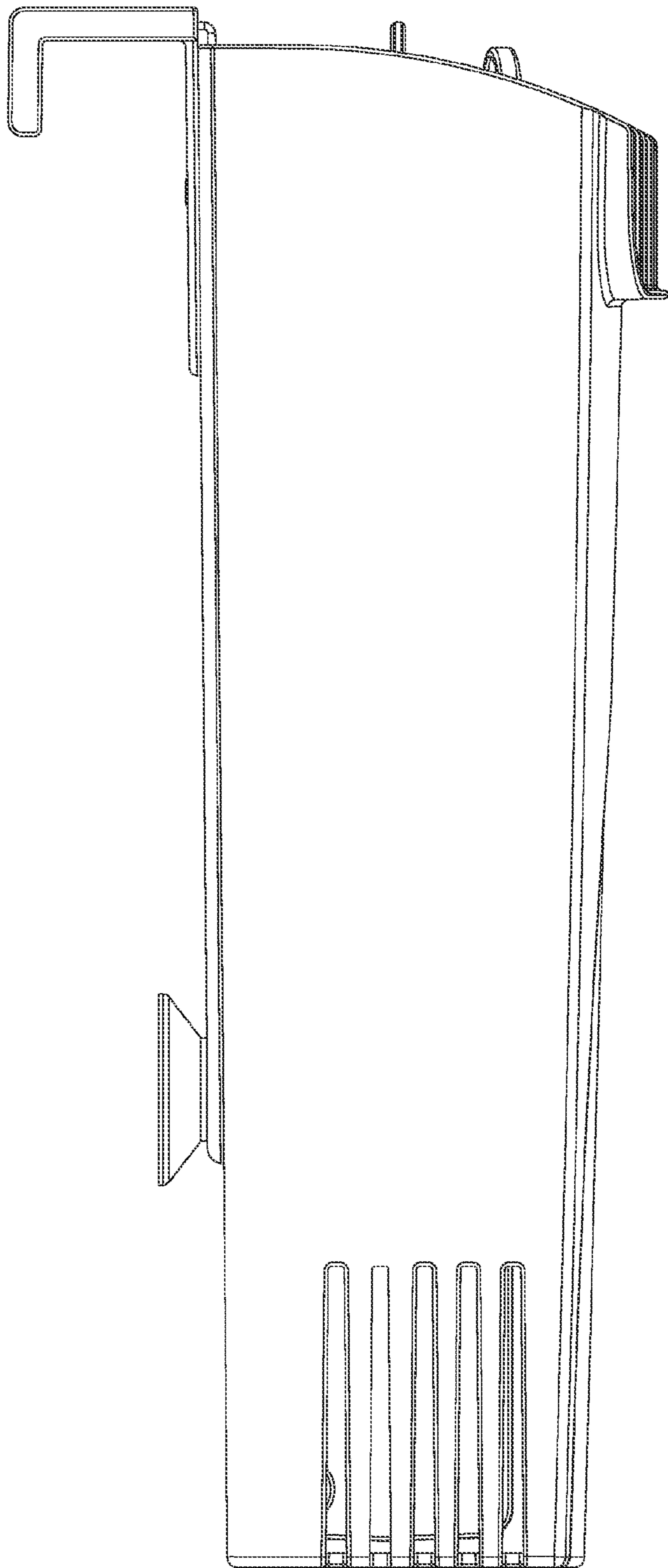


Fig.4

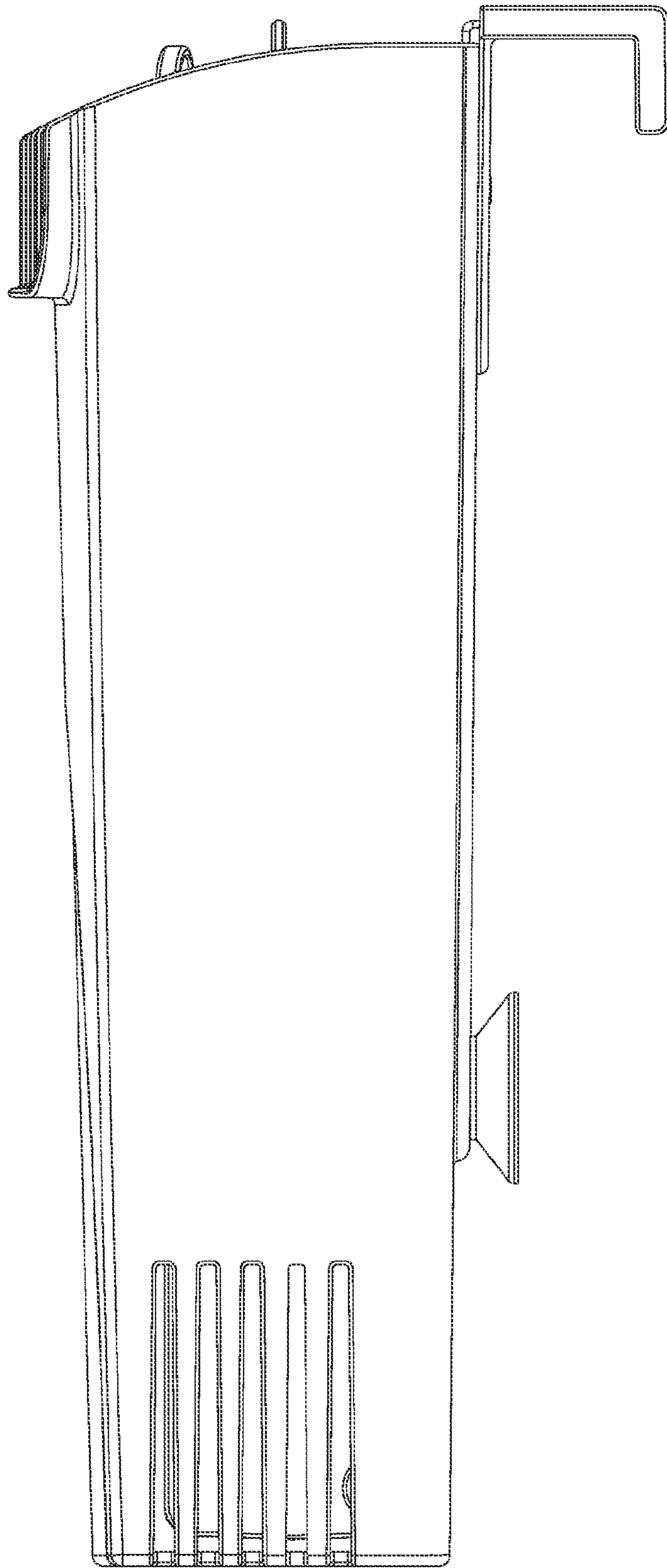


Fig.5

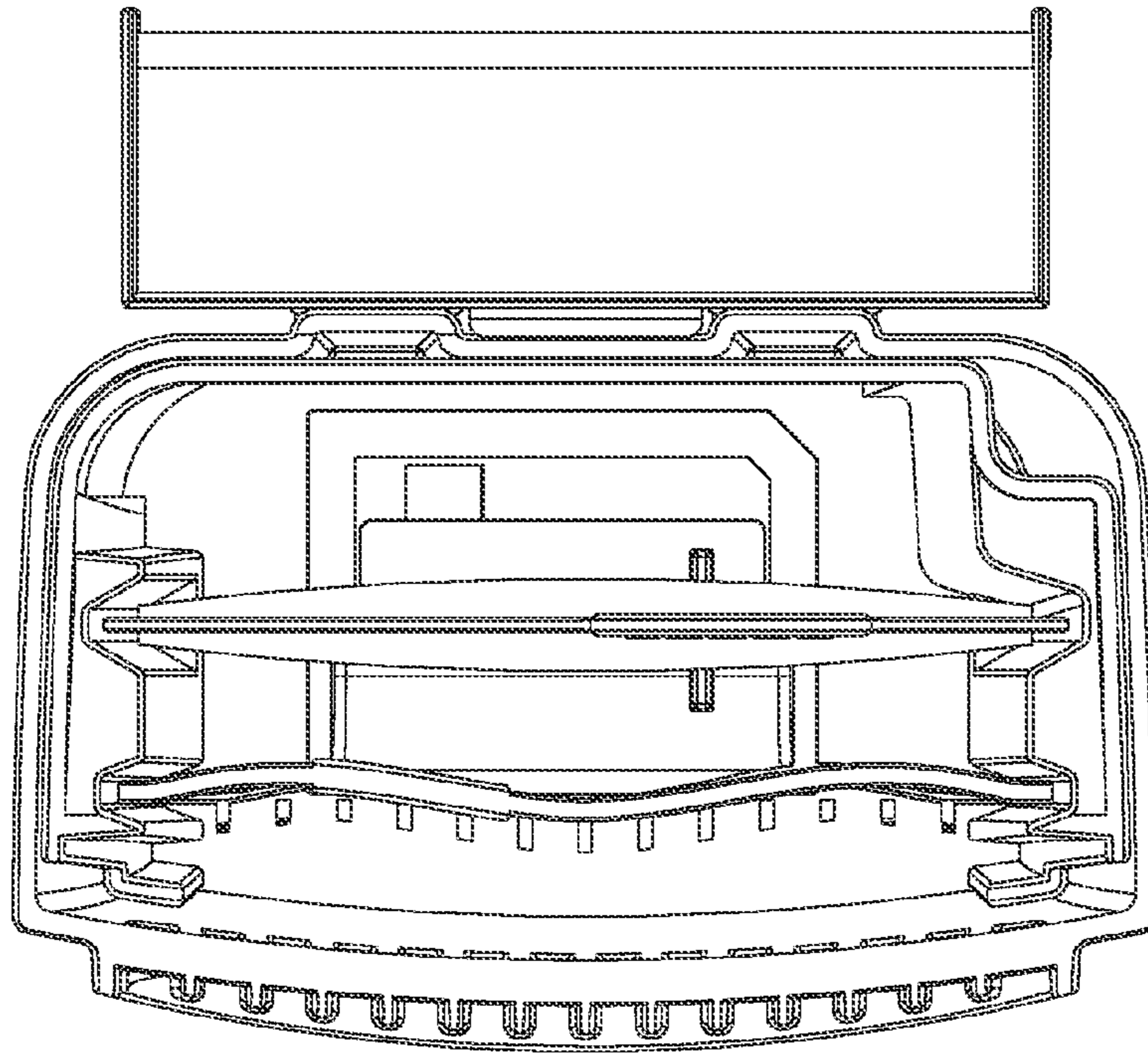


Fig. 6

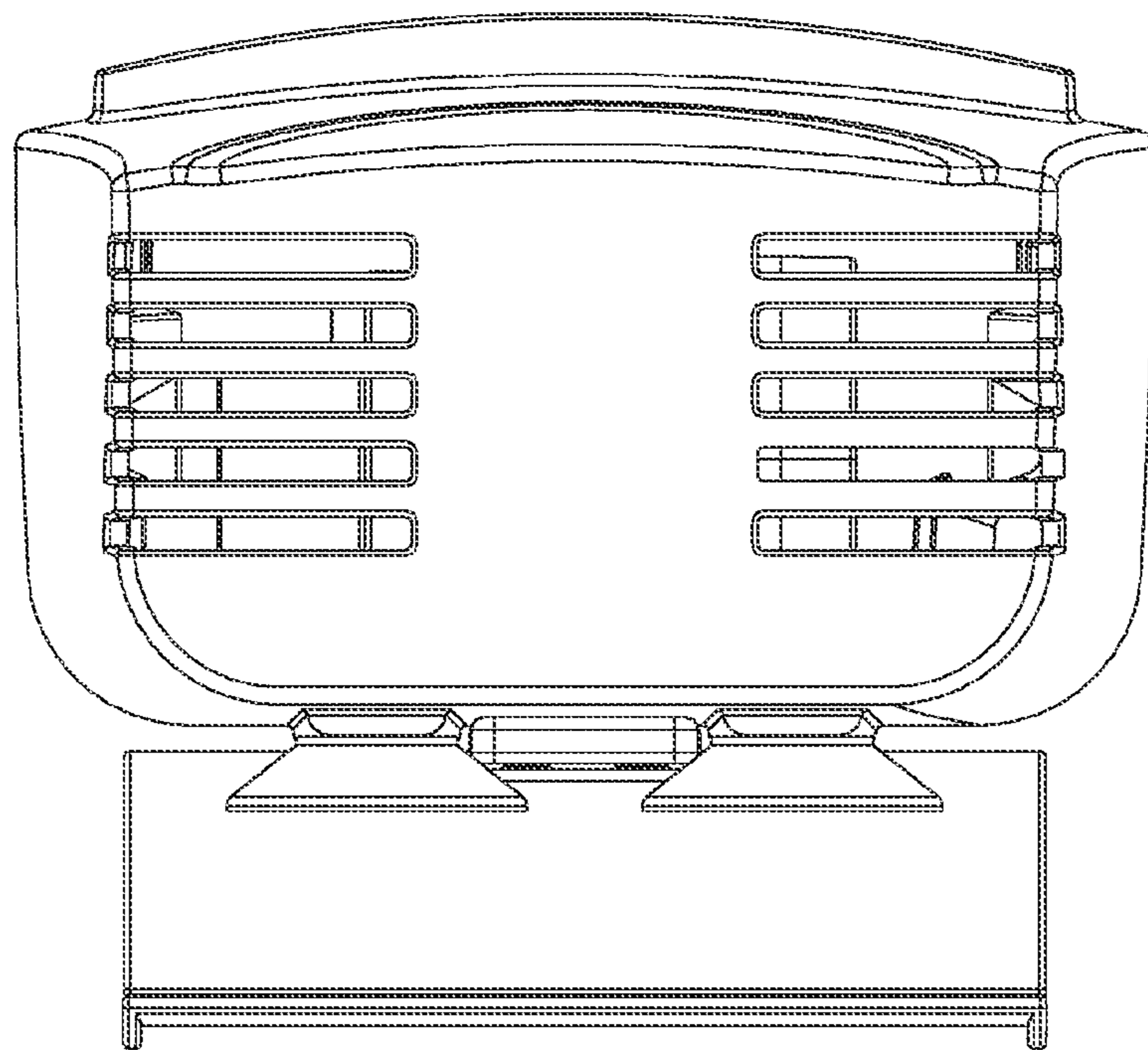


Fig. 7