



US00D686689S

(12) **United States Design Patent**
Bernard

(10) **Patent No.:** **US D686,689 S**
(45) **Date of Patent:** **** Jul. 23, 2013**

(54) **INSECT BAIT STATION**

(71) Applicant: **Alan Bernard**, Boca Raton, FL (US)

(72) Inventor: **Alan Bernard**, Boca Raton, FL (US)

(**) Term: **14 Years**

(21) Appl. No.: **29/434,840**

(22) Filed: **Oct. 17, 2012**

(51) **LOC (9) Cl.** **22-06**

(52) **U.S. Cl.**
USPC **D22/122**

(58) **Field of Classification Search**
USPC D22/119-124; 43/107, 112-113,
43/121, 124, 131, 132.1
See application file for complete search history.

(56) **References Cited**

U.S. PATENT DOCUMENTS

D390,305 S *	2/1998	Dickson et al.	D22/122
D410,724 S *	6/1999	Robles et al.	D22/122
D515,175 S *	2/2006	Mayo et al.	D22/122
D531,257 S *	10/2006	Duston	D22/122
D537,903 S *	3/2007	Duston	D22/122
D544,064 S *	6/2007	Kerl et al.	D22/122

OTHER PUBLICATIONS

Bayer Cropscience LP, Bayer Maxforce Bait Station.

* cited by examiner

Primary Examiner — Catheri Oliver-Garcia

(74) *Attorney, Agent, or Firm* — Mark D. Bowen; Malin Haley DiMaggio & Bowen, P.A.

(57) **CLAIM**

The ornamental design for an insect bait station, as shown and described.

DESCRIPTION

FIG. 1 is a top perspective view of an insect bait station in accordance with the present invention in an open configuration;

FIG. 2 is bottom perspective view thereof;

FIG. 3 is a bottom view thereof;

FIG. 4 is a top view thereof;

FIG. 5 is an end view thereof;

FIG. 6 is an opposing end view thereof;

FIG. 7 is a right side view thereof;

FIG. 8 is a left side view thereof;

FIG. 9 is a top front perspective view of the insect bait station in accordance with the present invention in a closed configuration;

FIG. 10 is a bottom rear perspective view thereof;

FIG. 11 is a top view thereof;

FIG. 12 is a bottom view thereof;

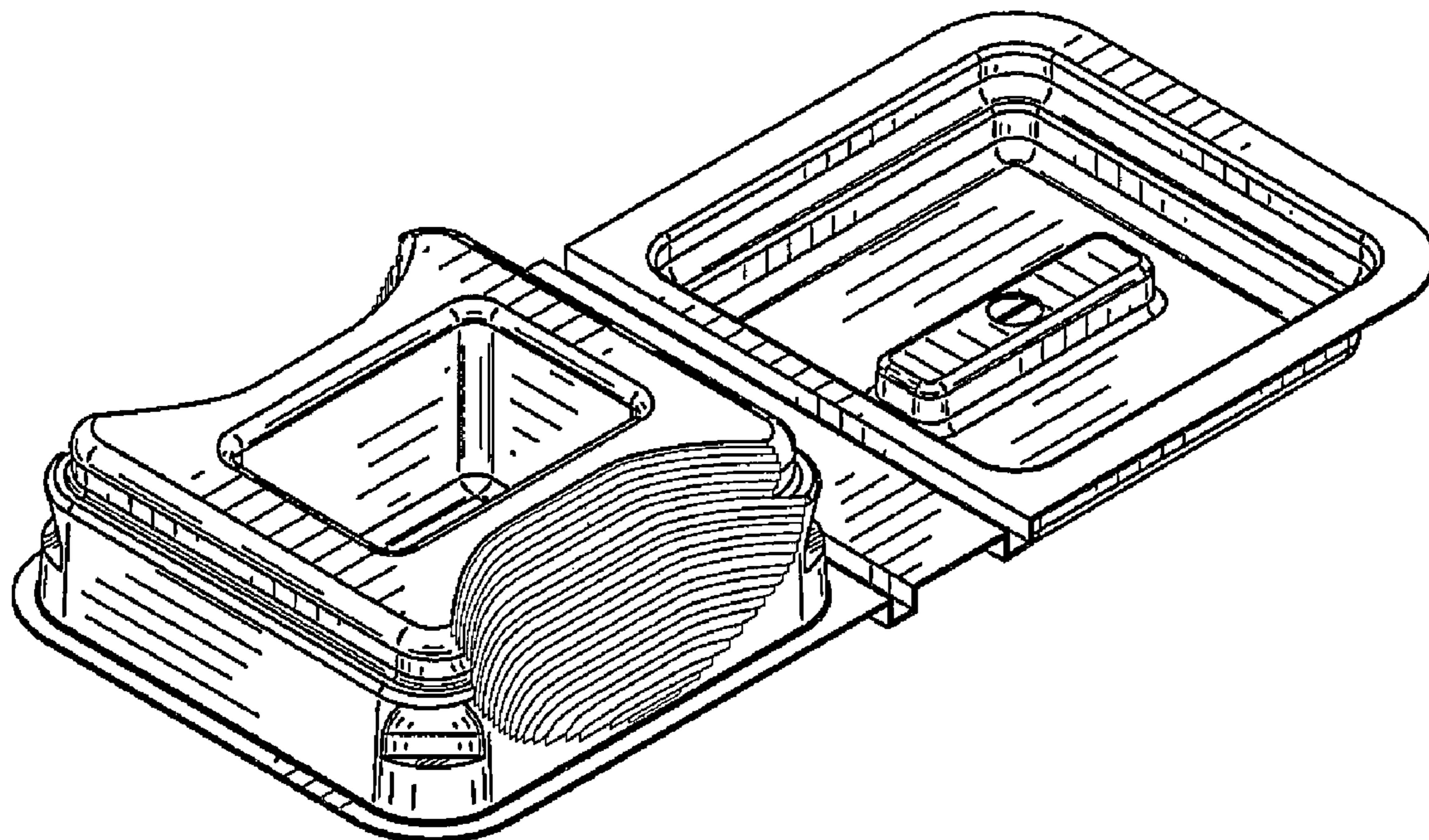
FIG. 13 is a front end view thereof;

FIG. 14 is a rear end view thereof;

FIG. 15 is a right side view thereof; and,

FIG. 16 is a left side view thereof.

1 Claim, 6 Drawing Sheets



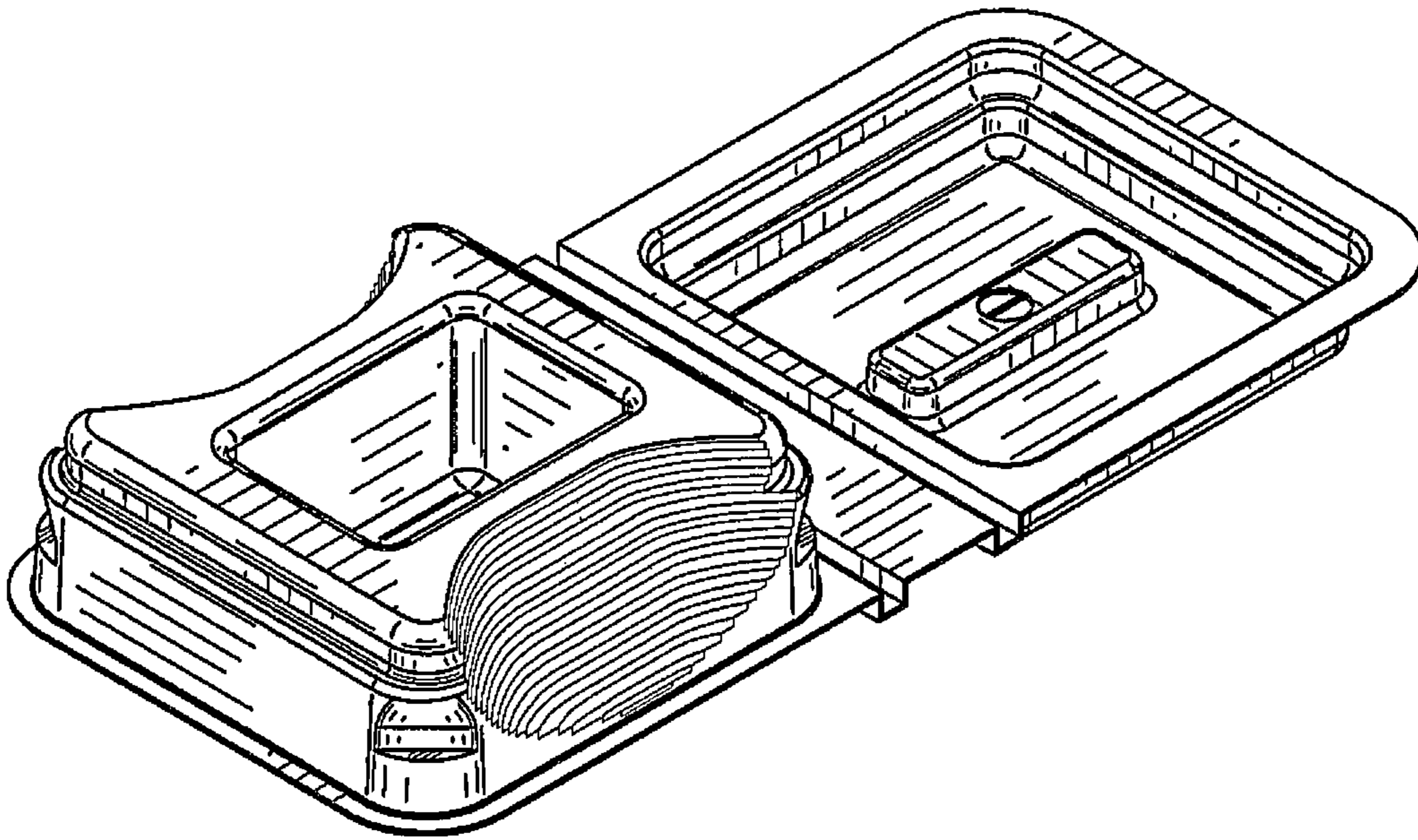


FIG. 1

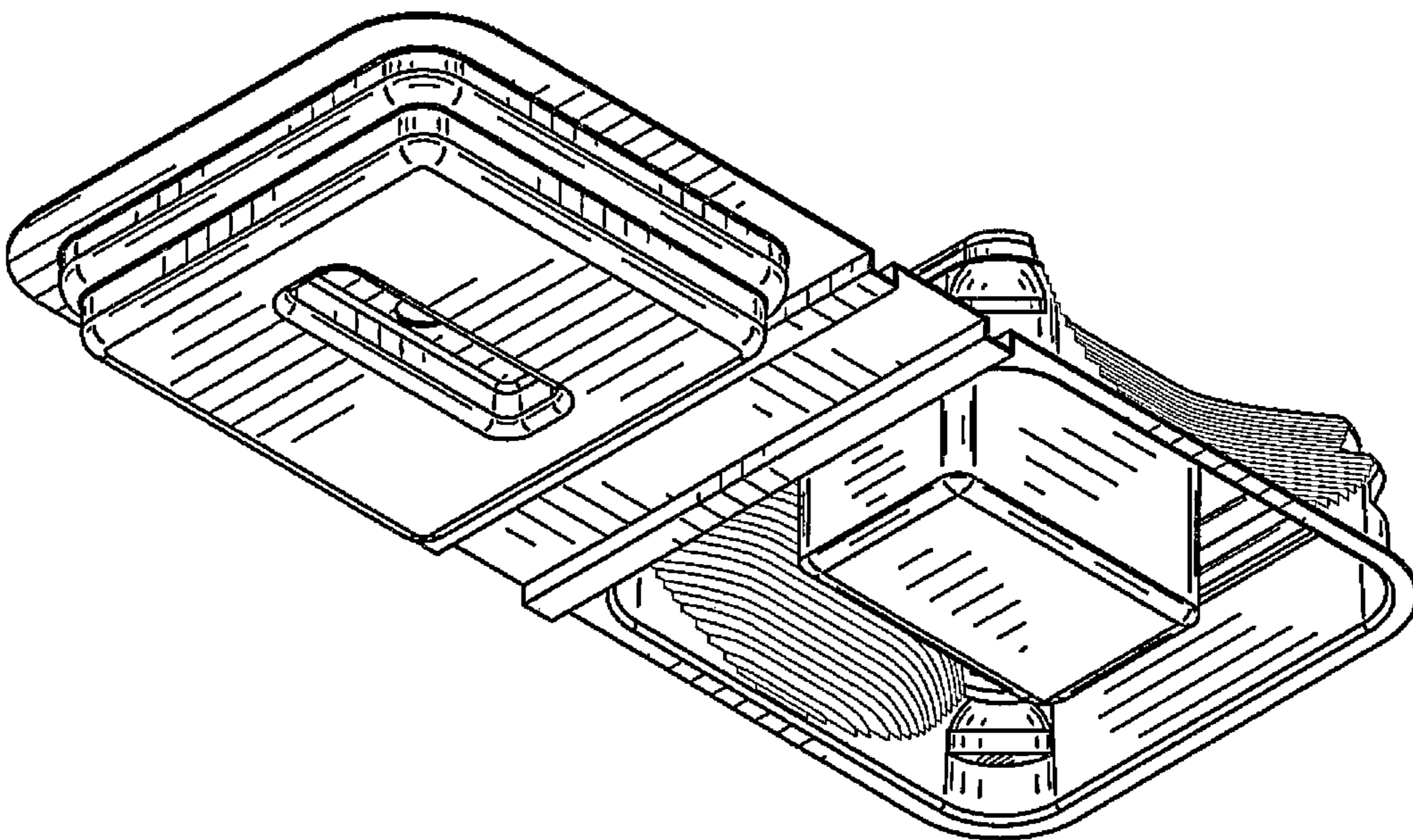


FIG. 2

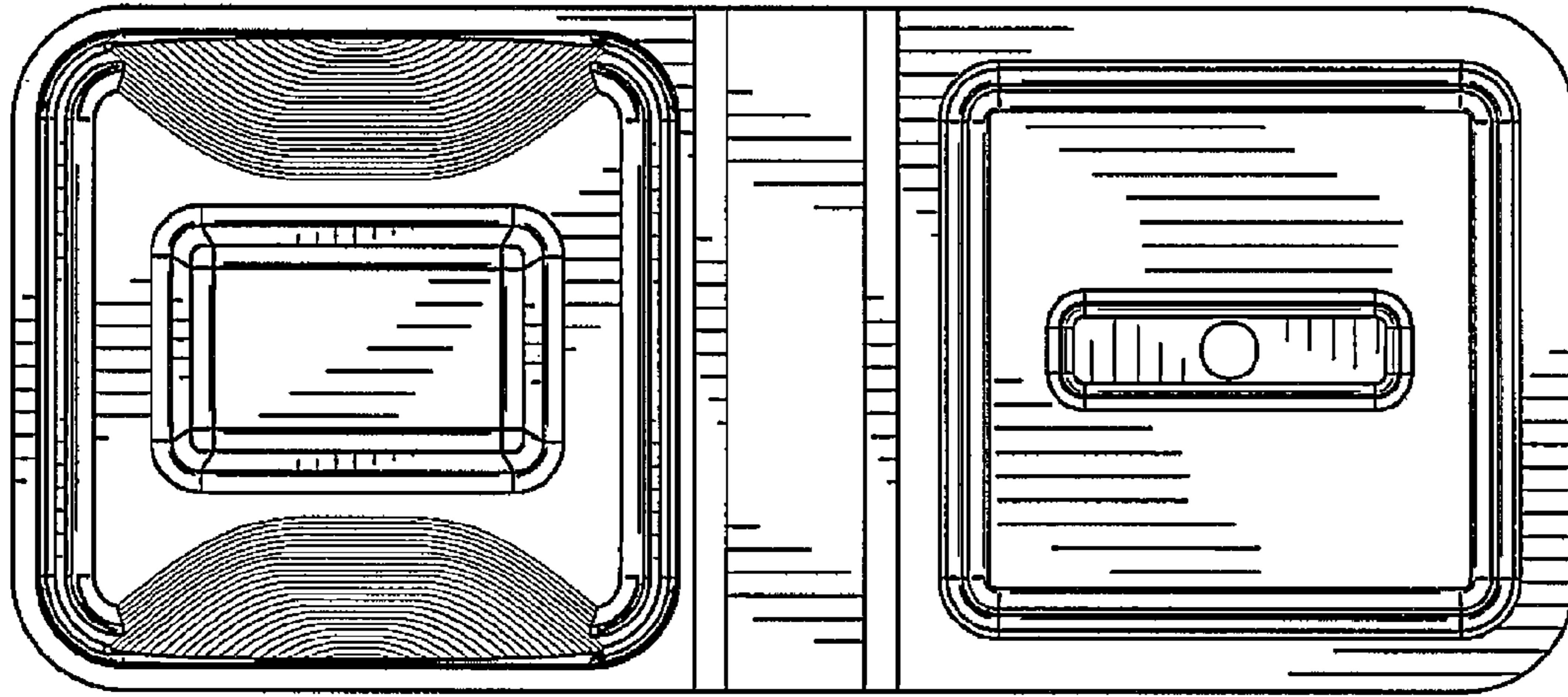


FIG. 3

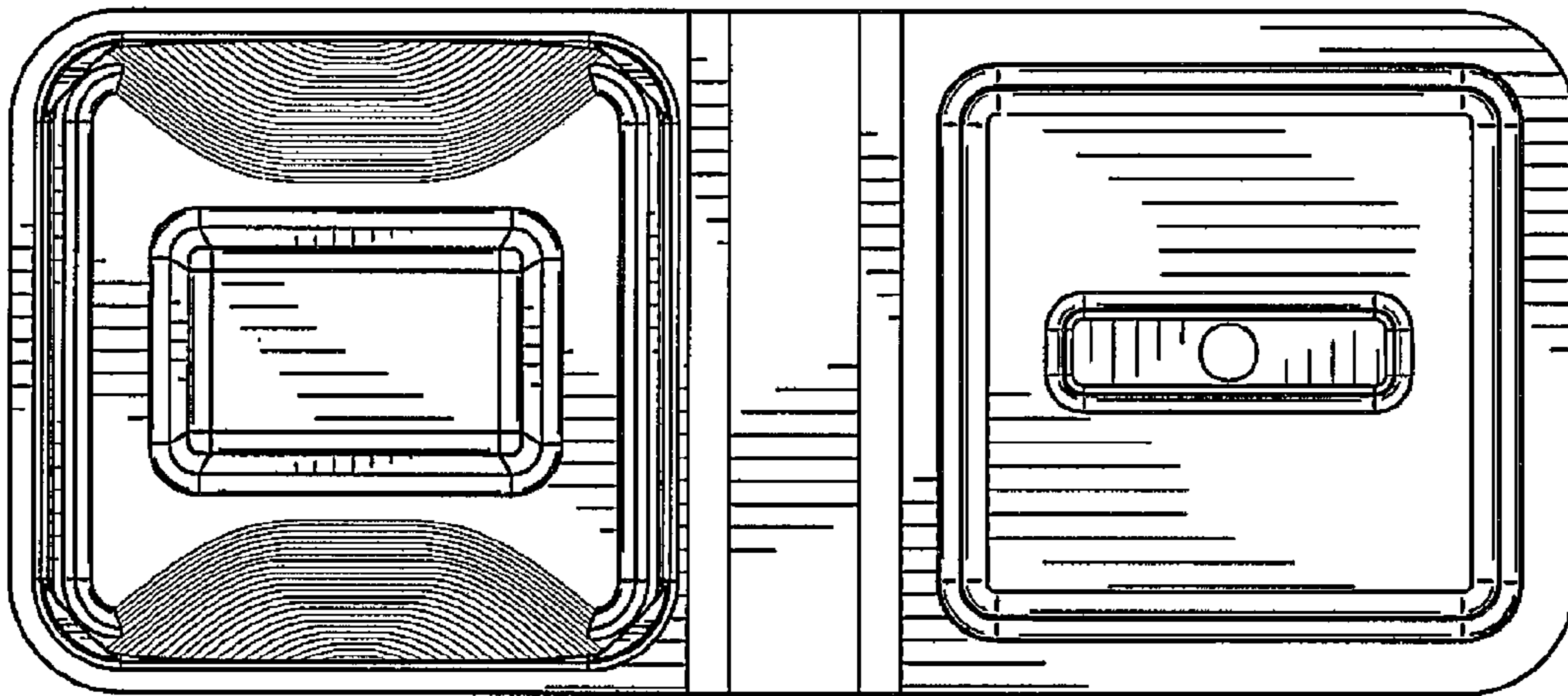


FIG. 4

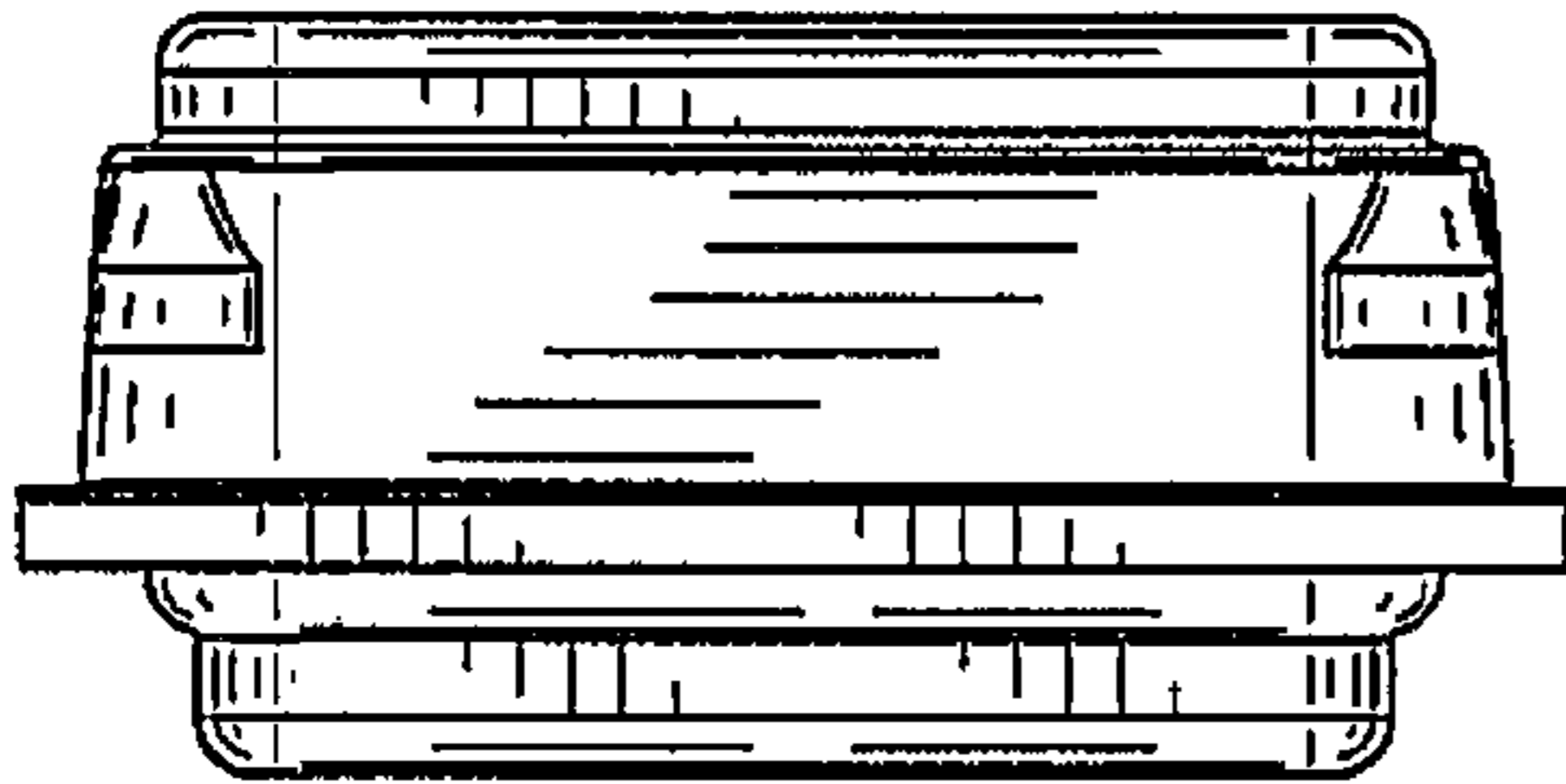


FIG. 5

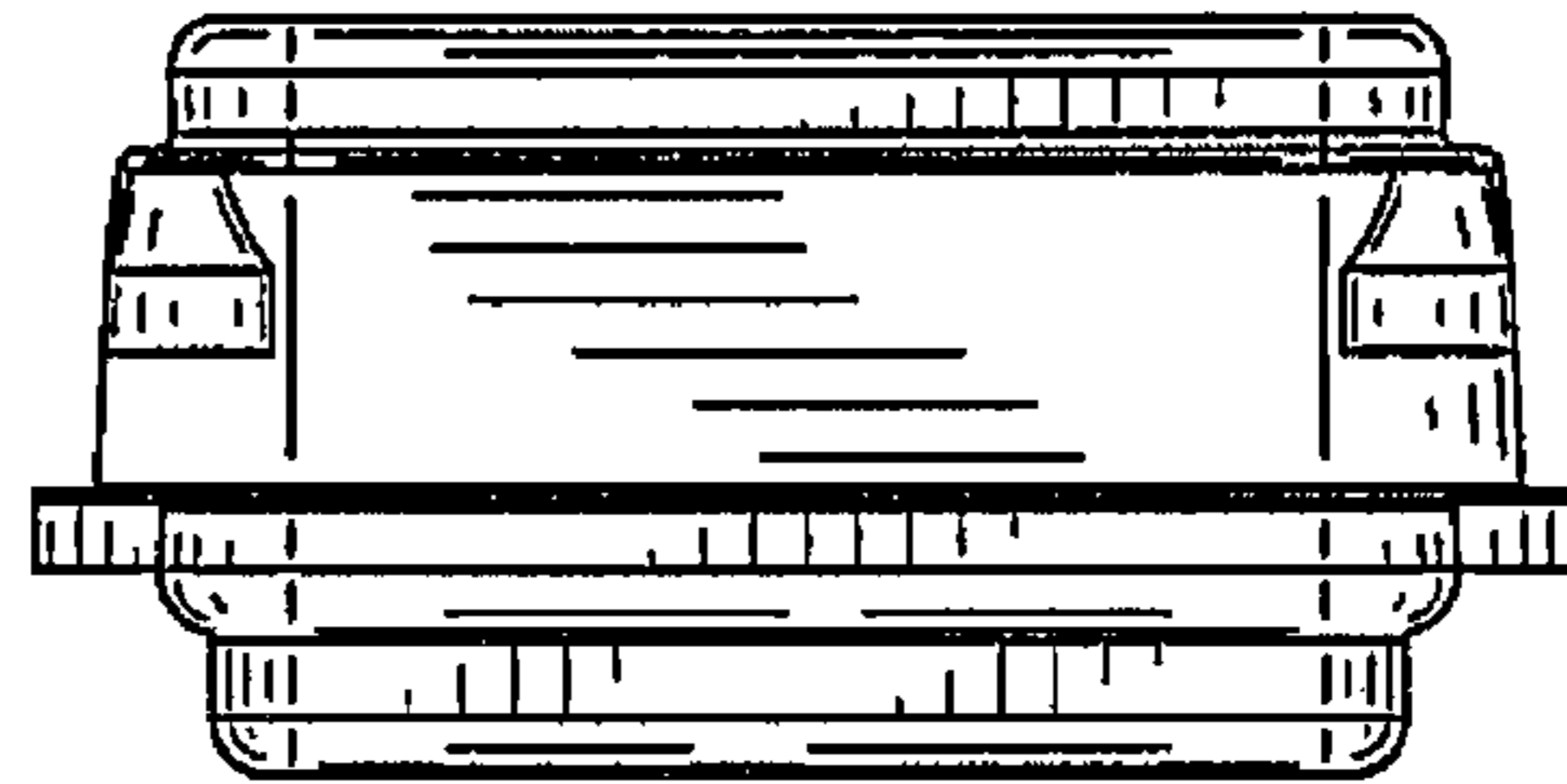


FIG. 6

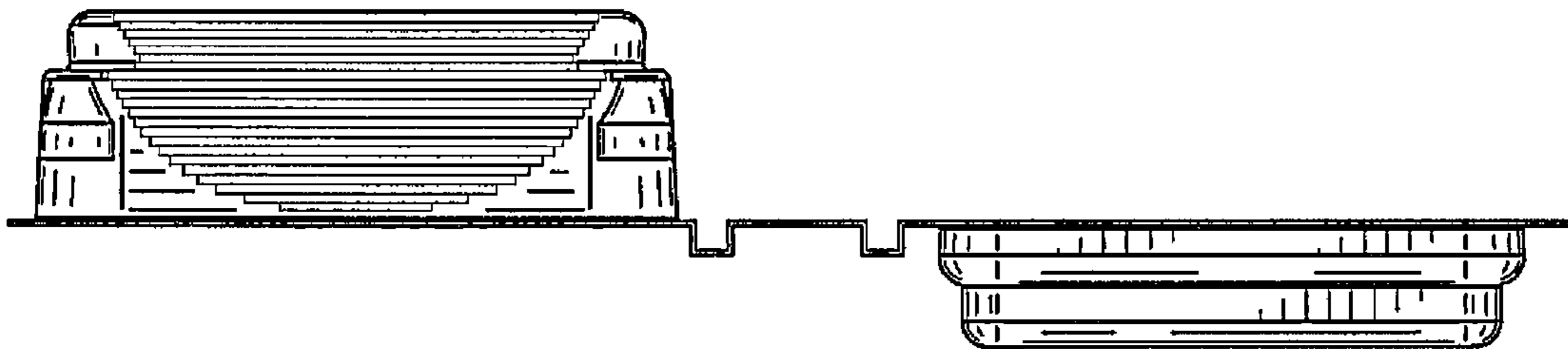


FIG. 7

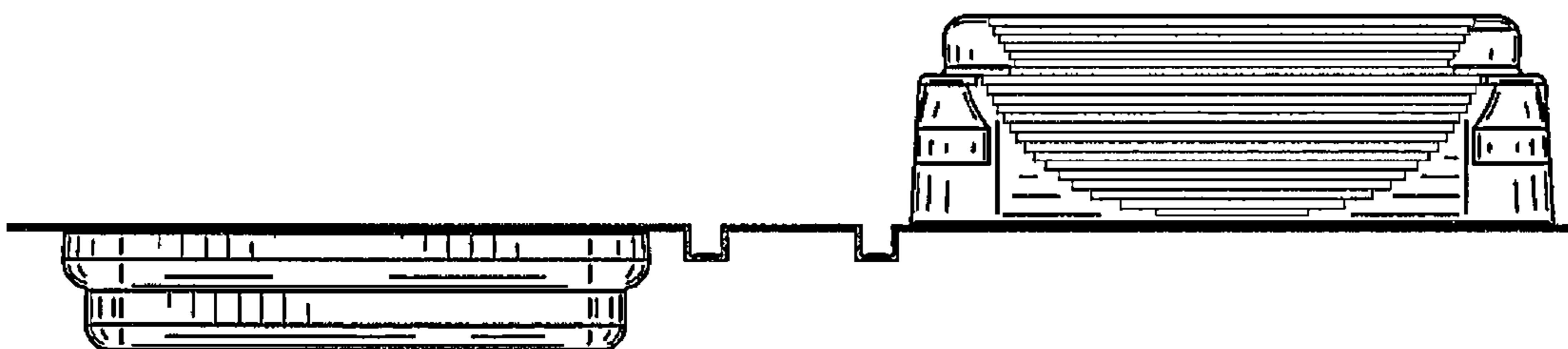


FIG. 8

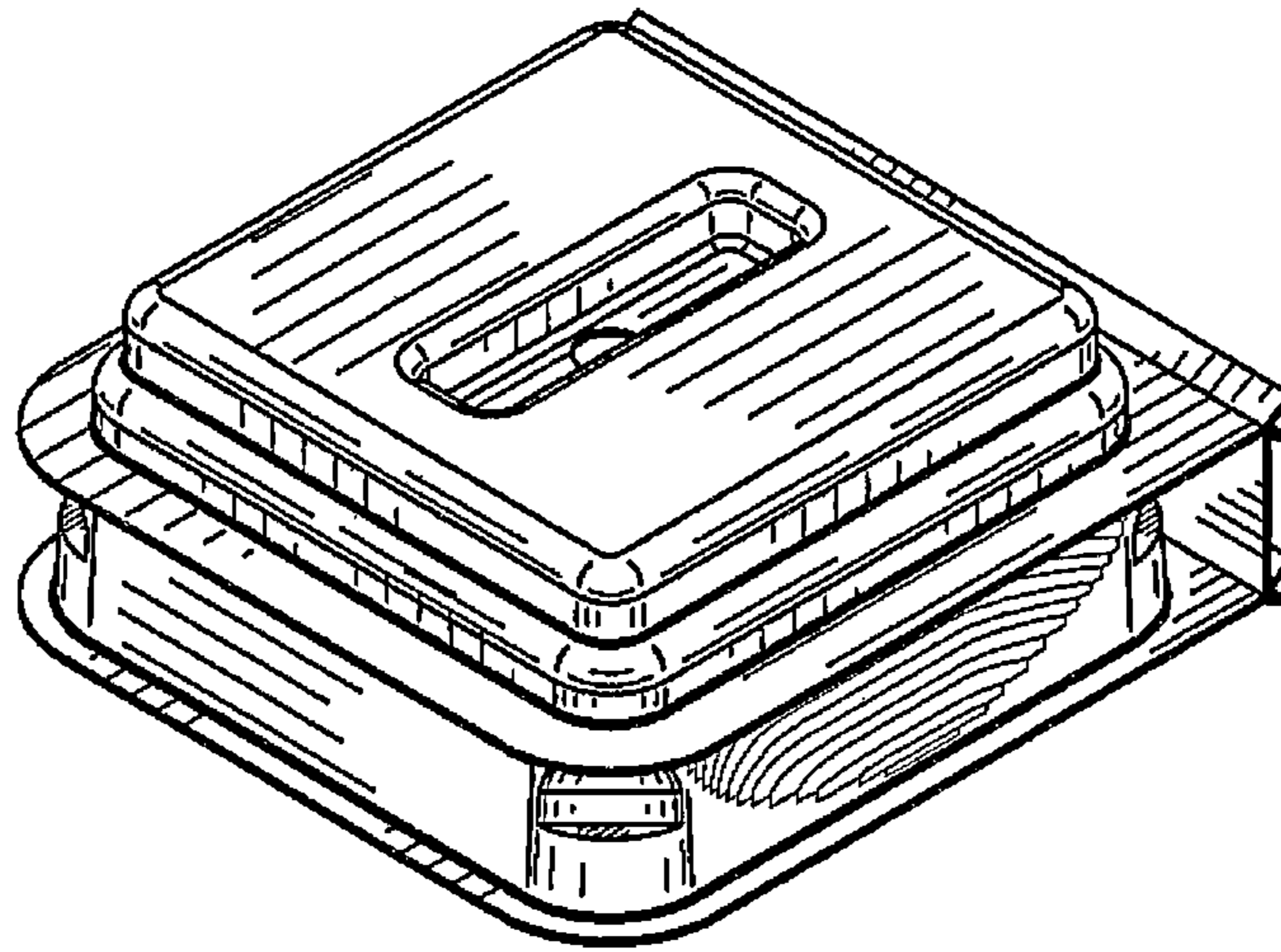


FIG. 9

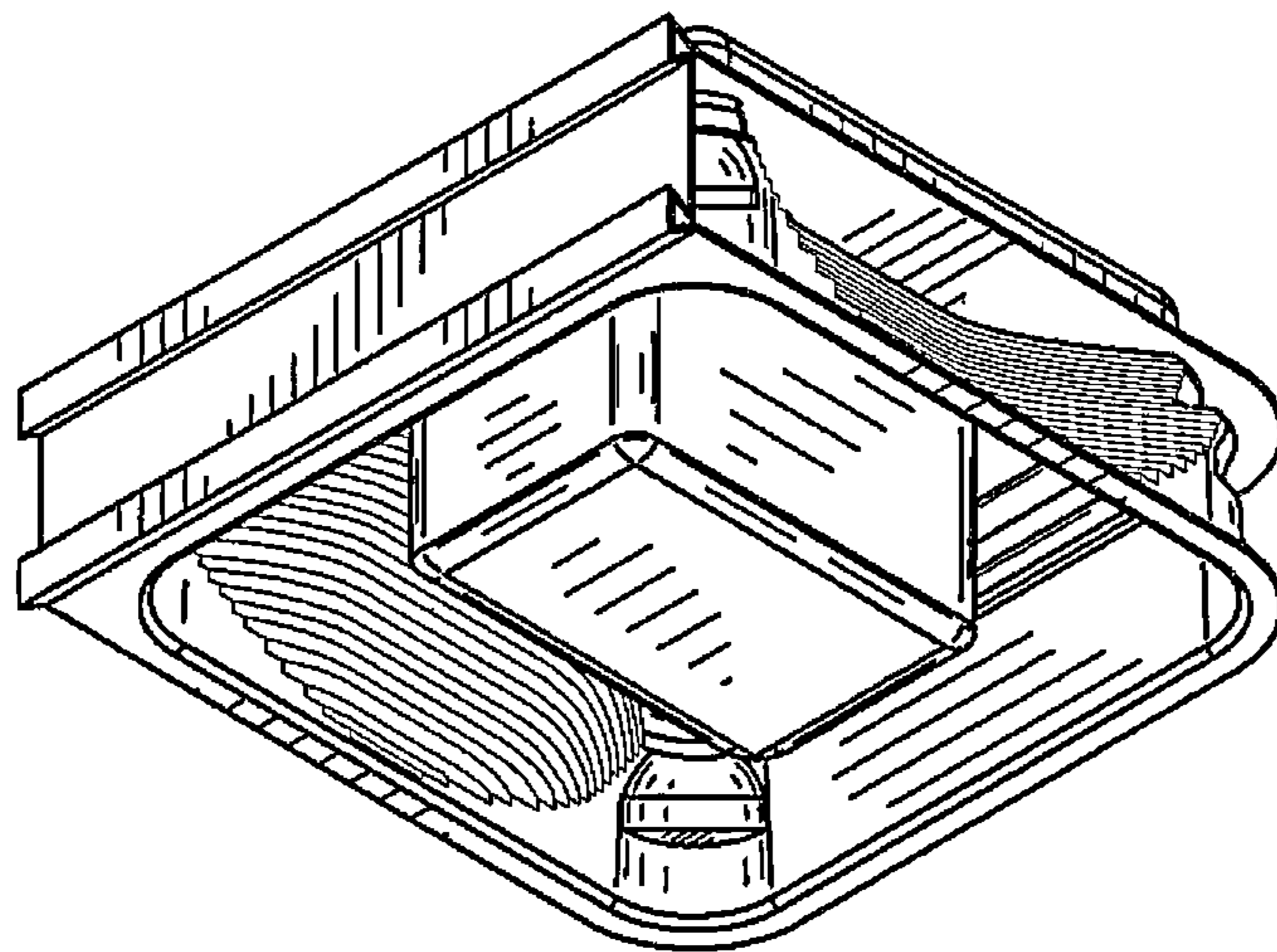


FIG. 10

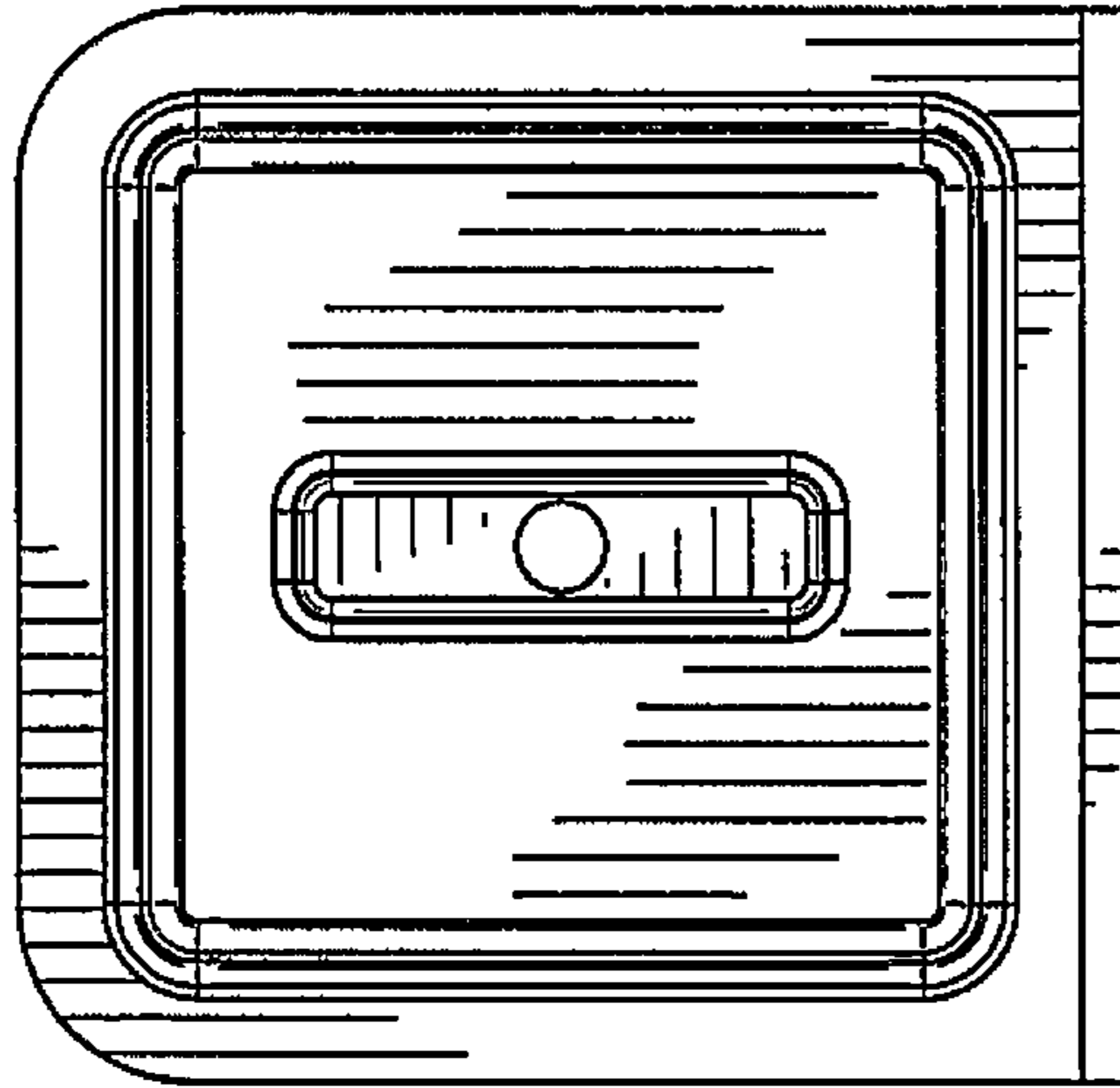


FIG. 11

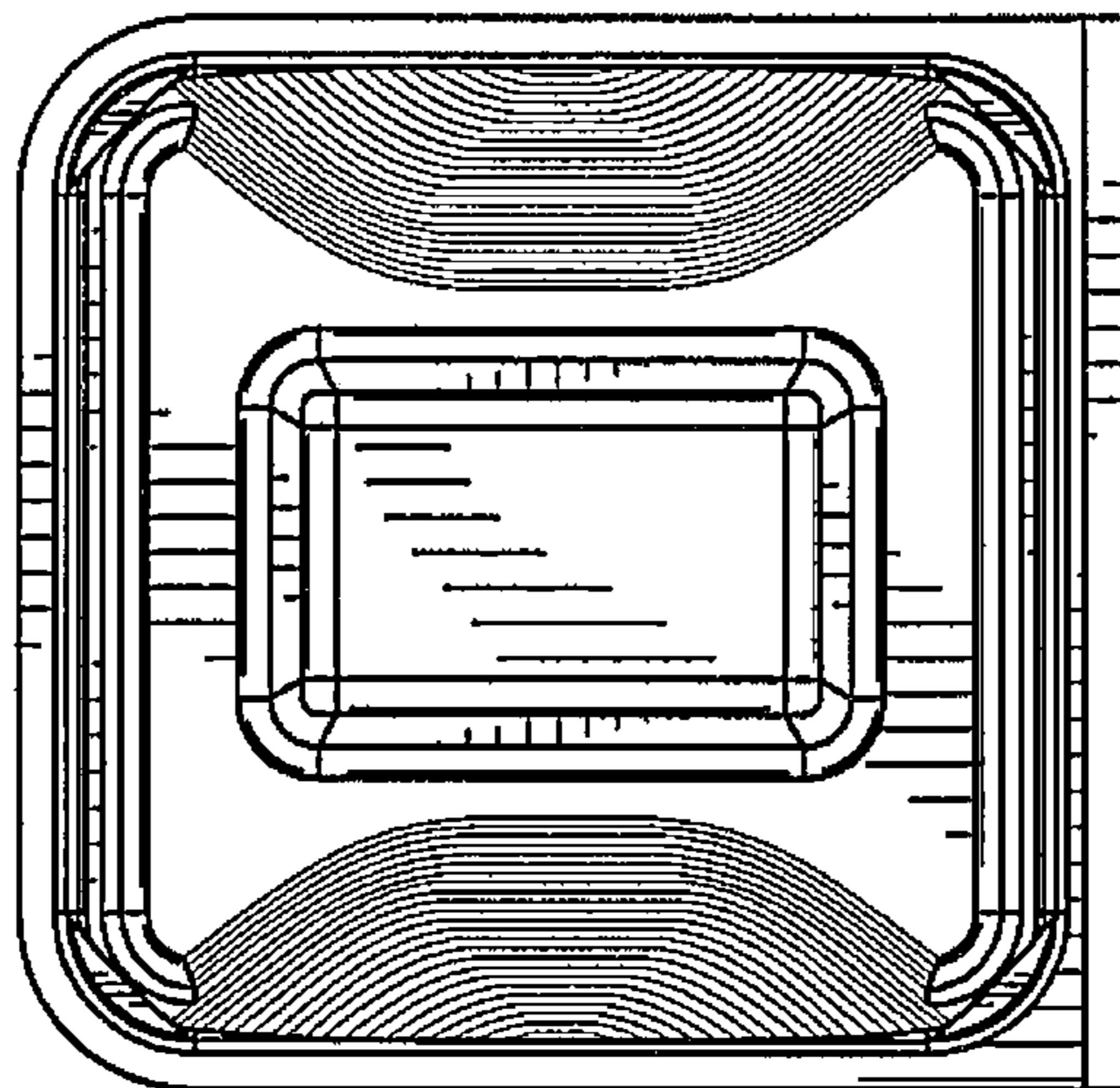


FIG. 12

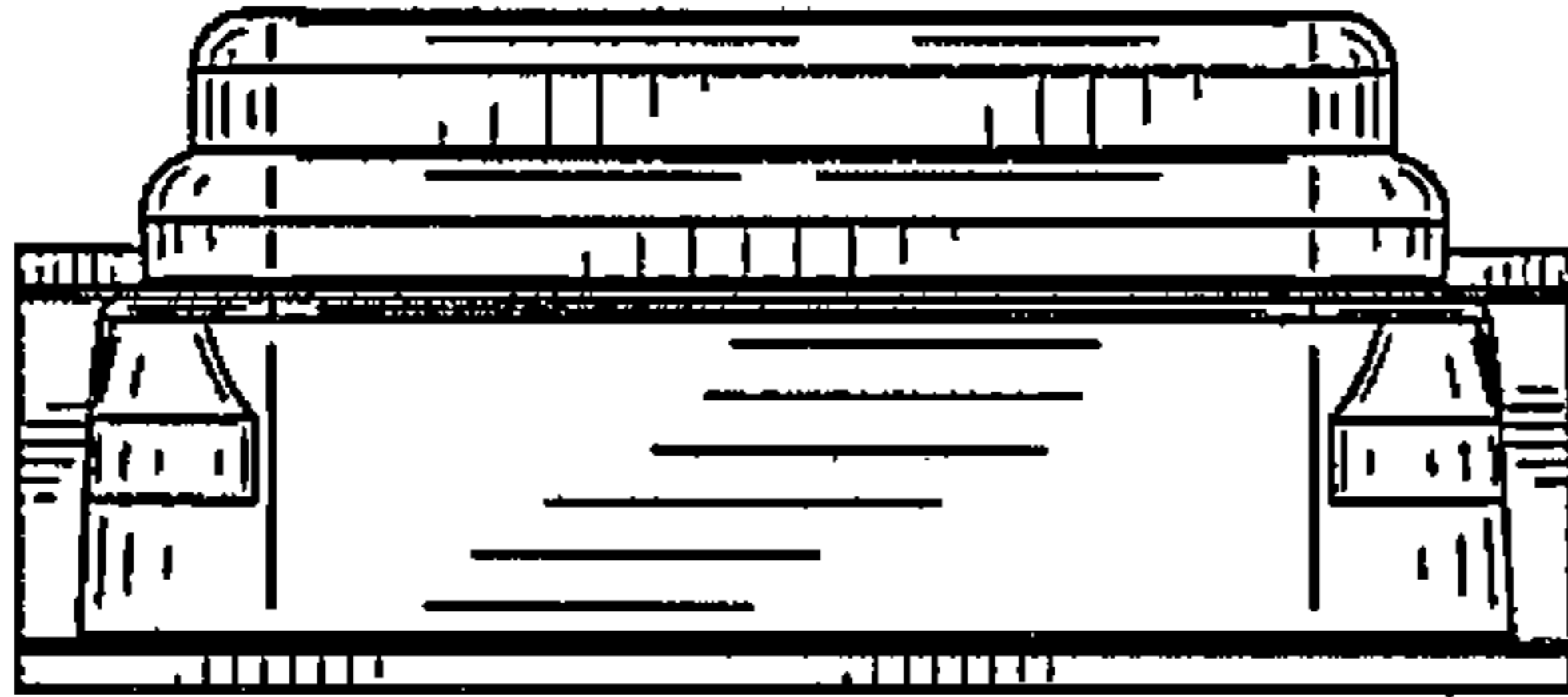


FIG. 13

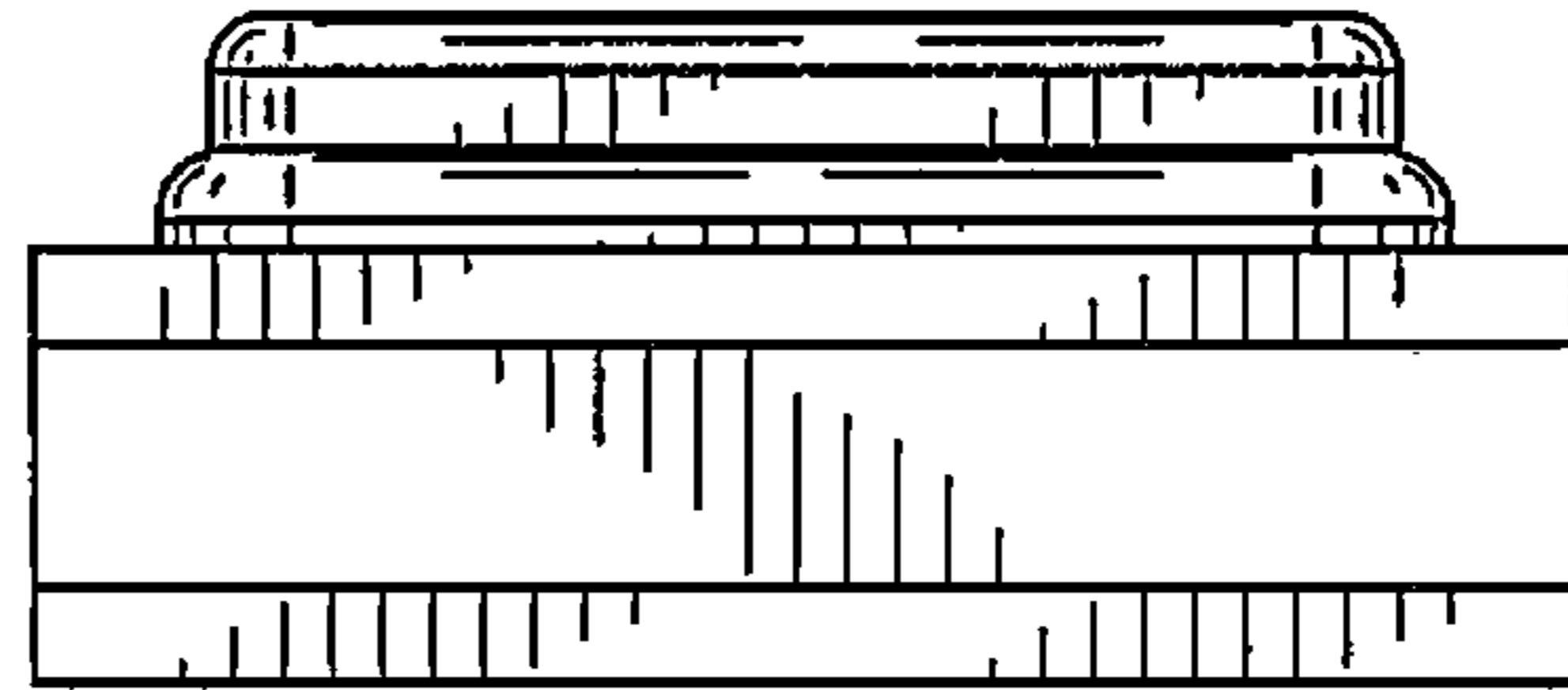


FIG. 14

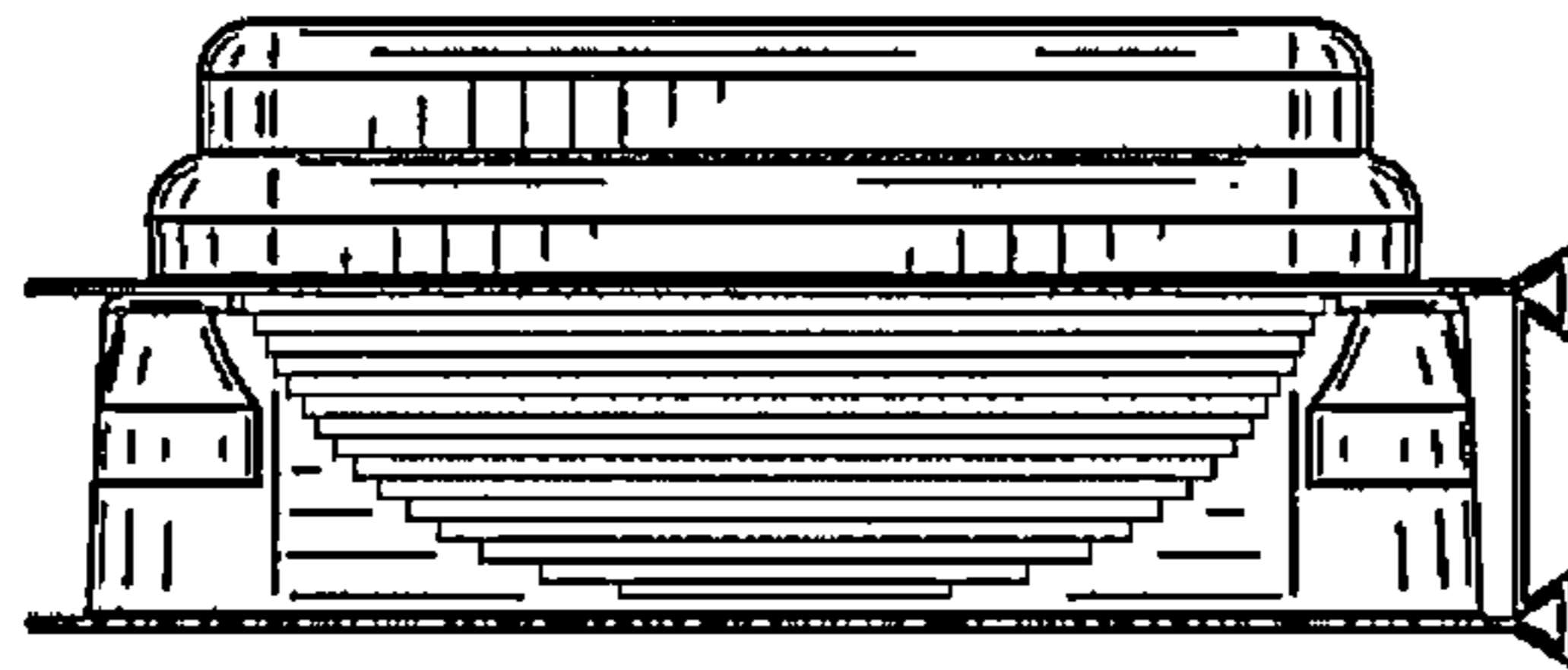


FIG. 15

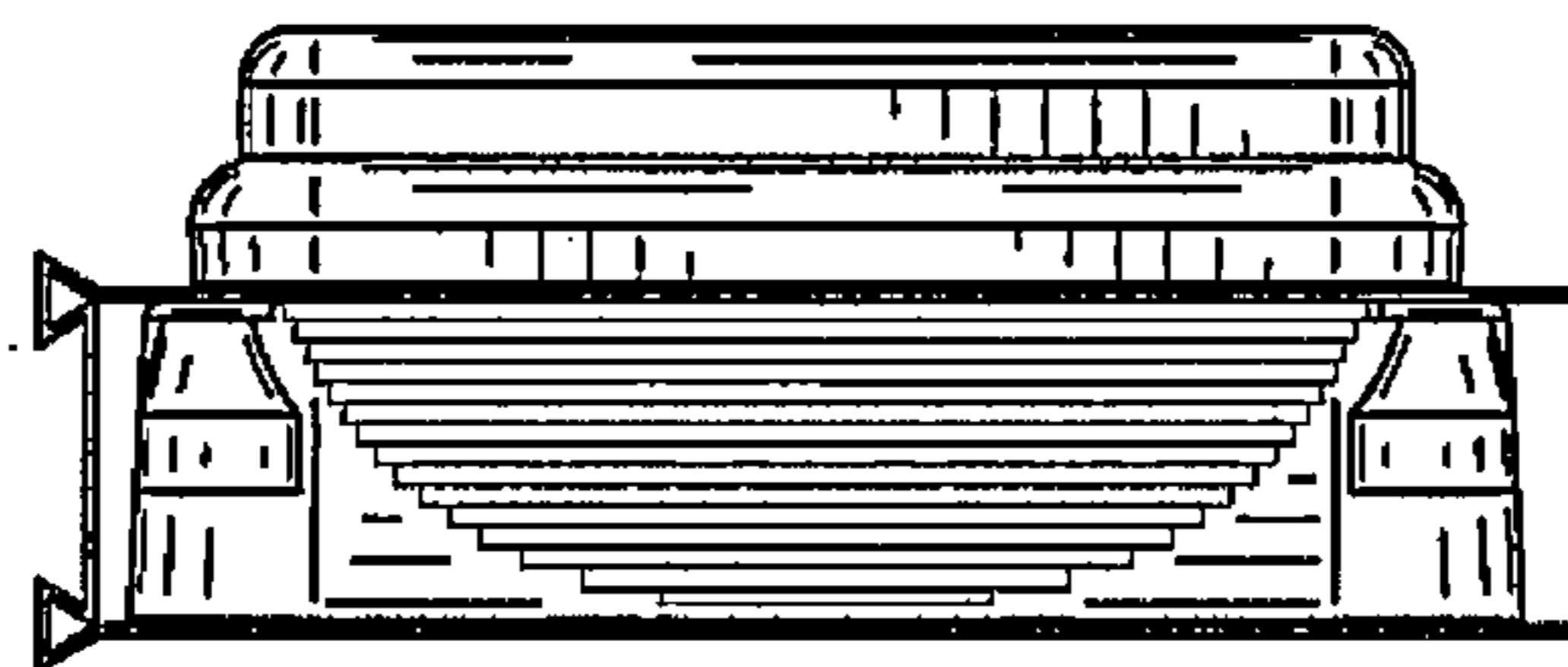


FIG. 16