



US00D686688S

(12) **United States Design Patent**
Vinano

(10) **Patent No.:** **US D686,688 S**
(45) **Date of Patent:** **** Jul. 23, 2013**

(54) **WEARABLE ELECTRONIC SHARK
DETERRENT UNIT**

Primary Examiner — Catheri Oliver-Garcia
(74) *Attorney, Agent, or Firm* — Leighton K. Chong

(75) Inventor: **Wilson Vinano**, Honolulu, HI (US)

(73) Assignee: **ZTOA Innovations, LLC**, Honolulu, HI (US)

(57) **CLAIM**

The ornamental design for a wearable electronic shark deterrent unit, as shown and described.

(**) Term: **14 Years**

(21) Appl. No.: **29/396,968**

DESCRIPTION

(22) Filed: **Jul. 8, 2011**

(51) **LOC (9) Cl.** **22-06**

(52) **U.S. Cl.**
USPC **D22/120; D3/221**

(58) **Field of Classification Search**
USPC D22/119–124; D3/215, 221, 224,
D3/226, 228; D10/106.1, 106.6; 119/908
See application file for complete search history.

FIG. 1 is a rear perspective view of my new design for a wearable electronic shark deterrent unit;
FIG. 2 is a front perspective view of the article shown in FIG. 1;
FIG. 3 is a front elevation view of the article shown in FIG. 1;
FIG. 4 is a rear elevation view of the article shown in FIG. 1;
FIG. 5 is a right side view of the article shown in FIG. 1, with the left side view being a mirror image thereof;
FIG. 6 is a top plan view of the article shown in FIG. 1;
FIG. 7 is a bottom plan view of the article shown in FIG. 1;
and,
FIG. 8 is a perspective view of the article in FIG. 1 shown in its intended environment of use. The broken line showing of environment in FIG. 8 is included for the purpose of illustration only and forms no part of the claimed design.

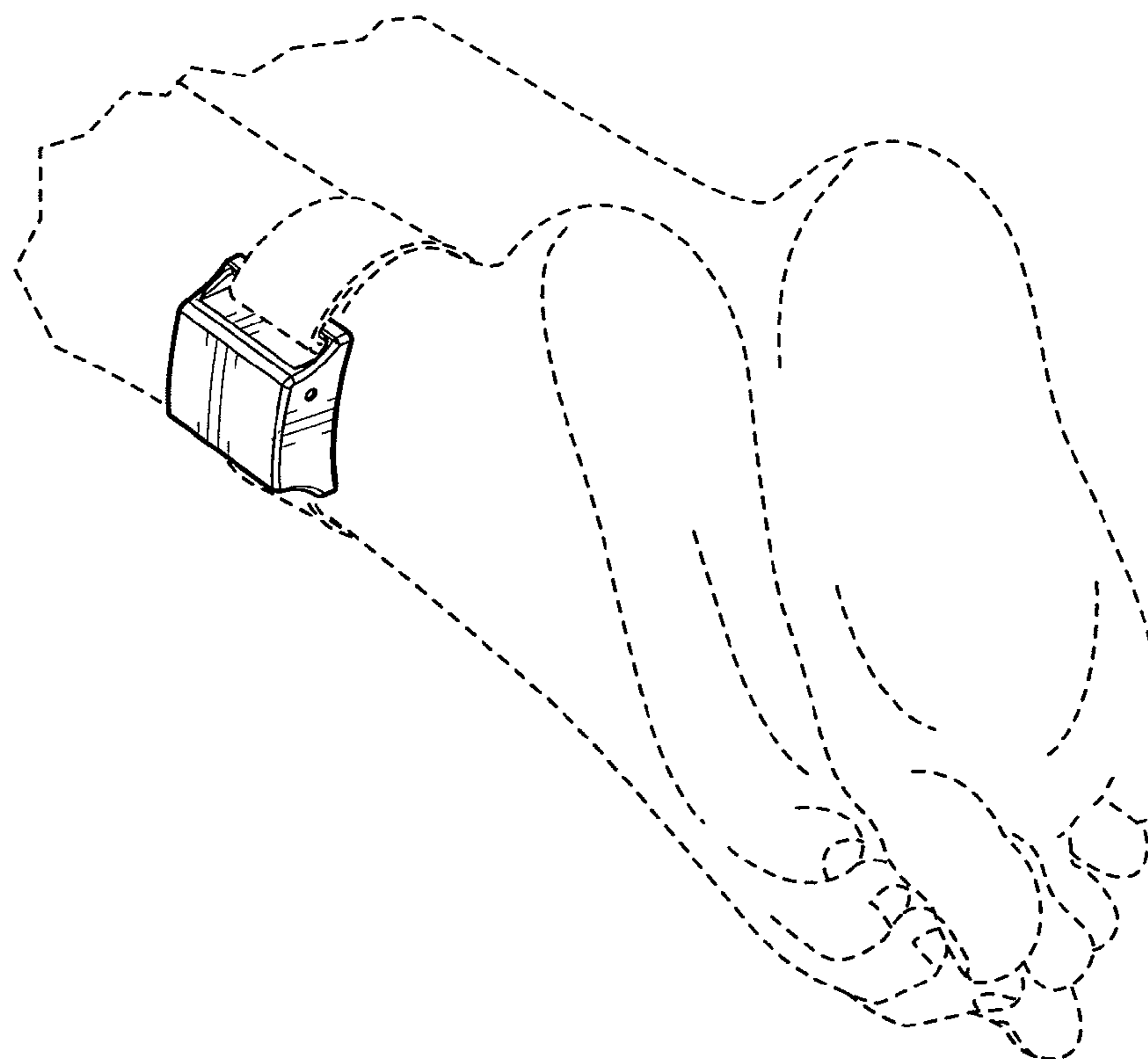
(56) **References Cited**

U.S. PATENT DOCUMENTS

D237,428 S * 11/1975 Baker D3/226
D410,990 S * 6/1999 Hesser D22/120
D480,556 S * 10/2003 Byard D3/215

* cited by examiner

1 Claim, 4 Drawing Sheets



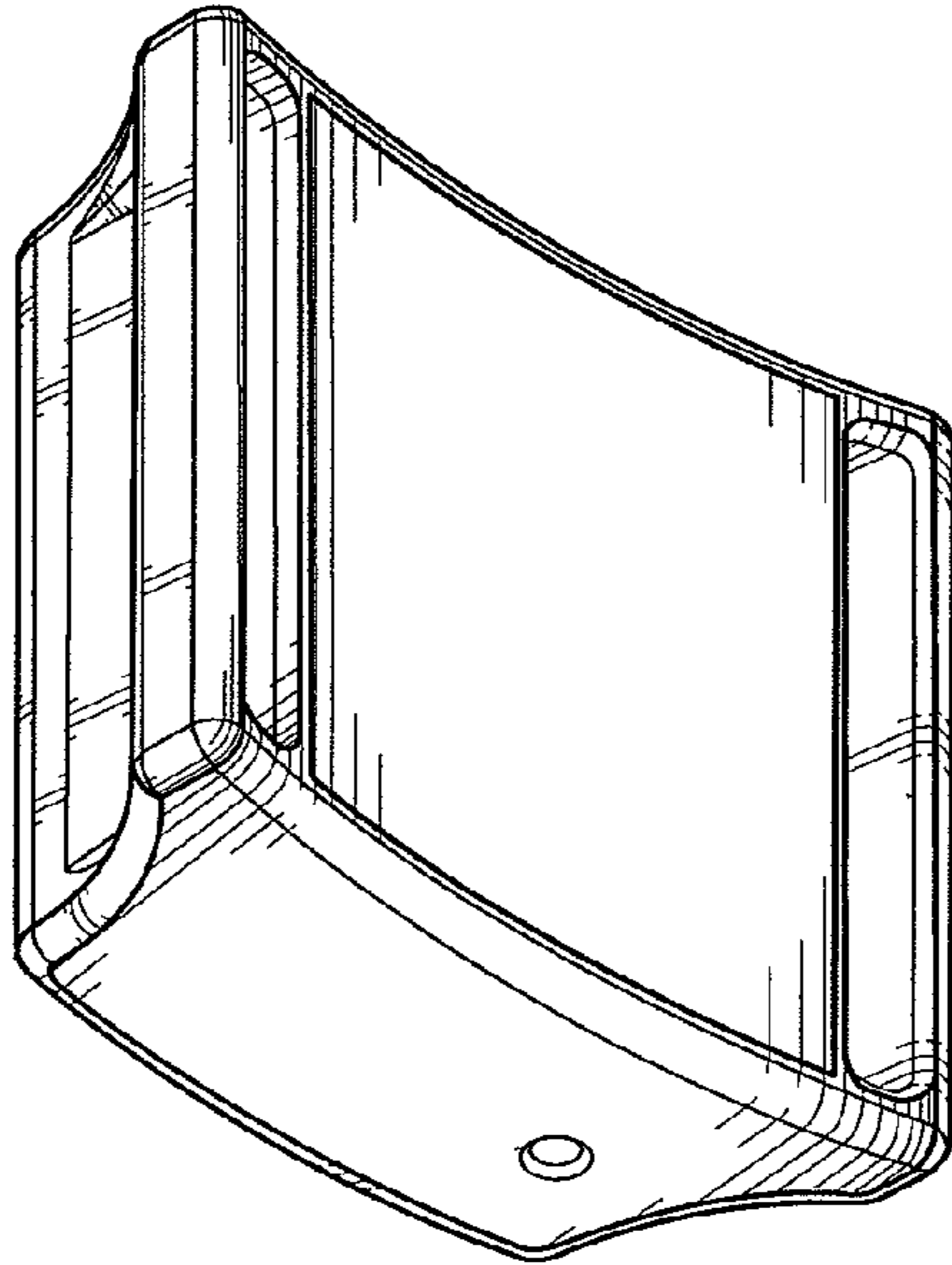


FIG. 1

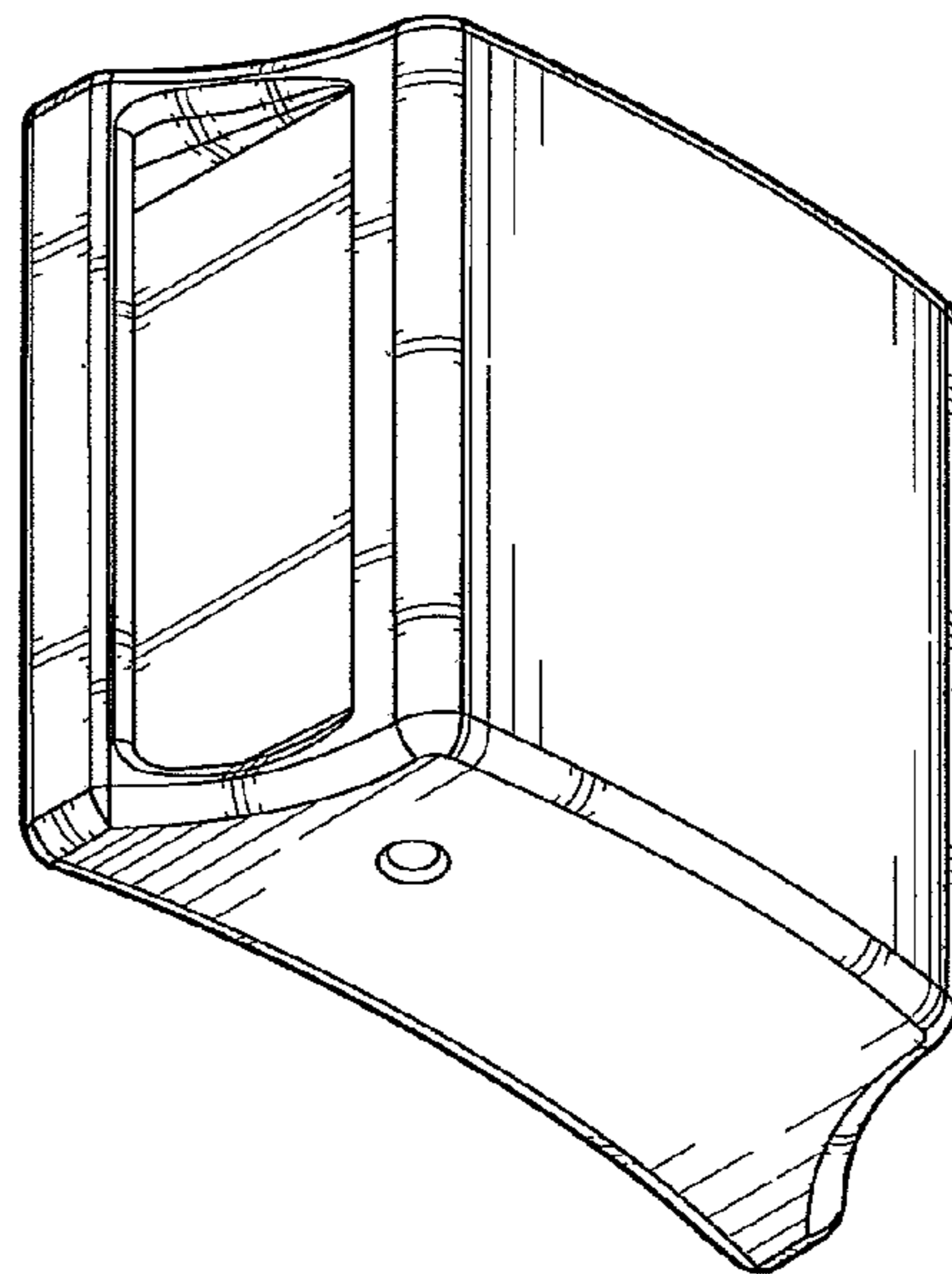


FIG. 2

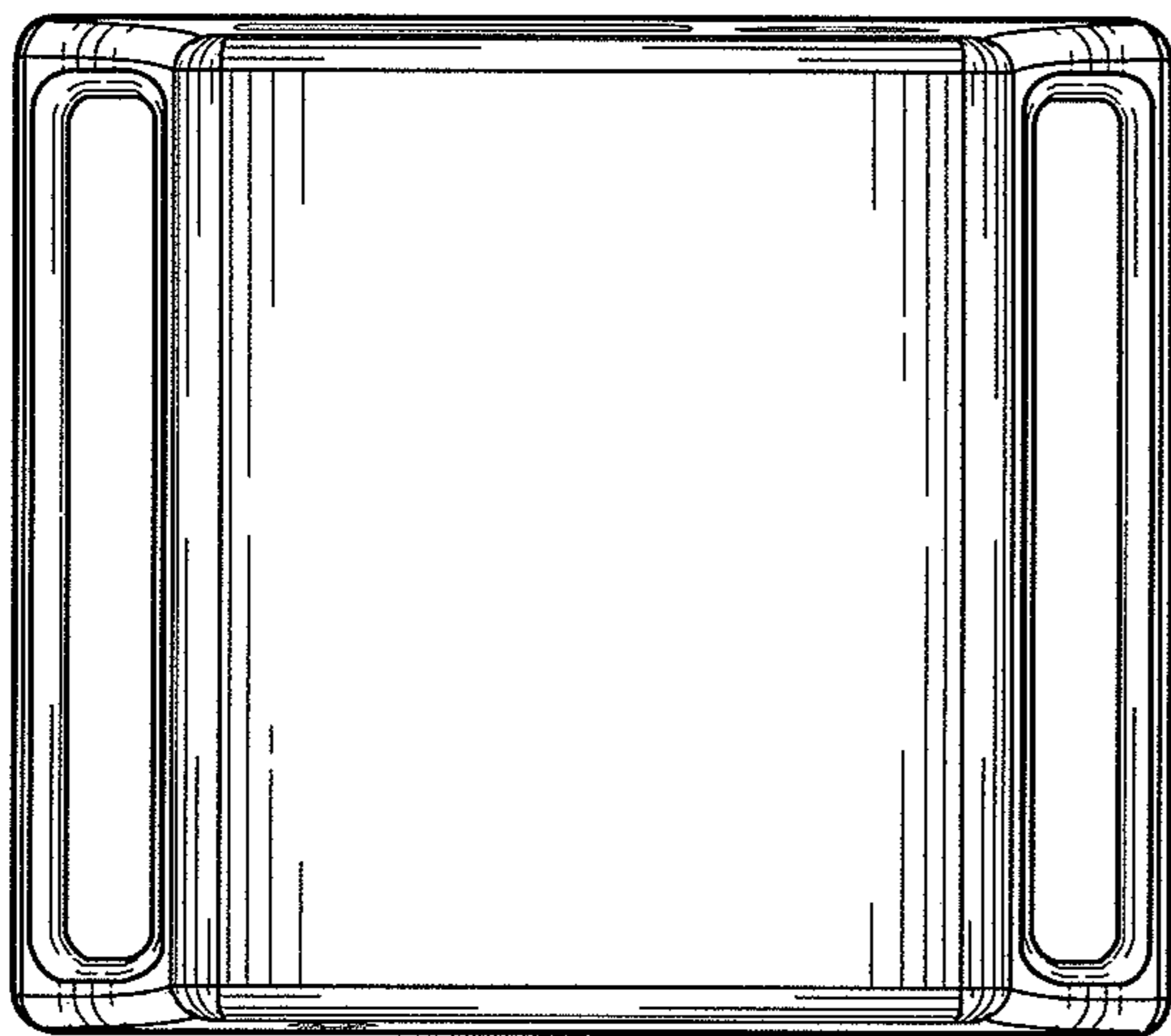


FIG. 3

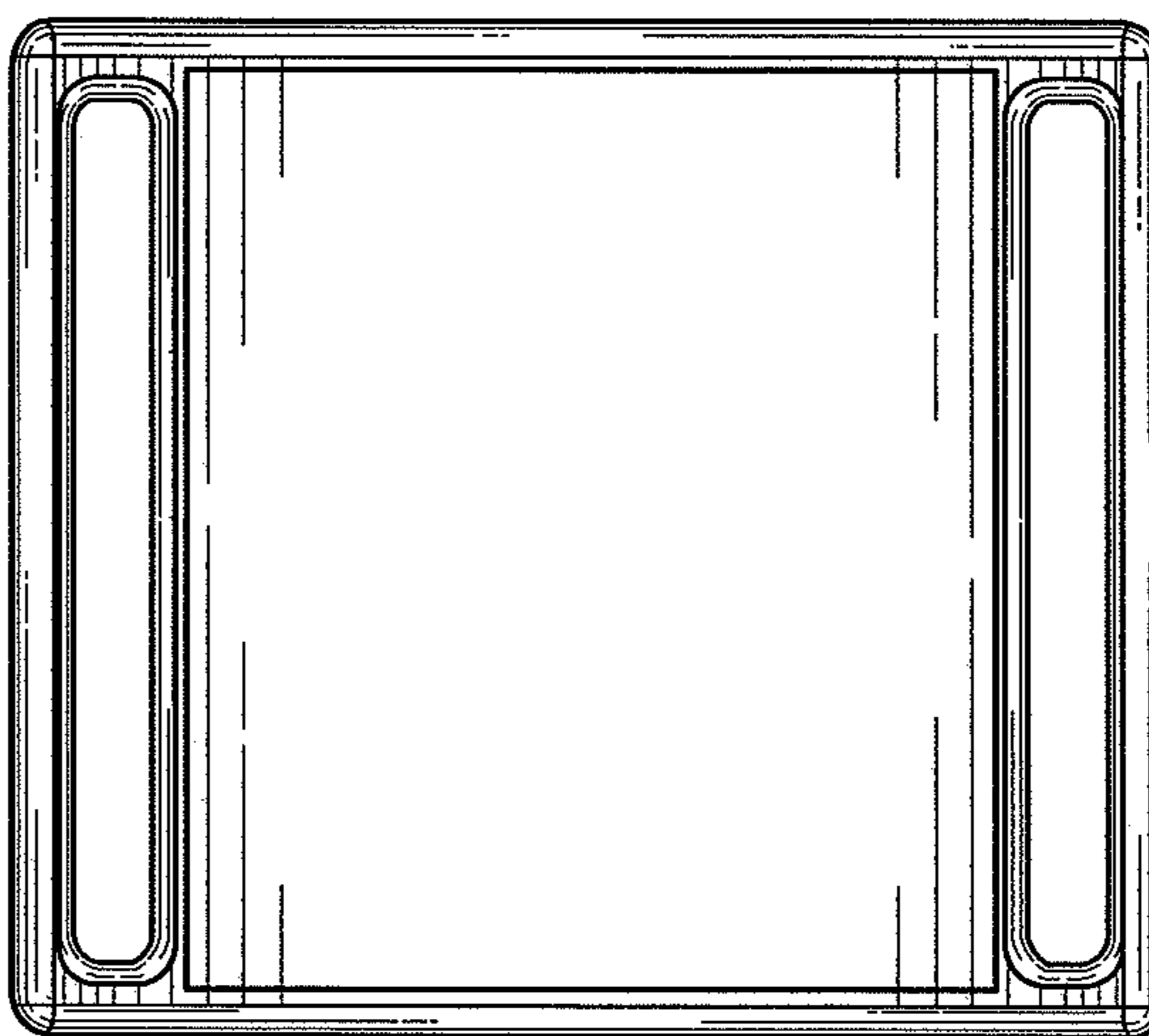


FIG. 4

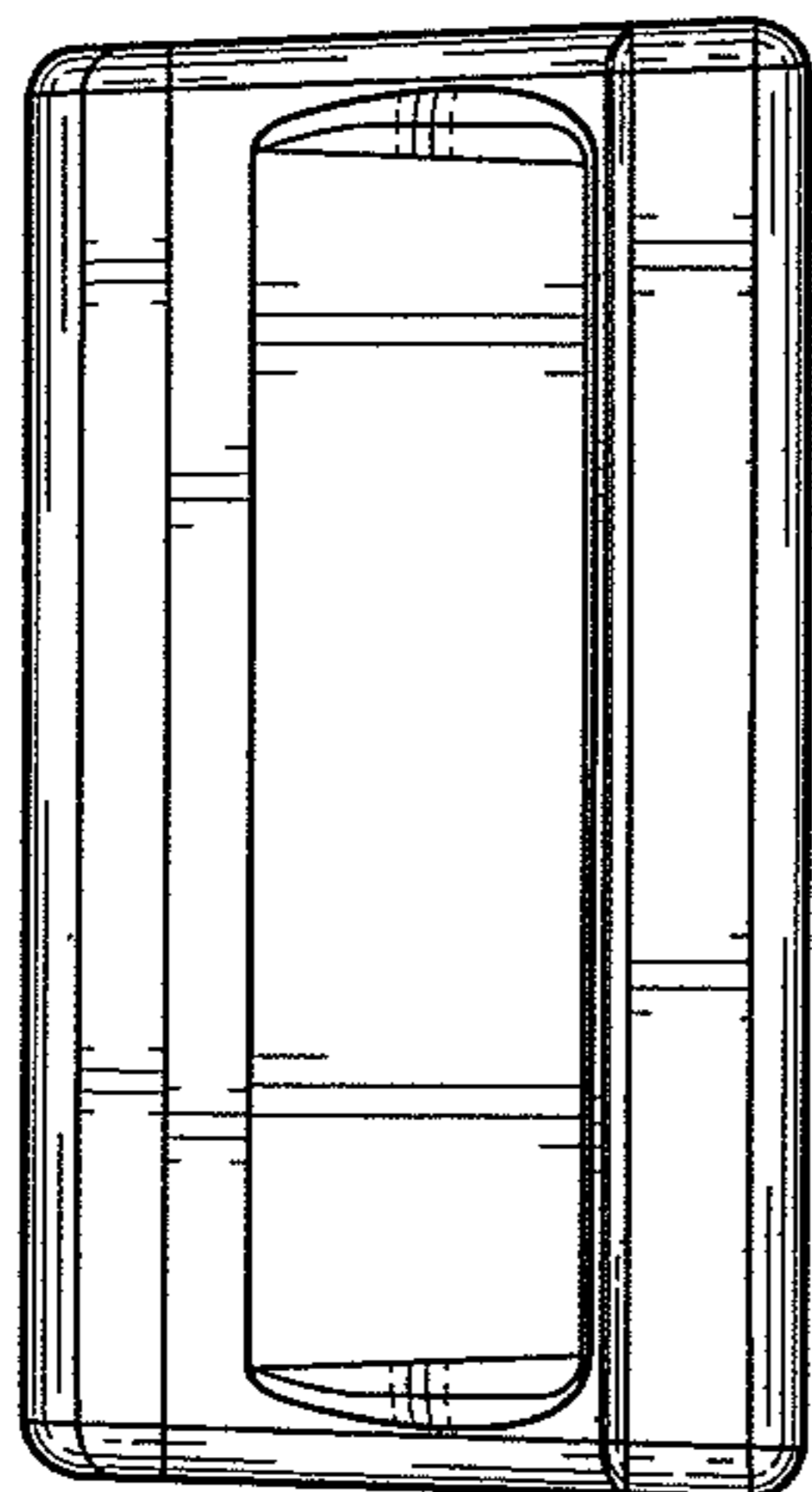


FIG. 5

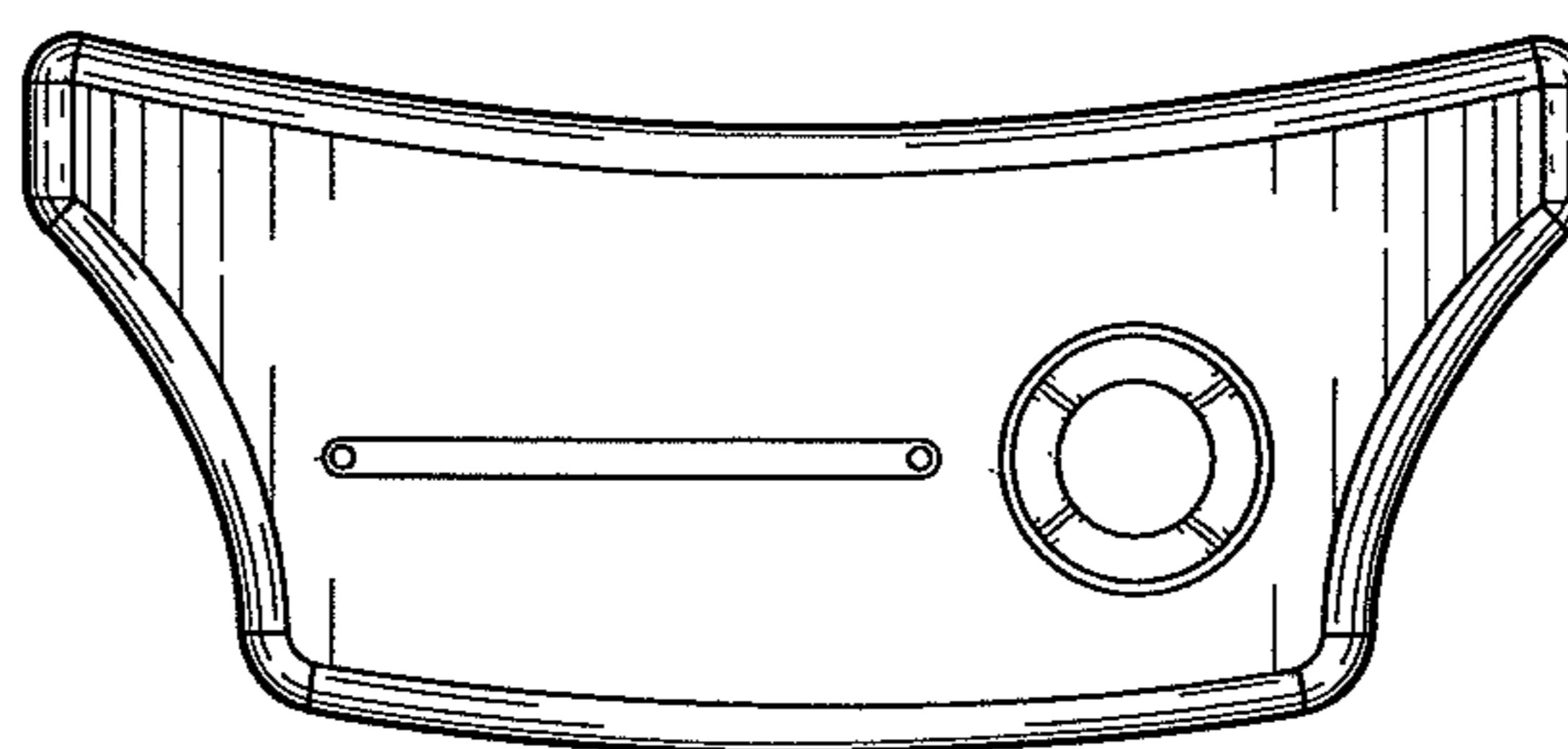


FIG. 6

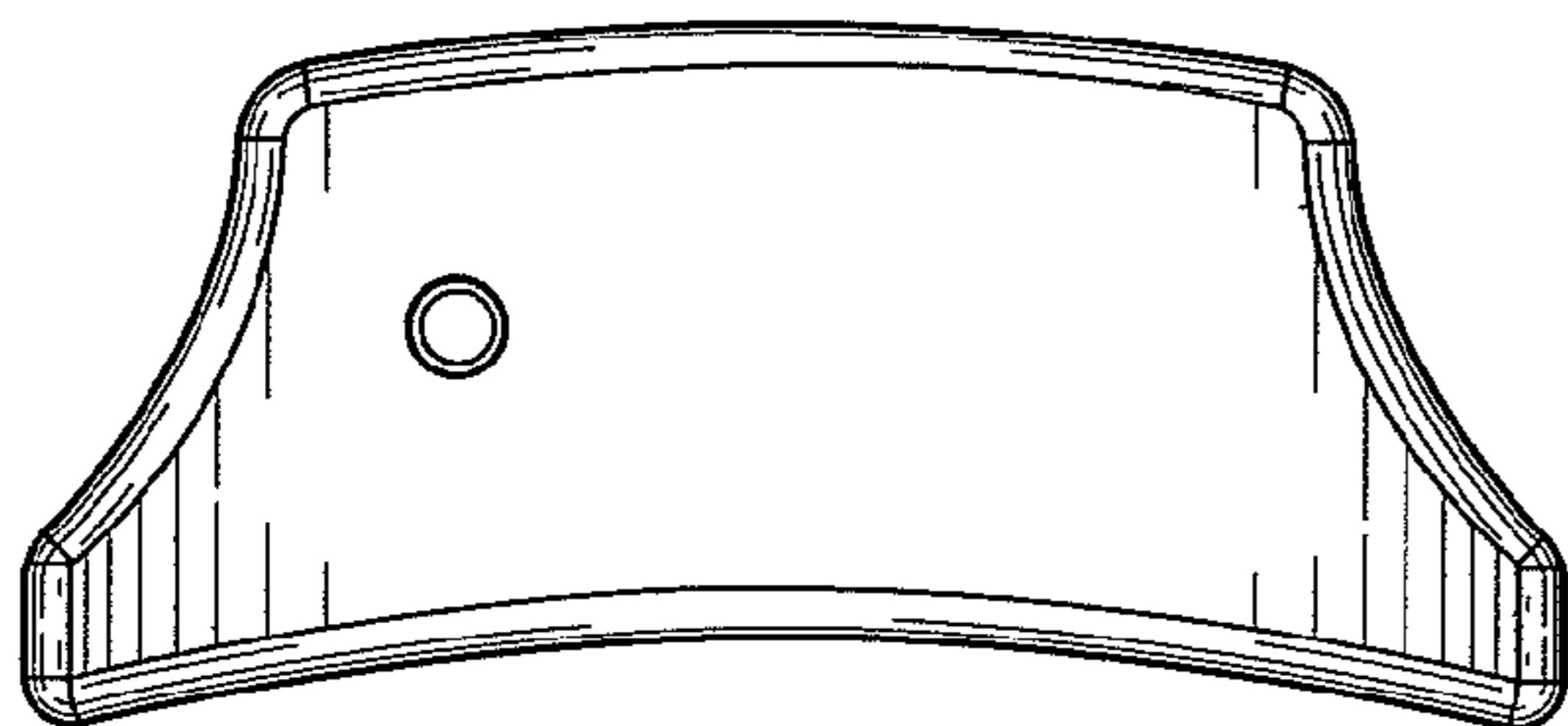


FIG. 7

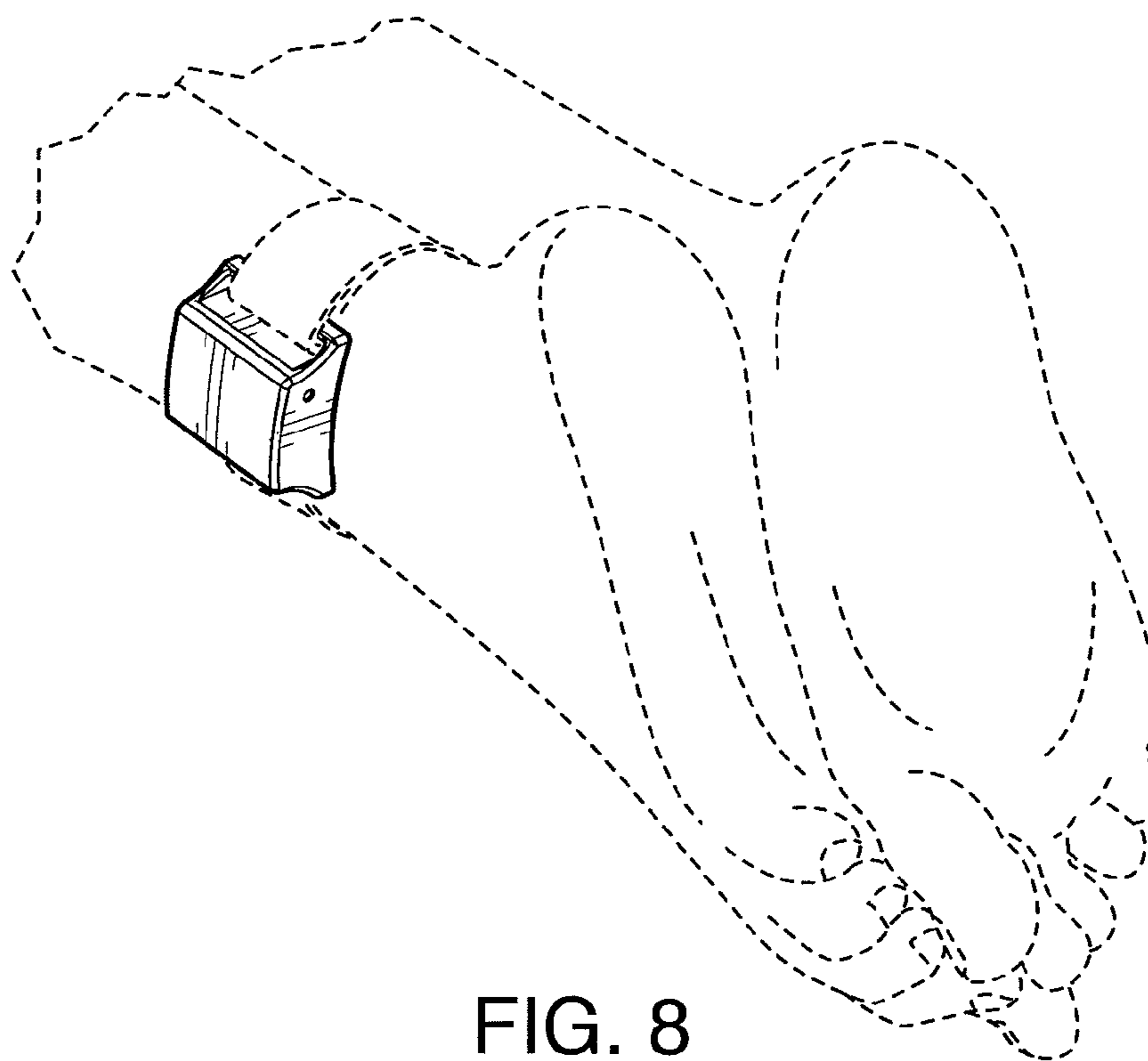


FIG. 8