



US00D686685S

(12) **United States Design Patent**  
**Kohout**

(10) **Patent No.:** **US D686,685 S**  
(45) **Date of Patent:** **\*\* Jul. 23, 2013**

(54) **TWO SHOT PISTOL**  
(75) Inventor: **Raymond B. Kohout**, Lake Ozark, MO (US)  
(73) Assignee: **DoubleTap Defense, LLC**, St. Louis, MO (US)  
(\*\*) Term: **14 Years**

4,155,187 A \* 5/1979 Lichtman ..... 42/11  
D263,413 S \* 3/1982 Hillberg ..... D22/104  
4,400,900 A 8/1983 Hillberg et al.  
4,416,078 A 11/1983 Hillberg  
D274,639 S \* 7/1984 Seminiano ..... D22/104  
4,489,515 A 12/1984 Numbers  
4,625,443 A 12/1986 Beretta  
4,646,458 A \* 3/1987 Stevens ..... 42/46  
4,697,368 A 10/1987 Williams  
4,722,148 A 2/1988 Walker

(Continued)

(21) Appl. No.: **29/409,263**

**OTHER PUBLICATIONS**

(22) Filed: **Dec. 21, 2011**

Certificate of Service, *Doubletap Defense LLC, et al. v. Heizer Aerospace, Inc., et al.*, Case No. 13SL-CC00012, Division No. 16, Apr. 1, 2013 (3 pages).

(51) **LOC (9) Cl.** ..... **22-01**

(Continued)

(52) **U.S. Cl.**  
USPC ..... **D22/104**

(58) **Field of Classification Search**  
USPC ..... D22/100, 104, 199; D21/145, 146, D21/147, 567, 572, 573-575; 42/40, 41, 42/42.01, 42.02, 42.03, 43, 44, 45, 57, 69.01, 42/71.02, 72, 31, 37; 124/31, 37; 362/110, 362/113

*Primary Examiner* — Michael A Pratt  
(74) *Attorney, Agent, or Firm* — Foley & Lardner LLP; Joseph Teja, Jr.; Moses A. Heyward

See application file for complete search history.

(57) **CLAIM**  
The ornamental design for a two shot pistol, as shown and described.

(56) **References Cited**

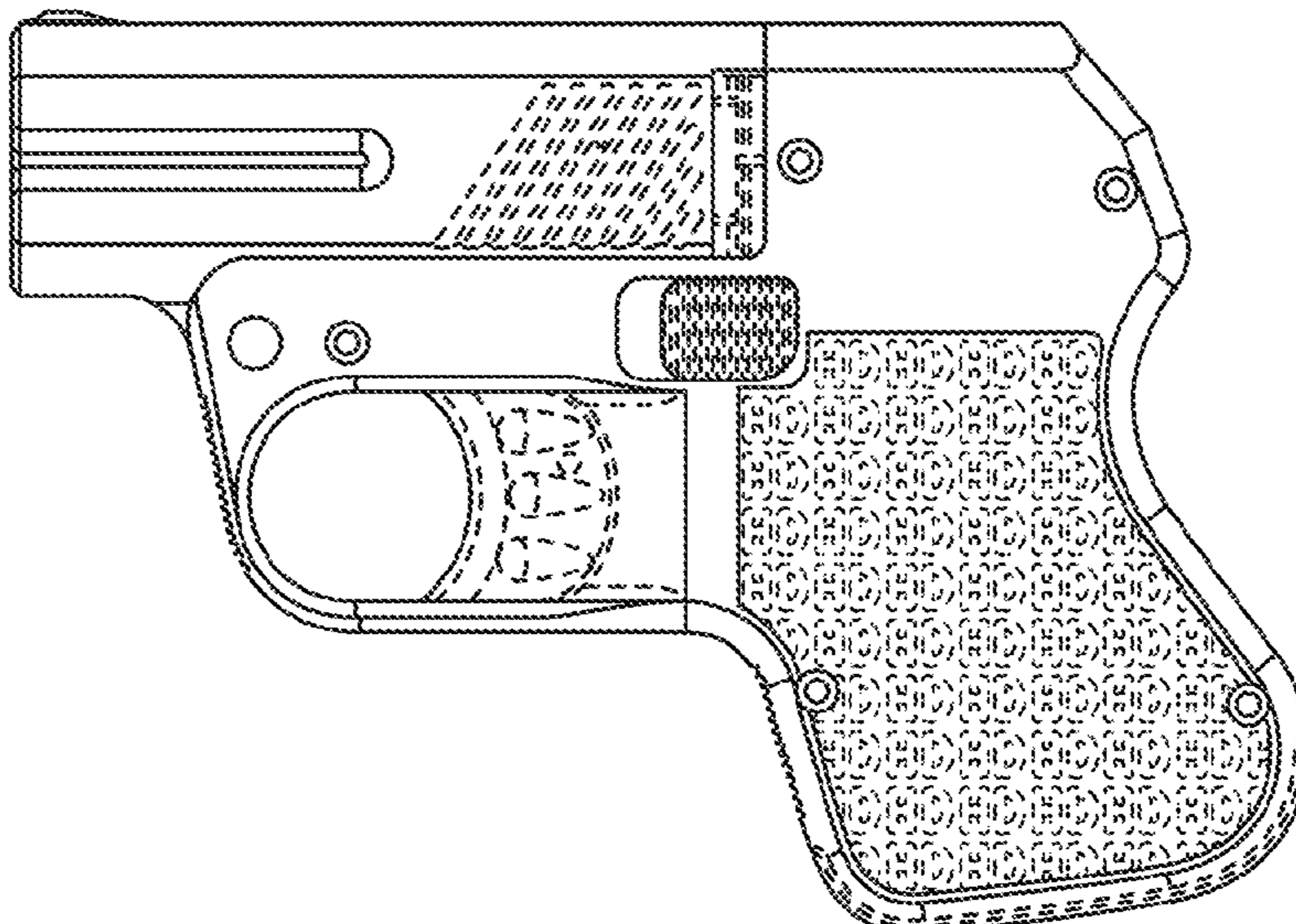
**DESCRIPTION**

**U.S. PATENT DOCUMENTS**

239,662 A	4/1881	Martin	
325,053 A	8/1885	Chuchu	
1,348,035 A	7/1920	Mossberg	
1,637,079 A	7/1927	Karner	
1,772,227 A *	8/1930	Revelli	42/13
D121,317 S *	7/1940	Dimick	D22/104
2,509,553 A	5/1950	Wylie	
2,805,507 A	9/1957	Buquor	
3,193,960 A	7/1965	Stevens	
3,209,480 A	10/1965	Mittelseadt	
3,352,046 A	11/1967	Warner	
3,597,870 A	8/1971	Block	
D225,847 S *	1/1973	Lichtman	D22/104
3,722,125 A	3/1973	Switzer	
D251,913 S *	5/1979	Romano	D22/104

FIG. 1 is a side view of a two shot pistol position showing my new design;  
FIG. 2 is a front view of the invention;  
FIG. 3 is a top elevation view of the invention;  
FIG. 4 is a perspective view of the barrel assembly of the invention; and,  
FIG. 5 is a side view of the invention with the barrel assembly of FIG. 4 show in an open, "tilted up" position.  
The broken line showing of portions of the two shot pistol is included for the purpose of illustrating environment and forms no part of the claimed design.

**1 Claim, 3 Drawing Sheets**



## U.S. PATENT DOCUMENTS

4,967,501	A	*	11/1990	Hunter	.....	42/69.01
5,225,611	A		7/1993	Scott		
5,421,114	A		6/1995	Bond et al.		
D400,633	S	*	11/1998	Chapman	.....	D22/104
6,854,205	B2		2/2005	Wikle et al.		
D651,275	S	*	12/2011	Emde et al.	.....	D22/104
2010/0139144	A1		6/2010	Fitzpatrick et al.		
2011/0072704	A1		3/2011	Teach et al.		
2013/0104436	A1		5/2013	Heizer		

## OTHER PUBLICATIONS

Certificate of Service, *Doubletap Defense LLC, et al. v. Heizer Aerospace, Inc., et al.*, Case No. 13SL-CC00012, Division No. 16, Jan. 25, 2013 (3 pages).

Certificate of Service, *Doubletap Defense LLC, f/k/a Heizer Technologies, LLC, and Central Holding Corp. v. Heizer Aerospace Inc., Heizer Defense, LLC, Charles K. Heizer, Thomas Heizer, Hedy Jane Heizer-Gahn, James Bruchas, and Rodney Mullins*, Case No. 13SL-CC00012, Division No. 16, Apr. 1, 2013 (4 pages).

Certificate of Service, *Doubletap Defense LLC, et al. v. Heizer Aerospace, Inc., et al.*, Case No. 13SL-CC00012, Division No. 16, Feb. 19, 2013 (3 pages).

Additional Counterclaim Defendants Ray Kohout and Marvin Dufner's Reply to Defendant's Verified Counterclaim and Plaintiff's First Amended Reply to Defendants' Verified Counterclaim, *Doubletap Defense LLC, f/k/a Heizer Technologies, LLC, and Central Holding Corp., a Missouri corporation v. Heizer Aerospace Inc. a Missouri corporation, Heizer Defense, LLC, a Missouri Limited Liability corporation, Charles K. Heizer, Thomas Heizer, Hedy Jane Heizer-Gahn, James Bruchas, and Rodney Mullins*, Case no. 13SL-CC00012, Division No. 16, Apr. 1, 2013 (15 pages).

Charles K. Heizers Objections and Answers to Plaintiffs First Interrogatories to Defendant Charles K. Heizer, *Doubletap Defense LLC, et al., Heizer Aerospace, Inc., et al.*, Case No. 13SL-CC00012, Division No. 16, Feb. 19, 2013 (40 pages).

Charles K. Heizers' Objections and Responses to Plaintiffs' First Request for Production of Documents to Defendant Charles K. Heizer, *Doubletap Defense LLC, et al., Heizer Aerospace, Inc., et al.*, Case No. 13SL-CC00012, Division No. 16, Feb. 19, 2013 (32 pages).

Consent Order, *Doubletap Defense LLC, et al., Plaintiffs/Counterclaim Defendants, Heizer Aerospace, Inc., et al., Defendants/Counterclaim Plaintiffs*, Case No. 13SL-CC00012, Division No. 16, Jan. 14, 2013 (2 pages).

Defendant Heizer Aerospace Inc.'s Objections and Answers to Plaintiffs First Interrogatories to Defendant Heizer Aerospace Inc., *Doubletap Defense LLC, et al., Plaintiffs/Counterclaim Defendants v. Heizer Aerospace, Inc., et al., Defendants/Counterclaim Plaintiffs*, Case No. 13SL-CC00012, Division No. 16, Feb. 19, 2013 (39 pages).

Defendant Heizer Defense, LLC's Objections and Answers to Plaintiffs First Interrogatories to *Defendant Heizer Defense, LLC, Doubletap Defense LLC, et al., Plaintiffs/Counterclaim Defendants v. Heizer Aerospace, Inc., et al., Defendants/Counterclaim Plaintiffs*, Case No. 13SL-CC00012, Division No. 16, Feb. 19, 2013 (40 pages).

Defendants Memorandum in Opposition to Plaintiffs Motion for Temporary Restraining Order, *Doubletap Defense LLC, et al., Plaintiffs/Counterclaim Defendants, Heizer Aerospace, Inc., et al., Defendants/Counterclaim Plaintiffs*, Case No. 13SL-CC00012, Division No. 16, Jan. 9, 2013 (44 pages).

Defendants/Counterclaim Plaintiffs First Request for Production of Documents Directed to Plaintiffs/Counterclaim Defendants and Additional Counterclaim Defendants, *Doubletap Defense LLC, et al., Plaintiffs/Counterclaim Defendants, Heizer Aerospace, Inc., et al., Defendants/Counterclaim Plaintiffs*, Case No. 13SL-CC00012, Division No. 16, Jan. 25, 2013, (13 pages).

Defendants/Counterclaim Plaintiffs First Request for Production of Documents Directed to Plaintiffs/Counterclaim Defendants and Additional Counterclaim Defendants, *Doubletap Defense LLC, et al., Plaintiffs/Counterclaim Defendants, Heizer Aerospace, Inc., et al., Defendants/Counterclaim Plaintiffs*, Case No. 13SL-CC00012, Division No. 16, Jan. 25, 2013(13 pages).

Defendants/Counterclaim Plaintiffs First Set of Interrogatories Directed to Plaintiffs/Counterclaim Defendants and Additional Counterclaim Defendants, *Doubletap Defense LLC, et al., Plaintiffs/Counterclaim Defendants, Heizer Aerospace, Inc., et al., Defendants/Counterclaim Plaintiffs*, Case No. 13SL-CC00012, Division No. 16, Jan. 25, 2013 (11 pages).

Defendants/Counterclaim Plaintiffs Motion to Dismiss Counts III, IV, VI and VII of Plaintiffs/Counterclaim Defendants Verified Petition, *Doubletap Defense LLC, et al., Plaintiffs/Counterclaim Defendants, Heizer Aerospace, Inc., et al., Defendants/Counterclaim Plaintiffs*, Case No. 13SL-CC00012, Division No. 16, Feb. 19, 2013 (15 pages).

Entry of Appearance, *Doubletap Defense LLC, et al., Plaintiffs/Counterclaim Defendants v. Heizer Aerospace, Inc., et al., Defendants/Counterclaim Plaintiffs*, Case No. 13SL-CC00012, Division No. 16, Jan. 9, 2013 (2 pages).

Entry of Appearance, *Doubletap Defense LLC, f/k/a Heizer Technologies, LLC, and Central Holding Corp., a Missouri corporation v. Heizer Aerospace Inc. a Missouri corporation, Heizer Defense, LLC, a Missouri Limited Liability corporation, Charles K. Heizer, Thomas Heizer, Hedy Jane Heizer-Gahn, James Bruchas, and Rodney Mullins*, Case No. 13SL-CC00012, Division No. 16, Feb. 21, 2013 (5 pages).

Hedy Heizer Gahn's Objections and Answer to Plaintiffs First Interrogatories to Defendant Hedy Heizer Gahn, *Doubletap Defense LLC, et al., Plaintiffs/Counterclaim Defendants v. Heizer Aerospace, Inc., et al., Defendants/Counterclaim Plaintiffs*, Case No. 13SL-CC00012, Division No. 16, Feb. 19, 2013 (40 pages).

Hedy Heizer Gahn's Objections and Responses to Plaintiffs' First Request for Production of Documents to Defendant Hedy Heizer, *Doubletap Defense LLC, et al., Plaintiffs v. Heizer Aerospace, Inc., et al., Defendants*, Case No. 13SL-CC00012, Division No. 16, Feb. 19, 2013(31 pages).

Heizer Aerospace Inc. Presentation at Jan. 9, 2013 Hearing (26 pages).

Heizer Aerospace Inc.'s Objections and Responses to Plaintiffs First Request for Production of Documents to Defendant Heizer Aerospace Inc., *Doubletap Defense LLC, et al., Plaintiffs/Counterclaim Defendants v. Heizer Aerospace, Inc., et al., Defendants/Counterclaim Plaintiffs*, Case No. 13SL-CC00012, Division No. 16, Feb. 19, 2013 (31 pages).

Heizer Defense, LLC's Objections and Responses to Plaintiffs First Request for Production of Documents to Defendant *Heizer Defense, LLC, Doubletap Defense LL, et al., Plaintiffs/Counterclaim Defendants v. Heizer Aerospace, Inc., et al., Defendants/Counterclaim Plaintiffs*, Case No. 13SL-CC00012, Division No. 16, Feb. 19, 2013 (32 pages).

James Bruchas's Objections and Answer to Plaintiffs First Interrogatories to Defendant *James Bruchas, Doubletap Defense LLC, et al., Plaintiffs v. Heizer Aerospace, Inc., et al., Defendants*, Case No. 13SL-CC00012, Division No. 16, Feb. 19, 2013 (17 pages).

James Bruchas's Objections and Responses to Plaintiffs First Request for Production of Documents to Defendant *James Bruchas, Doubletap Defense LLC, et al., Plaintiffs v. Heizer Aerospace, Inc., et al., Defendants*, Case No. 13SL-CC00012, Division No. 16, Feb. 19, 2013 (14 pages).

Memorandum, *Doubletap Defense LLC, f/k/a Heizer Technologies, LLC, and Central Holding Corp., a Missouri corporation v. Heizer Aerospace Inc. a Missouri corporation, Heizer Defense, LLC, a Missouri Limited Liability corporation, Charles K. Heizer, Thomas Heizer, Hedy Jane Heizer-Gahn, James Bruchas, and Rodney Mullins*, Case No. 13SL-CC00012, Division No. 16, Jan. 10, 2013 (18 pages).

Memorandum, *Doubletap Defense LLC, f/k/a Heizer Technologies, LLC, and Central Holding Corp., a Missouri corporation v. Heizer Aerospace Inc. a Missouri corporation, Heizer Defense, LLC, a Missouri Limited Liability corporation, Charles K. Heizer, Thomas Heizer, Hedy Jane Heizer-Gahn, James Bruchas, and Rodney Mullins*, Case No. 13SL-CC00012, Division No. 16, Jan. 10, 2013 (28 pages).

Memorandum, *Doubletap Defense LLC, f/k/a Heizer Technologies, LLC, and Central Holding Corp., a Missouri corporation v. Heizer Aerospace Inc. a Missouri corporation, Heizer Defense, LLC, a*



*Heizer, Hedy Jane Heizer-Gahn, James Bruchas, and Rodney Mullins*, Case No. 13SL-CC00012, Division No. 16, Jan. 3, 2013 (10 pages).

Plaintiffs Motion for Preliminary Injunction, *Doubletap Defense LLC, f/k/a Heizer Technologies, LLC, and Central Holding Corp., a Missouri corporation v. Heizer Aerospace Inc. a Missouri corporation, Heizer Defense, LLC, a Missouri Limited Liability corporation, Charles K. Heizer, Thomas Heizer, Hedy Jane Heizer-Gahn, James Bruchas, and Rodney Mullins*, Case No. 13SL-CC00012, Division No. 16, Jan. 2, 2013 (39 pages).

Plaintiffs Motion for Temporary Restraining Order, *Doubletap Defense LLC, f/k/a Heizer Technologies, LLC, and Central Holding Corp., a Missouri corporation v. Heizer Aerospace Inc. a Missouri corporation, Heizer Defense, LLC, a Missouri Limited Liability corporation, Charles K. Heizer, Thomas Heizer, Hedy Jane Heizer-Gahn, James Bruchas, and Rodney Mullins*, Case No. 13SL-CC00012, Division No. 16, Jan. 2, 2013 (40 pages).

Plaintiffs' Reply and Affirmative Defenses to Defendants' Verified Counterclaims, *Doubletap Defense LLC, f/k/a Heizer Technologies, LLC, and Central Holding Corp., a Missouri corporation, Plaintiffs/Counterclaim Defendants, v. Heizer Aerospace Inc. a Missouri corporation, Heizer Defense, LLC, a Missouri Limited Liability corporation, Charles K. Heizer, Thomas Heizer, Hedy Jane Heizer-Gahn, James Bruchas, and Rodney Mullins, Defendants/Counterclaim Plaintiffs. v. Heizer Technologies, LLC, misnamed and k/n/a Doubletap Defense, LLC, and Ray Kohout, and Marvin Dufner, Counterclaim Defendants*. Case No. 13SL-CC00012, Division No. 16, Jan. 2, 2013 (22 pages).

Plaintiffs' Response in Opposition to Defendants' Motion to Disqualify Attorney Robert J. Kaufman and Brief in Support, *Doubletap Defense LLC, f/k/a Heizer Technologies, LLC, and Central Holding Corp., a Missouri corporation v. Heizer Aerospace Inc. a Missouri corporation, Heizer Defense, LLC, a Missouri Limited Liability corporation, Charles K. Heizer, Thomas Heizer, Hedy Jane Heizer-Gahn, James Bruchas, and Rodney Mullins*, Case No. 13SL-CC00012, Division No. 16, Jan. 23, 2013 (15 pages).

Plaintiffs/Counterclaim Defendants Answer and Objections to Defendants/Counterclaim Plaintiffs' First Set of Interrogatories, *Doubletap Defense LLC, et al., Plaintiffs/Counterclaim Defendants v. Heizer Aerospace, Inc., et al., Defendants/Counterclaim Plaintiffs*, Case No. 13SL-CC00012, Division No. 16, Apr. 1, 2013 (12 pages).

Plaintiffs/Counterclaim Defendants Responses and Objections to Defendants/Counterclaim Plaintiffs First Requests for Production of Documents to Defendants/Counterclaim Plaintiffs' First Set of Interrogatories, *Doubletap Defense LLC, et al., Plaintiffs/Counterclaim Defendants v. Heizer Aerospace, Inc., et al., Defendants/Counterclaim Plaintiffs*, Case No. 13SL-CC00012, Division No. 16, Apr. 1, 2013 (23 pages).

Request for Appointment of Process Server, *Doubletap Defense LLC, f/k/a Heizer Technologies, LLC et al., v. Heizer Defense, LLC et al.,* Case No. 13SL-CC00012, Division No. 16, Jan. 3, 2013 (2 pages).

Rodney Mullins' Objections and Answers to Plaintiffs' First Interrogatories to Defendant *Rodney Mullins, Doubletap Defense LLC, et al., Plaintiffs, v. Heizer Aerospace, Inc., et al., Defendants*, Case No. 13SL-CC00012, Division No. 16, Feb. 19, 2013 (17 pages).

Rodney Mullins' Objections and Responses to Plaintiffs' Request for Production of Documents to Defendant *Rodney Mullins, Doubletap Defense LLC, et al., Plaintiffs, v. Heizer Aerospace, Inc., et al., Defendants*, Case No. 13SL-CC00012, Division No. 16, Feb. 19, 2013 (14 pages).

Subpoena Directed to Charles Heizer, *Doubletap Defense LLC, et al., Plaintiffs, v. Heizer Aerospace, Inc., et al., Defendants*, Case No. 13SL-CC00012, Division No. 16, Jan. 11, 2013 (8 pages).

Subpoena Directed to Dennis Donohue, *Doubletap Defense LLC, et al., Plaintiffs, v. Heizer Aerospace, Inc., et al., Defendants*, Case No. 13SL-CC00012, Division No. 16, Jan. 11, 2013 (9 pages).

Thomas Heizer's Objections and Answers to Plaintiffs' First Interrogatories to Defendant Thomas Heizer, *Doubletap Defense LLC, et al., Plaintiffs, v. Heizer Aerospace, Inc., et al., Defendants*, Case No. 13SL-CC00012, Division No. 16, Feb. 19, 2013 (40 pages).

Thomas Heizer's Objections and Responses to Plaintiffs' First Request for Production of Documents to Defendant *Thomas Heizer, Doubletap Defense LLC, et al., Plaintiffs, v. Heizer Aerospace, Inc., et al., Defendants*, Case No. 13SL-CC00012, Division No. 16, Feb. 19, 2013 (14 pages).

US Office Action for U.S. Appl. No. 13/333,513 dated Mar. 14, 2013 (5 pages).

Verified Counterclaims, *Doubletap Defense LLC, f/k/a Heizer Technologies, LLC, and Central Holding Corp., Plaintiffs/Counterclaim Defendants, v. Heizer Aerospace Inc., Heizer Defense, LLC, Charles K. Heizer, Thomas Heizer, Hedy Jane Heizer-Gahn, James Bruchas, and Rodney Mullins, Defendants/Counterclaim Plaintiffs, v. Heizer Technologies, LLC, Serve CT Corporation, Serve Ray Kohout, Serve Marvin Dufner*, Case No. 13SL-CC00012, Division No. 16, Jan. 8, 2013 (28 pages).

Verified Motion for Admission Pro Hac Vice, *Doubletap Defense, LLC, f/k/a Heizer Technologies, LLC, and Central Holding Corporation Plaintiffs, v. Heizer Aerospace Inc., Heizer Defense, LLC, Charles K. Heizer, Thomas Heizer, Hedy Jane Heizer-Gahn, James Bruchas, Rodney Mullins, Defendants*. Case No. 13SL-CC00012, Division No. 16, Jan. 2, 2013 (7 pages).

Verified Motion for Admission Pro Hac Vice, *Doubletap Defense, LLC, f/k/a Heizer Technologies, LLC, and Central Holding Corporation, a Missouri Corporation, Plaintiffs, v. Heizer Aerospace Inc., a Missouri limited liability corporation, Charles K. Heizer, Thomas Heizer, Hedy Jane Heizer-Gahn, James Bruchas, and Rodney Mullins, Defendants*. Case No. 13SL-CC00012, Division No. 16, Jan. 10, 2013 (5 pages).

Verified Petition for Breach of Non-Disclosure Agreement, Breach of Joint Venture Agreement, Negligent Misrepresentation, Fraud, Conversion Replevin, Defamation, Injurious Falsehood, Breach of Fiduciary Duty, Breach of the Duty of Loyalty, Temporary Restraining Order and Preliminary and Permanent Injunction, and Violation of the Missouri Trade Secrets Act, *Doubletap Defense, LLC, f/k/a Heizer Technologies, LLC, and Central Holding Corporation Plaintiffs, v. Heizer Aerospace Inc., Heizer Defense, LLC, Charles K. Heizer, Thomas Heizer, Hedy Jane Heizer-Gahn, James Bruchas, Rodney Mullins, Defendants*. Case No. 13SL-CC00012, Division No. 16, Jan. 2, 2013 (60 pages).

\* cited by examiner

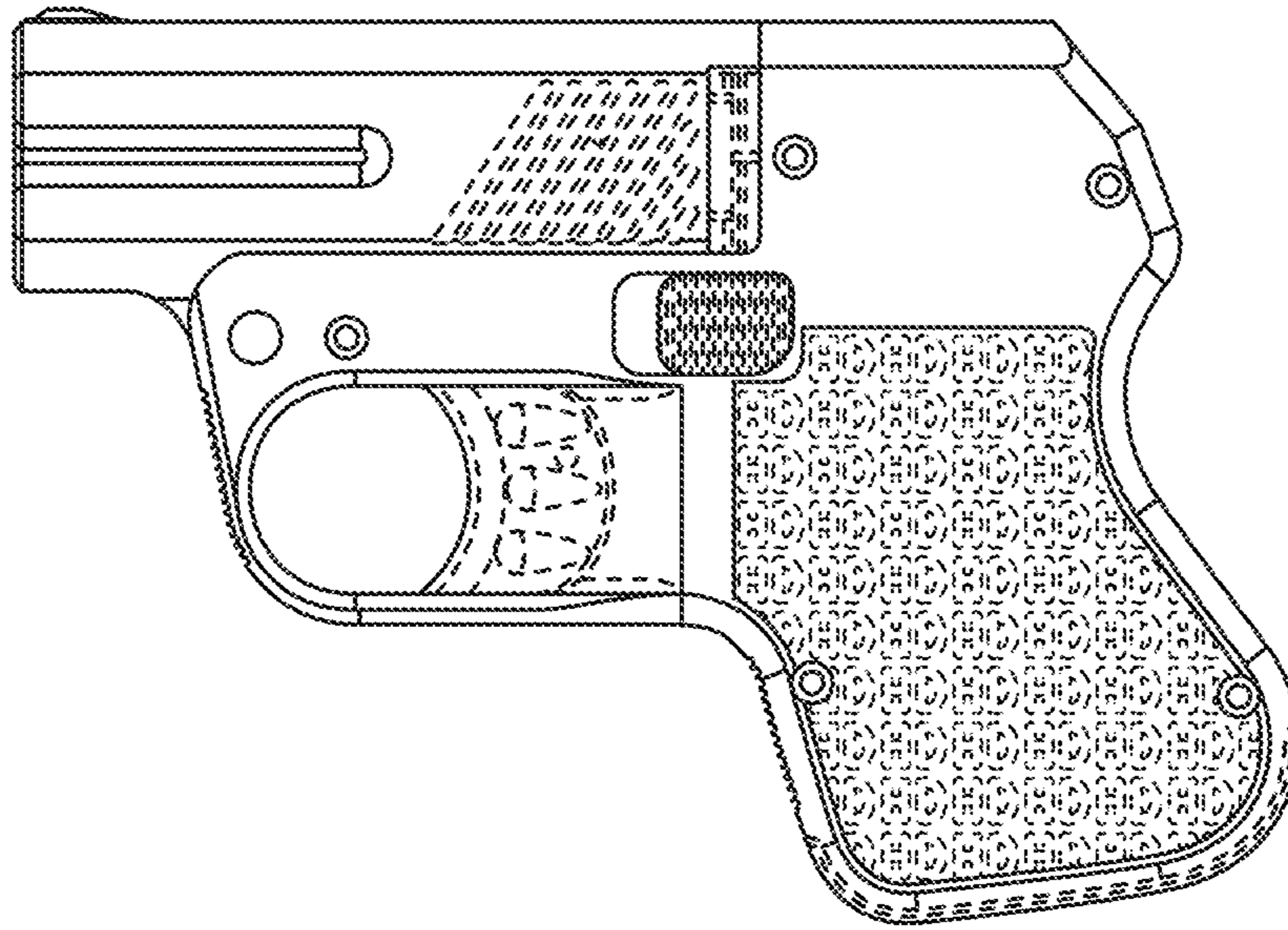


FIG. 1

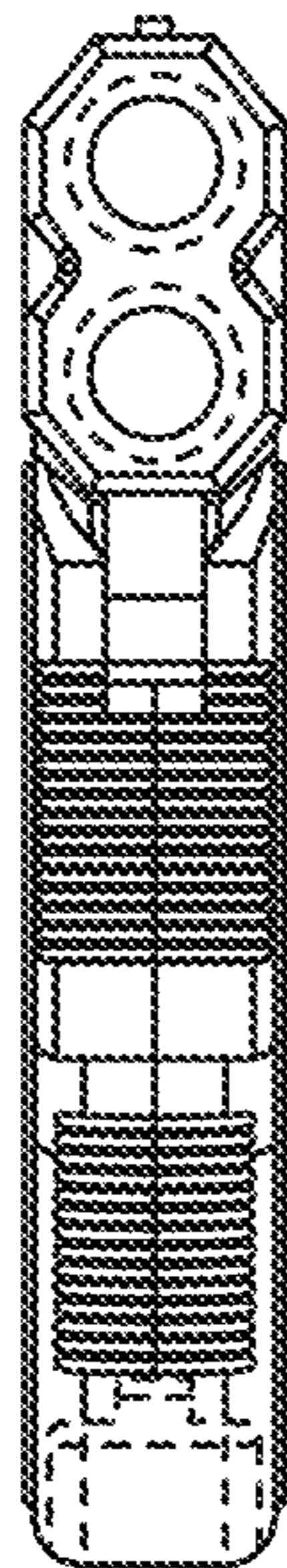


FIG. 2

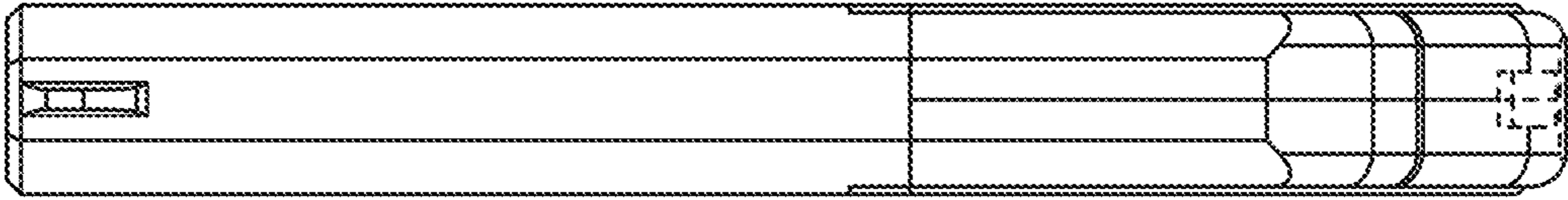


FIG. 3

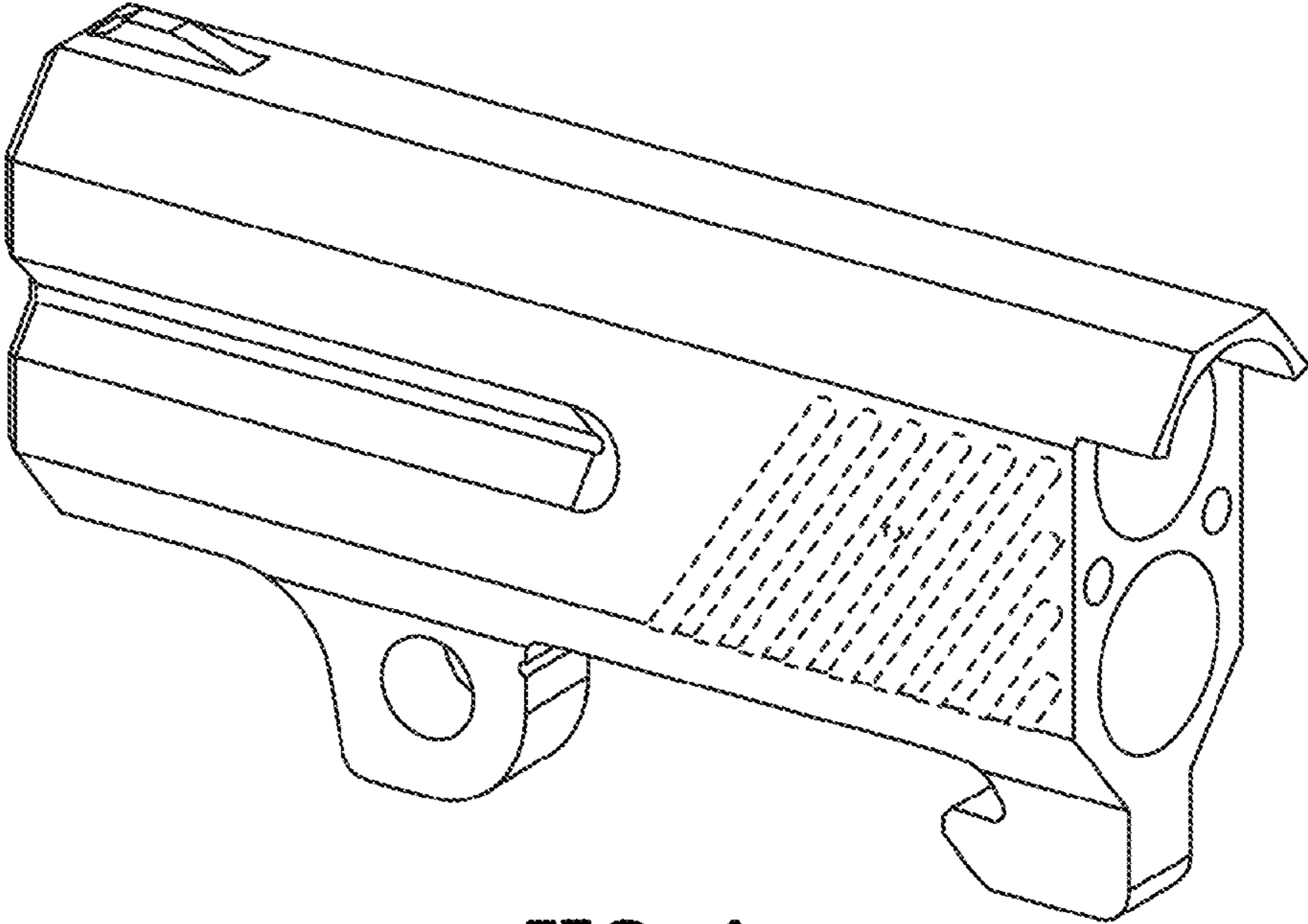


FIG. 4

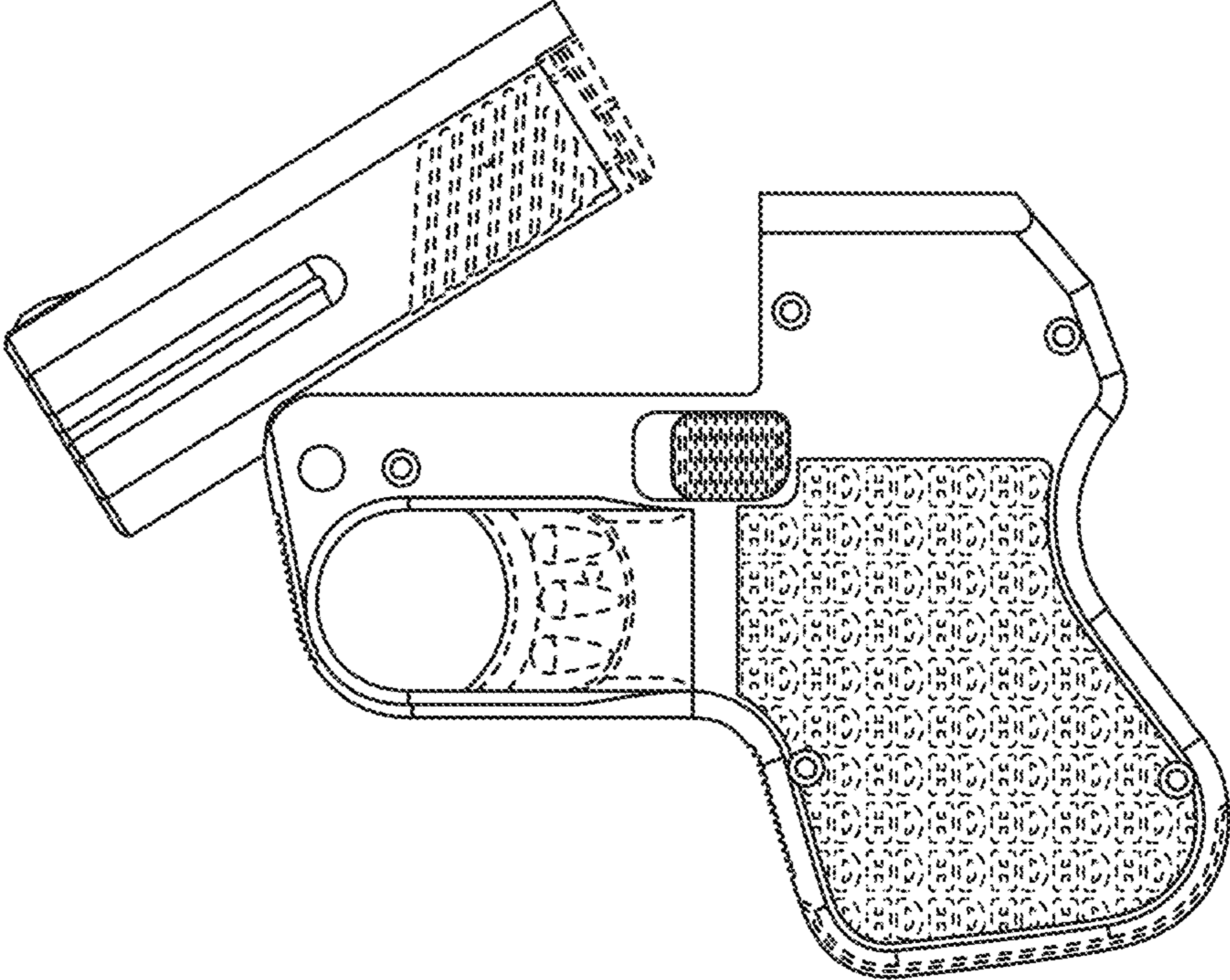


FIG. 5

UNITED STATES PATENT AND TRADEMARK OFFICE  
**CERTIFICATE OF CORRECTION**

PATENT NO. : D686,685 S  
APPLICATION NO. : 29/409263  
DATED : July 23, 2013  
INVENTOR(S) : Kohout et al.

Page 1 of 1

It is certified that error appears in the above-identified patent and that said Letters Patent is hereby corrected as shown below:

On the Title Page

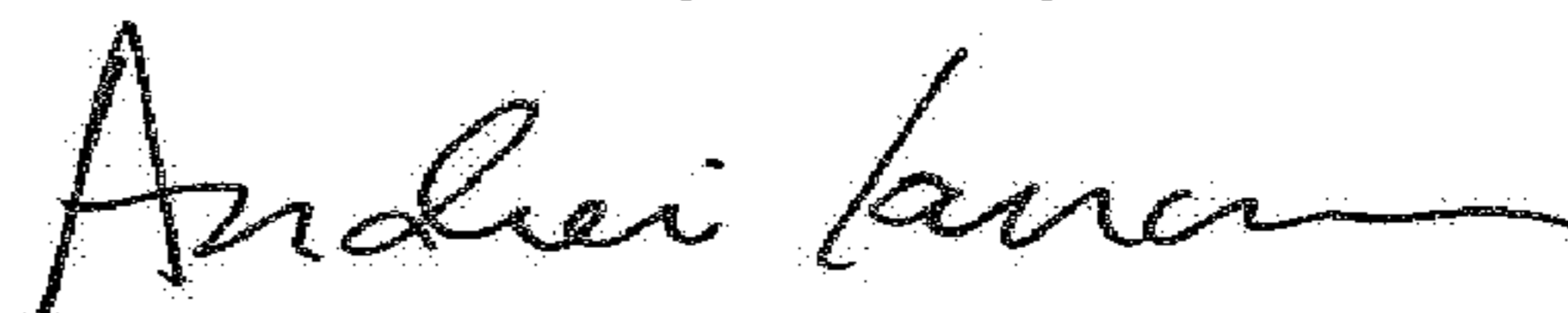
Item (12) "Kohout" should read:

-- Kohout, et al. --.

Item (75) Inventor is corrected to read:

-- Raymond B. Kohout, Lake Ozark (MO);  
Charles K. Heizer, St. Louis (MO) --.

Signed and Sealed this  
Tenth Day of July, 2018



Andrei Iancu

*Director of the United States Patent and Trademark Office*