



US00D686683S

(12) **United States Design Patent**
Sanchez

(10) **Patent No.:** **US D686,683 S**

(45) **Date of Patent:** **** Jul. 23, 2013**

(54) **WATER SURFACE SKIMMING SYSTEM**

(71) Applicant: **Lorenzo Sanchez**, Tucson, AZ (US)

(72) Inventor: **Lorenzo Sanchez**, Tucson, AZ (US)

(**) Term: **14 Years**

(21) Appl. No.: **29/441,452**

(22) Filed: **Jan. 4, 2013**

(51) **LOC (9) Cl.** **21-02**

(52) **U.S. Cl.**
USPC **D21/769**

(58) **Field of Classification Search**
USPC D21/769-770, 801, 803, 809; 114/253,
114/345-346; 441/35, 66, 74, 40-42, 129-132;
472/128-129; D12/5, 6, 316
See application file for complete search history.

(56) **References Cited**

U.S. PATENT DOCUMENTS

- D207,681 S * 5/1967 Heston D21/769
- D264,370 S * 5/1982 McCarthy D21/803
- D377,072 S * 12/1996 Ilejay D21/769

- D389,546 S * 1/1998 Stewart D21/769
- D390,618 S * 2/1998 Wilson D21/803
- D446,273 S * 8/2001 Natale D21/769
- D453,367 S * 2/2002 Katz et al. D21/801
- D463,003 S * 9/2002 Alexander D21/769
- D560,264 S * 1/2008 Nakpodia D21/769

* cited by examiner

Primary Examiner — Zenia Bennett

(57) **CLAIM**

The ornamental design for a novel water surface skimming system, as shown and described.

DESCRIPTION

FIG. 1 is a perspective view of a novel water surface skimming system showing my new design; FIG. 2 is a bottom perspective view thereof; FIG. 3 is a top view thereof; FIG. 4 is a bottom view thereof; FIG. 5 is a back view thereof; FIG. 6 is a front view thereof; and, FIG. 7 is a side view thereof; opposite side view is a mirror image thereof.

1 Claim, 5 Drawing Sheets

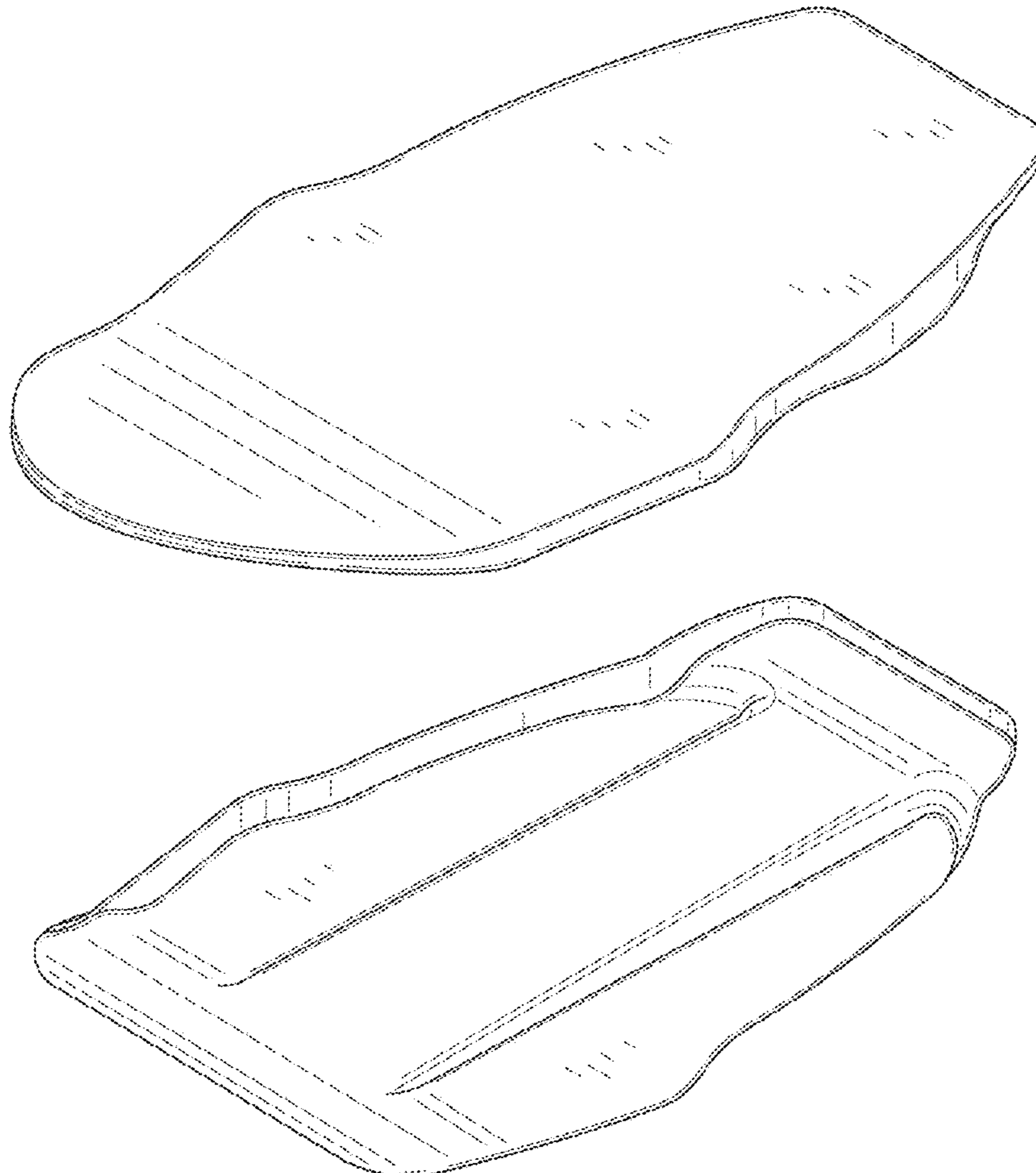




FIG. 1

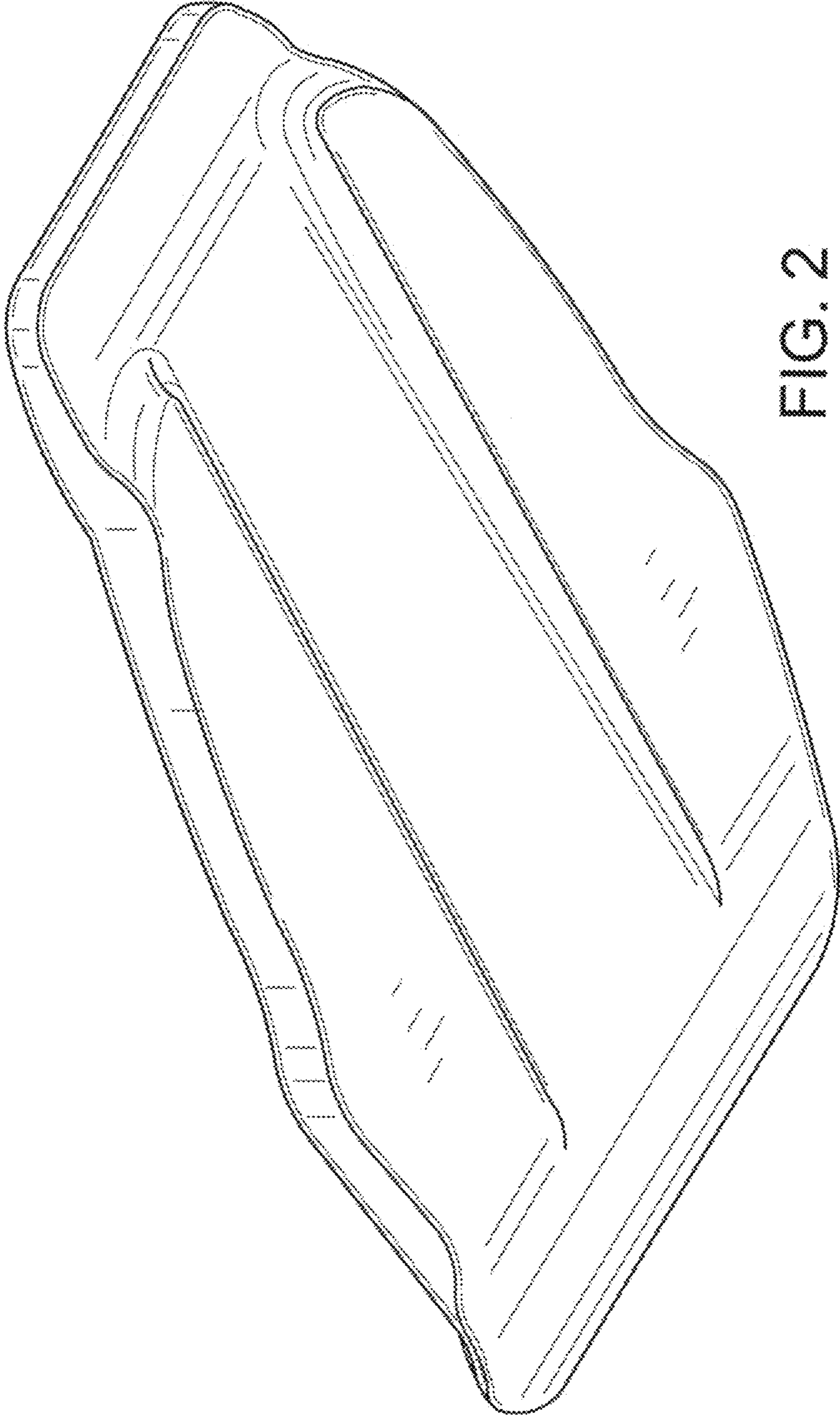


FIG. 2

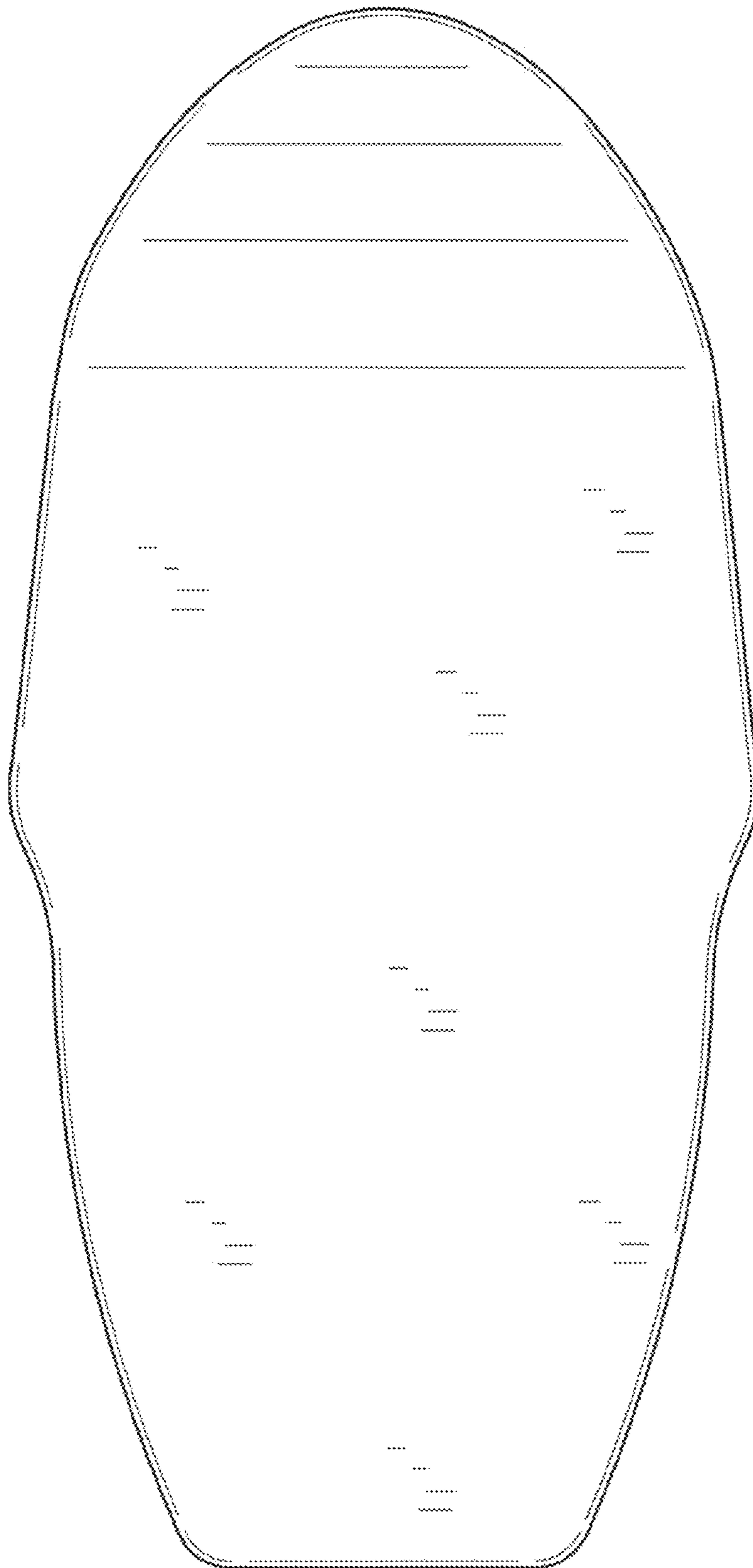


FIG. 3

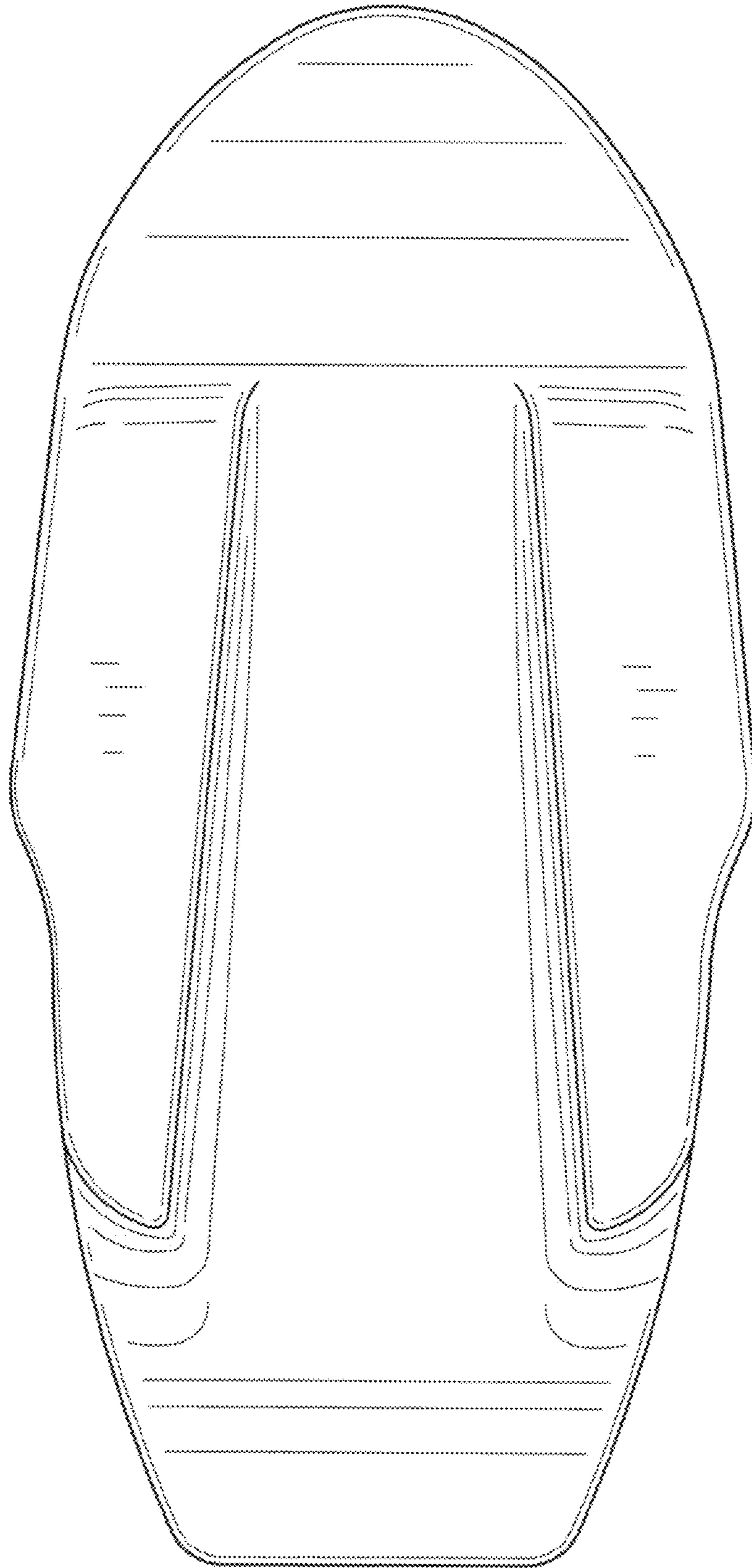


FIG. 4

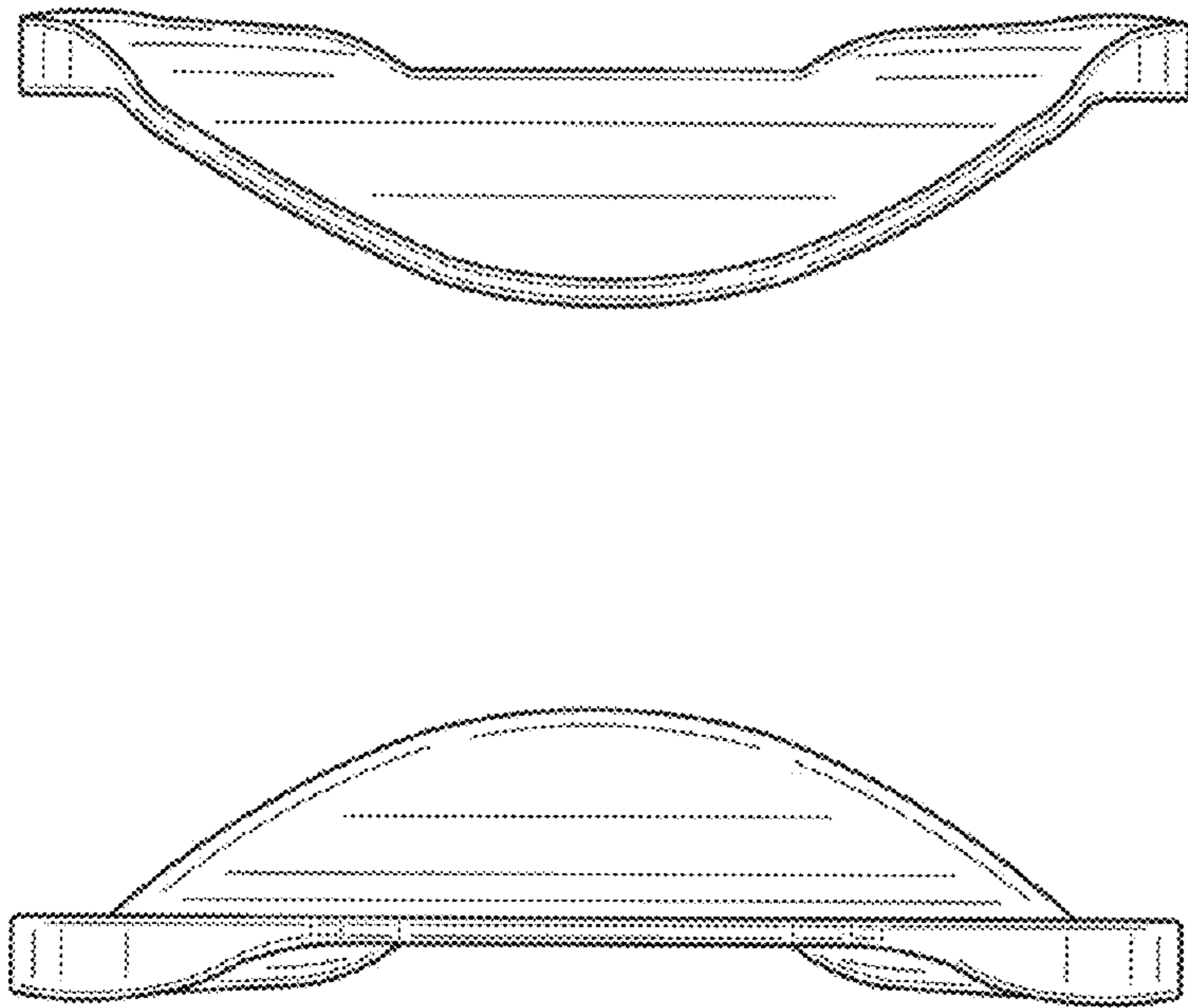


FIG. 6

FIG. 5

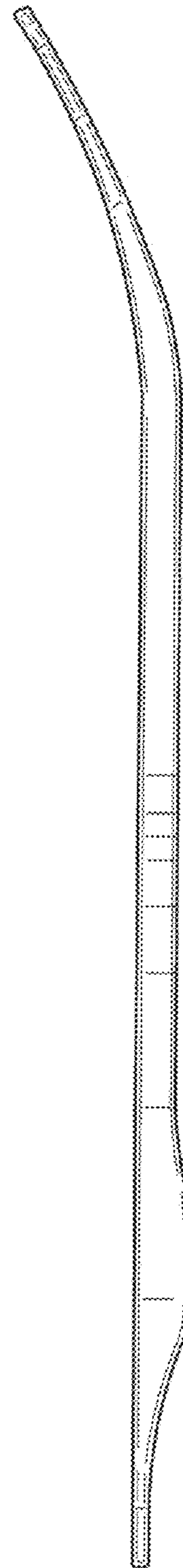


FIG. 7