



US00D686680S

(12) **United States Design Patent**
Glaser

(10) **Patent No.:** **US D686,680 S**

(45) **Date of Patent:** **** Jul. 23, 2013**

(54) **ALIGNMENT TOOL FOR GOLF CLUB COVER**

2003/0148821 A1* 8/2003 Morgan et al. 473/324
2009/0314398 A1* 12/2009 Shaar, Jr. 150/160
2010/0292019 A1* 11/2010 Stites 473/324

(76) Inventor: **Andrew Glaser**, New York, NY (US)

* cited by examiner

(**) Term: **14 Years**

Primary Examiner — Mitchell Siegel

(21) Appl. No.: **29/423,490**

(74) *Attorney, Agent, or Firm* — Porter, Wright, Morris & Arthur, LLP

(22) Filed: **Jun. 1, 2012**

(57) **CLAIM**

(51) **LOC (9) Cl.** **21-02**

The ornamental design for a alignment tool for golf club cover, as shown and described.

(52) **U.S. Cl.**

USPC **D21/759**

DESCRIPTION

(58) **Field of Classification Search**

USPC D21/753, 759, 789, 791, 754; D20/11;
473/324–331, 282, 242, 231, 238; 150/160
See application file for complete search history.

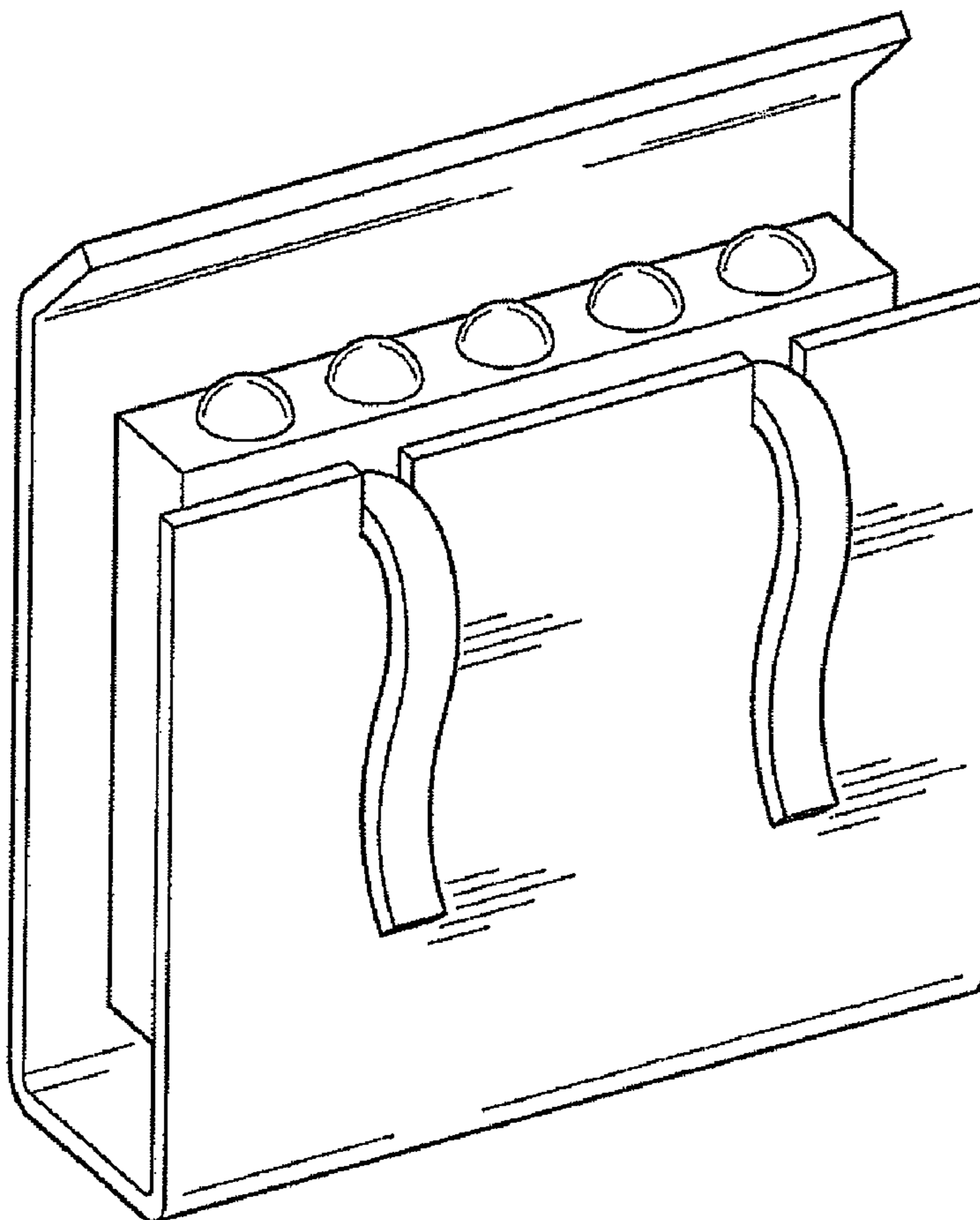
FIG. 1 is a front perspective view of an alignment tool for a golf club cover according to my new design;
FIG. 2 is a rear perspective view thereof;
FIG. 3 is a front view thereof;
FIG. 4 is a rear view thereof;
FIG. 5 is a top thereof;
FIG. 6 is a bottom view thereof;
FIG. 7 is a right side view thereof; and,
FIG. 8 is a left side view thereof.

(56) **References Cited**

U.S. PATENT DOCUMENTS

D639,364 S * 6/2011 Torres D21/753
8,226,789 B1 * 7/2012 Glaser 473/324
8,282,504 B1 * 10/2012 Glaser 473/324
8,348,780 B2 * 1/2013 Stites 473/231

1 Claim, 3 Drawing Sheets



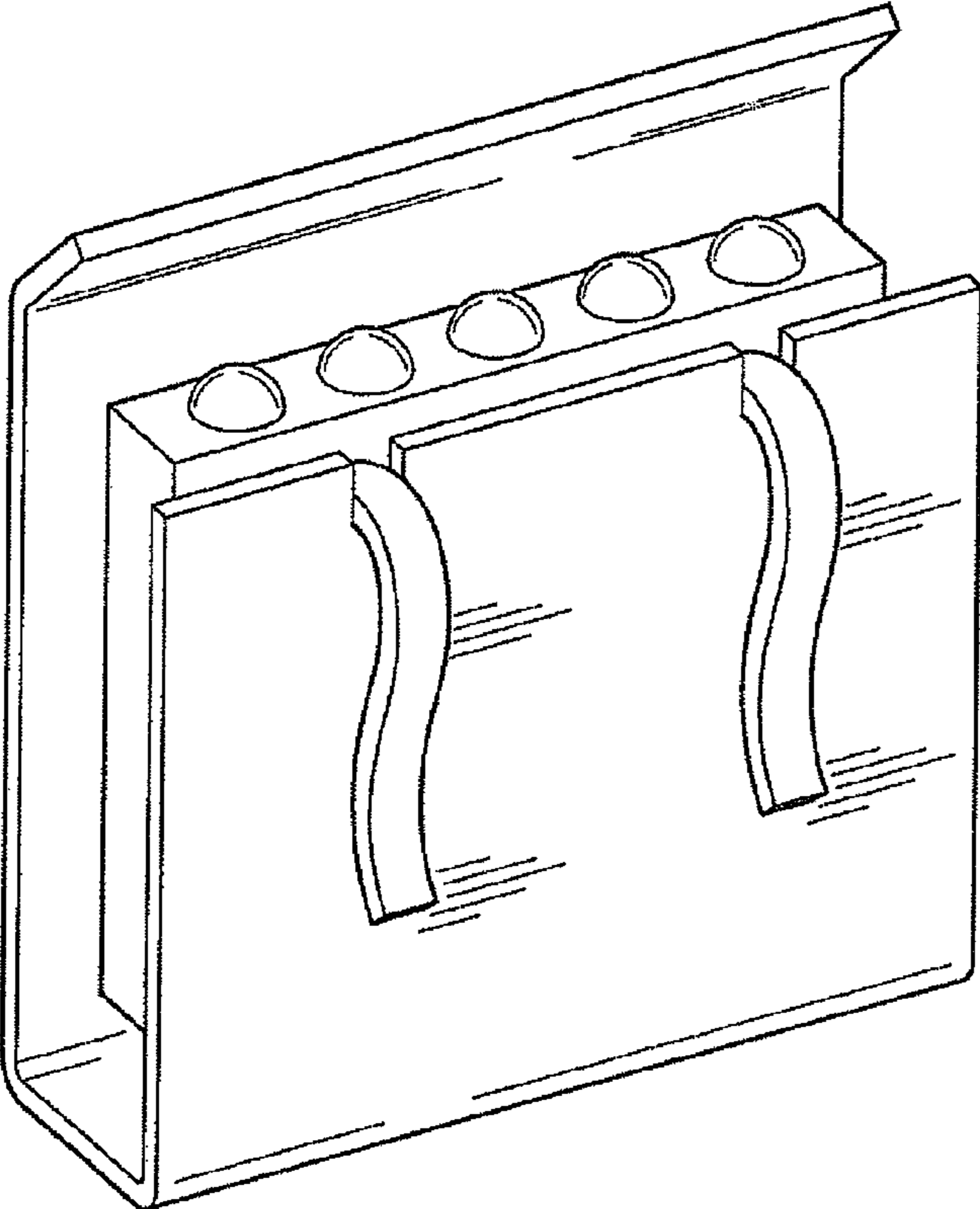


FIG. 1

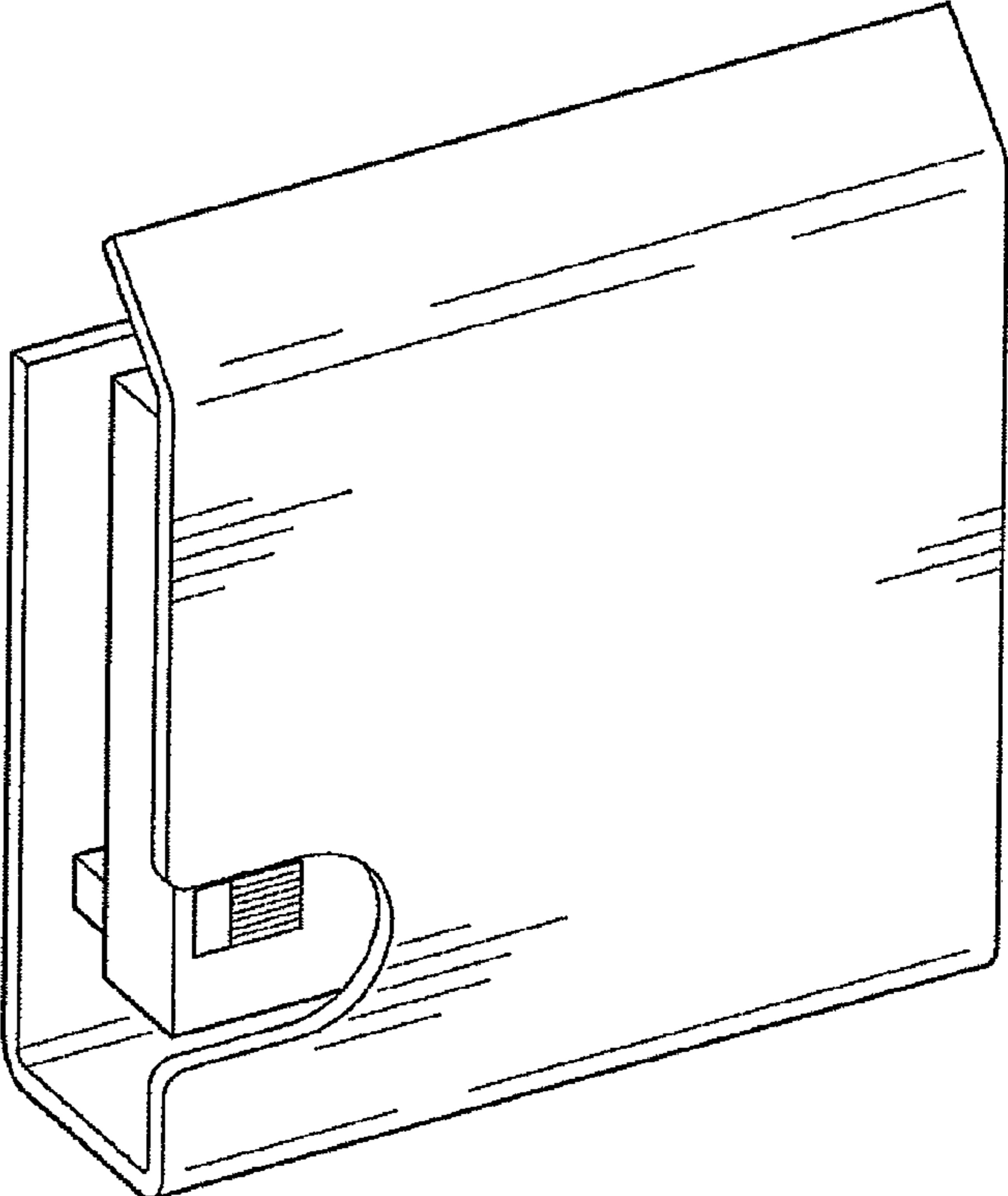


FIG. 2

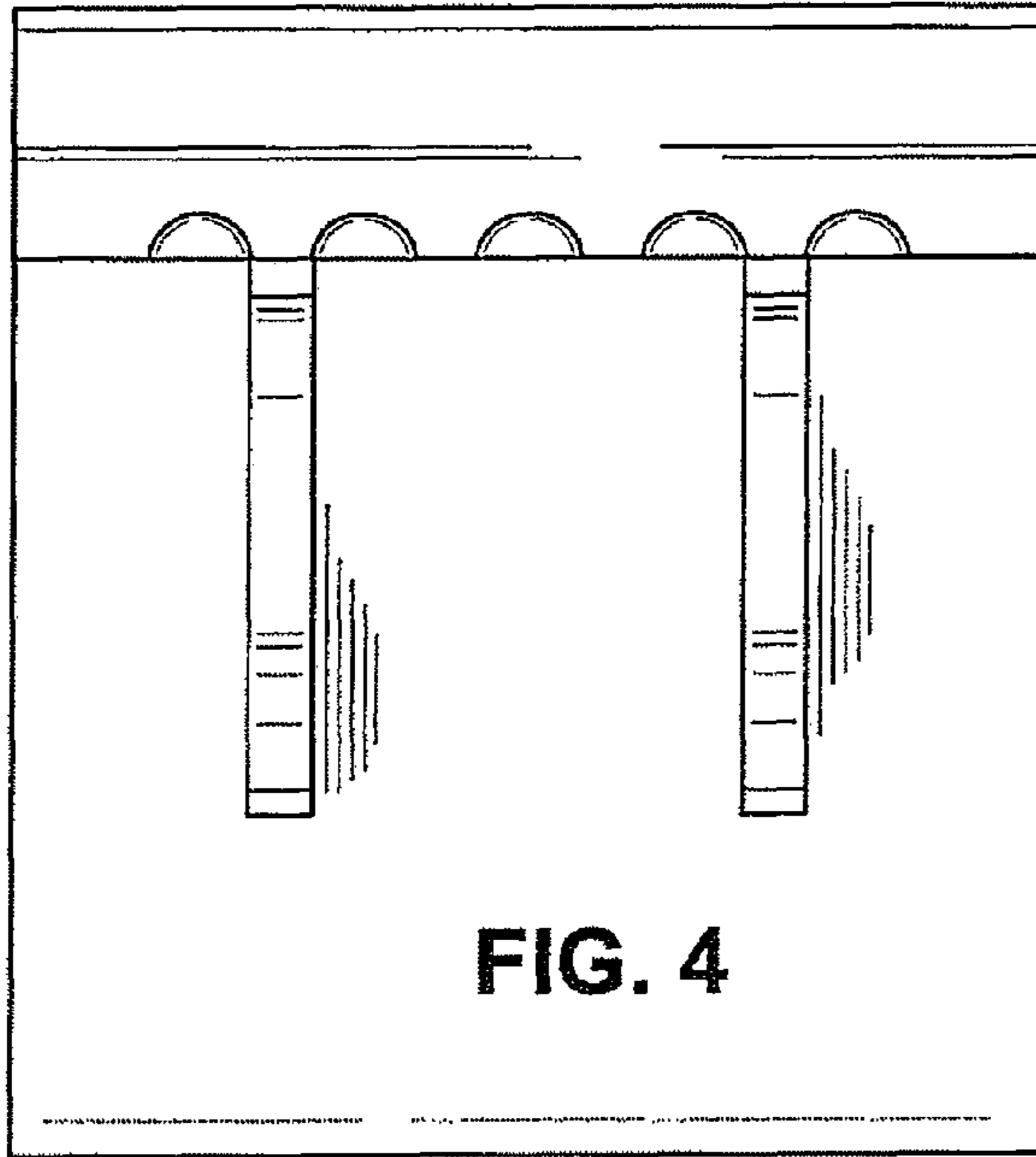


FIG. 3

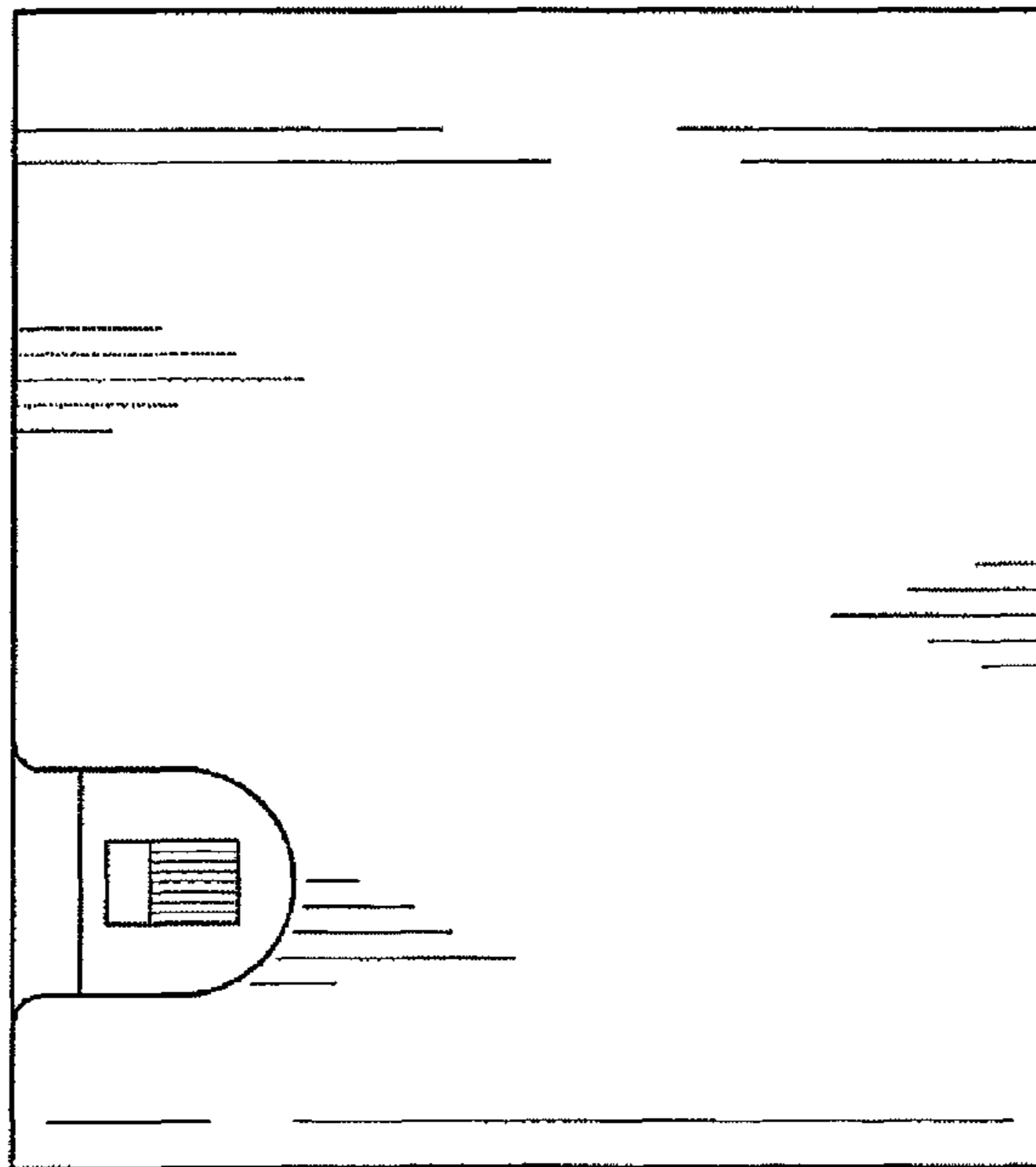


FIG. 4

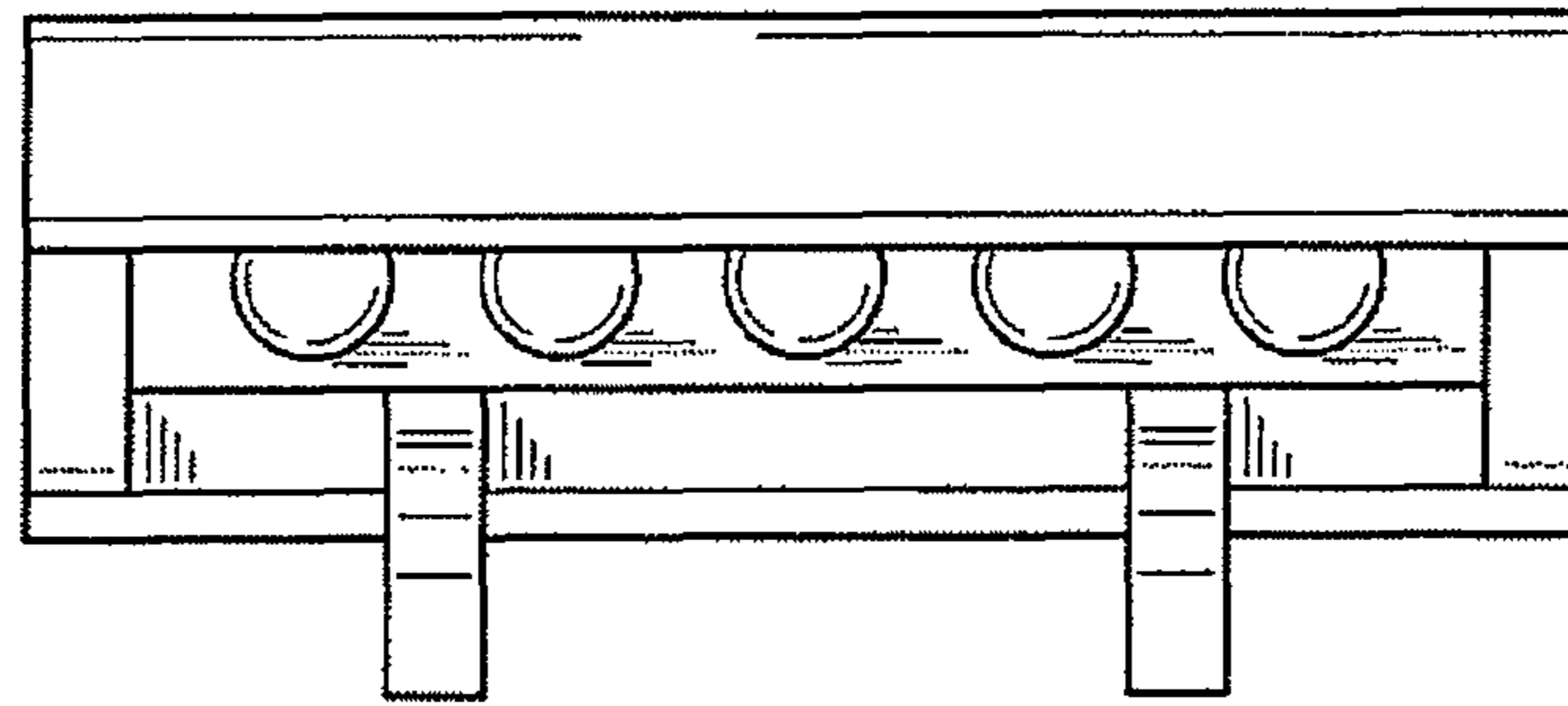


FIG. 5

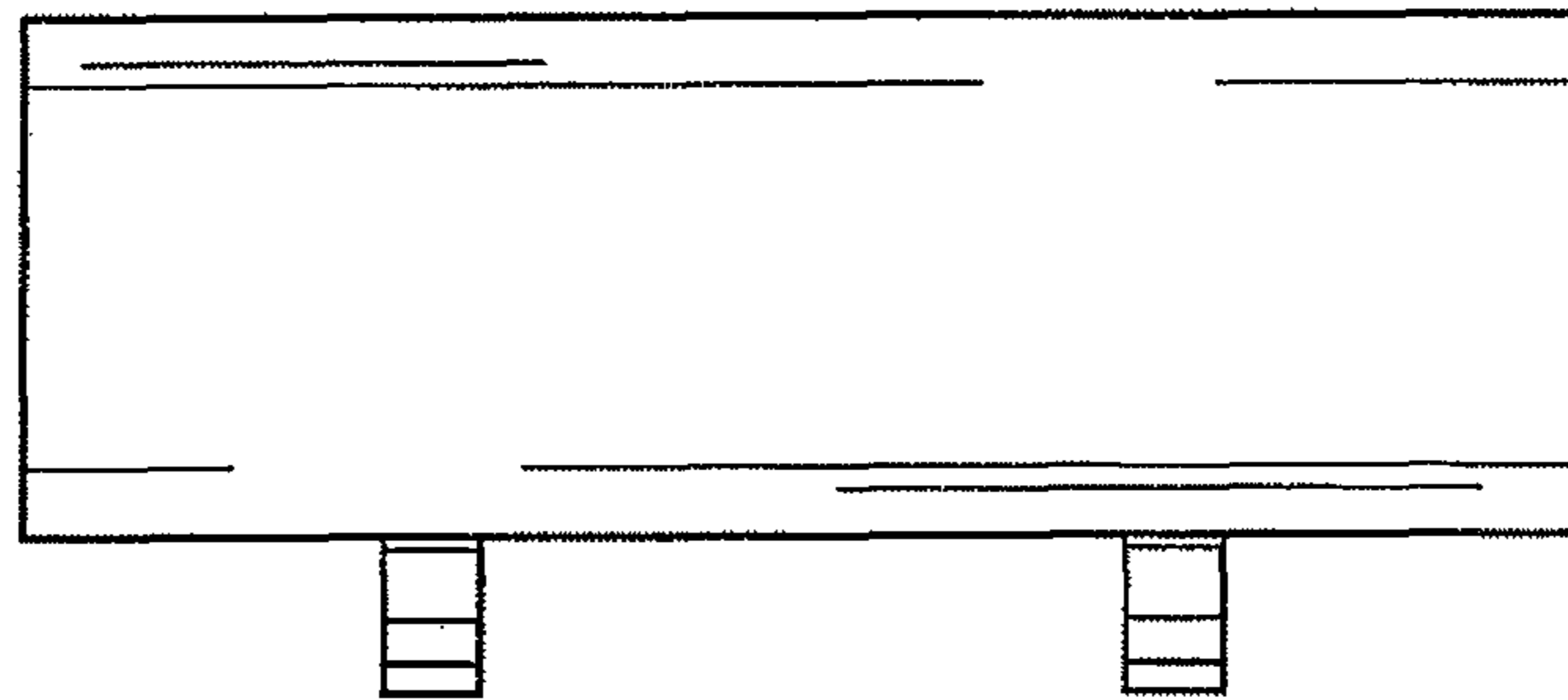


FIG. 6

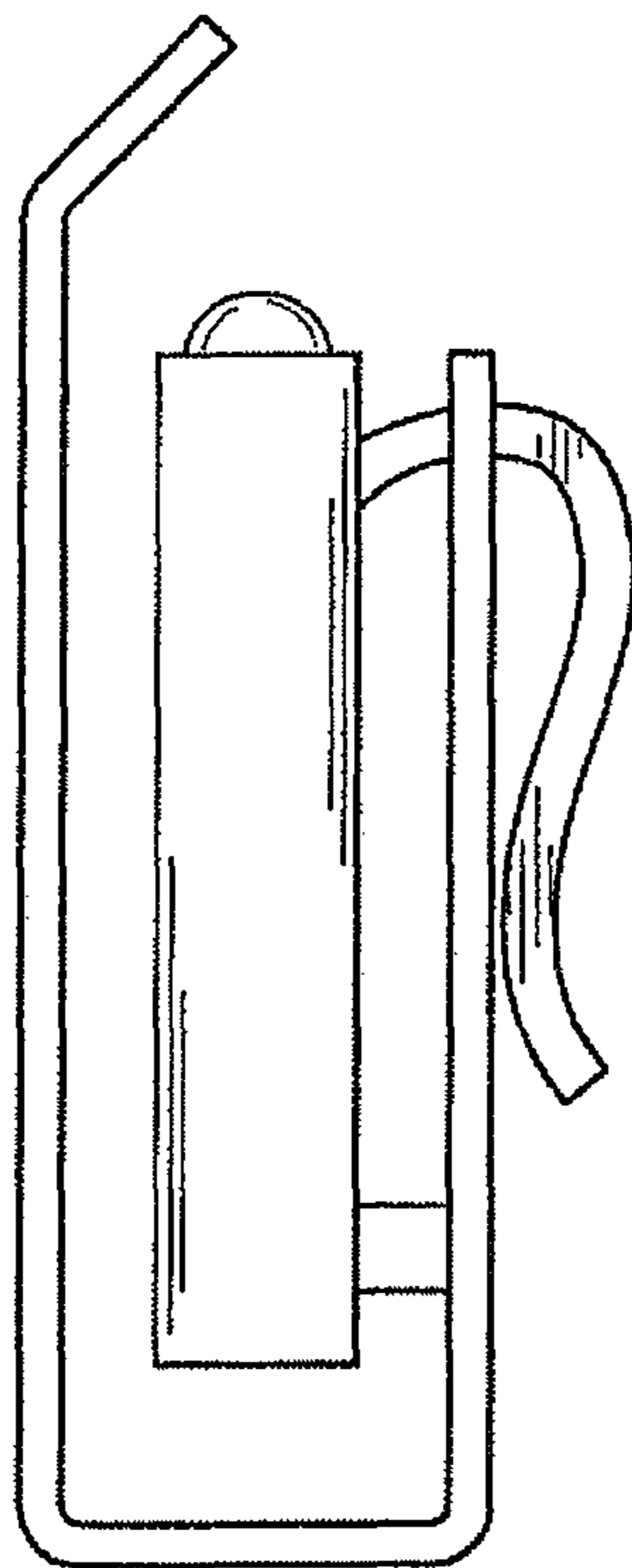


FIG. 7

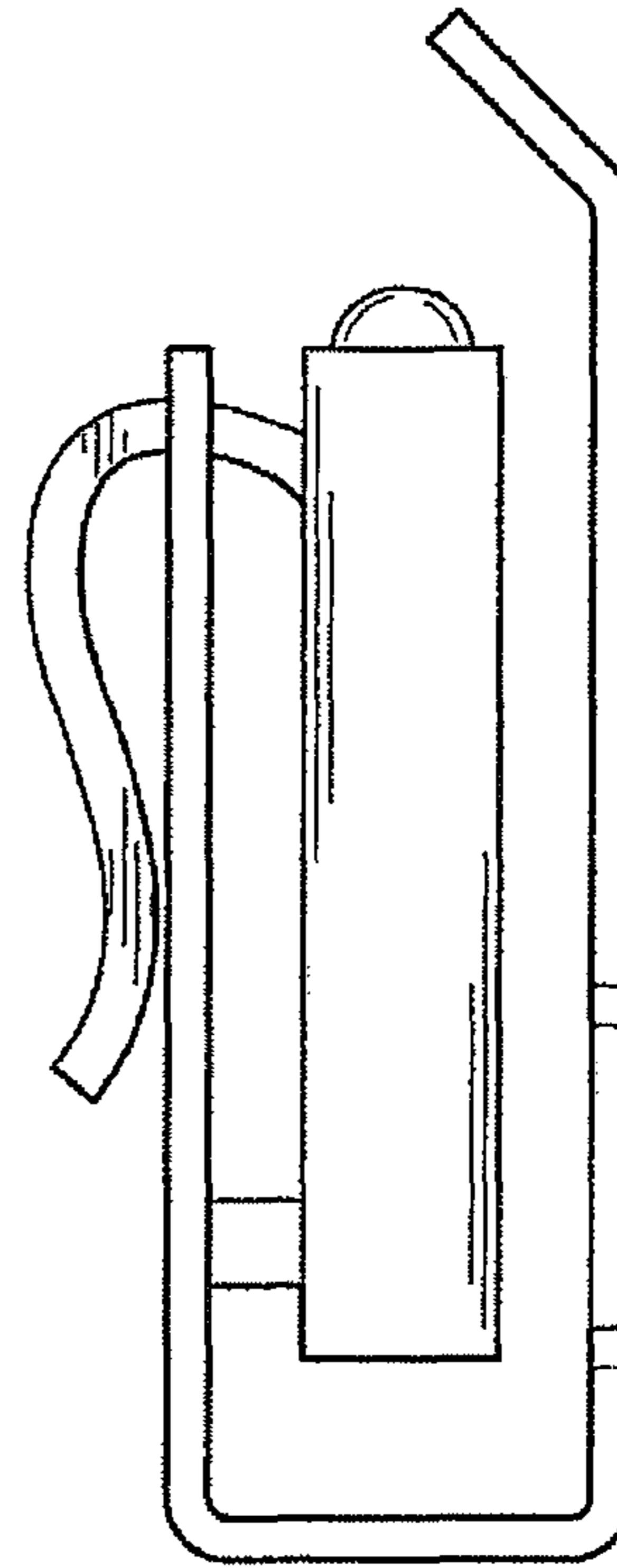


FIG. 8