



US00D686677S

(12) **United States Design Patent**
Simonds

(10) **Patent No.:** **US D686,677 S**
(45) **Date of Patent:** **** Jul. 23, 2013**

(54) **HUBBED AXLE**

(75) Inventor: **Colin Duncan Simonds**, London (GB)

(73) Assignee: **Morphun Research Ltd**, London (GB)

(**) Term: **14 Years**

(21) Appl. No.: **29/423,816**

(22) Filed: **Jun. 5, 2012**

(30) **Foreign Application Priority Data**

Dec. 5, 2011 (EM) 001957499

(51) **LOC (9) Cl.** **21-01**

(52) **U.S. Cl.**
USPC **D21/561; D12/160**

(58) **Field of Classification Search**
USPC D21/495, 548, 549, 561, 562, 563; D12/160,
D12/161; 280/42, 442, 490.1; 301/125, 126,
301/131-135

See application file for complete search history.

(56) **References Cited**

U.S. PATENT DOCUMENTS

2,544,924	A *	3/1951	Herold	105/170
2,667,047	A *	1/1954	Mennear	464/183
3,465,545	A *	9/1969	Stamm	464/179
D242,442	S *	11/1976	Garrison	D12/114
D277,746	S *	2/1985	Hunsaker	D12/184
D341,560	S *	11/1993	Fabris et al.	D12/160
D358,119	S *	5/1995	Winter	D12/160

D462,256	S *	9/2002	Jaynes	D8/382
6,572,199	B1 *	6/2003	Creek et al.	301/124.1
D594,718	S *	6/2009	Duffy	D8/14
7,617,903	B2 *	11/2009	Byers et al.	180/291
2009/0039700	A1 *	2/2009	Gradu et al.	301/111.02

OTHER PUBLICATIONS

RCEASY. Serpent 733 Front Flange Alu and Steel Solid Axle [online]. Oct. 20, 2009 [retrieved on Dec. 4, 2012]. Retrieved from the internet: <URL: <http://www.rceasy.com/2009/10/20/serpent-733-front-flange-alu-and-steel-solid-axle/>>.*

* cited by examiner

Primary Examiner — P. Hyder

Assistant Examiner — Darlington Ly

(74) *Attorney, Agent, or Firm* — Jacobson Holman PLLC

(57) **CLAIM**

The ornamental design for a hubbed axle, as shown and described.

DESCRIPTION

FIG. 1 is a front perspective view of the hubbed axle embodying my design;

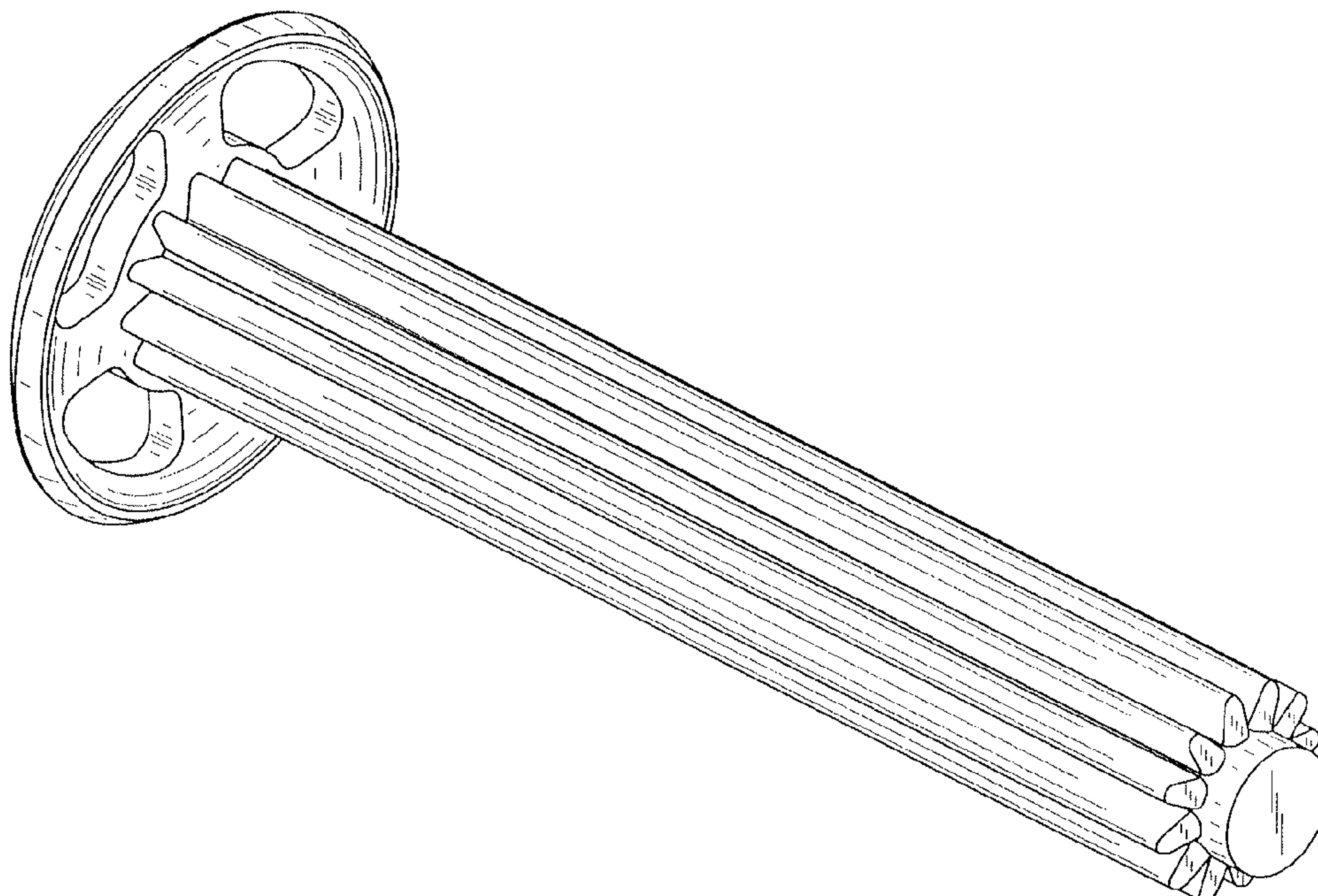
FIG. 2 is a side elevational view of FIG. 1;

FIG. 3 is a left end view of FIG. 1; and,

FIG. 4 is a right end view of FIG. 1.

The broken lines illustrate portions of the hubbed axle that form no part of the claimed design.

1 Claim, 2 Drawing Sheets



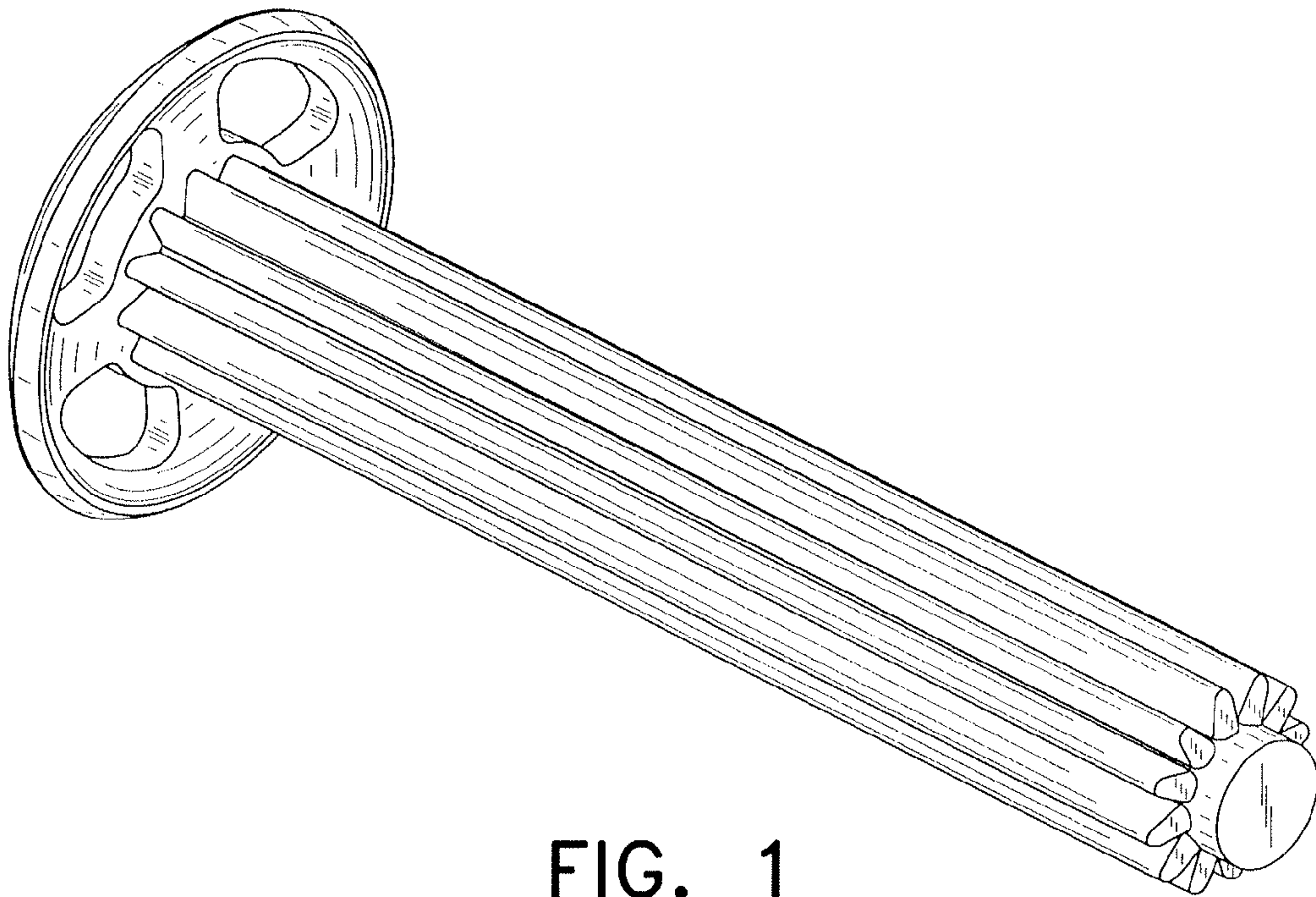


FIG. 1

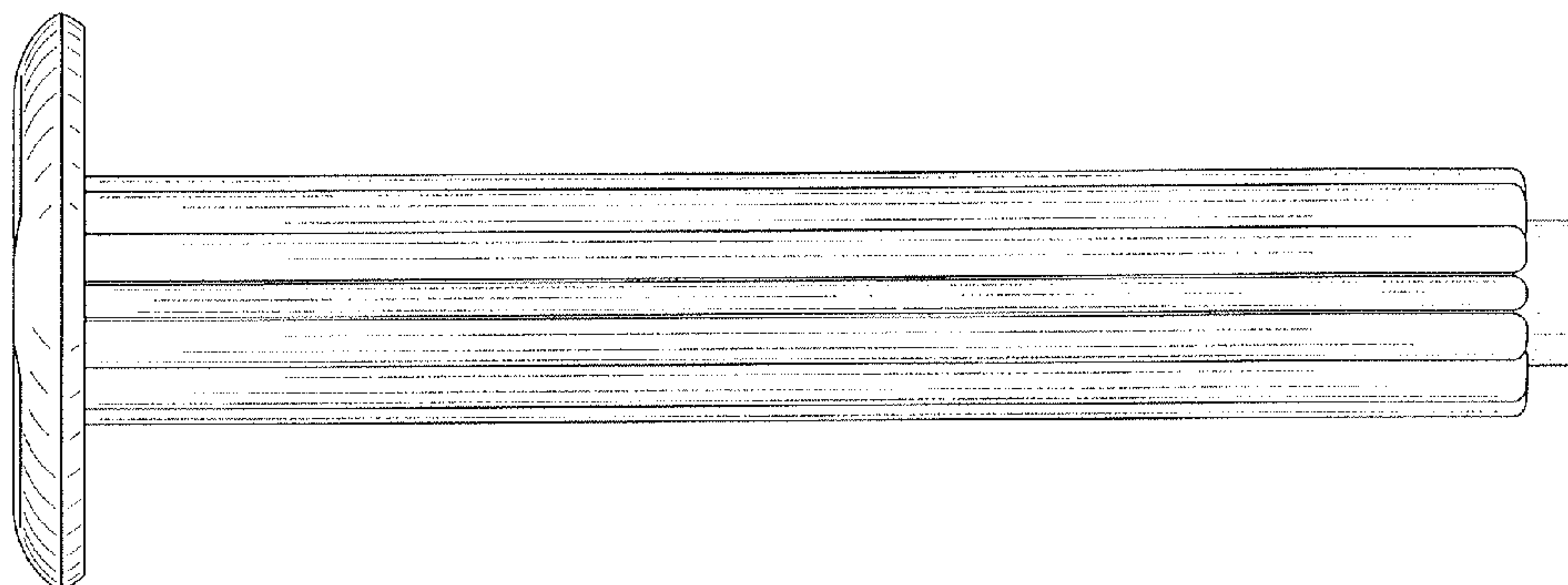


FIG. 2

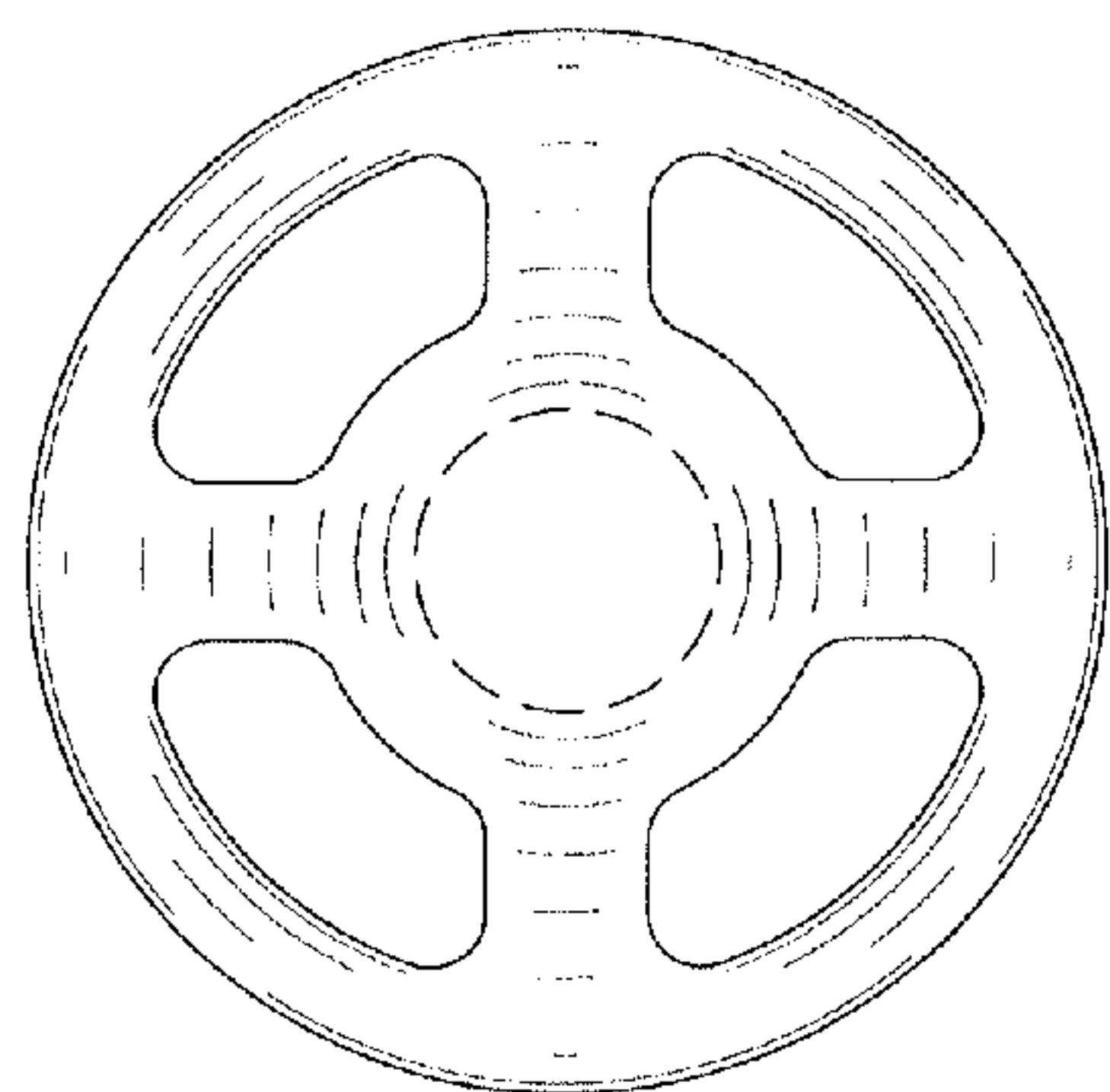


FIG. 3

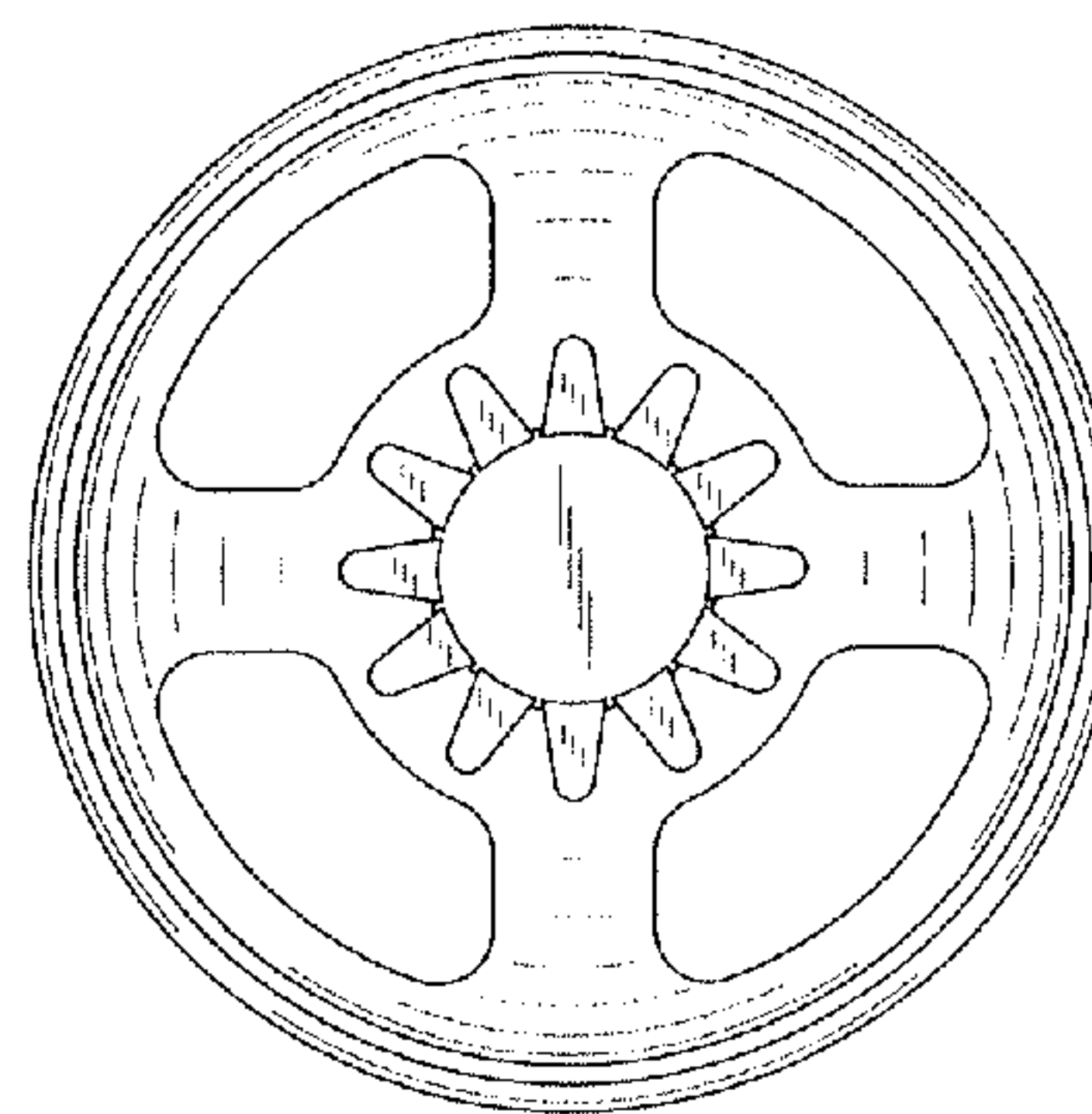


FIG. 4