



US00D686674S

(12) **United States Design Patent**
Hadley et al.

(10) **Patent No.:** **US D686,674 S**
(45) **Date of Patent:** **** Jul. 23, 2013**

(54) **SCOOTER**
(75) Inventors: **Robert Hadley**, Yorba Linda, CA (US);
Carlton Calvin, San Marino, CA (US)
(73) Assignee: **Razor USA LLC**, Cerritos, CA (US)

D444,185 S * 6/2001 Stewart et al. D21/423
D447,188 S * 8/2001 Lan D21/423
6,378,880 B1 * 4/2002 Lin 280/87.05
6,431,302 B2 * 8/2002 Patmont et al. 180/228
D486,532 S * 2/2004 Christianson D21/423
D645,522 S * 9/2011 Powers et al. D21/423

(**) Term: **14 Years**
(21) Appl. No.: **29/411,852**

* cited by examiner

Primary Examiner — Cynthia M Chin

(22) Filed: **Jan. 26, 2012**
(51) **LOC (9) Cl.** **21-01**
(52) **U.S. Cl.**
USPC **D21/423**

(74) *Attorney, Agent, or Firm* — Knobbe Martens Olson & Bear, LLP

(58) **Field of Classification Search**
USPC D21/419, 421, 423, 426, 769, 760,
D21/765, 771, 803; D12/1, 8; 280/14.21,
280/14.25, 14.26, 87.041, 87.042, 263, 288.1,
280/288.2, 288.4, 200, 214, 809; 180/180,
180/181

(57) **CLAIM**
The ornamental designs for a scooter, as shown and described.

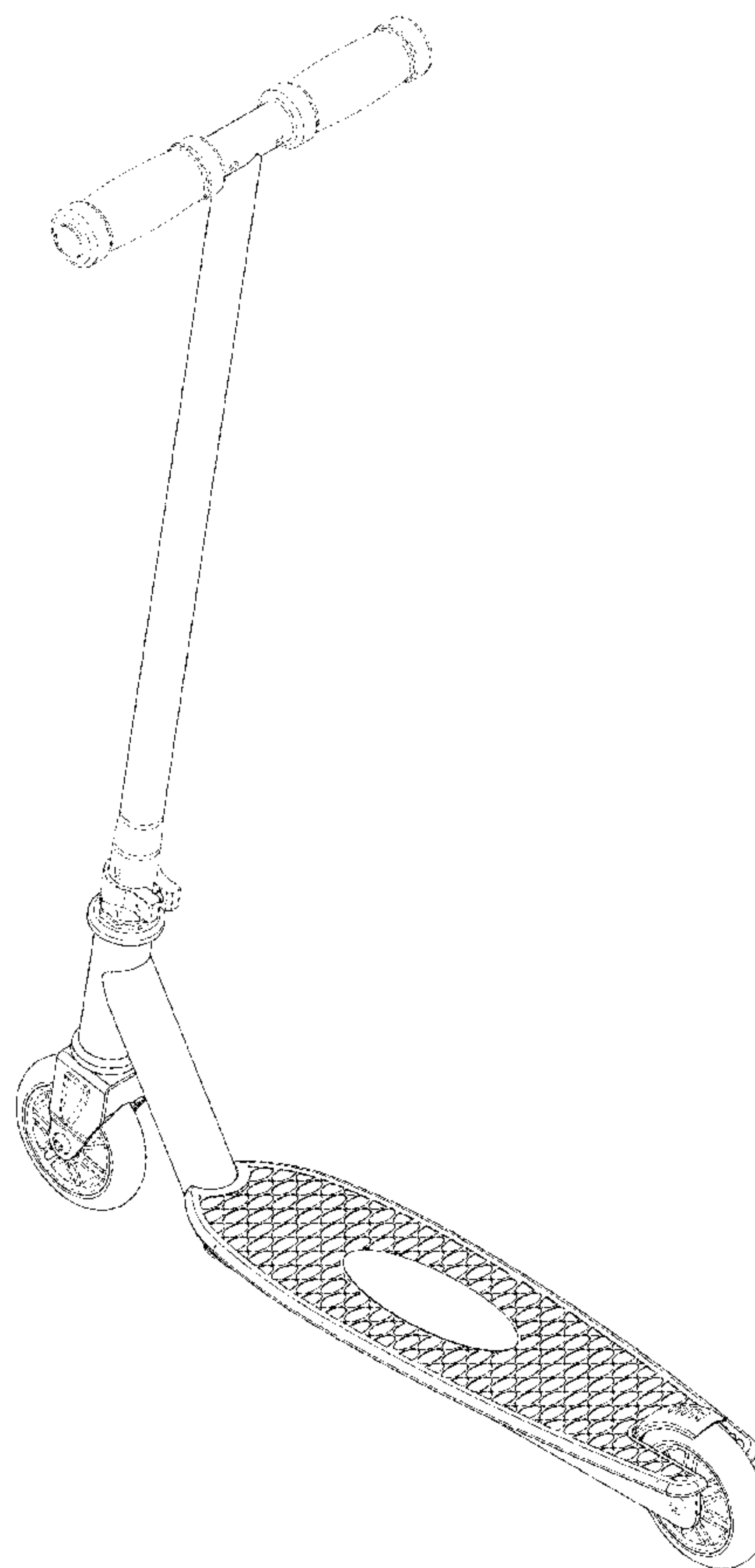
See application file for complete search history.

DESCRIPTION

(56) **References Cited**
U.S. PATENT DOCUMENTS
5,775,452 A * 7/1998 Patmont 180/181
6,168,175 B1 * 1/2001 Lan 280/87.041
D443,001 S * 5/2001 Ouboter D21/423

FIG. 1 is a perspective view showing top, left and rear sides of a scooter.
FIG. 2 is a left side view of the scooter of FIG. 1.
FIG. 3 is a right side view of the scooter of FIG. 1.
FIG. 4 is a front view of the scooter of FIG. 1.
FIG. 5 is a rear view of the scooter of FIG. 1.
FIG. 6 is a top view of the scooter of FIG. 1; and,
FIG. 7 is a bottom view of the scooter of FIG. 1.
Where utilized, the broken lines show portions of the scooter that form no part of the claimed design.

1 Claim, 5 Drawing Sheets



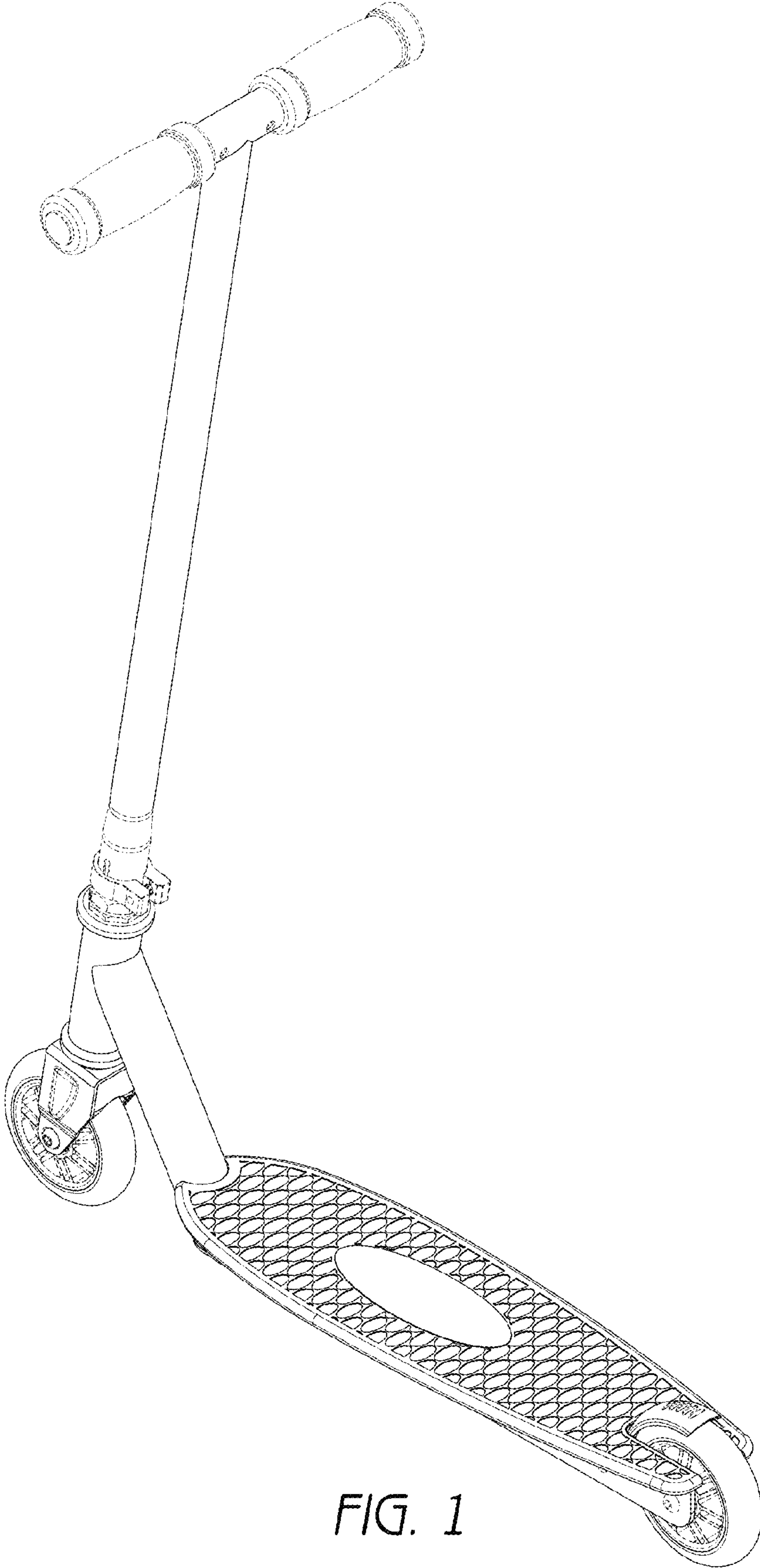


FIG. 1

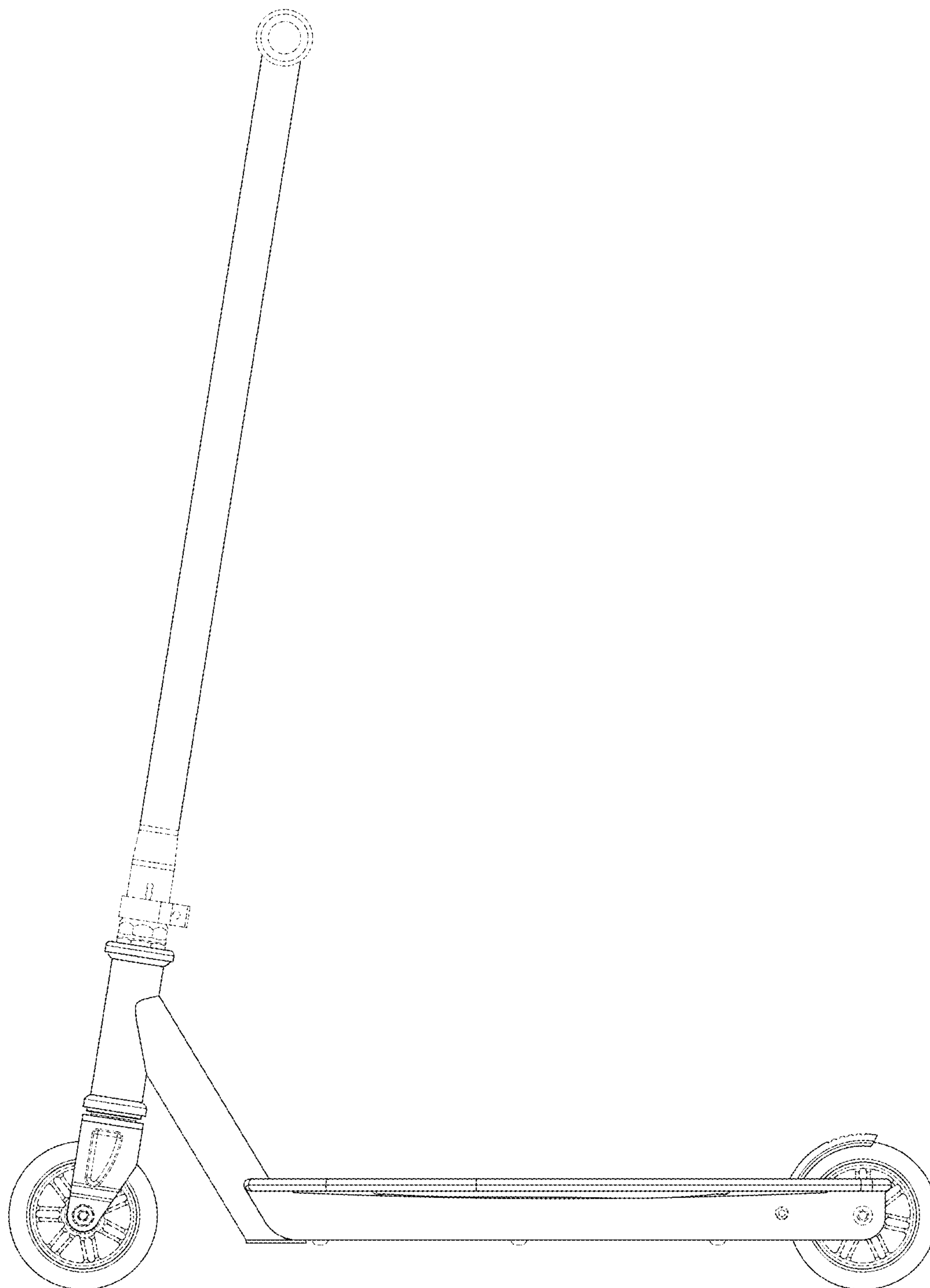


FIG. 2

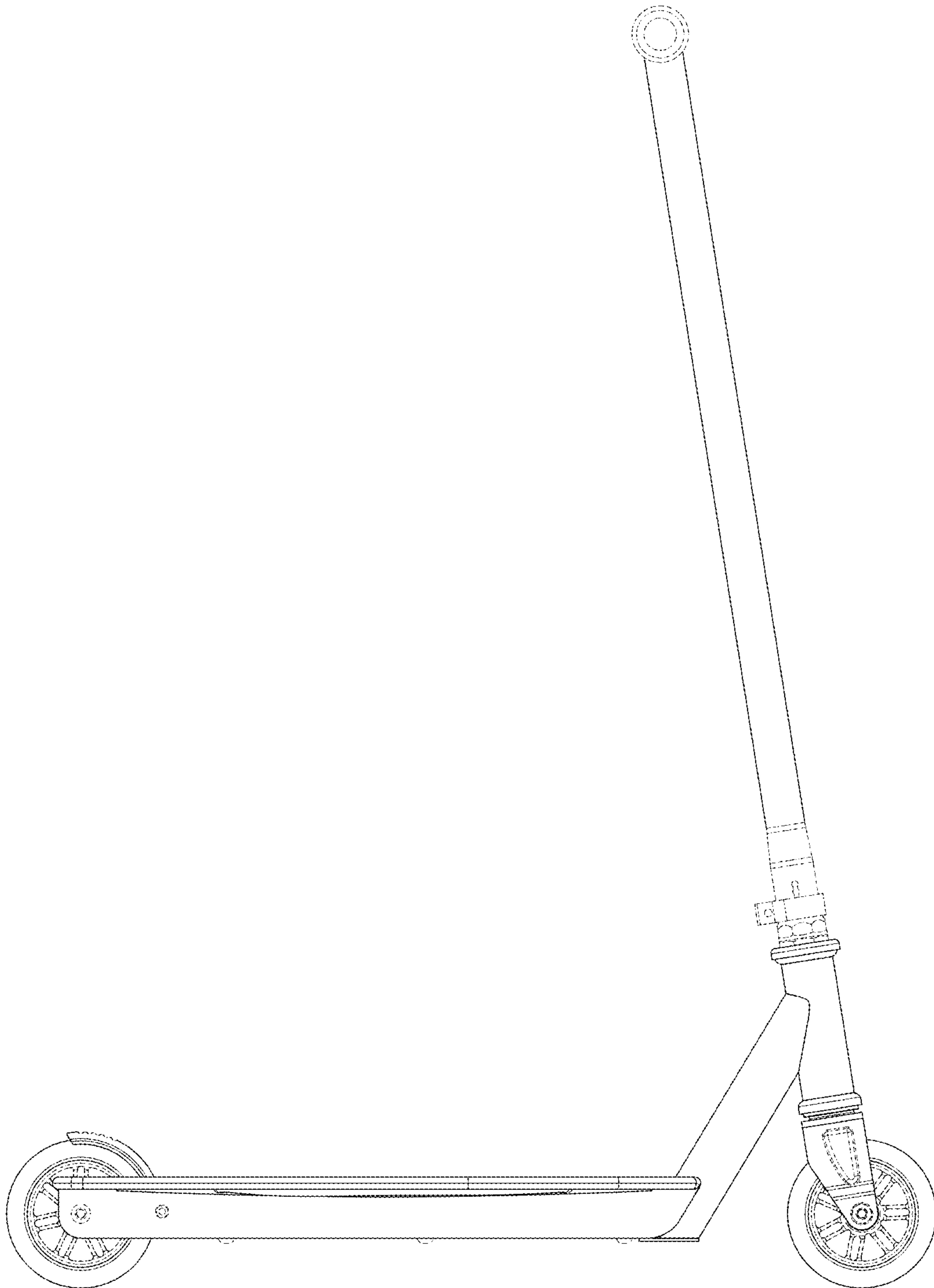


FIG. 3

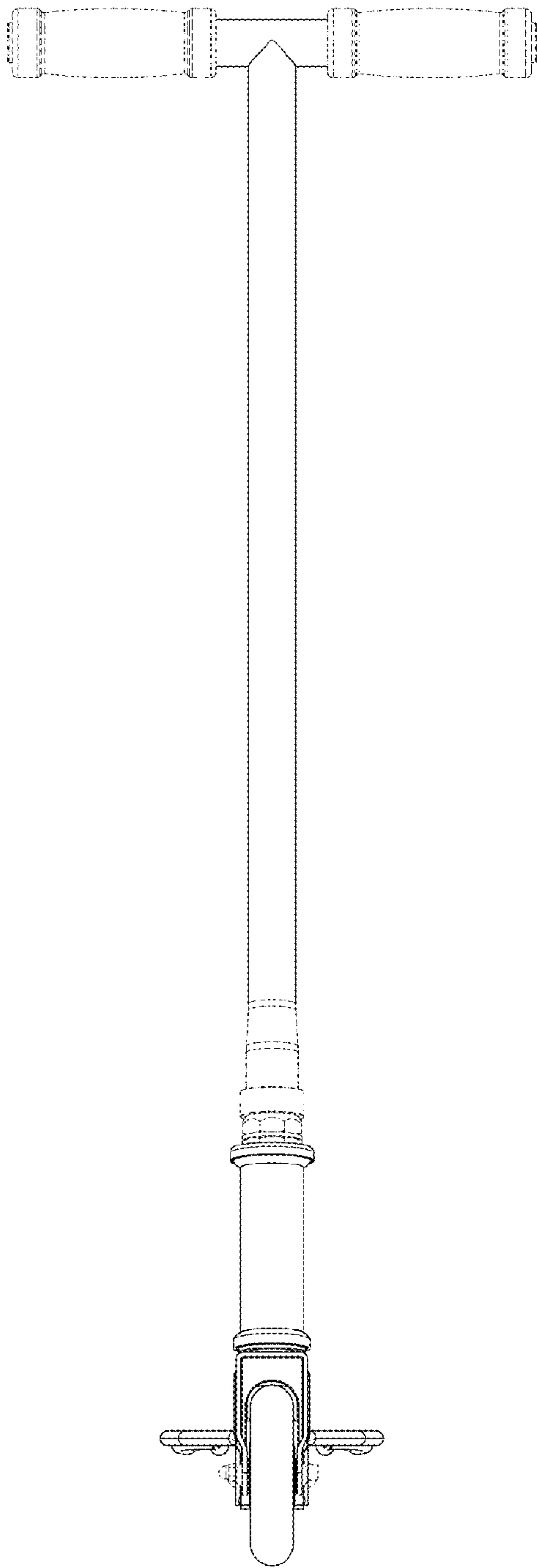


FIG. 4

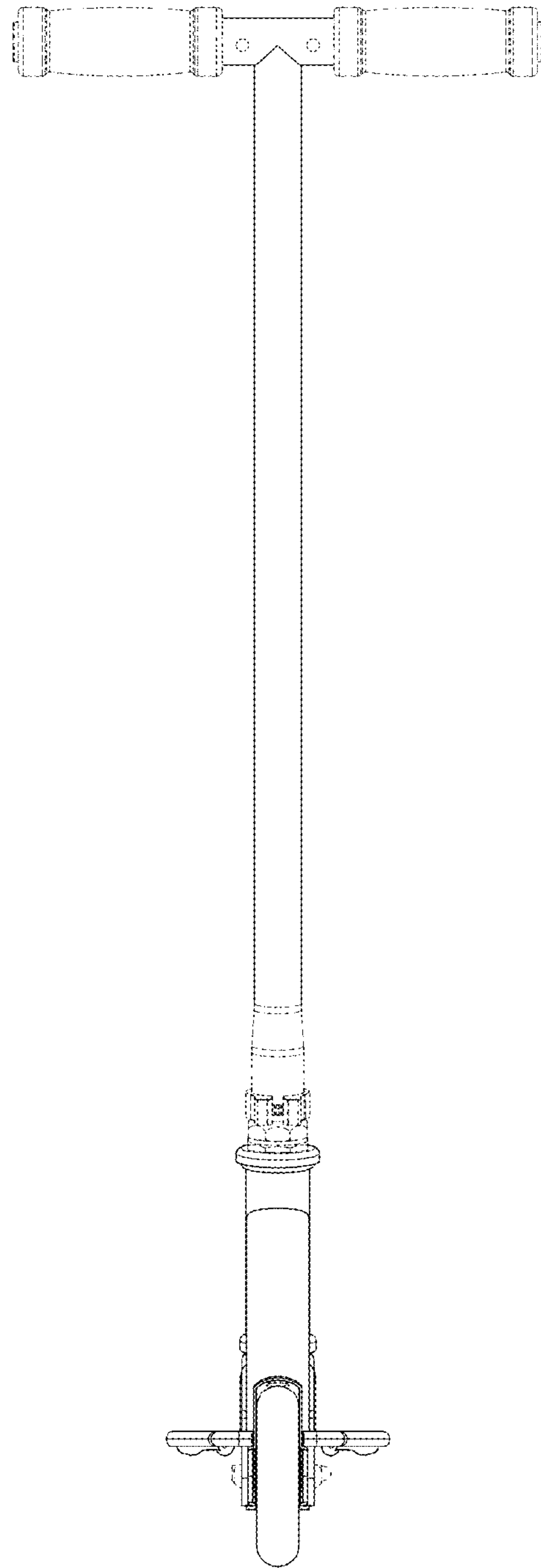


FIG. 5

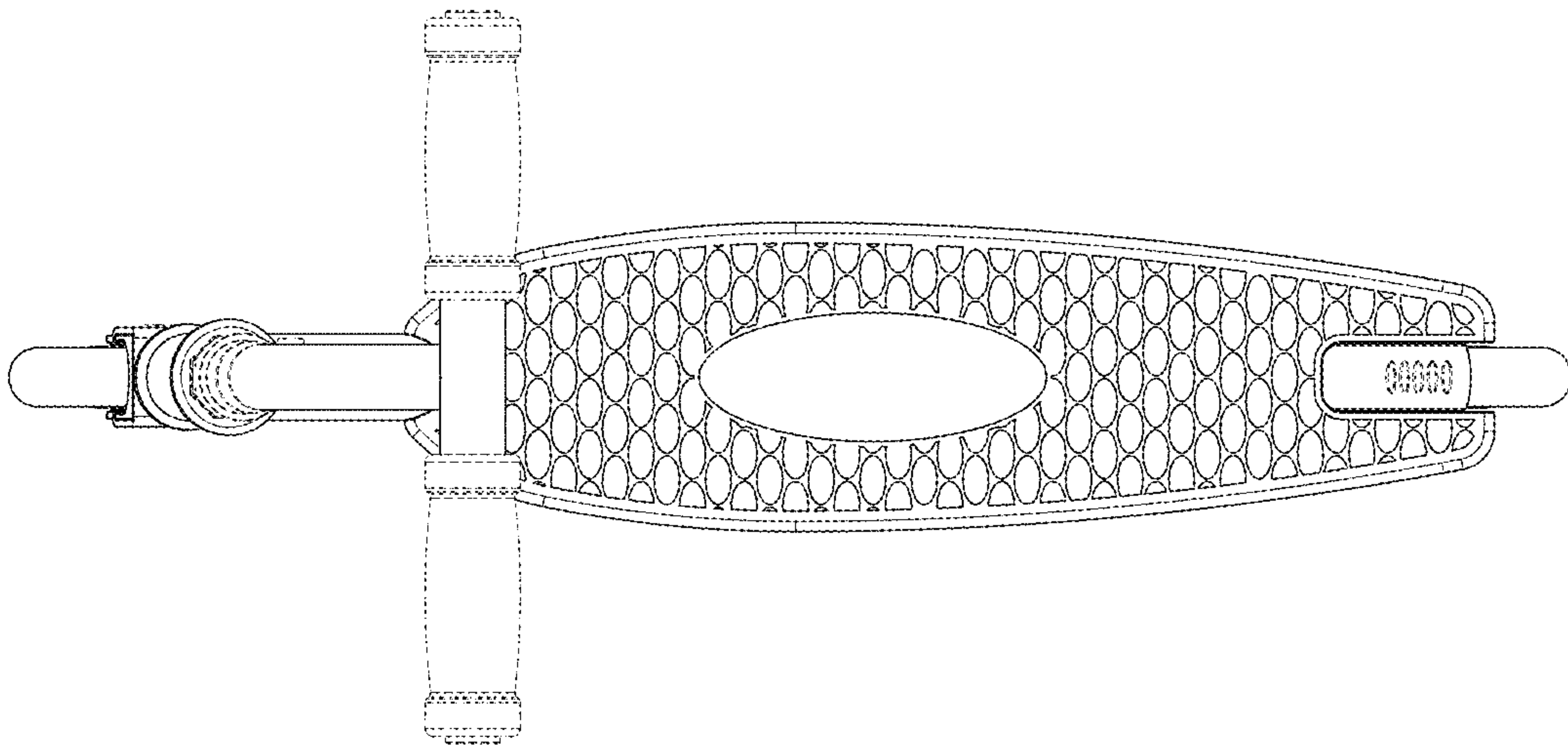


FIG. 6

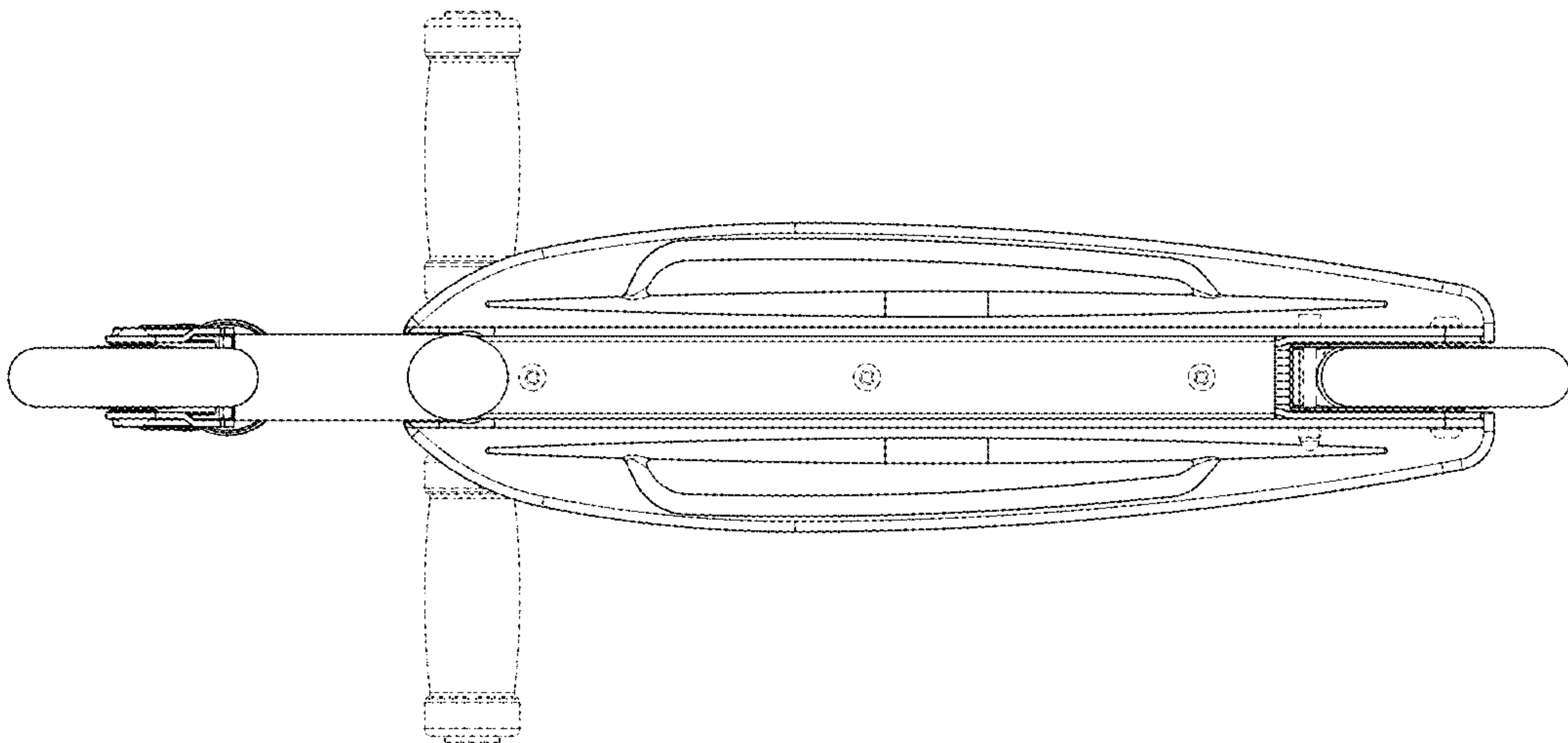


FIG. 7