



US00D686673S

(12) **United States Design Patent**
Soriano et al.

(10) **Patent No.:** **US D686,673 S**
(45) **Date of Patent:** **** Jul. 23, 2013**

- (54) **TOY BALL**
- (71) Applicant: **Kids II, Inc.**, Atlanta, GA (US)
- (72) Inventors: **Alex Soriano**, Atlanta, GA (US);
Charles Mitchell, Stone Mountain, GA (US)
- (73) Assignee: **Kids II, Inc.**, Atlanta, GA (US)
- (**) Term: **14 Years**
- (21) Appl. No.: **29/438,761**
- (22) Filed: **Dec. 3, 2012**

2,086,631	A *	7/1937	Munro	119/711
D226,773	S *	4/1973	Ehrenreich	D21/589
4,169,334	A *	10/1979	Breslow et al.	446/101
D256,705	S *	9/1980	Nakao et al.	D21/604
4,292,759	A *	10/1981	Nagode	446/289
D273,215	S *	3/1984	Sahler	D21/592
4,921,458	A *	5/1990	Greenwood	446/101
5,893,791	A *	4/1999	Wilkinson	446/456
6,332,851	B1 *	12/2001	Griffin	473/577
D535,068	S *	1/2007	Renforth	D30/160
7,246,574	B2 *	7/2007	Renforth	119/711
7,258,591	B2 *	8/2007	Xu et al.	446/273
D564,048	S *	3/2008	Sato et al.	D21/584
2002/0013117	A1 *	1/2002	Rudell	446/431
2006/0249096	A1 *	11/2006	Gick	119/707
2011/0294394	A1 *	12/2011	Nelson et al.	446/325

* cited by examiner

Related U.S. Application Data

- (62) Division of application No. 29/379,719, filed on Nov. 23, 2010, now Pat. No. Des. 675,679.
- (51) **LOC (9) Cl.** **21-01**
- (52) **U.S. Cl.**
USPC **D21/398**; D21/713
- (58) **Field of Classification Search**
USPC D21/398, 405-408, 439, 466, 498,
D21/576-659, 707-714; D30/160; D11/121,
D11/125, 127-129; 446/72, 175, 220-226,
446/234, 236-238, 268-294, 324-326, 391,
446/396, 400, 409, 431, 437-439, 457, 458;
428/11; 119/707-711; 473/569-615
See application file for complete search history.

Primary Examiner — Catherine Tuttle

(74) *Attorney, Agent, or Firm* — Alston & Bird LLP

(57) **CLAIM**

We claim the ornamental design for a toy ball, as shown and described.

DESCRIPTION

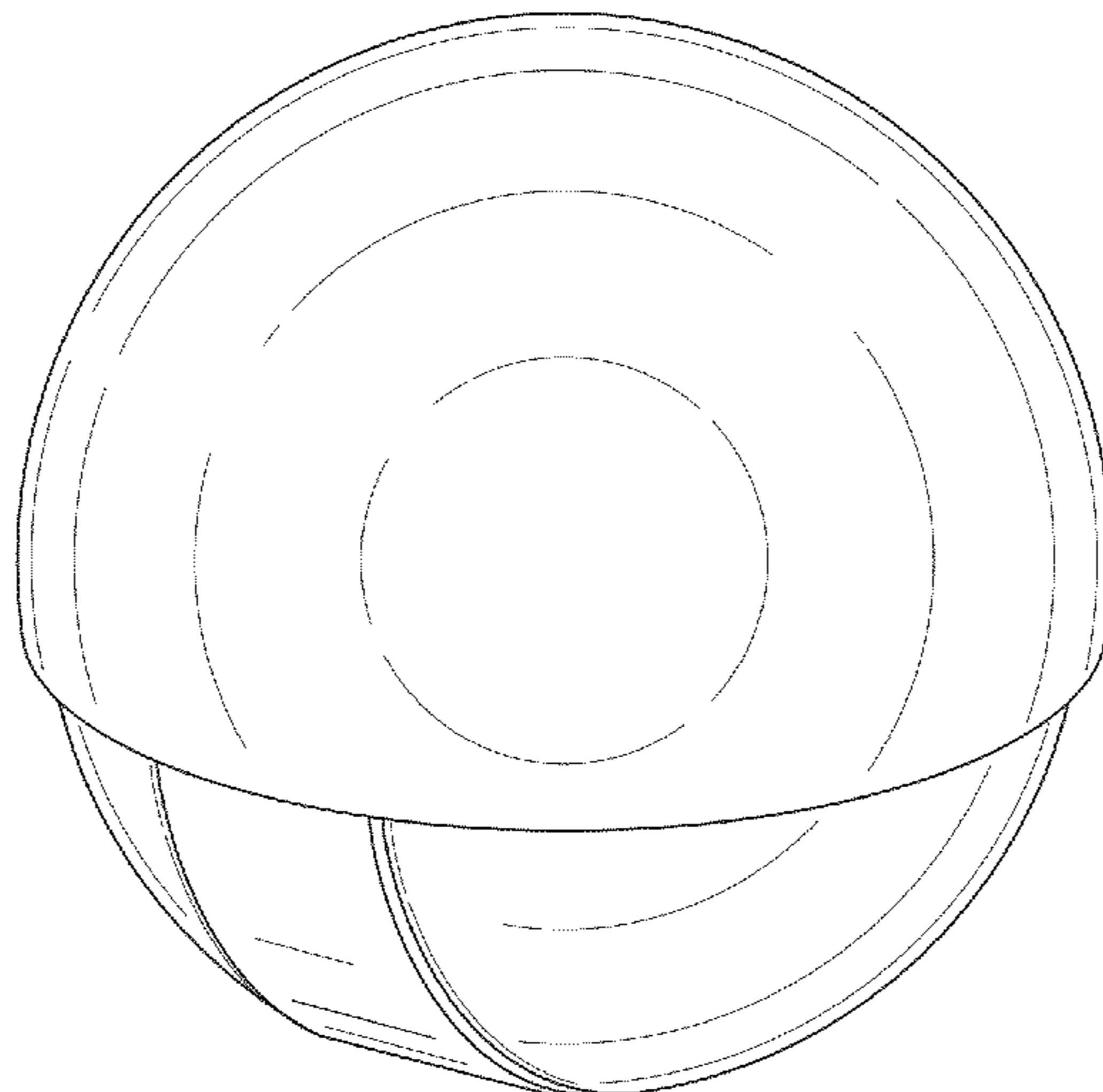
FIG. 1 is a front elevation view of a toy ball showing our new design;
 FIG. 2 is a left side elevation view thereof;
 FIG. 3 is a right side elevation view thereof;
 FIG. 4 is a top view thereof;
 FIG. 5 is a bottom view thereof; and,
 FIG. 6 is a perspective view thereof.
 The broken lines shown in FIG. 5 herein are included for the purpose of illustrating portions of the toy ball that form no part of the claimed design.

1 Claim, 4 Drawing Sheets

(56) **References Cited**

U.S. PATENT DOCUMENTS

216,124	A *	6/1879	Adams	473/575
D51,024	S *	7/1917	Morse	D7/595
1,763,903	A *	6/1930	Perkins	446/273



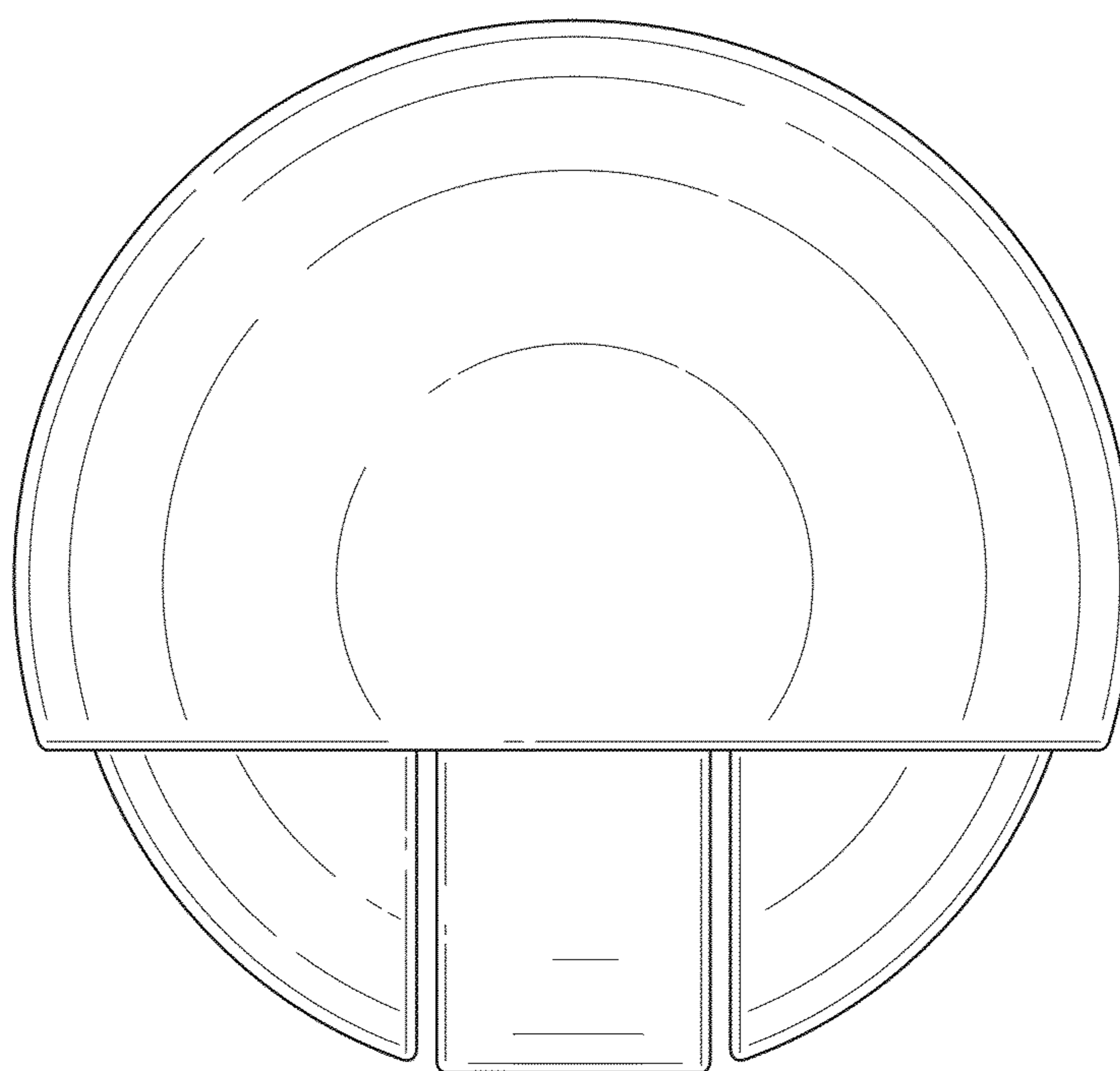


FIG. 1

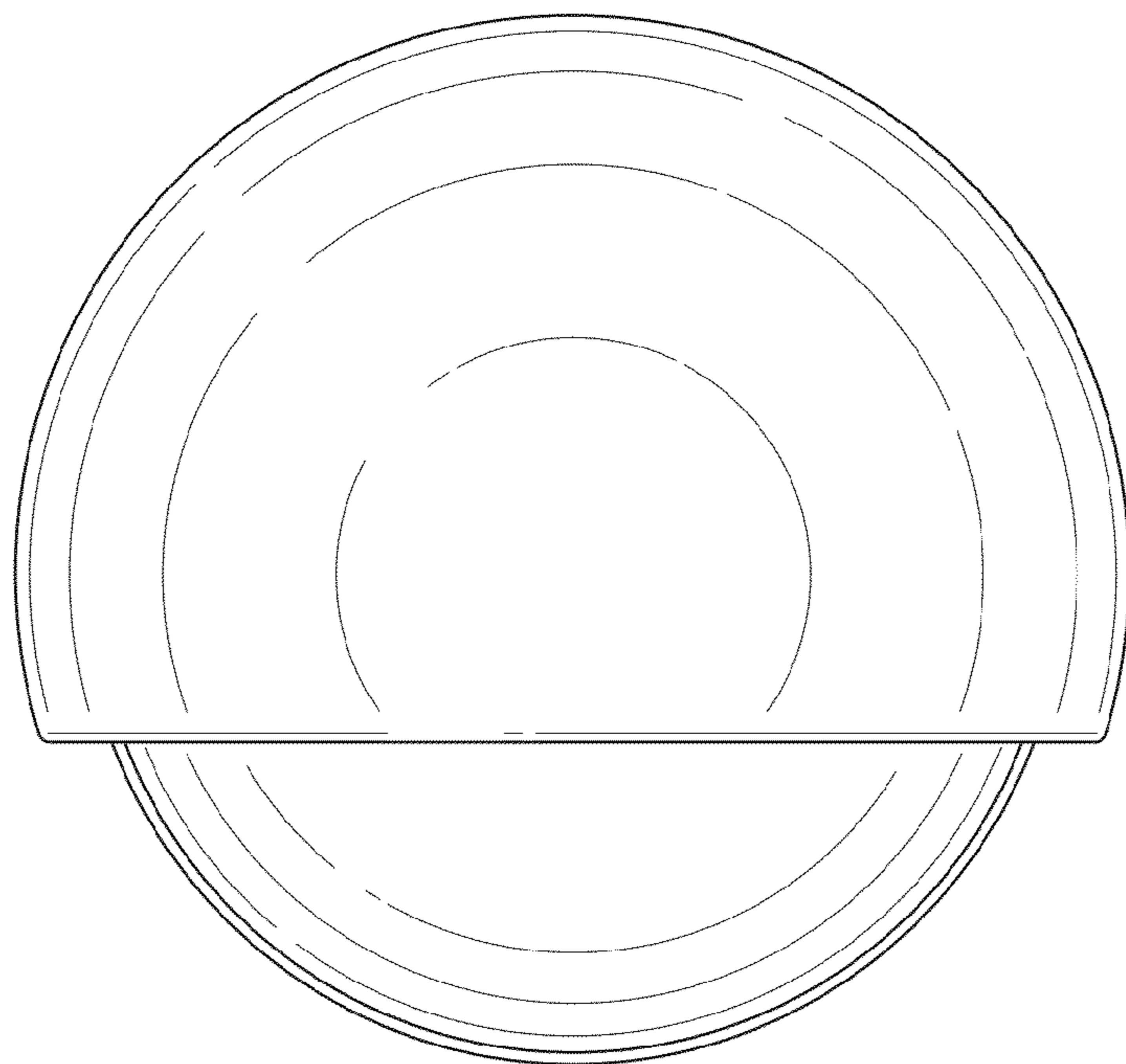


FIG. 2

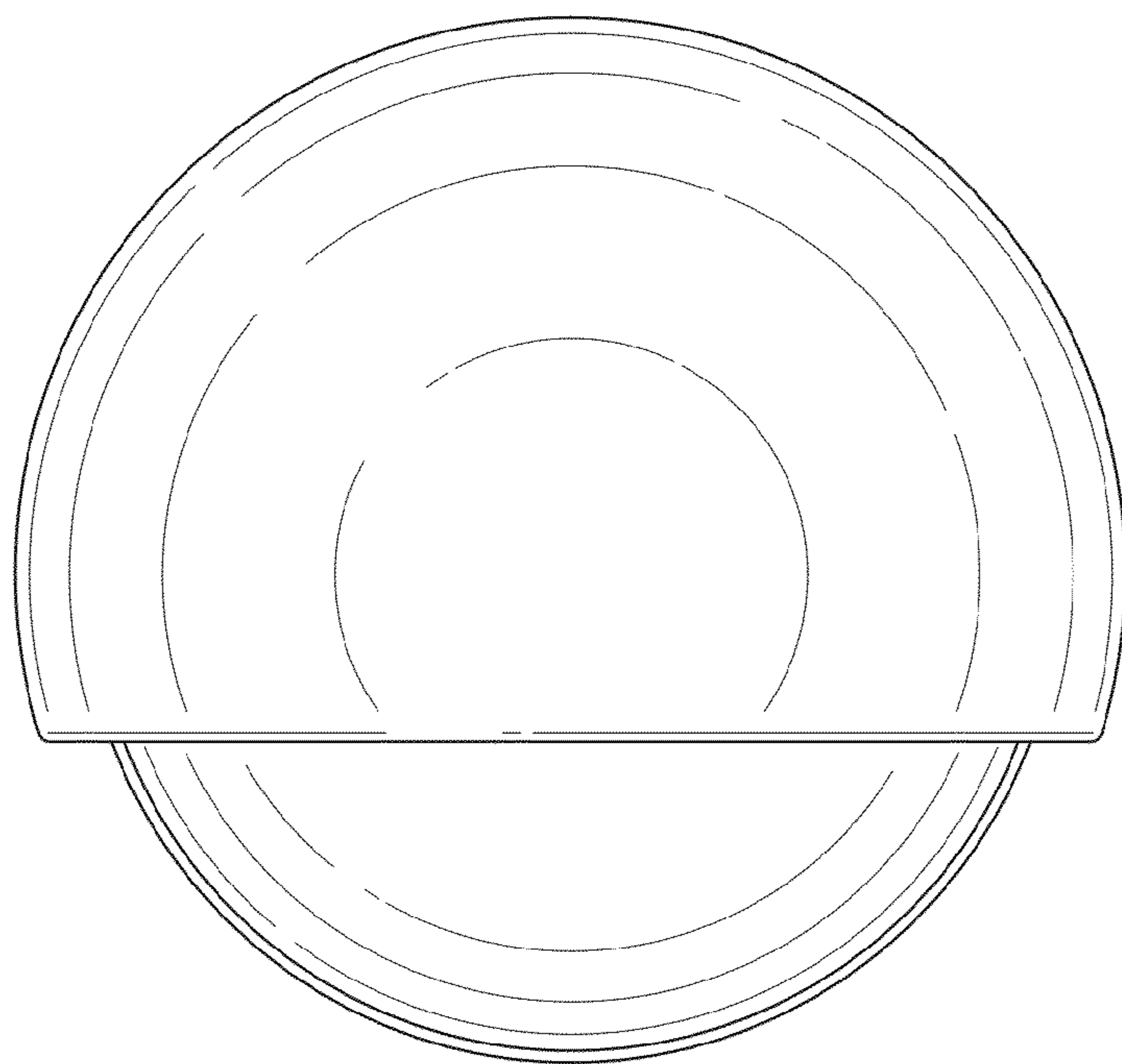


FIG. 3

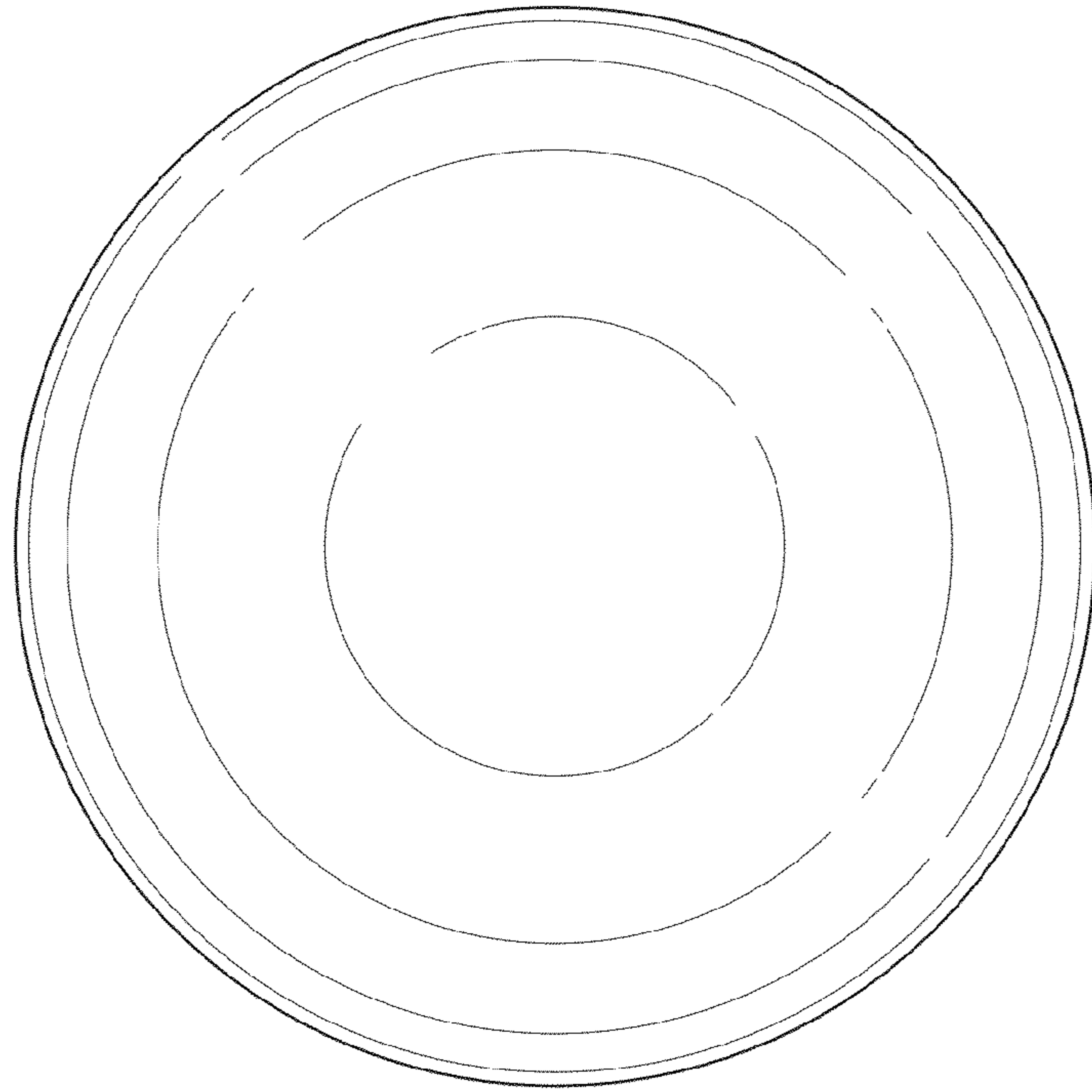


FIG. 4

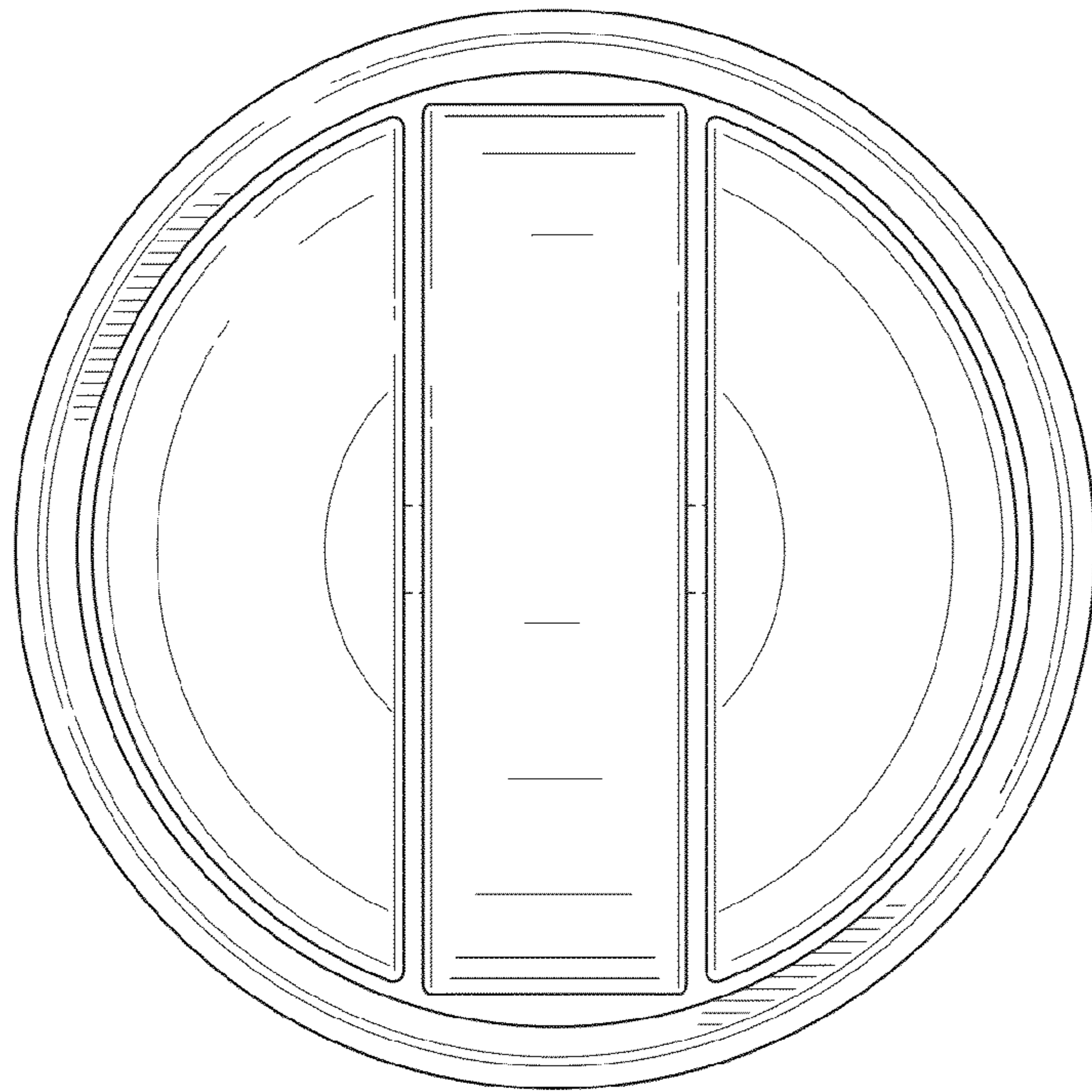


FIG. 5

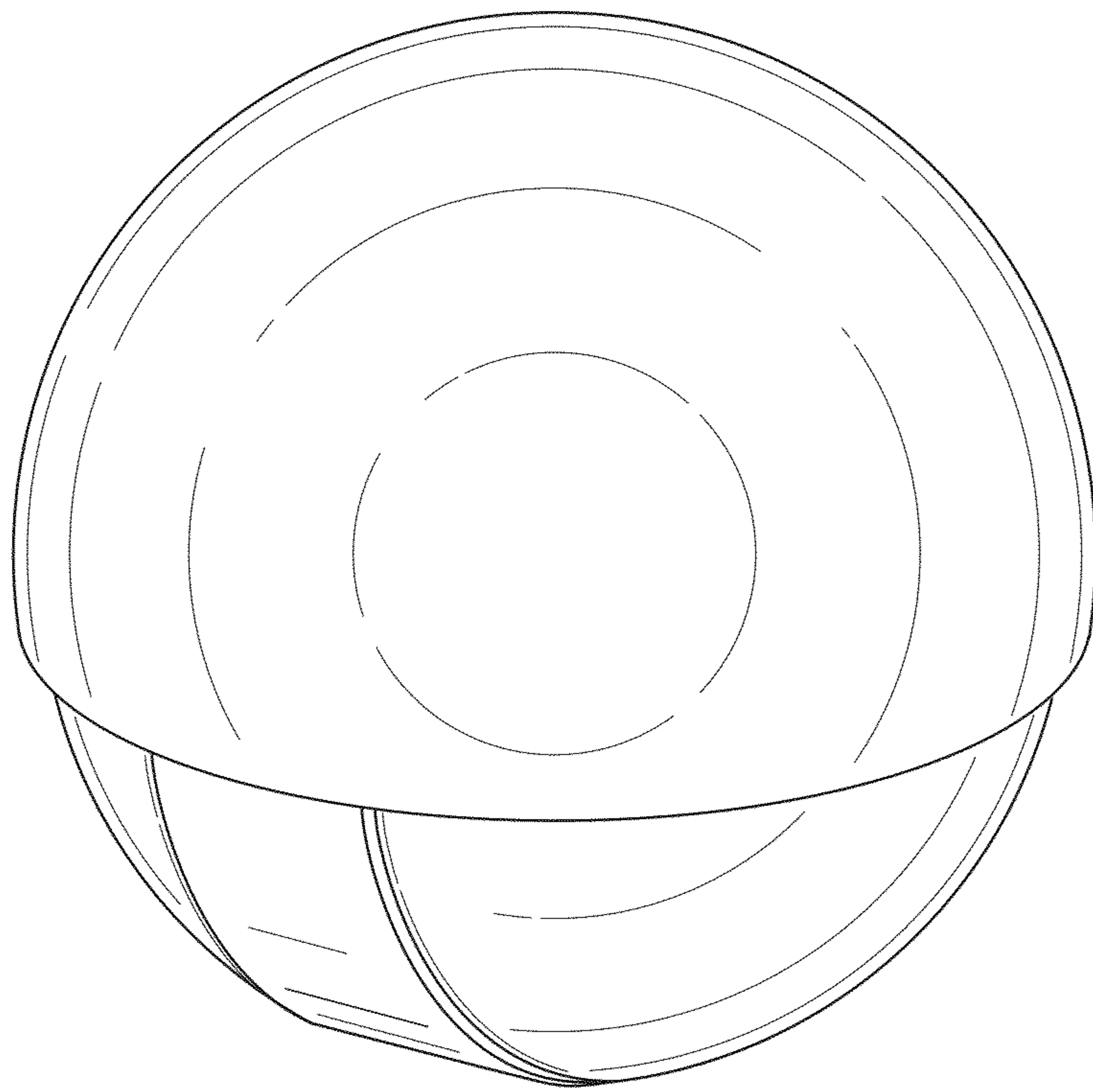


FIG. 6