



US00D686668S

(12) **United States Design Patent**
Hodges

(10) **Patent No.:** **US D686,668 S**

(45) **Date of Patent:** **** Jul. 23, 2013**

(54) **SOLAR-POWERED ILLUMINATED HOLIDAY SIGN**

(76) Inventor: **Latrice Hodges**, Chicago, IL (US)

(**) Term: **14 Years**

(21) Appl. No.: **29/399,776**

(22) Filed: **Aug. 18, 2011**

(51) **LOC (9) Cl.** **20-03**

(52) **U.S. Cl.**
USPC **D20/31**

(58) **Field of Classification Search**
USPC D20/10, 19, 21, 29-34, 37, 40, 42, D20/99; 40/1, 124.01-124.09, 124.11-124.19, 40/124.191, 411, 421, 446, 538, 541, 542, 40/544, 584; D11/117, 121, 125; D21/623; D26/26, 47, 73, 94; 362/812; 428/16
See application file for complete search history.

(56) **References Cited**

U.S. PATENT DOCUMENTS

3,680,237	A	8/1972	Finnerty, Sr.	
D242,641	S *	12/1976	Neville	D21/623
D333,281	S	2/1993	Mankey	
D339,764	S *	9/1993	Reed et al.	D11/125
5,315,495	A	5/1994	Buser	
5,672,396	A *	9/1997	Zinbarg et al.	428/16

D415,063	S *	10/1999	Wims et al.	D11/121
6,004,002	A	12/1999	Giannone	
D429,366	S *	8/2000	Lin	D26/94
D486,252	S *	2/2004	Yu	D26/26
6,776,687	B2 *	8/2004	Becking	446/485
D559,726	S *	1/2008	Garrison	D11/121
D580,079	S *	11/2008	van der Lande	D26/47
2004/0093778	A1	5/2004	Asvadi	
2004/0177538	A1	9/2004	De Ruyter et al.	
2006/0260161	A1	11/2006	Hamilton	

* cited by examiner

Primary Examiner — Mary Ann Calabrese
(74) *Attorney, Agent, or Firm* — Montgomery Patent & Design; Robert C. Montgomery

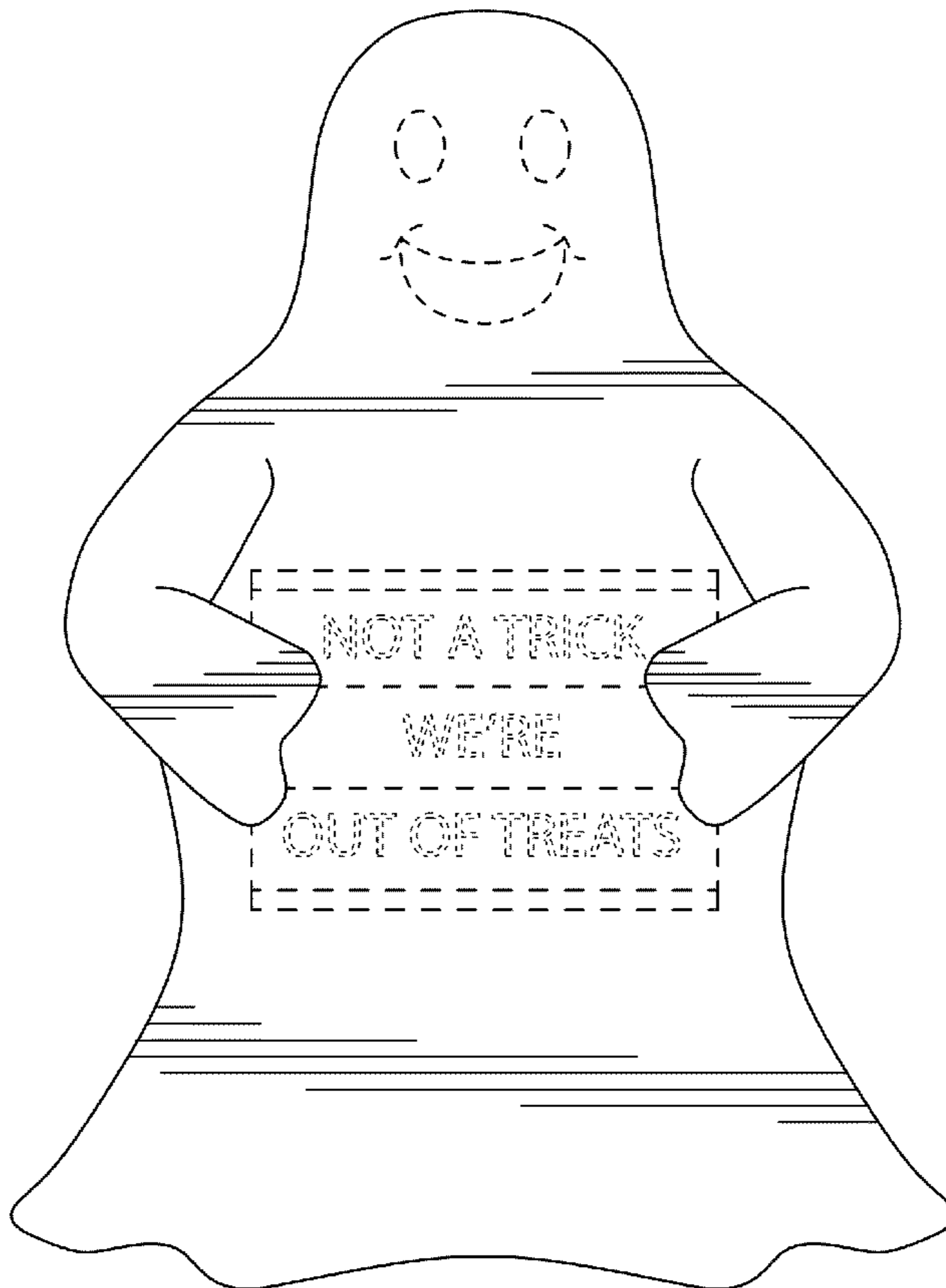
(57) **CLAIM**
The ornamental design for a solar-powered illuminated holiday sign, as shown and described.

DESCRIPTION

FIG. 1 is a front view of a solar-powered illuminated holiday sign, showing my new design;
FIG. 2 is a rear view thereof;
FIG. 3 is a left side view thereof with a right side view being a mirror image;
FIG. 4 is a top view thereof; and,
FIG. 5 is a bottom view thereof.

The broken line showing of inner features is for the purpose of illustrating surface features and forms no part of the claimed design.

1 Claim, 4 Drawing Sheets



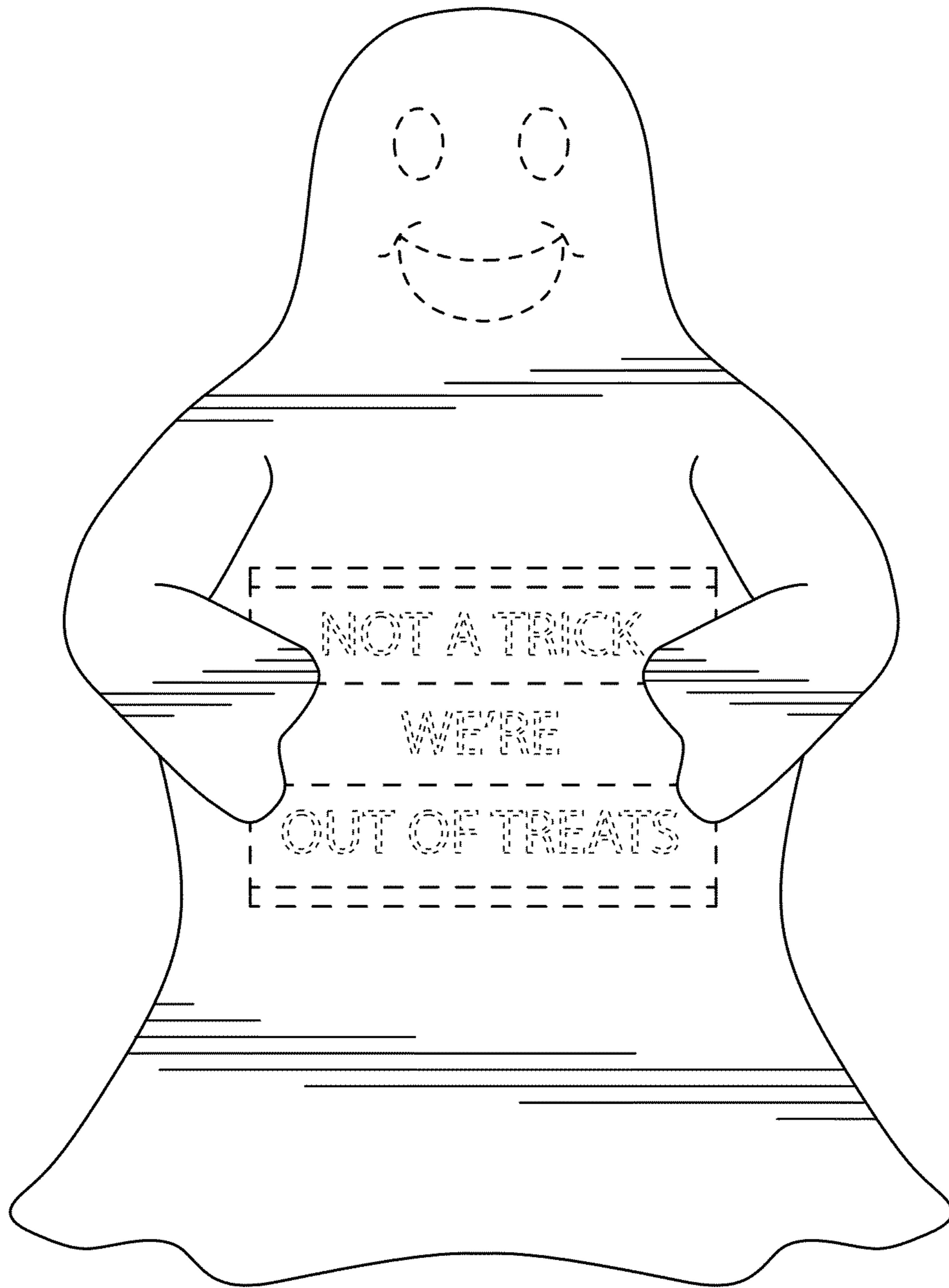


Fig. 1

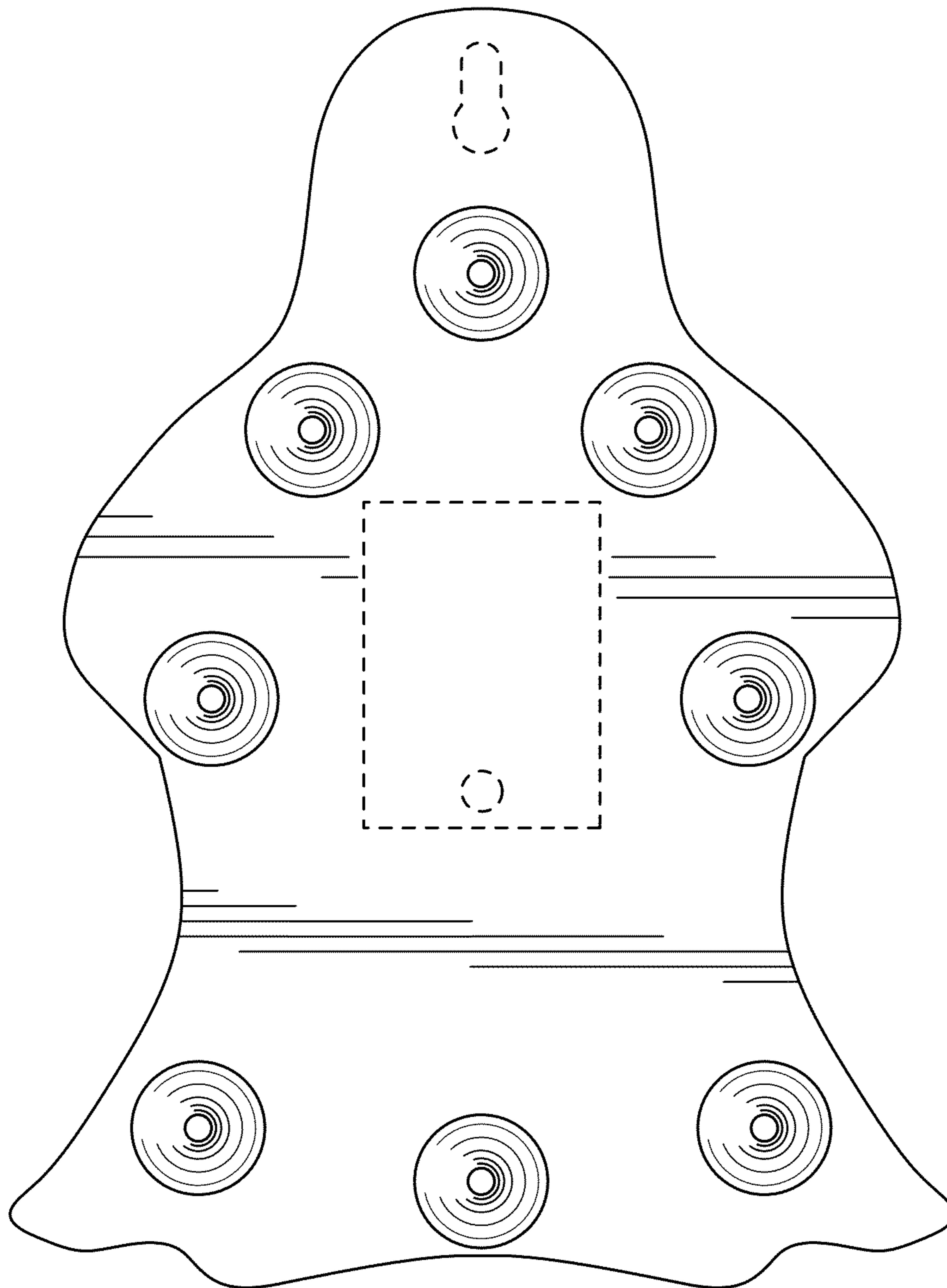


Fig. 2

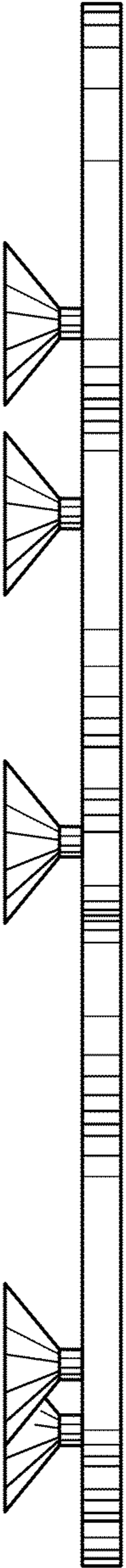


Fig. 3

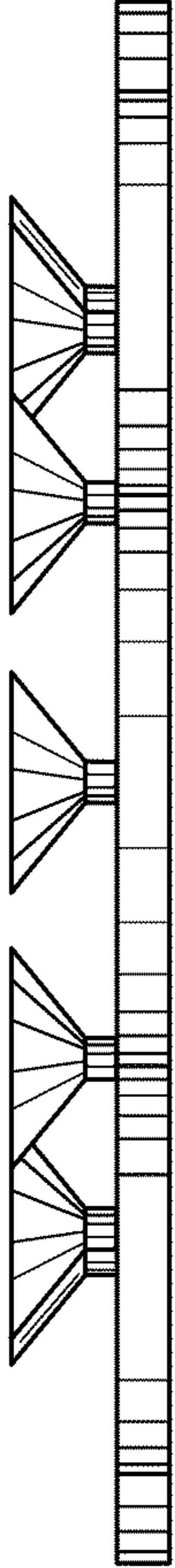


Fig. 4

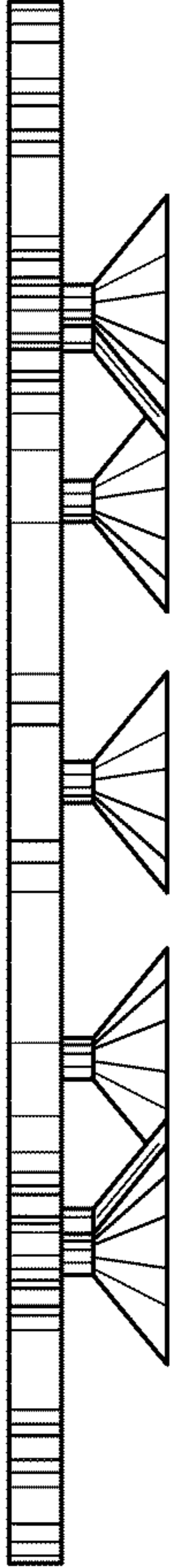


Fig. 5