



US00D686659S

(12) **United States Design Patent**  
**Tanaka et al.**

(10) **Patent No.:** **US D686,659 S**  
(45) **Date of Patent:** **\*\* Jul. 23, 2013**

(54) **PRINTER**

(75) Inventors: **Yoshiyuki Tanaka**, Matsumoto (JP);  
**Mugio Kawasaki**, Suwa (JP); **Hiromi Shishiuchi**, Shiojiri (JP); **Satoshi Tamai**,  
Matsumoto (JP); **Seiji Kawabata**,  
Matsumoto (JP); **Koji Hara**, Shiojiri (JP)

(73) Assignee: **Seiko Epson Corporation**, Tokyo (JP)

(\*\*) Term: **14 Years**

(21) Appl. No.: **29/419,198**

(22) Filed: **Apr. 26, 2012**

(30) **Foreign Application Priority Data**

Dec. 27, 2011 (JP) ..... 2011-030199

(51) **LOC (9) Cl.** ..... **14-02**

(52) **U.S. Cl.**  
USPC ..... **D18/55**

(58) **Field of Classification Search**  
USPC . D18/36-38, 50, 54-54.1, 55; D14/420-425,  
D14/462-470; 400/613, 613.1-613.4,  
690.1-690.4, 691-694  
See application file for complete search history.

(56) **References Cited**

U.S. PATENT DOCUMENTS

D501,667 S \* 2/2005 Ishigami et al. .... D18/50  
D528,154 S \* 9/2006 Hattori ..... D18/54  
D528,596 S \* 9/2006 Hattori ..... D18/54

D532,450 S \* 11/2006 Smith et al. .... D18/55  
D533,218 S \* 12/2006 Gant et al. .... D18/55  
D555,194 S \* 11/2007 Smith et al. .... D18/55  
D556,256 S \* 11/2007 Matsumoto et al. .... D18/55  
D561,250 S \* 2/2008 Smith et al. .... D18/55  
D561,251 S \* 2/2008 Tjin Wong Joe et al. .... D18/55  
D581,976 S \* 12/2008 Park et al. .... D18/55  
D595,347 S \* 6/2009 Tjin Wong Joe et al. .... D18/55  
D596,226 S \* 7/2009 Yamaguchi ..... D18/55  
D609,270 S \* 2/2010 Kato et al. .... D18/55  
D611,091 S \* 3/2010 Ishikawa et al. .... D18/55  
D660,351 S \* 5/2012 Larson et al. .... D18/55  
D666,239 S \* 8/2012 Larson et al. .... D18/55  
D667,488 S \* 9/2012 Inoue et al. .... D18/55

\* cited by examiner

*Primary Examiner* — Cathy A MacCormac

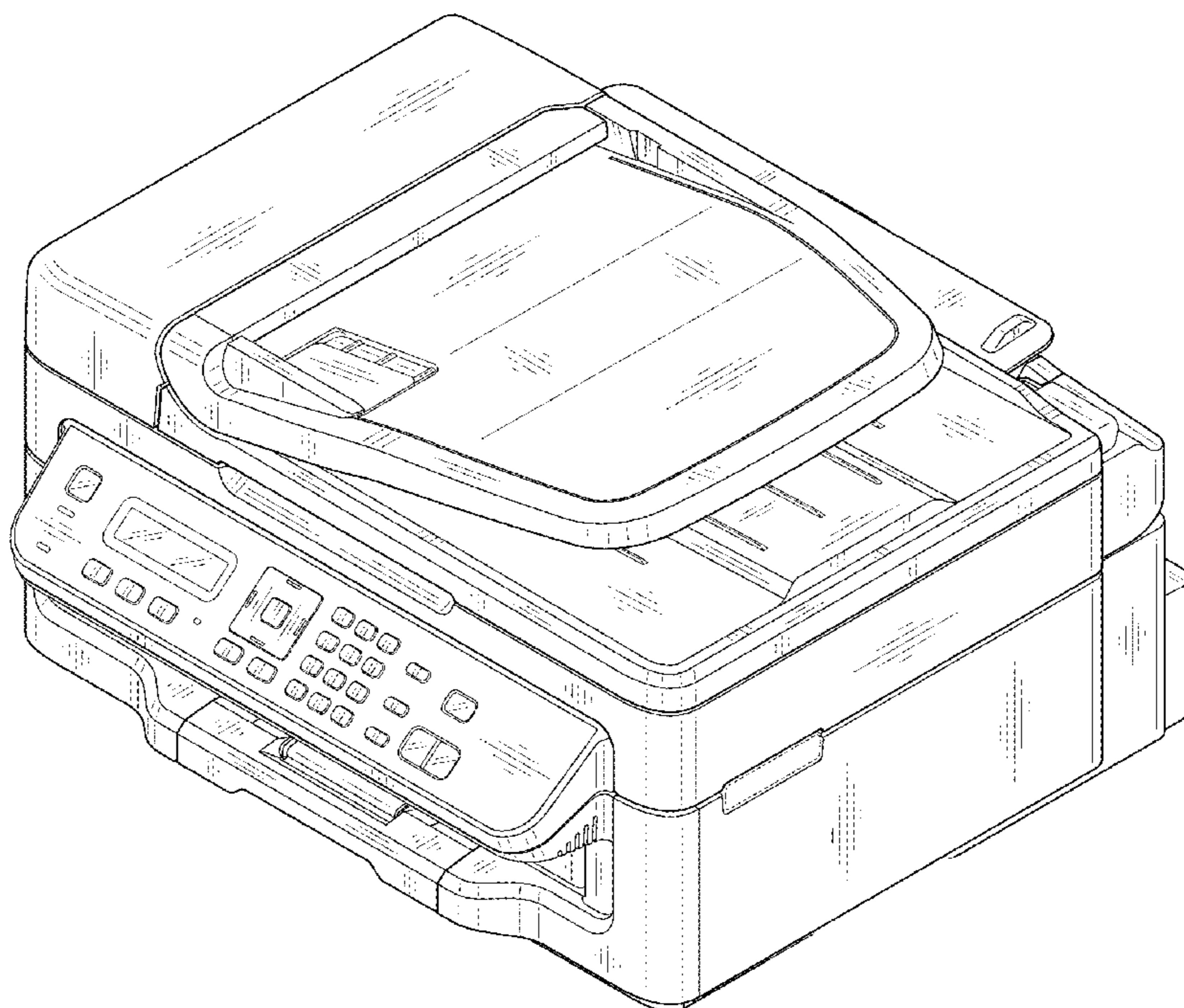
(57) **CLAIM**

The ornamental design for a printer, as shown and described.

**DESCRIPTION**

FIG. 1 is a front, top and right side perspective view of a printer showing our new design;  
FIG. 2 is a rear, top and left side perspective view thereof;  
FIG. 3 is a front elevational view thereof;  
FIG. 4 is a rear elevational view thereof;  
FIG. 5 is a left side elevational view thereof;  
FIG. 6 is a right side elevational view thereof;  
FIG. 7 is a top plan view thereof; and,  
FIG. 8 is a bottom plan view thereof.  
The broken lines are for illustration only and form no part of the claimed design.

**1 Claim, 6 Drawing Sheets**



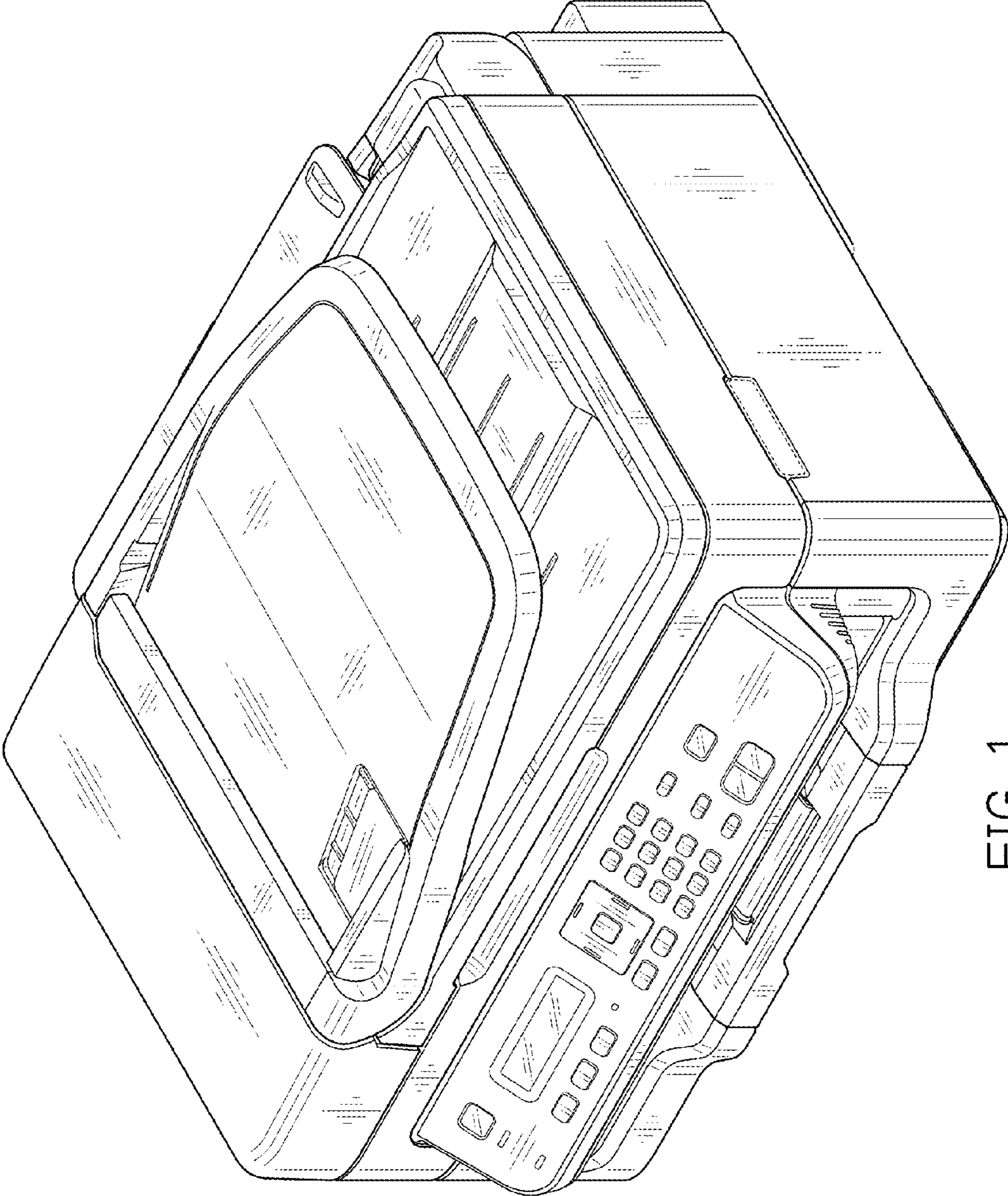


FIG. 1



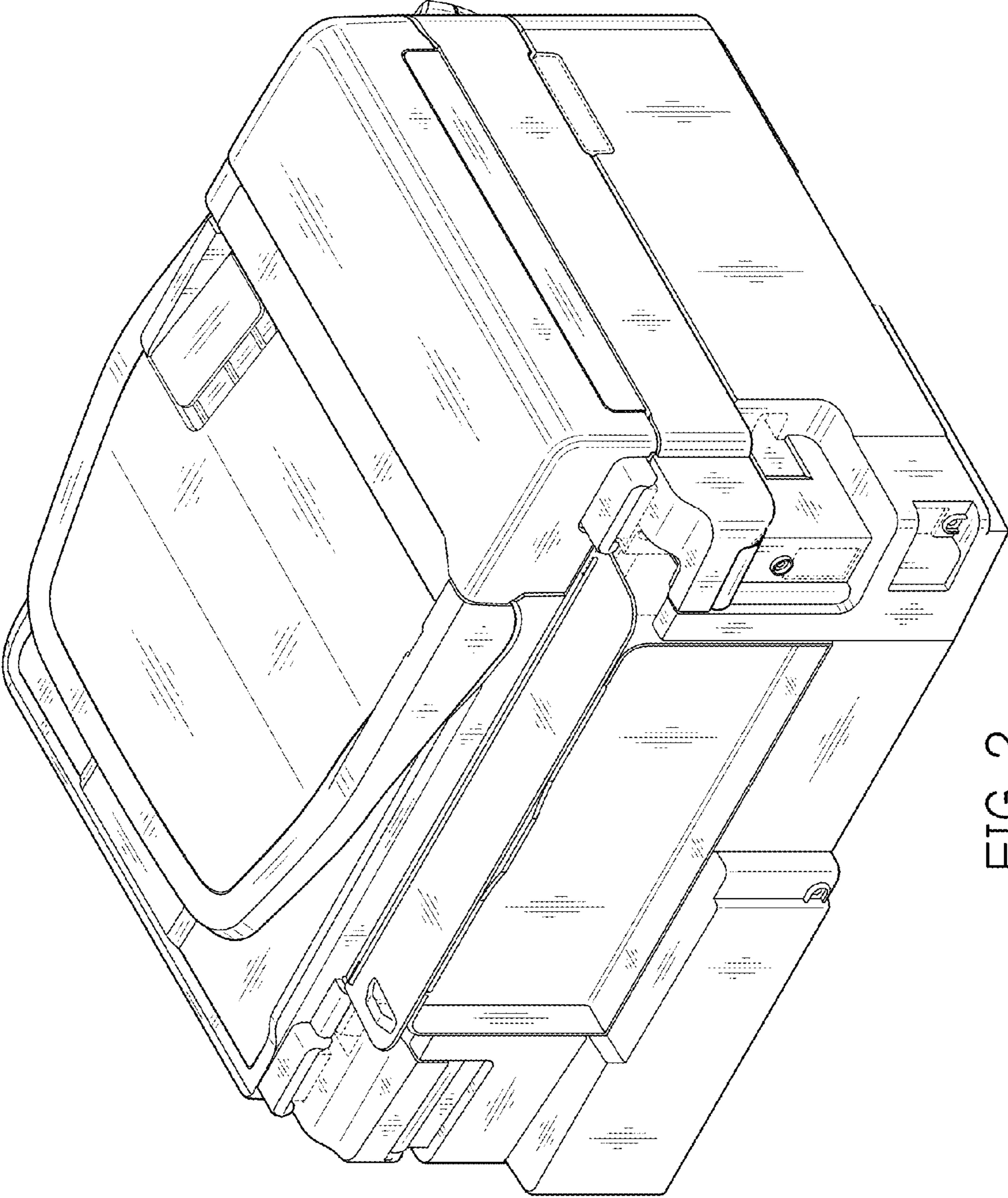


FIG. 2

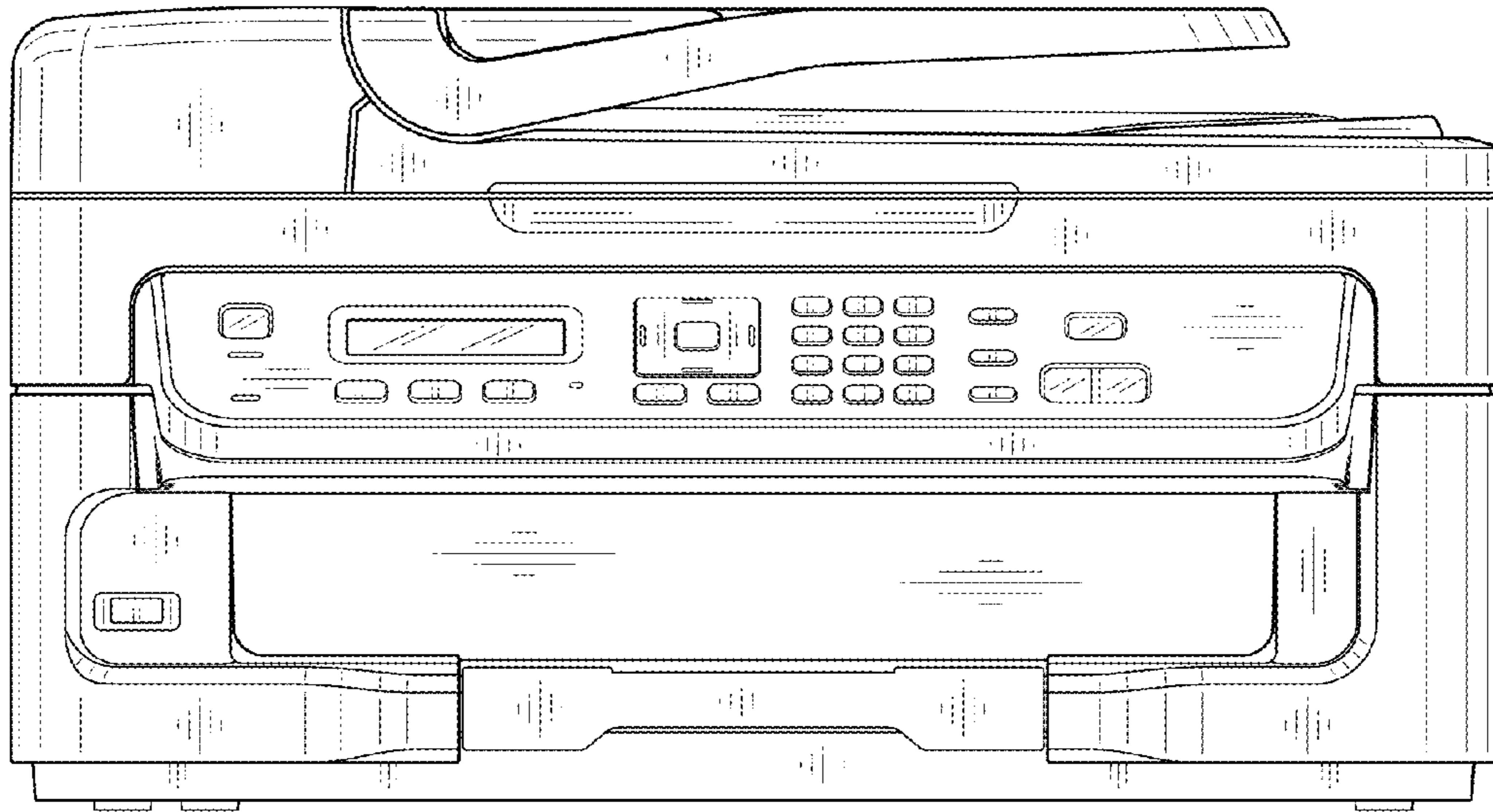


FIG. 3

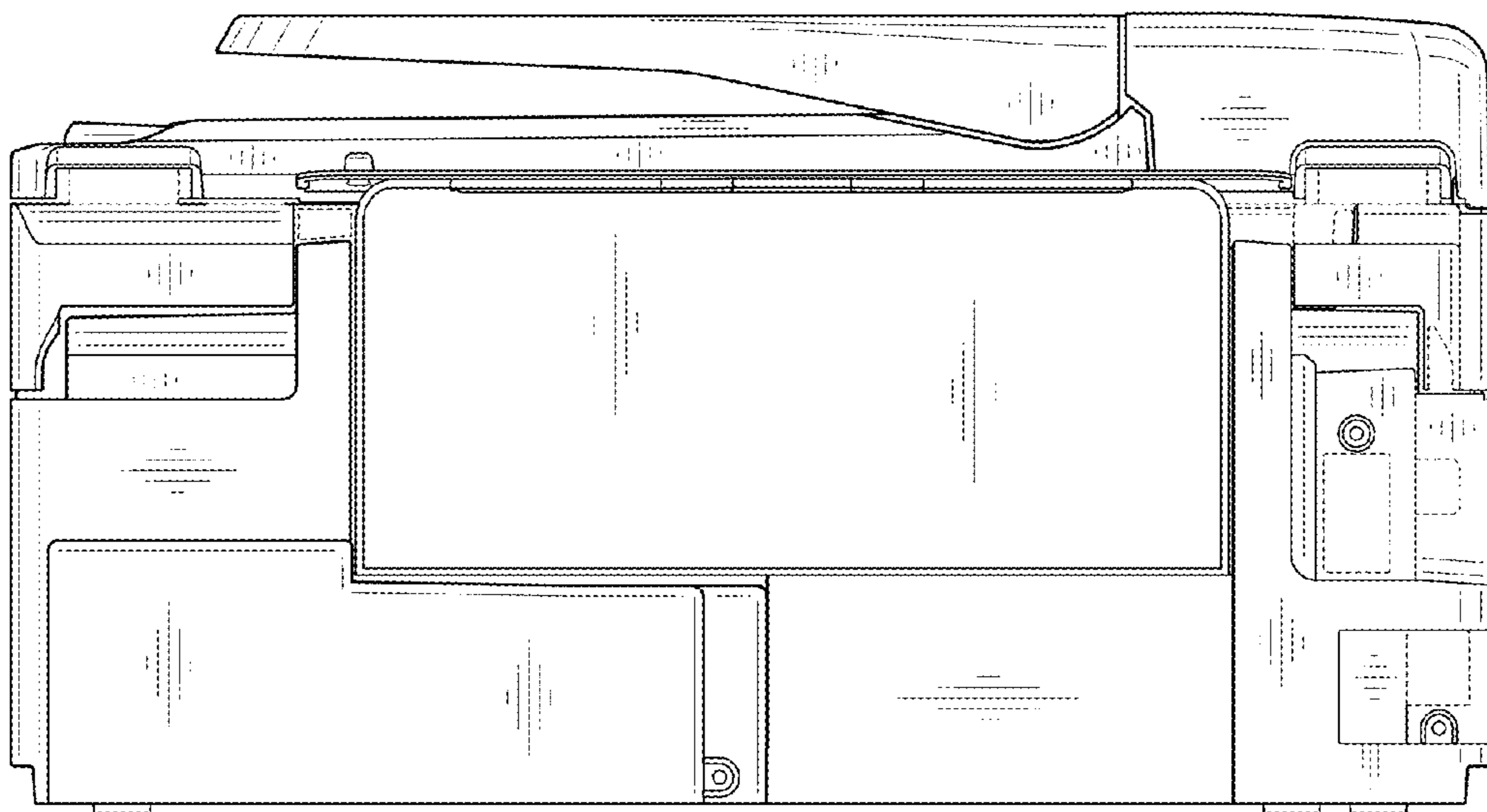


FIG. 4

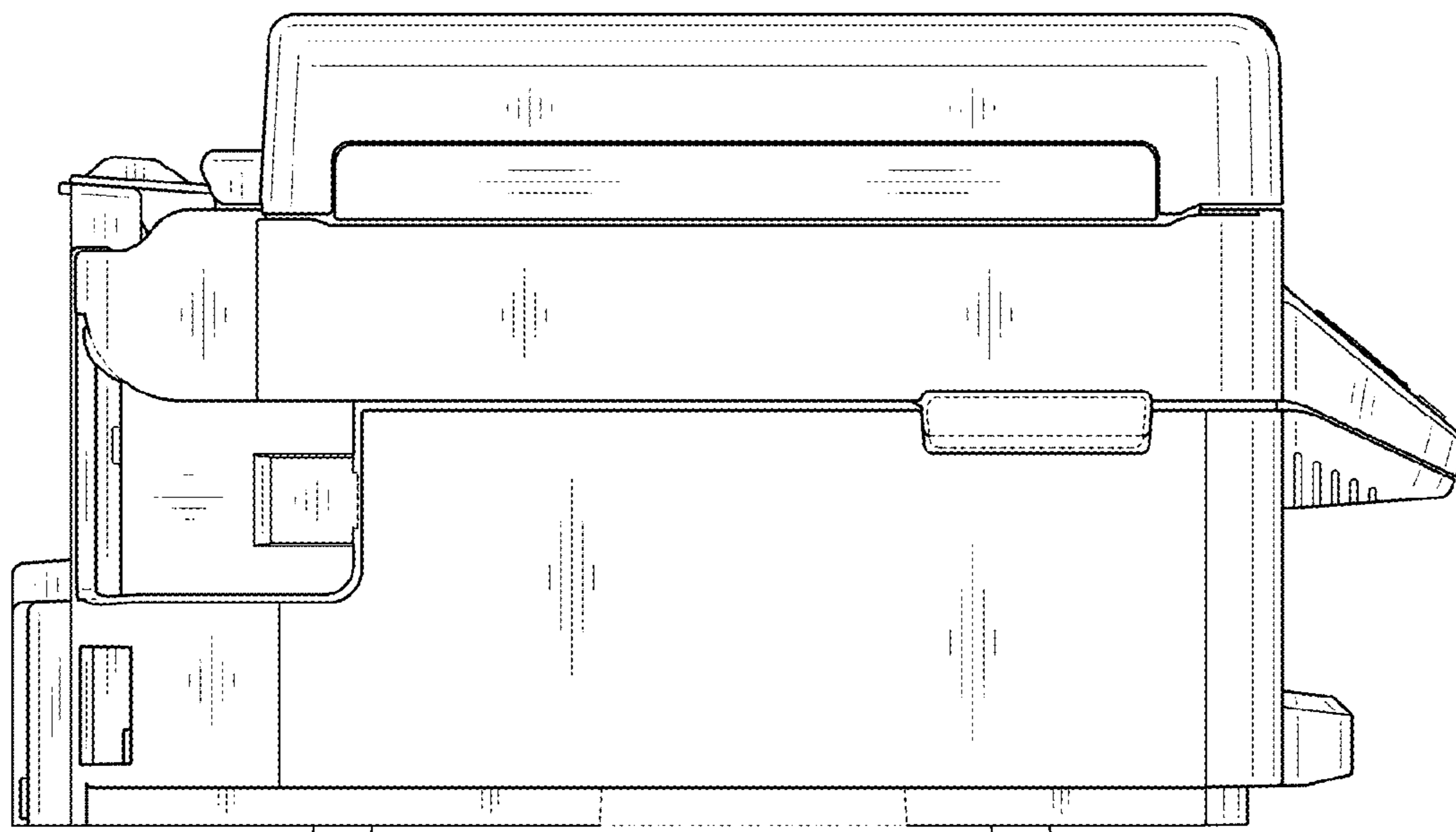


FIG. 5

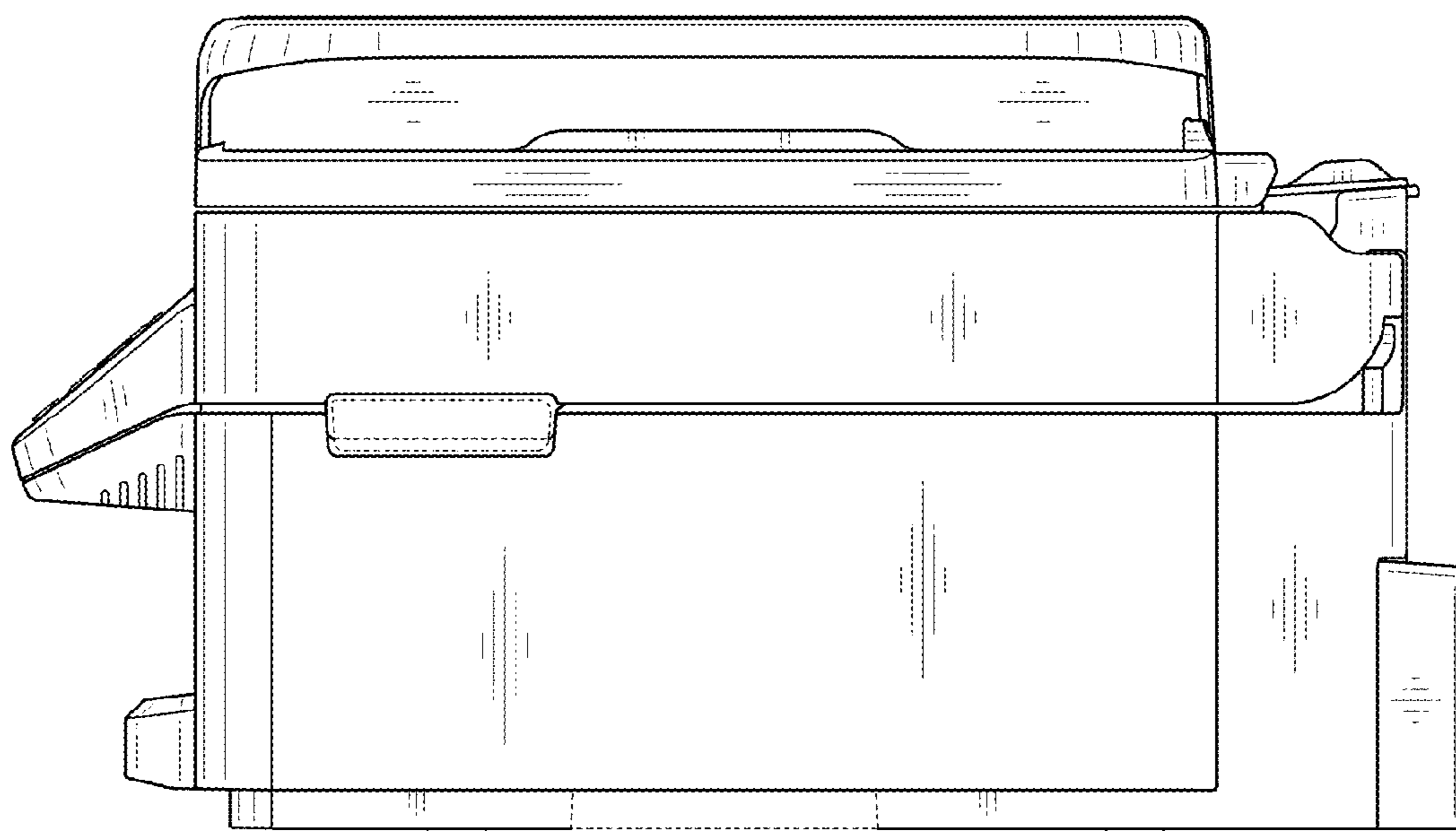


FIG. 6

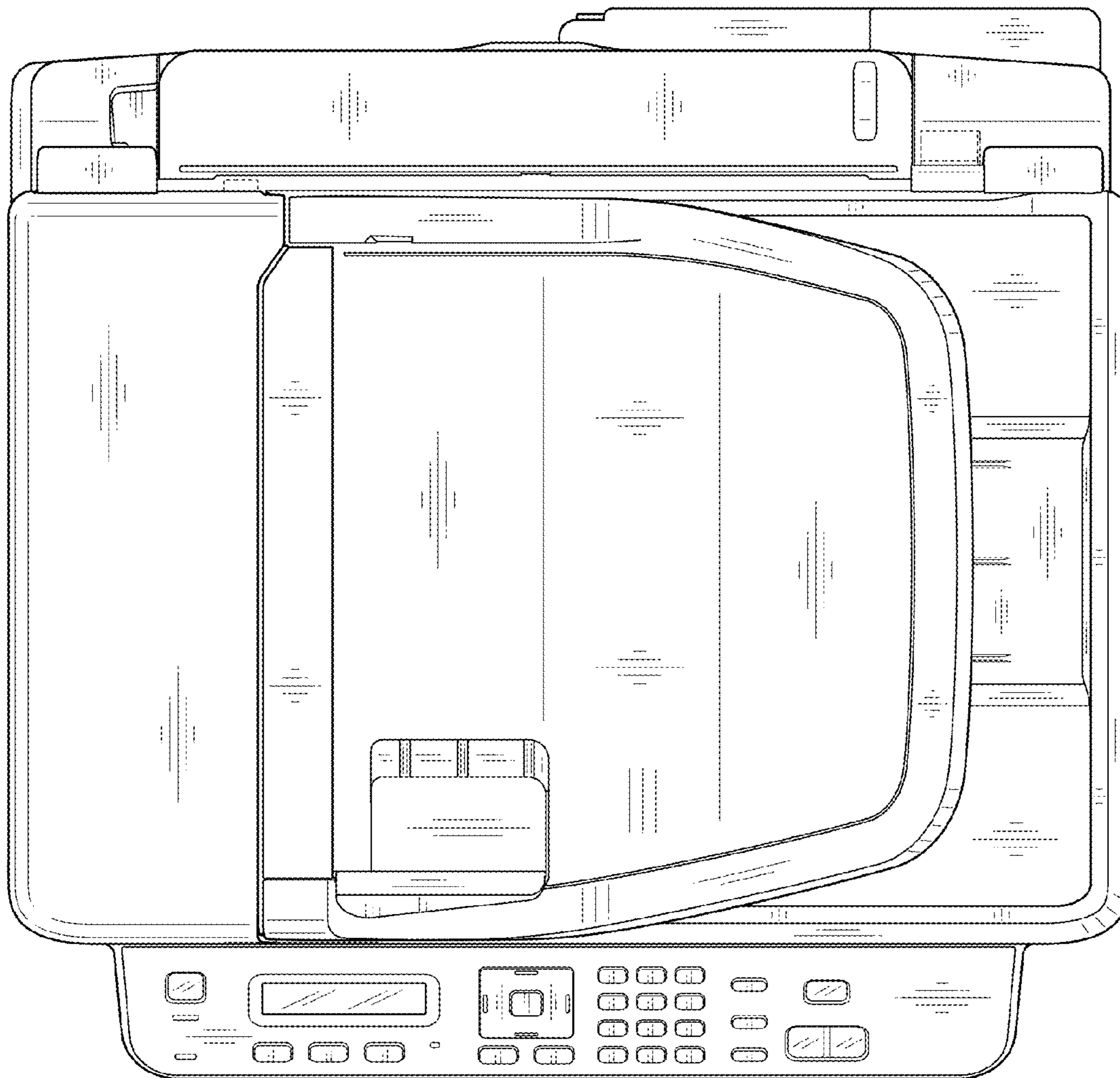


FIG. 7

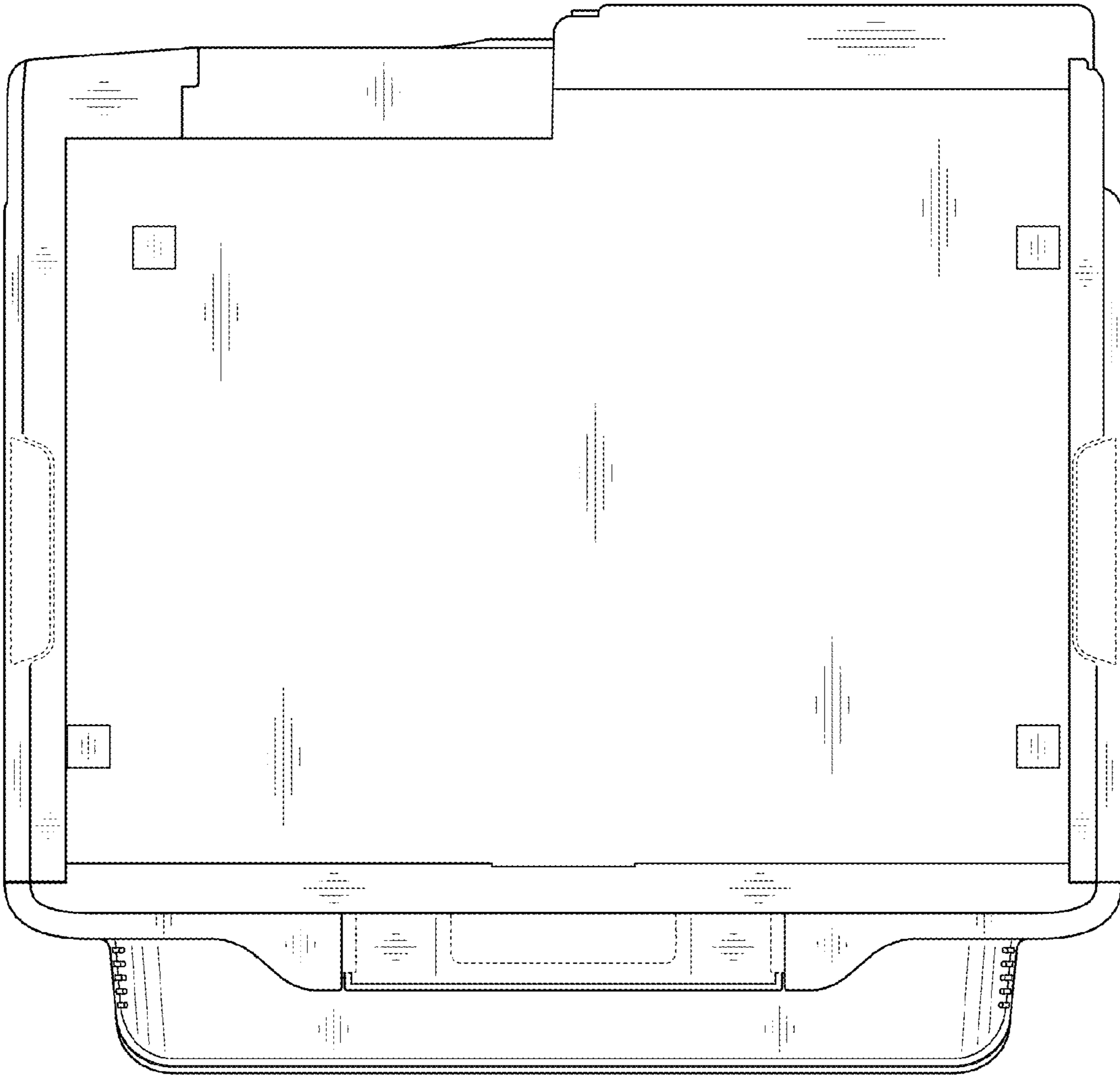


FIG. 8