



US00D686658S

(12) **United States Design Patent**
Matsuno et al.

(10) **Patent No.:** **US D686,658 S**
(45) **Date of Patent:** **** Jul. 23, 2013**

(54) **PRINTER**

(56) **References Cited**

(75) Inventors: **Atsuhiko Matsuno**, Azumino (JP);
Takaaki Ishikawa, Matsumoto (JP);
Ichiro Yoshioka, Matsumoto (JP);
Atsuhiko Takeuchi, Matsumoto (JP);
Hisayuki Akahane, Matsumoto (JP);
Kazunori Takabayashi, Okaya (JP);
Masamitsu Shimazu, Matsumoto (JP);
Kenichi Shirota, Suwa (JP)

U.S. PATENT DOCUMENTS

D391,286	S	*	2/1998	Mizusugi	D18/54.1
D609,270	S	*	2/2010	Kato et al.	D18/55
D613,791	S	*	4/2010	Yoshioka et al.	D18/55
D614,693	S	*	4/2010	Kato et al.	D18/50
D649,183	S	*	11/2011	Miyauchi et al.	D18/50
D662,130	S	*	6/2012	Kitazawa et al.	D18/50
D673,213	S	*	12/2012	Kim et al.	D18/55

* cited by examiner

(73) Assignee: **Seiko Epson Corporation**, Tokyo (JP)

Primary Examiner — Cathy A MacCormac

(**) Term: **14 Years**

(57) **CLAIM**

The ornamental design for a printer, as shown and described.

(21) Appl. No.: **29/419,201**

DESCRIPTION

(22) Filed: **Apr. 26, 2012**

(30) **Foreign Application Priority Data**

Dec. 27, 2011 (JP) 2011-030193

(51) **LOC (9) Cl.** **14-02**

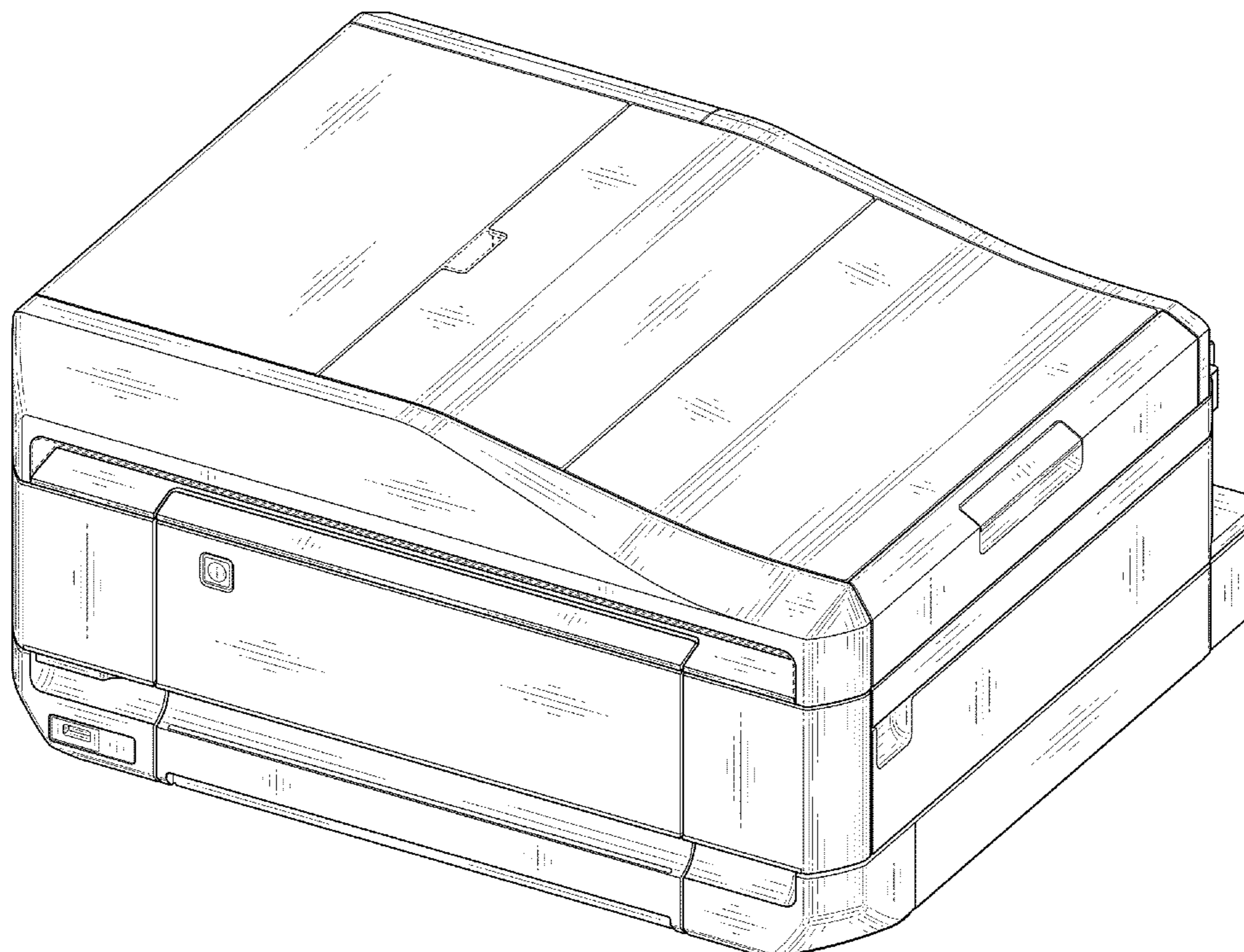
(52) **U.S. Cl.**
USPC **D18/50**

(58) **Field of Classification Search**
USPC . D18/36-38, 50, 54-54.1, 55; D14/420-425,
D14/462-470; 400/613, 613.1-613.4,
400/690.1-690.4, 691-694

See application file for complete search history.

FIG. 1 is a front, top and right side perspective view of a printer showing our new design;
FIG. 2 is a rear, top and left side perspective view thereof;
FIG. 3 is a front elevational view thereof;
FIG. 4 is a rear elevational view thereof;
FIG. 5 is a left side elevational view thereof;
FIG. 6 is a right side elevational view thereof;
FIG. 7 is a top plan view thereof; and,
FIG. 8 is a bottom plan view thereof.
The broken lines are for illustration only and form no part of the claimed design.

1 Claim, 6 Drawing Sheets



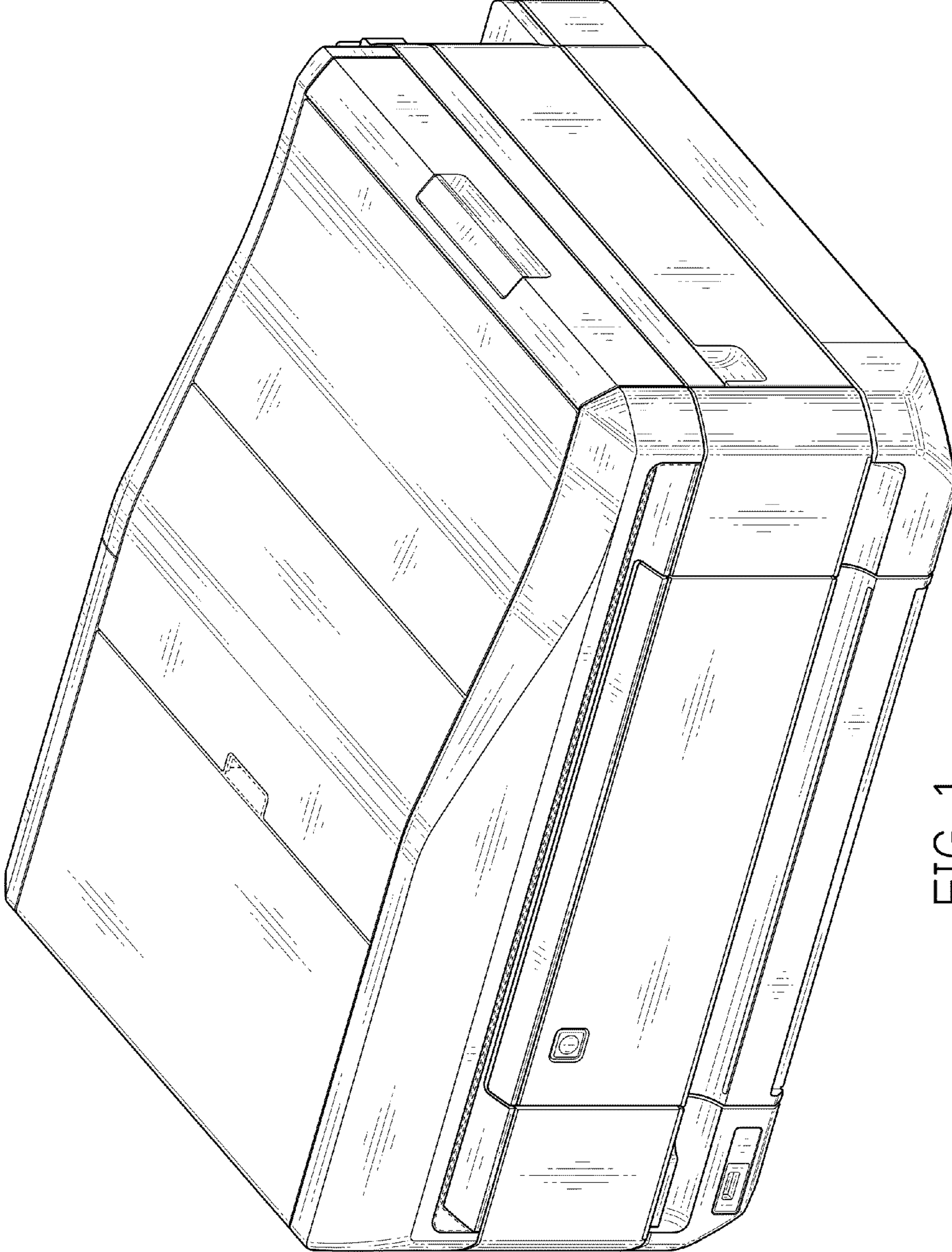


FIG. 1

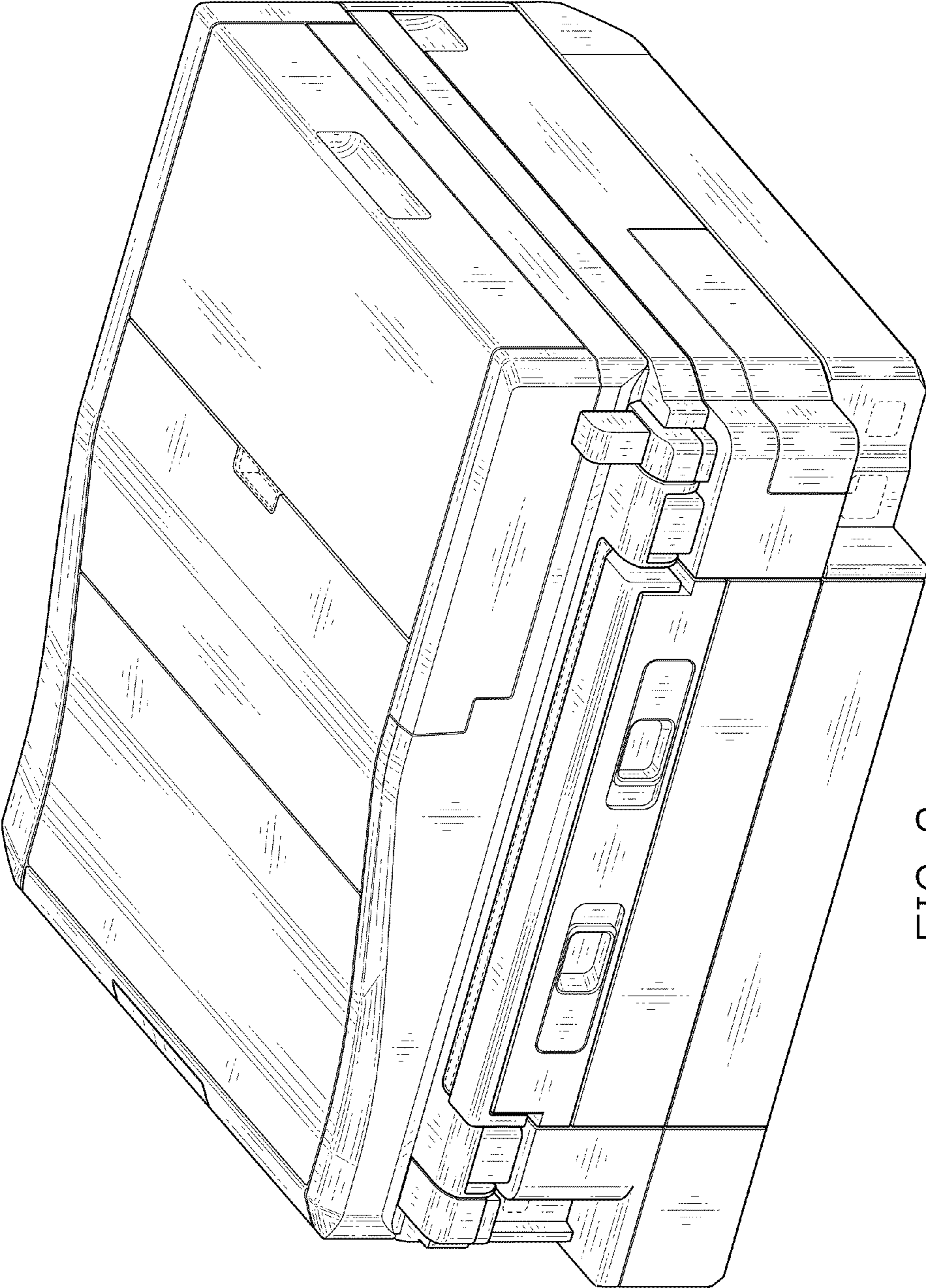


FIG. 2

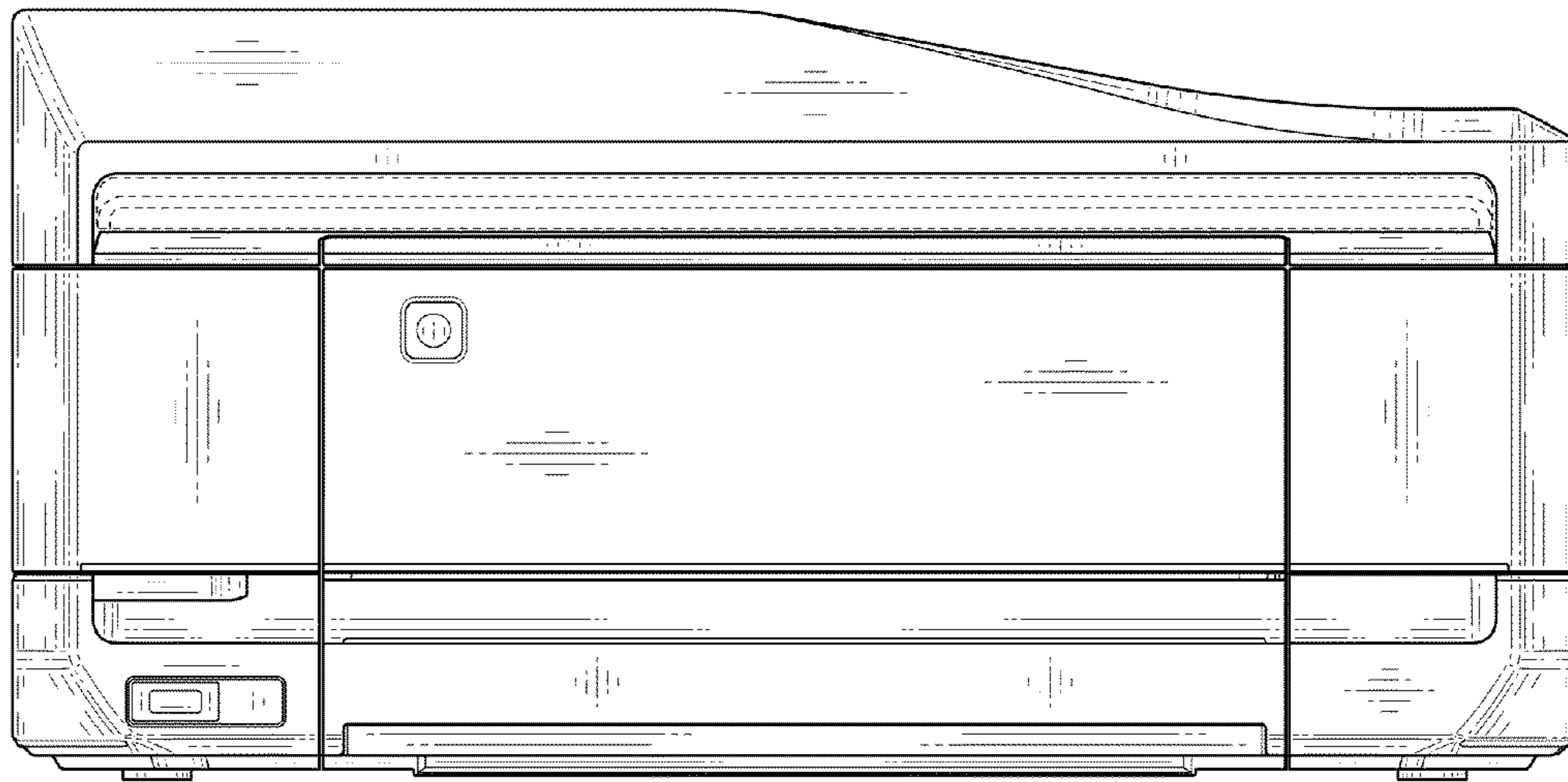


FIG. 3

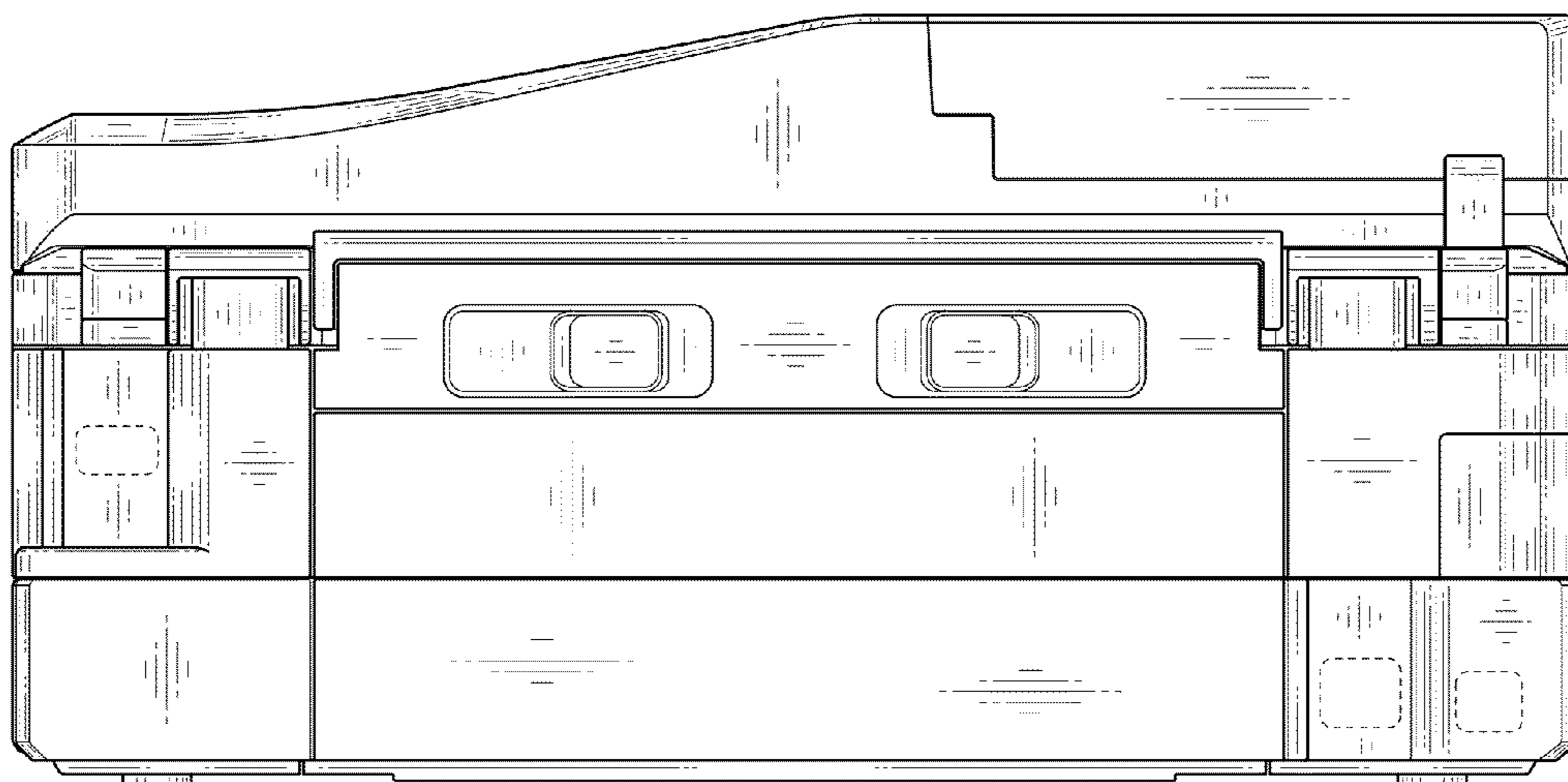


FIG. 4

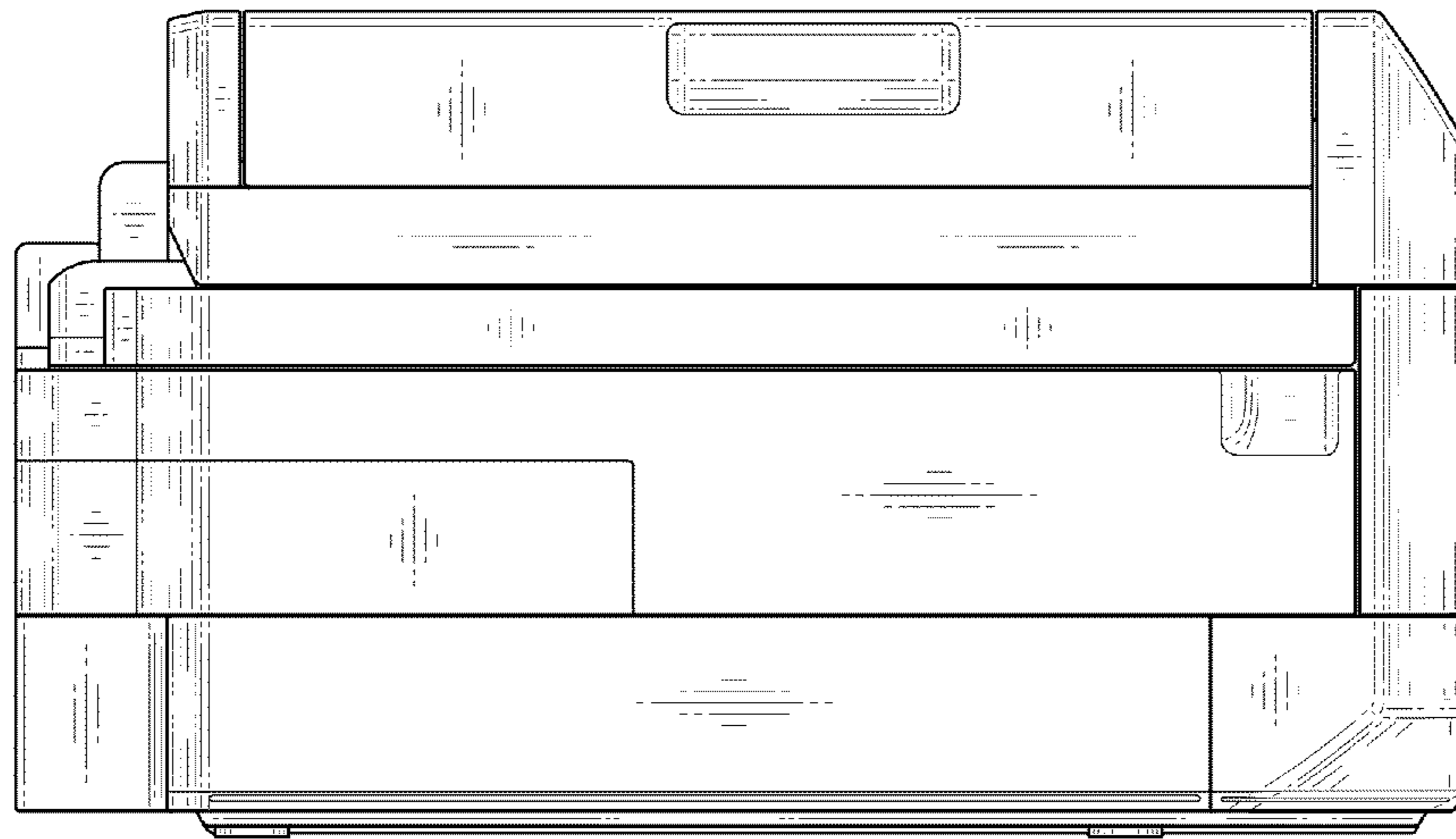


FIG. 5

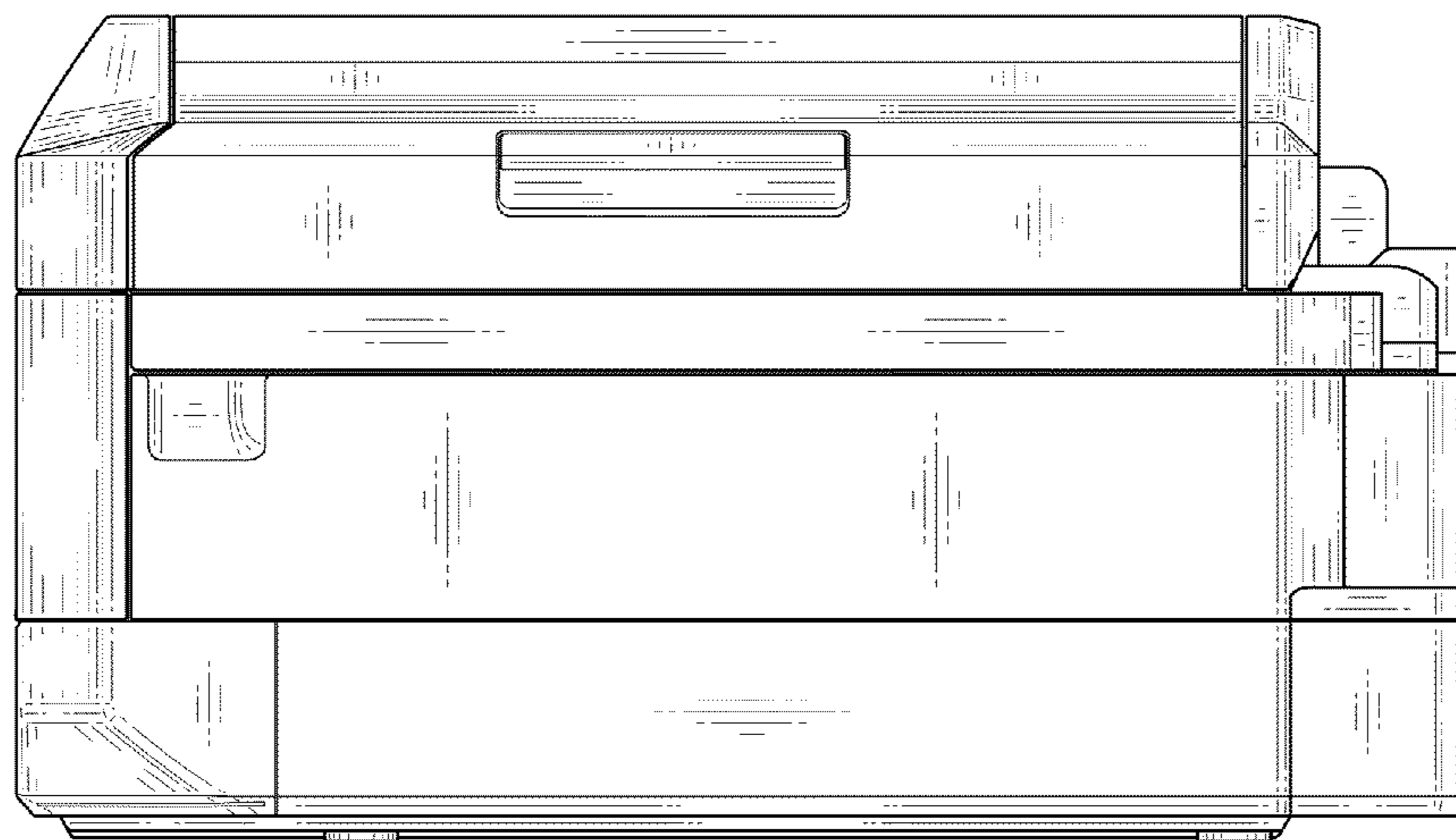


FIG. 6

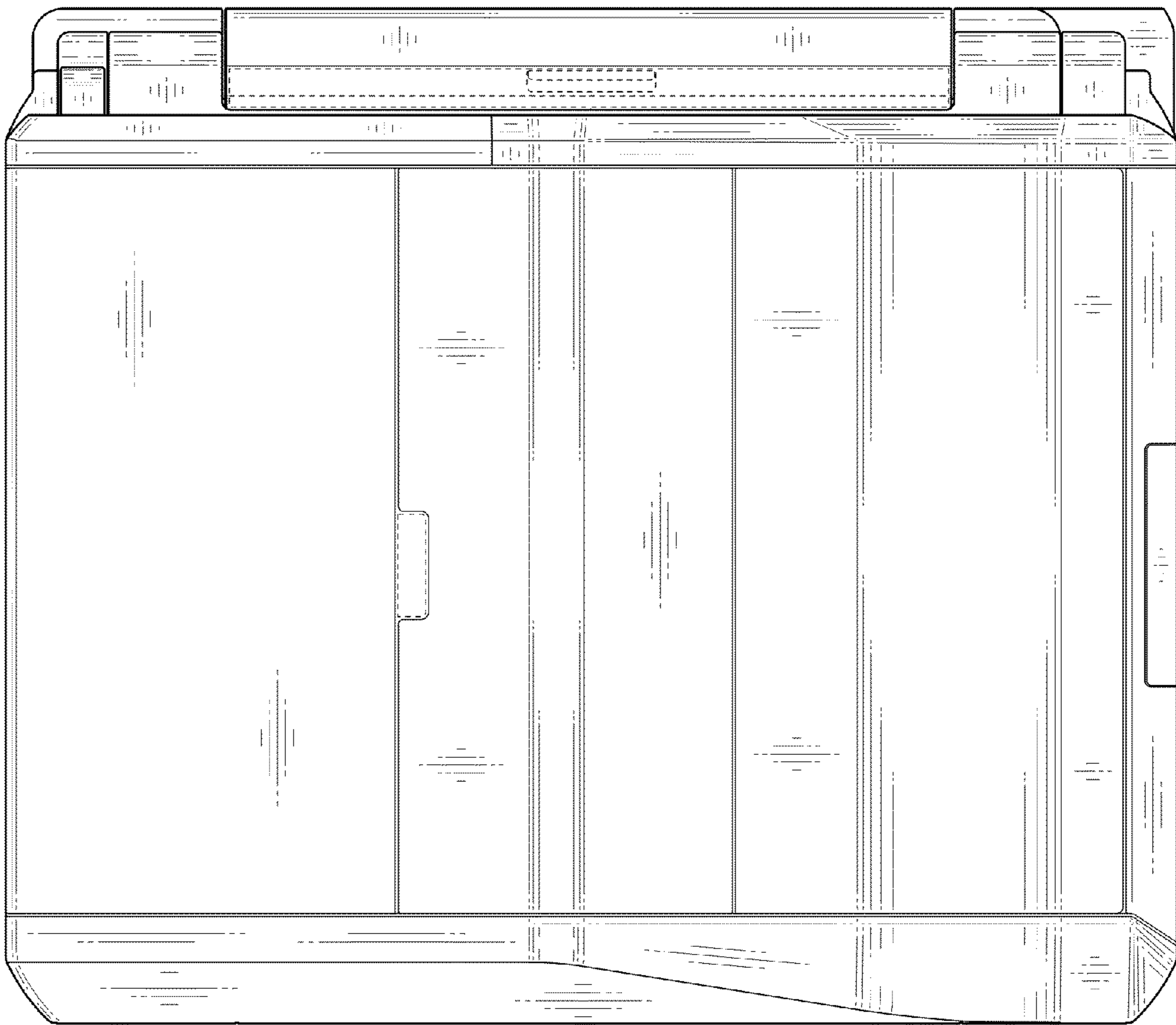


FIG. 7

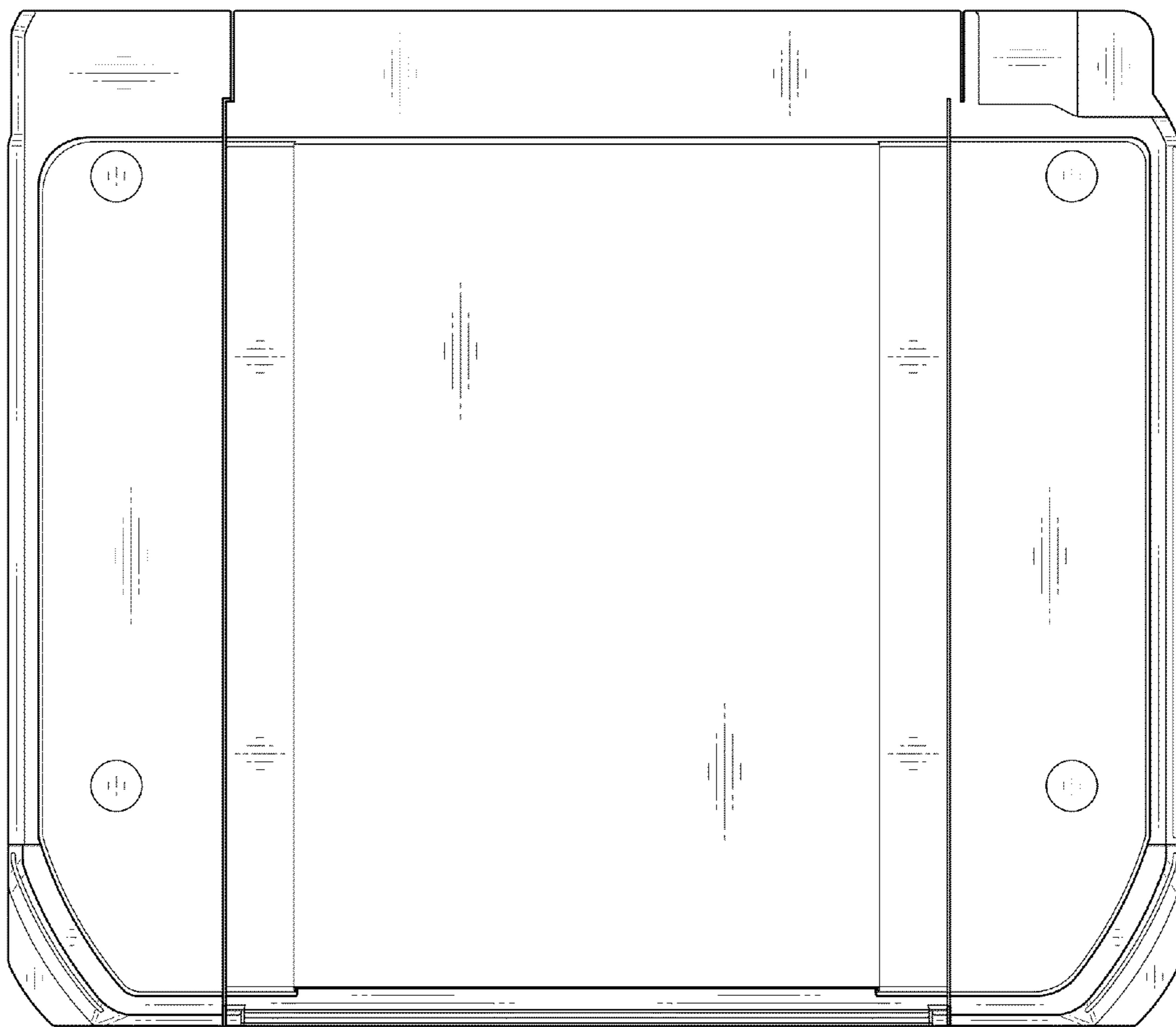


FIG. 8