



US00D686656S

(12) **United States Design Patent**
Aries et al.

(10) **Patent No.:** **US D686,656 S**

(45) **Date of Patent:** **** Jul. 23, 2013**

(54) **SHREDDER**

(75) Inventors: **Paul A. Aries**, Brierley Hill (GB);
Kaushik Patel, Northwood (GB); **Jason B. Magid**, Wheeling, IL (US)

(73) Assignee: **ACCO UK Limited**, Aylesbury (GB)

(**) Term: **14 Years**

(21) Appl. No.: **29/389,551**

(22) Filed: **Apr. 13, 2011**

(51) **LOC (9) Cl.** **18-03**

(52) **U.S. Cl.**
USPC **D18/34.5**

(58) **Field of Classification Search**
USPC D18/34.3-34.9; D23/356, 359, 360,
D23/364; D34/9; 241/100, 236, 30, 36, 81,
241/25, 99
See application file for complete search history.

(56) **References Cited**

U.S. PATENT DOCUMENTS

4,489,897	A	12/1984	Turner et al.
4,495,456	A	1/1985	Vercillo et al.
5,252,904	A	10/1993	Nanos
5,404,088	A	4/1995	Nanos
D375,973	S	11/1996	Kennedy et al.
5,839,675	A	11/1998	Henreckson et al.
D404,756	S	1/1999	Dziersk
D410,246	S	5/1999	Holderfield
D410,946	S	6/1999	Holderfield
5,988,542	A	11/1999	Henreckson et al.
6,079,645	A	6/2000	Henreckson et al.
6,962,301	B1	11/2005	Chang

(Continued)

OTHER PUBLICATIONS

2010 ACCO Brands Fact Book, published at least as early as Feb. 1, 2010, pp. 87-92.

(Continued)

Primary Examiner — Ian Simmons

Assistant Examiner — Charles Hanson

(74) *Attorney, Agent, or Firm* — Michael Best & Friedrich LLP

(57) **CLAIM**

We claim the ornamental design for a shredder, as shown and described.

DESCRIPTION

FIG. 1 is a left-side perspective view of a shredder embodying the present invention.

FIG. 2 is a front view of the shredder of FIG. 1.

FIG. 3 is a rear view of the shredder of FIG. 1.

FIG. 4 is a top view of the shredder of FIG. 1.

FIG. 5 is a left side view of the shredder of FIG. 1.

FIG. 6 is a right side view of the shredder of FIG. 1.

FIG. 7 is a left-side perspective view of a shredder of a second embodiment of the present invention.

FIG. 8 is a front view of the shredder of FIG. 7.

FIG. 9 is a rear view of the shredder of FIG. 7.

FIG. 10 is a top view of the shredder of FIG. 7.

FIG. 11 is a left side view of the shredder of FIG. 7; and,

FIG. 12 is a right side view of the shredder of FIG. 7.

The dot-dash lines immediately adjacent the solid line disclosure represents the boundary of the claimed subject matter. The portions of the shredder shown in broken lines represent environmental structure and form no part of the claimed design.

1 Claim, 12 Drawing Sheets



US D686,656 S

Page 2

U.S. PATENT DOCUMENTS

D544,904 S 6/2007 Beno et al.
D550,760 S 9/2007 Beno et al.
7,267,295 B2 9/2007 Mead et al.
7,360,731 B2 4/2008 Easton et al.
7,387,268 B2 6/2008 Dahle et al.
D583,859 S * 12/2008 Holderfield et al. D18/34.9
7,500,627 B2 3/2009 Park et al.
7,503,557 B2 3/2009 Badham et al.
D591,335 S 4/2009 Holderfield et al.
D598,048 S * 8/2009 Holderfield et al. D18/34.9
D602,074 S 10/2009 Holderfield et al.
D602,518 S 10/2009 Holderfield et al.
D604,763 S * 11/2009 Holderfield et al. D18/34.9
7,618,001 B2 11/2009 Aries et al.
7,624,938 B2 12/2009 Aries et al.
7,658,342 B2 2/2010 Chang
D611,089 S 3/2010 Maitlin et al.
D647,129 S * 10/2011 Kim et al. D18/34.9
D647,952 S * 11/2011 Sued et al. D18/34.5
8,066,209 B2 * 11/2011 Abramson et al. 241/30
8,091,812 B2 * 1/2012 Abramson et al. 241/99
D660,346 S * 5/2012 Kim et al. D18/34.5

D660,907 S * 5/2012 Wing et al. D18/34.5
D662,577 S * 6/2012 Nakamura et al. D23/364
8,196,851 B2 * 6/2012 Aries et al. 241/225
8,336,794 B2 * 12/2012 Aries et al. 241/81
D673,665 S * 1/2013 Langford et al. D23/359
2009/0218425 A1 9/2009 Sued et al.
2010/0059612 A1 3/2010 Huang
2010/0096482 A1 4/2010 Chang
2010/0308139 A1 * 12/2010 Abramson et al. 241/25
2011/0253819 A1 * 10/2011 Aries et al. 241/100
2012/0024991 A1 * 2/2012 Pilch et al. 241/25
2012/0111979 A1 * 5/2012 Jensen et al. 241/25

OTHER PUBLICATIONS

2009 ACCO Brands Fact Book, published at least as early as Feb. 1, 2009, pp. 98-103.
2008 ACCO Brands Fact Book, published at least as early as Feb. 1, 2008, pp. 90-93.
2007 ACCO Brands Fact Book, published at least as early as Feb. 1, 2007, pp. 57-63.

* cited by examiner



FIG. 1

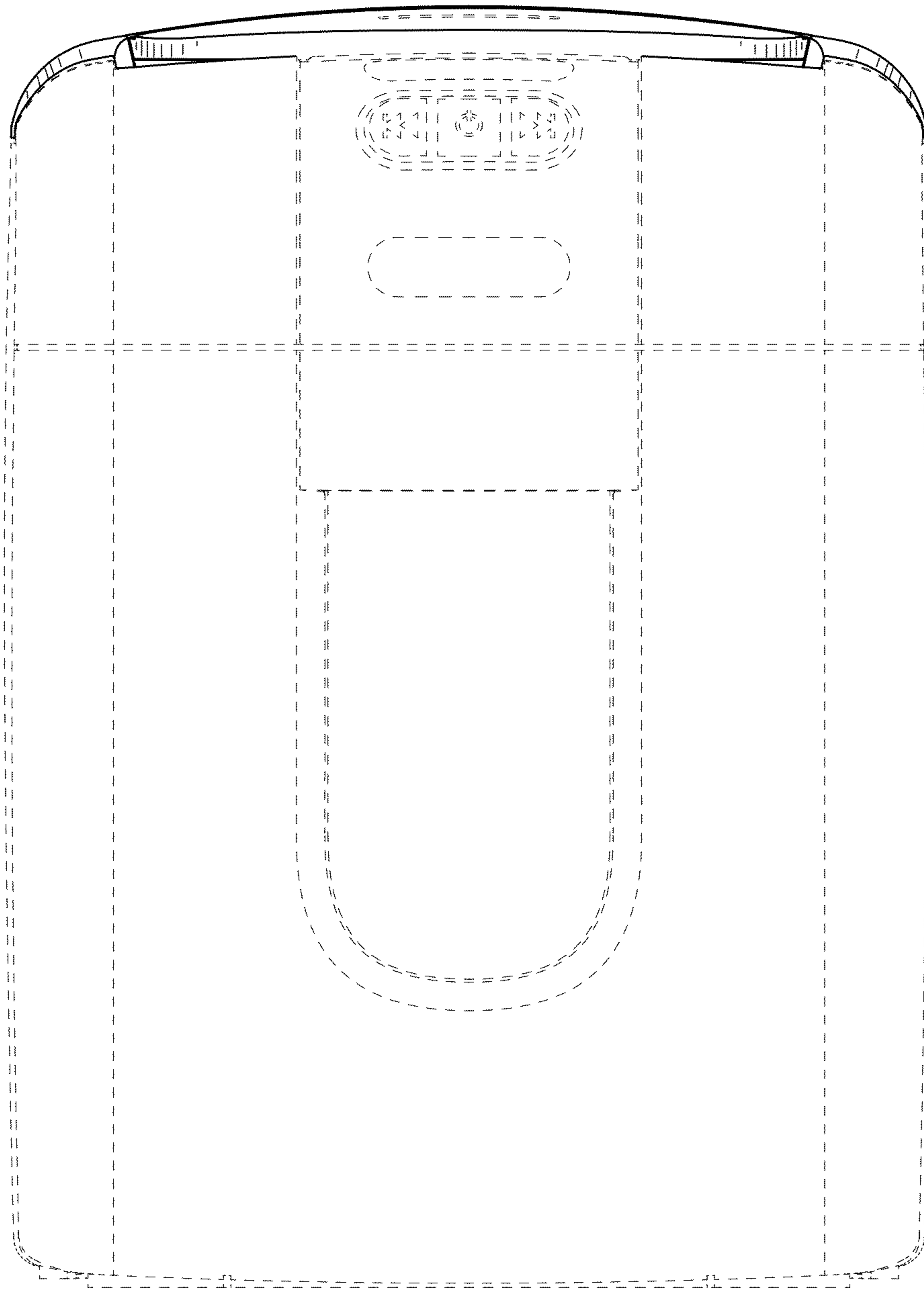


FIG. 2

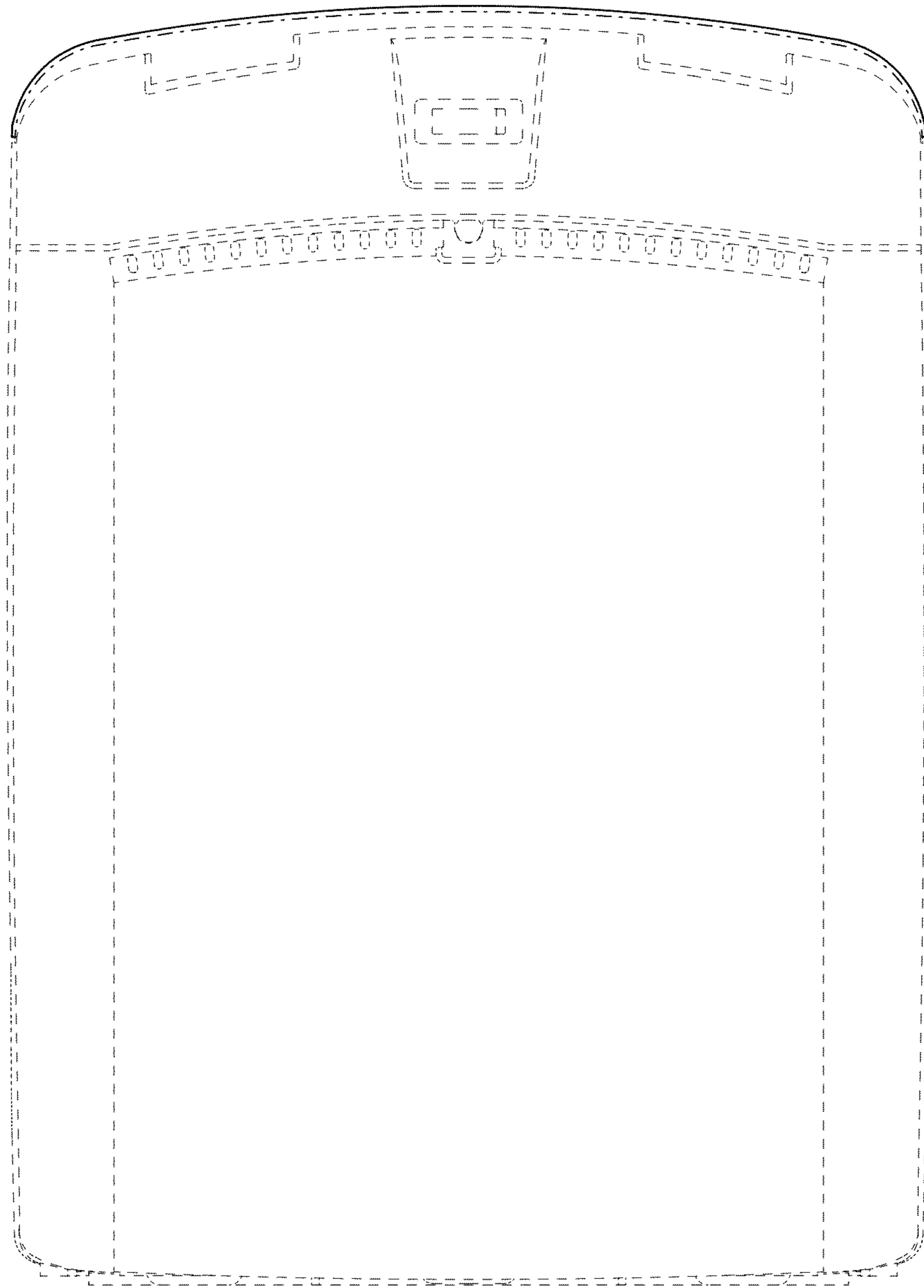


FIG. 3

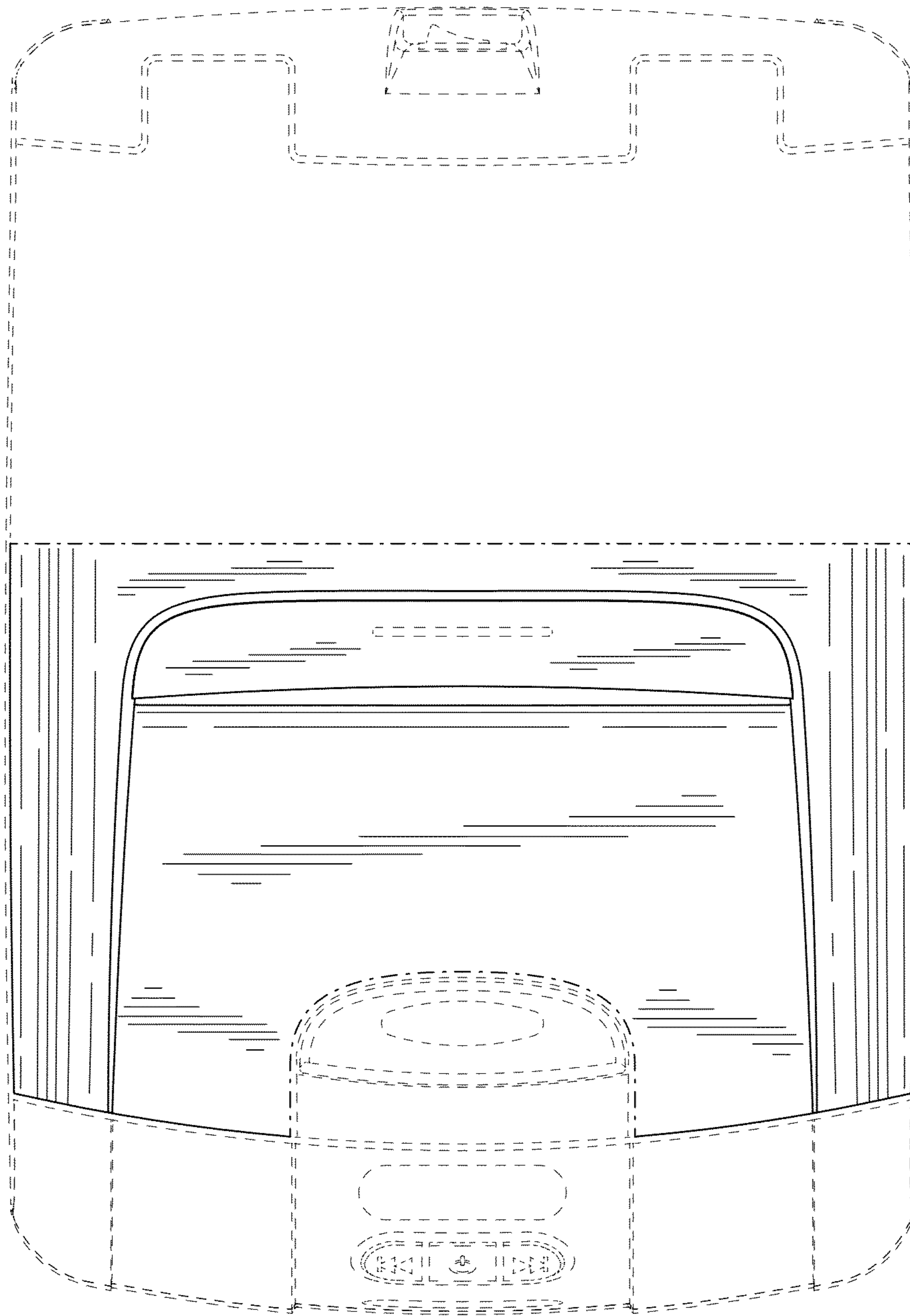


FIG. 4

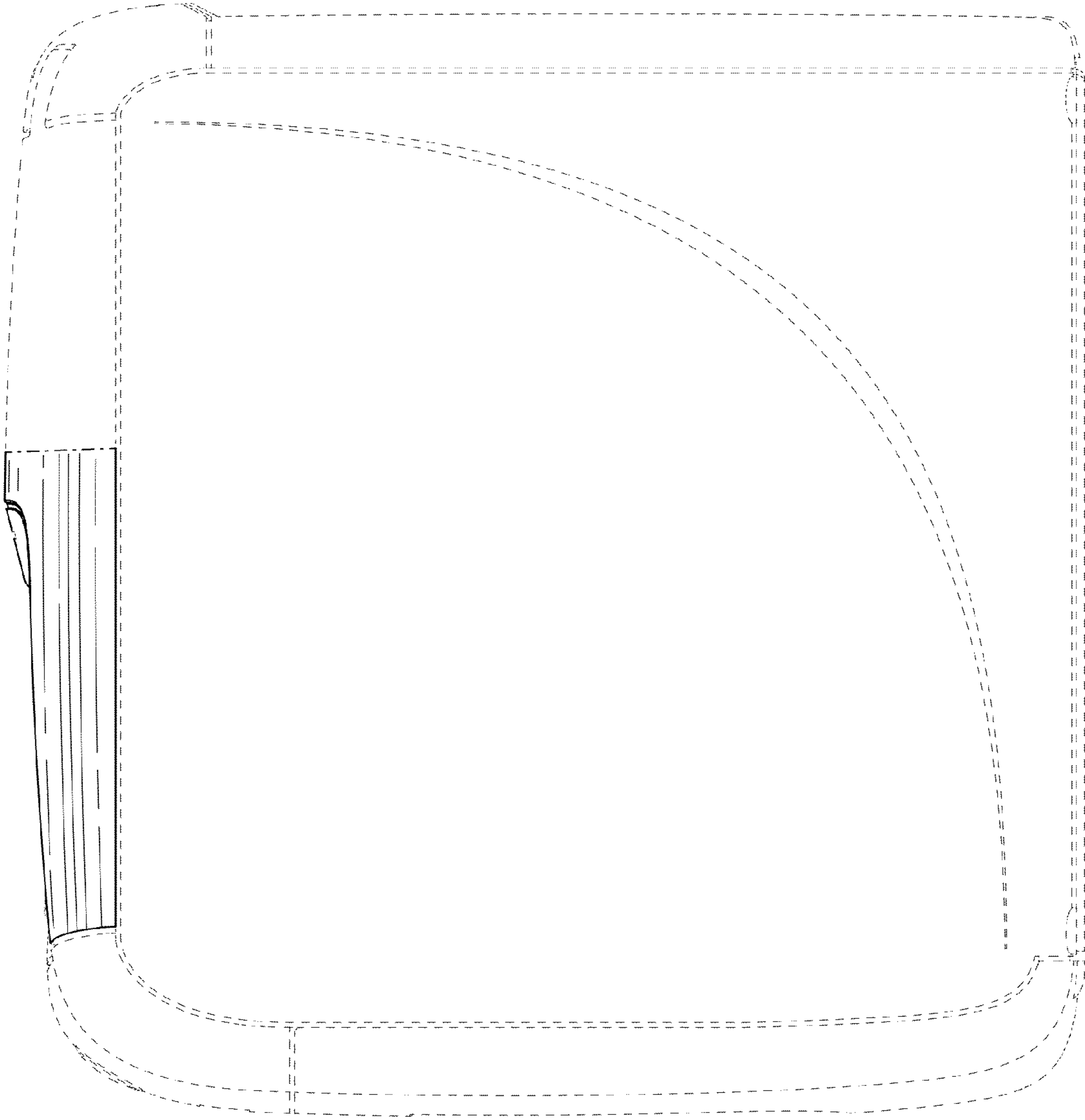


FIG. 5

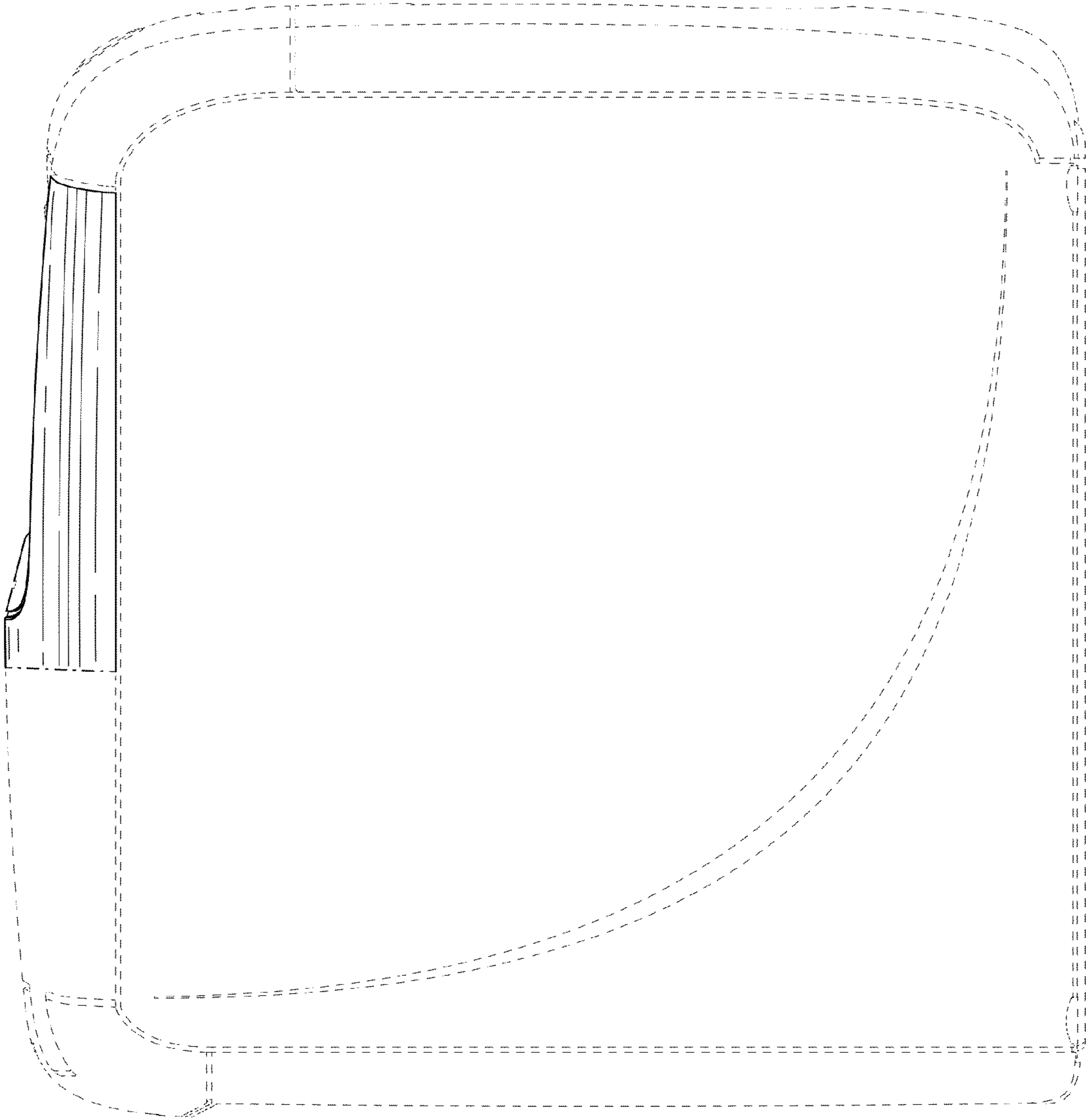


FIG. 6



FIG. 7

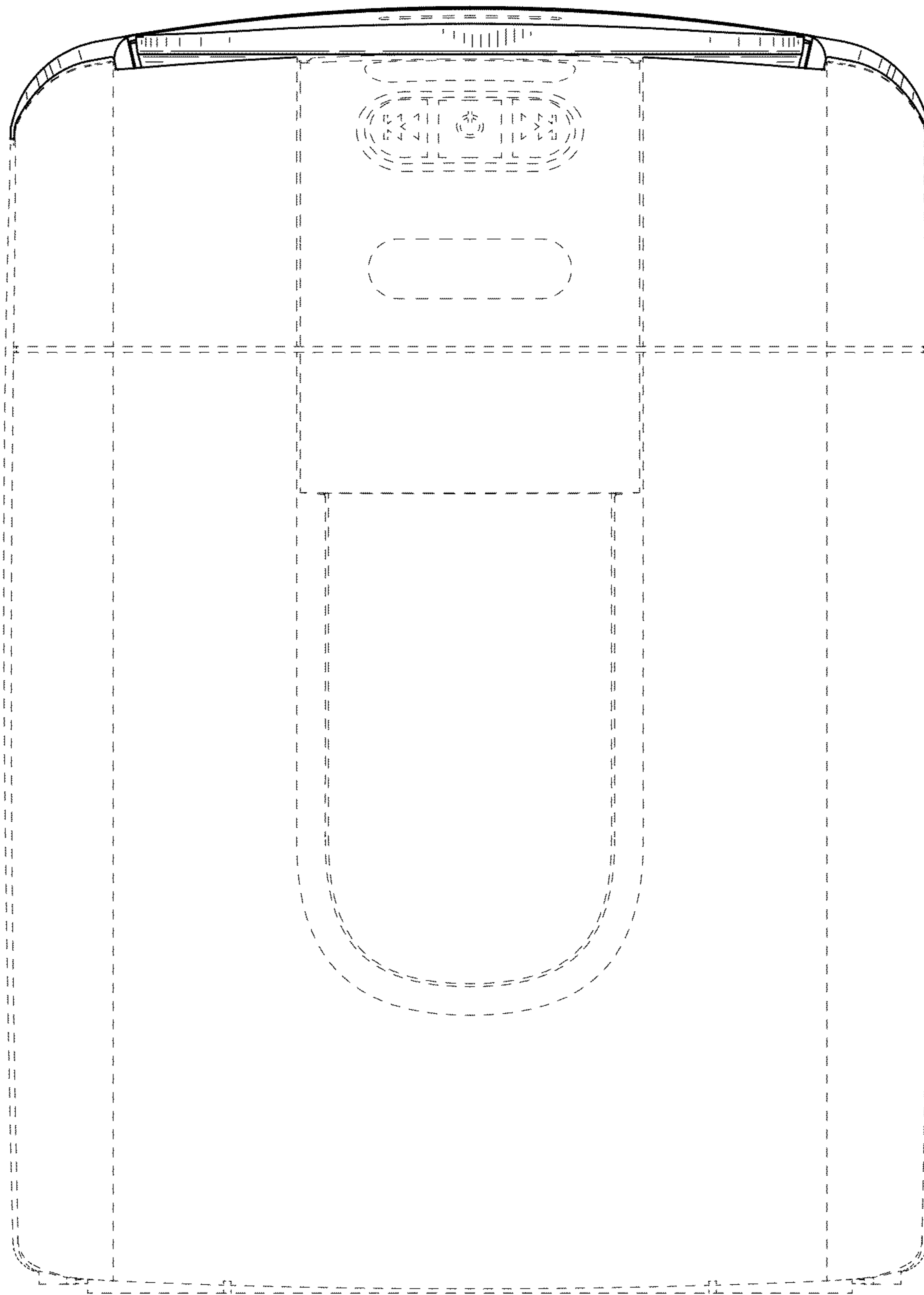


FIG. 8

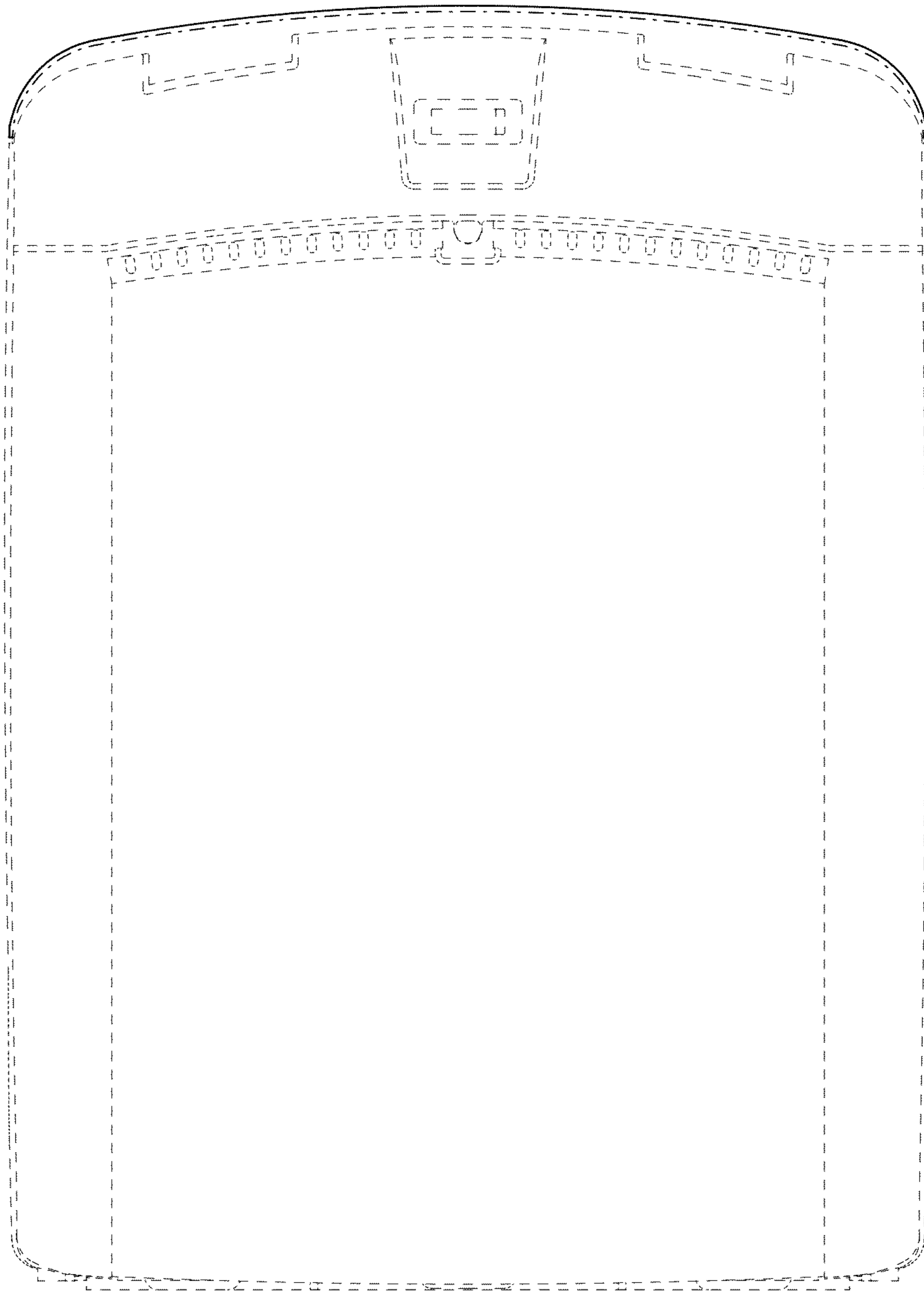


FIG. 9

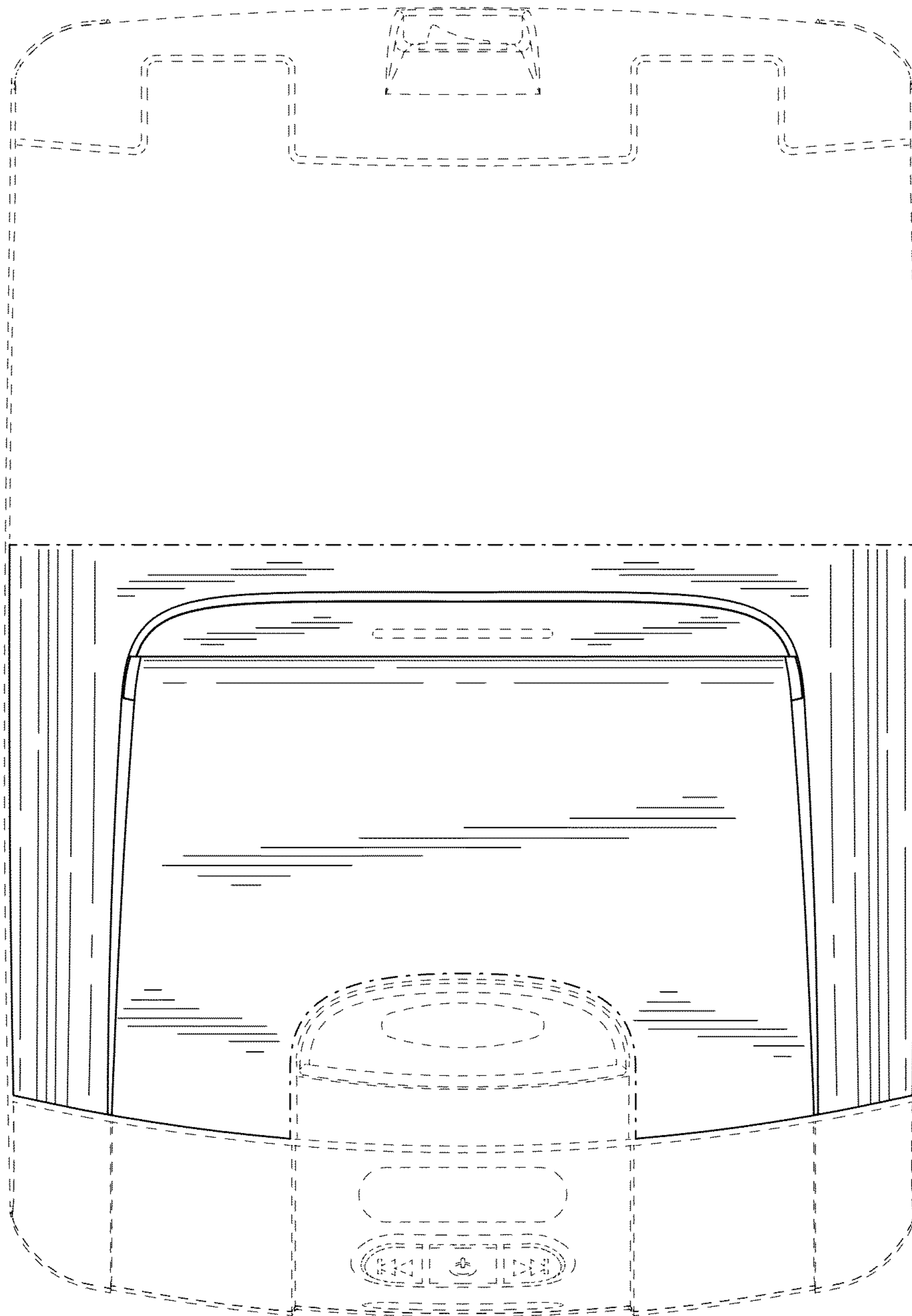


FIG. 10

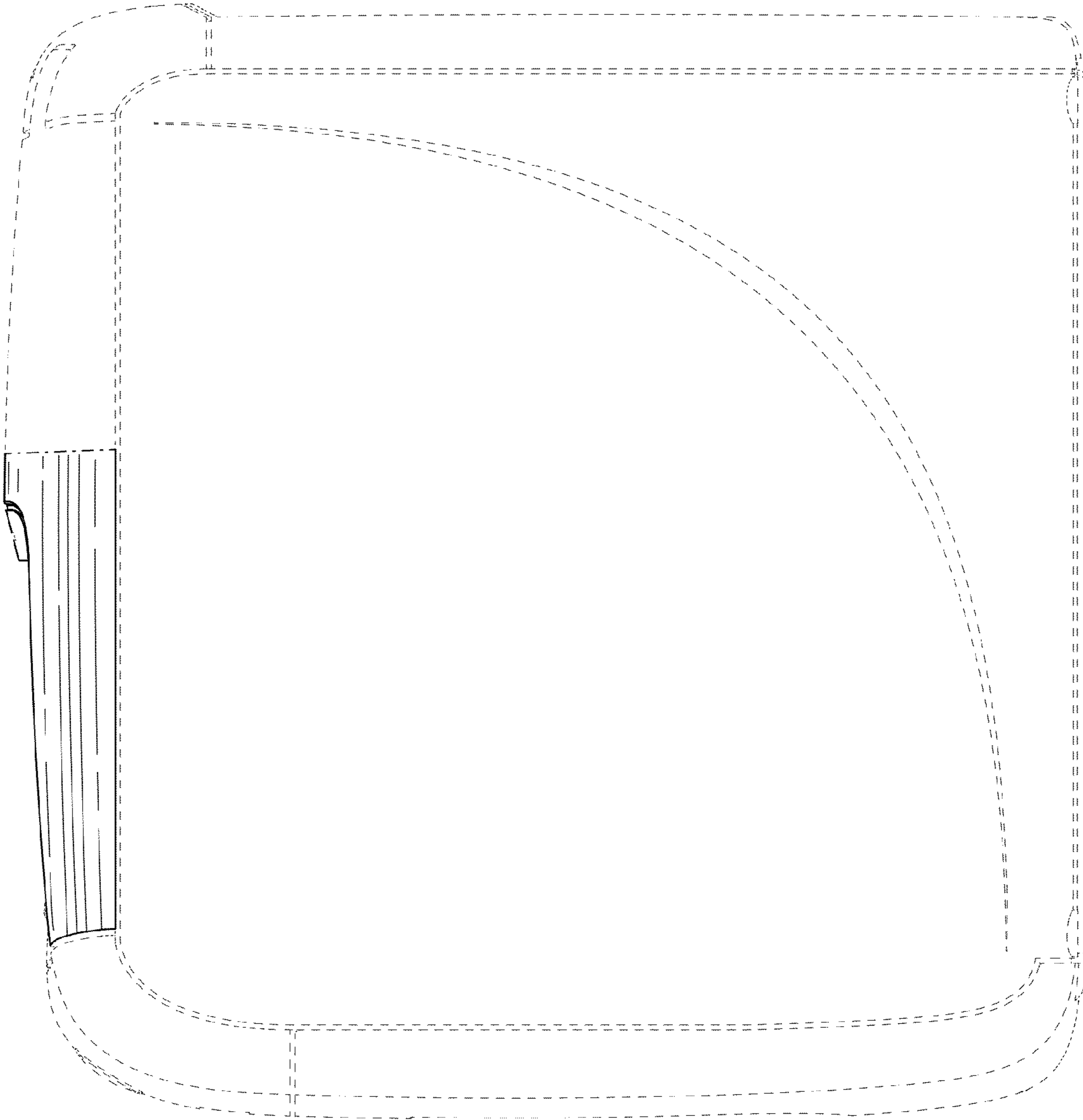


FIG. 11

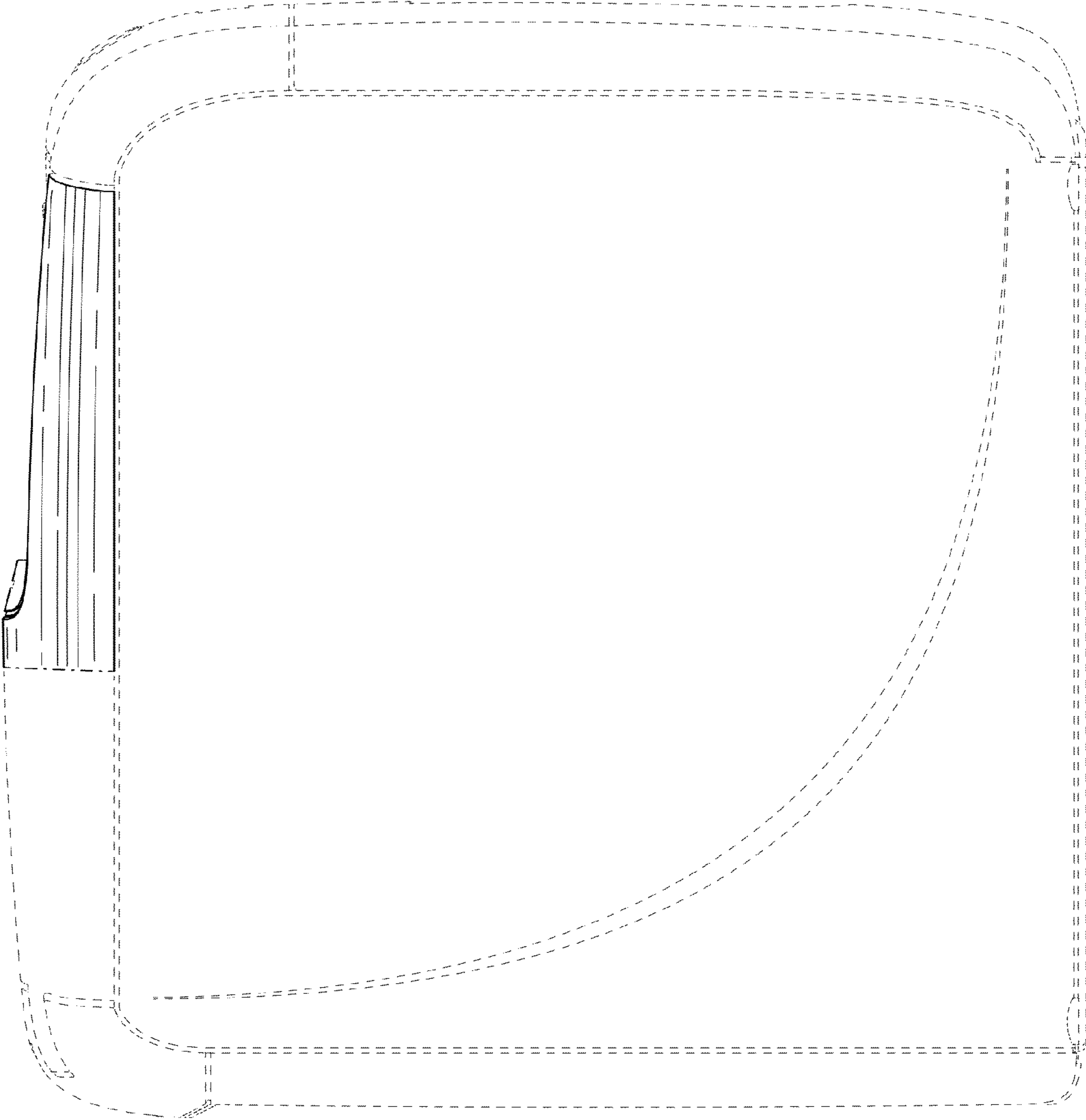


FIG. 12