



US00D686654S

(12) **United States Design Patent**  
**Kim et al.**

(10) **Patent No.:** **US D686,654 S**  
(45) **Date of Patent:** **\*\* Jul. 23, 2013**

(54) **POS TERMINAL**

(75) Inventors: **Jin Gwan Kim**, Yongin-si (KR);  
**Young-Hwan Kwak**, Hwaseong Si (KR)

(73) Assignee: **Bixelon Co., Ltd.**, Seongnam-si (KR)

(\*\*) Term: **14 Years**

(21) Appl. No.: **29/422,142**

(22) Filed: **May 17, 2012**

(30) **Foreign Application Priority Data**

Mar. 30, 2012 (KR) ..... 30-2012-0015231

(51) **LOC (9) Cl.** ..... **18-01**

(52) **U.S. Cl.**  
USPC ..... **D18/4.6**

(58) **Field of Classification Search**  
USPC ..... D14/336, 371-376, 387; D18/3.1-3.3,  
D18/4.1-4.6, 6-12, 12.1-12.3; D21/324,  
D21/325, 332; D99/28, 34-36, 43; 235/1 E,  
235/2, 7 R, 12, 22, 33, 51, 52; 705/12, 15-18,  
705/43

See application file for complete search history.

(56) **References Cited**

U.S. PATENT DOCUMENTS

D345,966	S	*	4/1994	Perez	.....	D18/4.5
D433,701	S	*	11/2000	Chiu	.....	D18/4.6
D442,210	S	*	5/2001	Chan	.....	D18/2
D451,917	S	*	12/2001	Rahemtulla et al.	.....	D14/337
D458,255	S	*	6/2002	Hsu	.....	D14/373
D474,228	S	*	5/2003	Katou et al.	.....	D18/4.3
D480,083	S	*	9/2003	Borsboom et al.	.....	D14/371
D634,358	S	*	3/2011	Yoshioka et al.	.....	D18/50

\* cited by examiner

*Primary Examiner* — Garth Rademaker

(74) *Attorney, Agent, or Firm* — Novick, Kim & Lee, PLLC;  
Jae Youn Kim

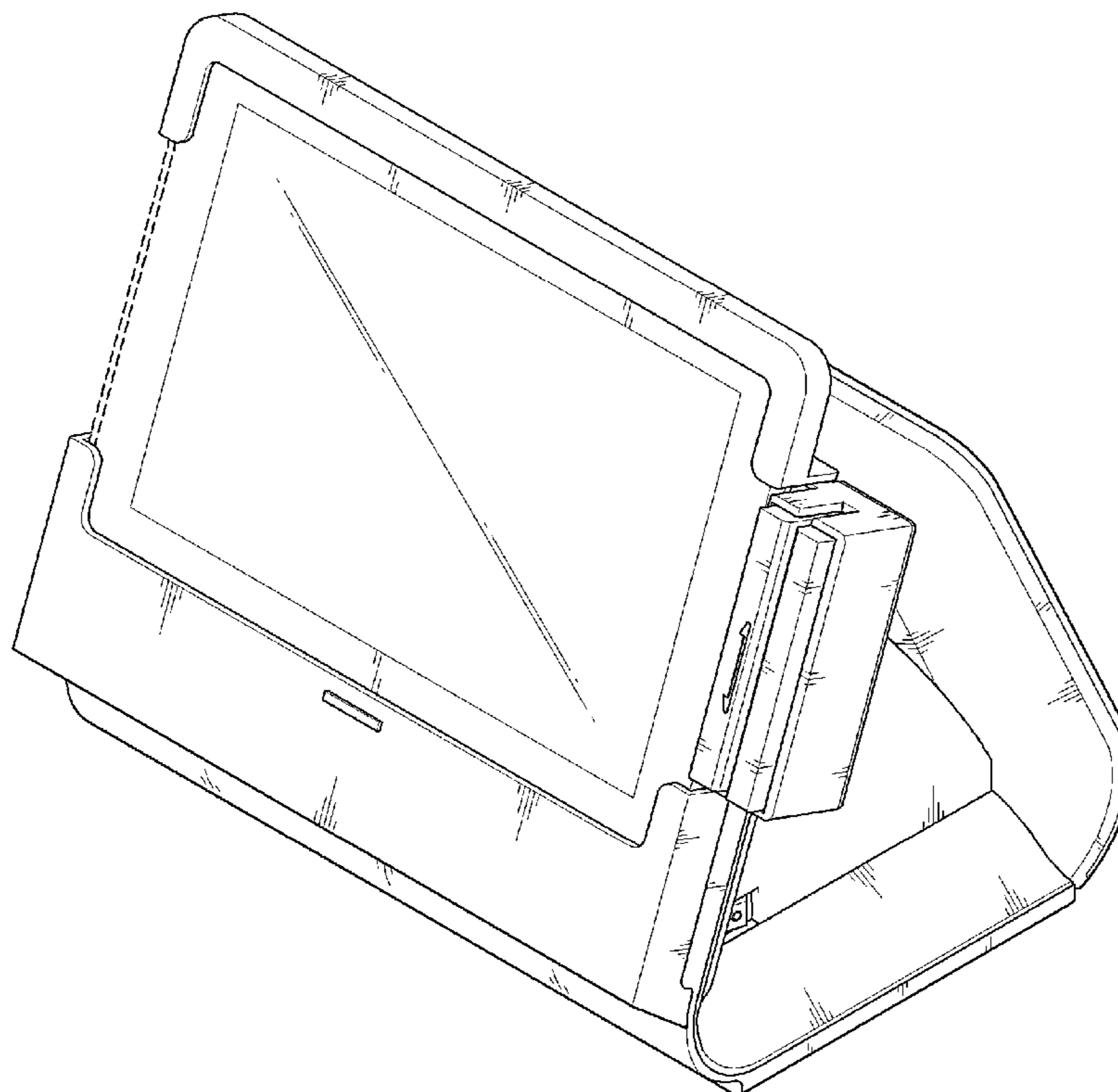
(57) **CLAIM**

The ornamental design for a POS terminal, as shown and described.

**DESCRIPTION**

FIG. 1 is a perspective view of a POS terminal, showing our new design;  
FIG. 2 is a front elevational view thereof;  
FIG. 3 is a rear elevational view thereof;  
FIG. 4 is a left side elevational view thereof;  
FIG. 5 is a right side elevational view thereof;  
FIG. 6 is a top plan view thereof; and,  
FIG. 7 is a bottom plan view thereof.  
The broken lines depict portions of the POS terminal which form no part of the claimed design.

**1 Claim, 7 Drawing Sheets**



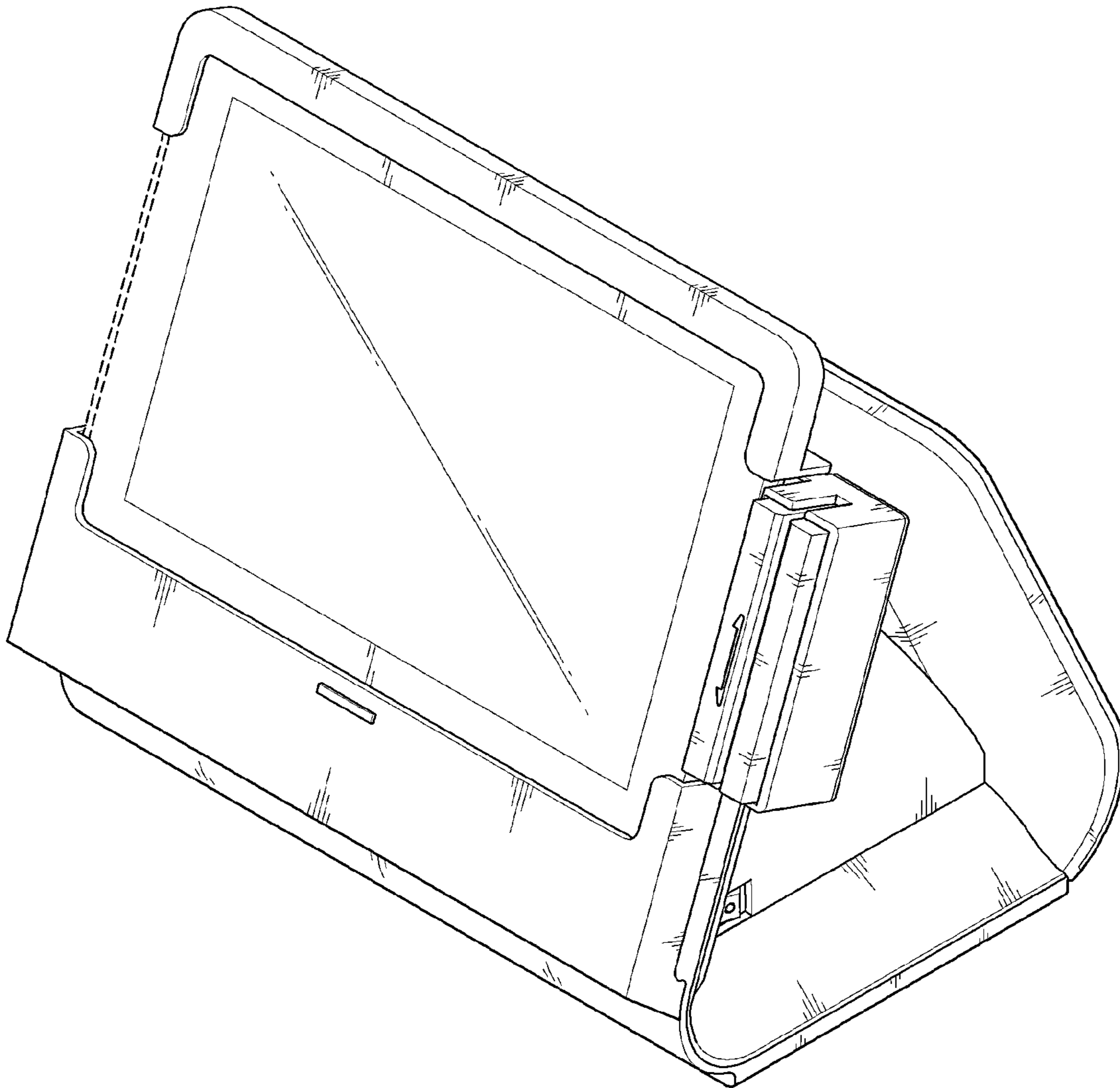


FIG.1

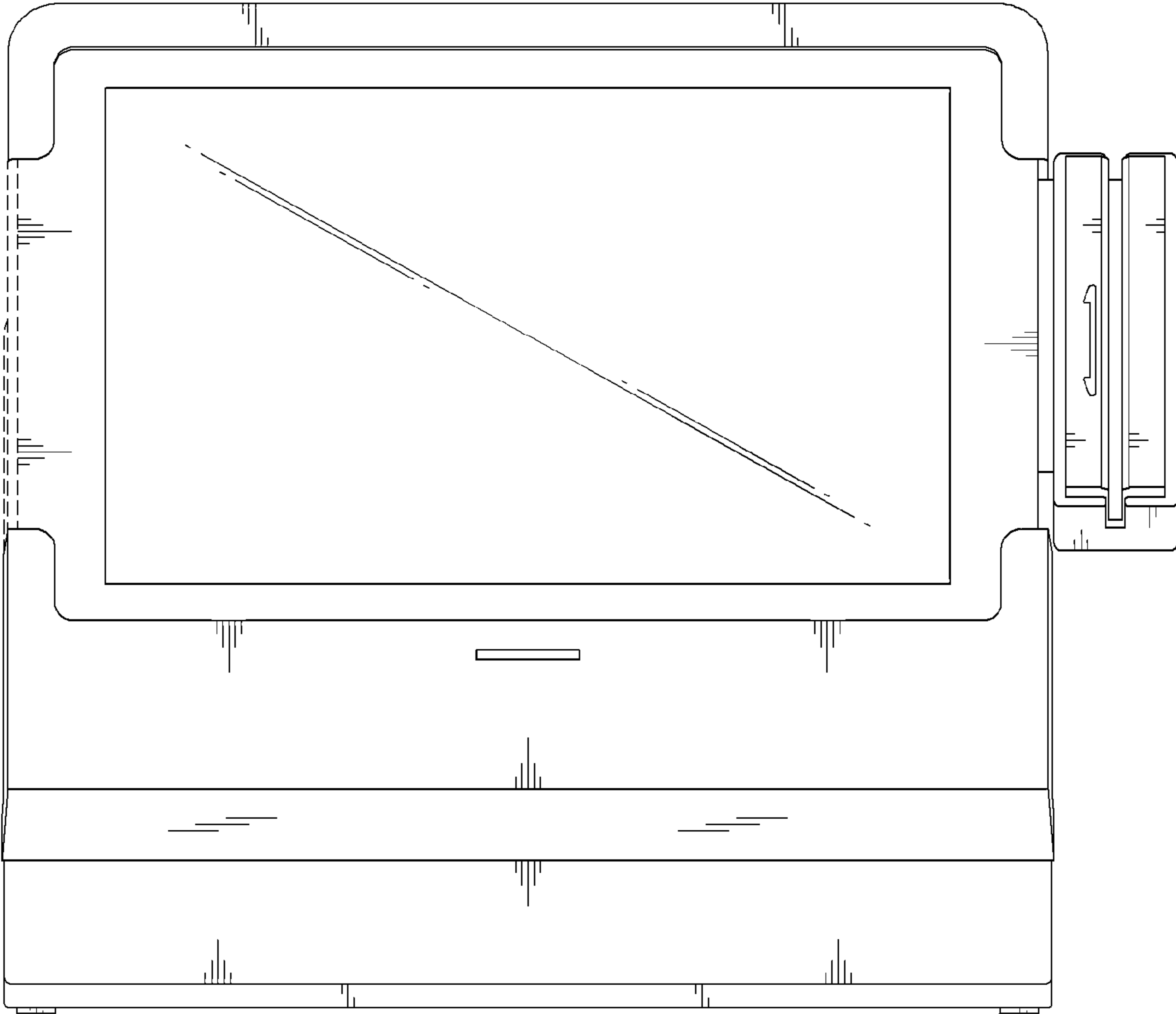


FIG.2

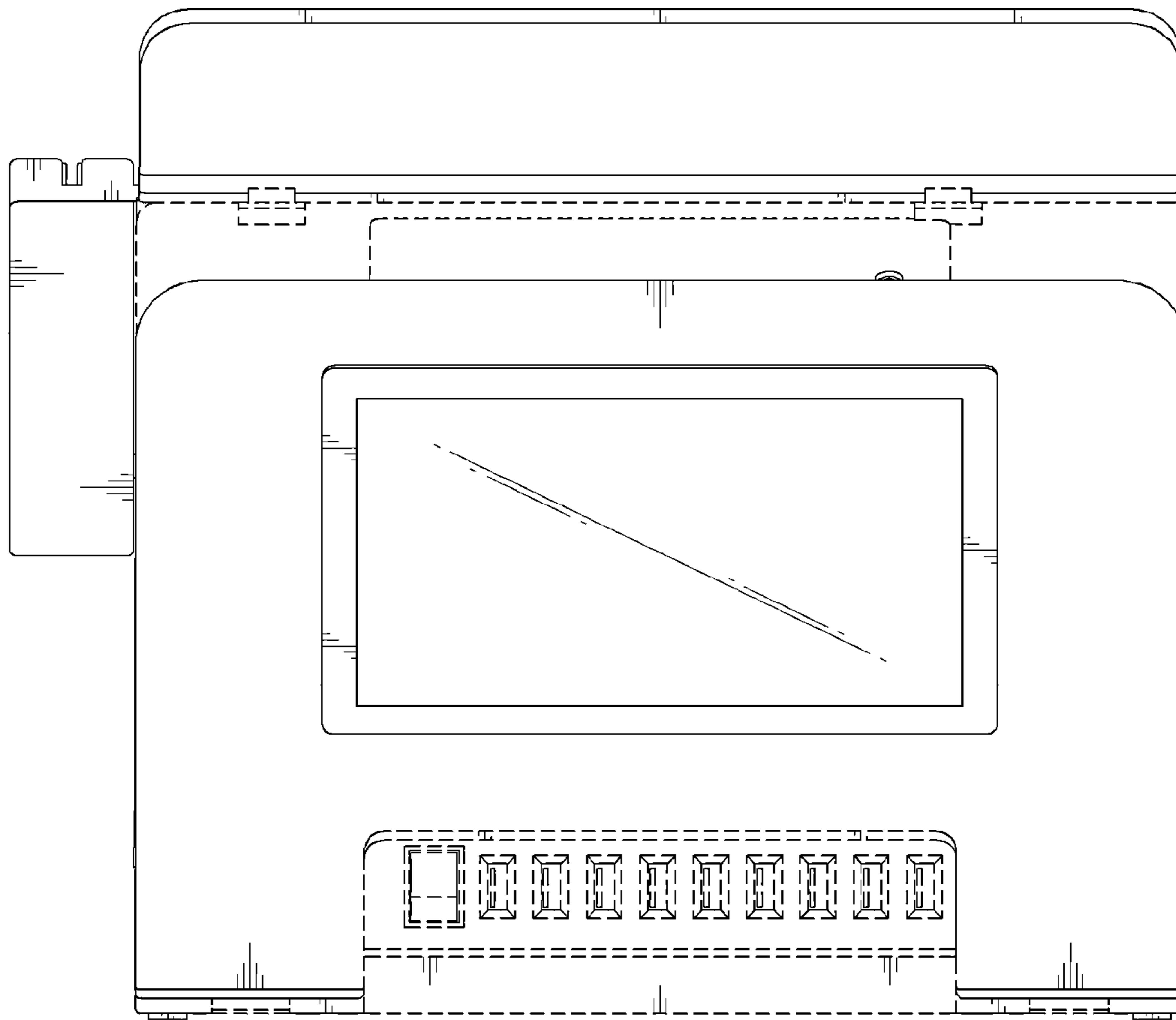


FIG.3

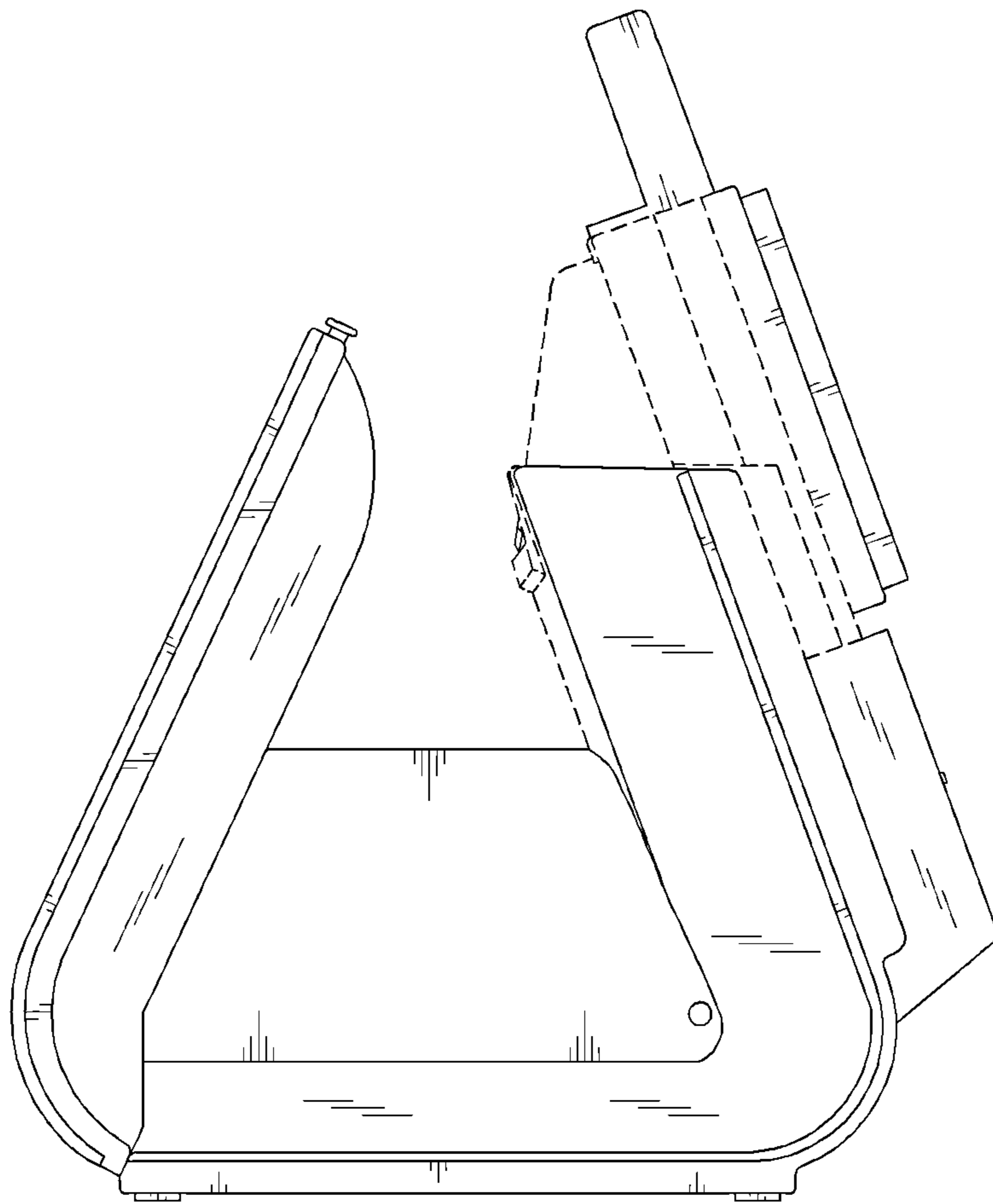


FIG. 4

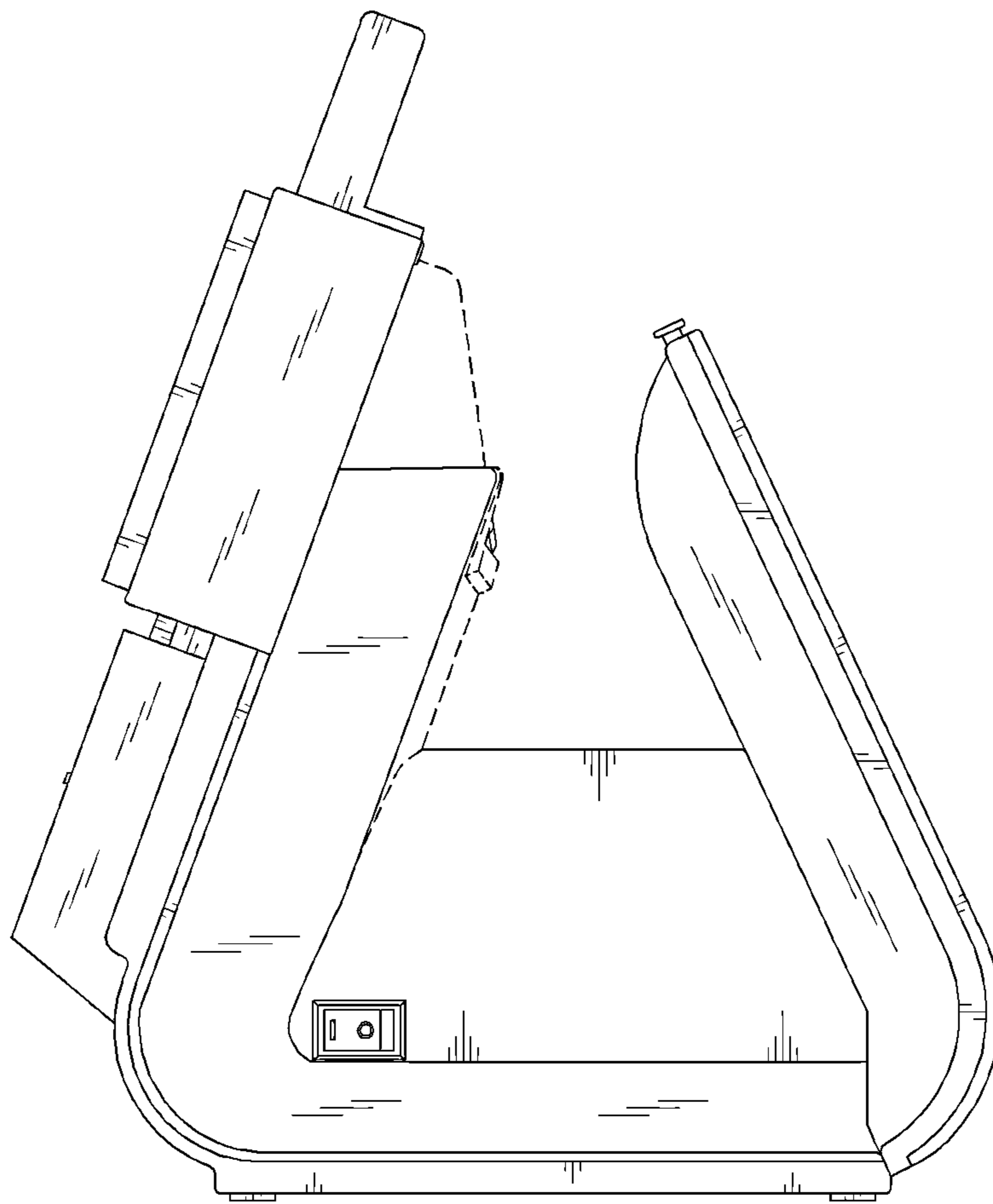


FIG.5

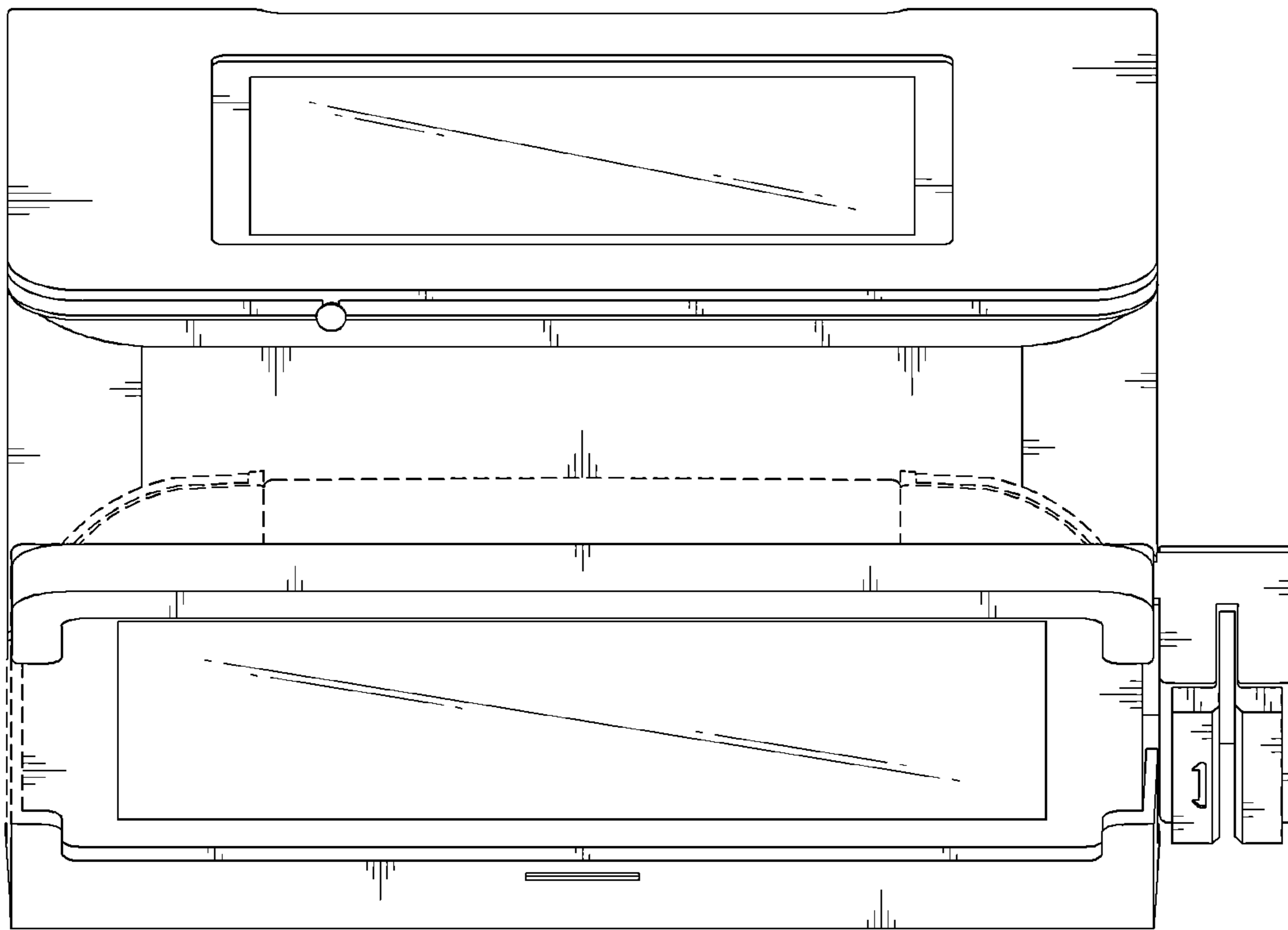


FIG.6

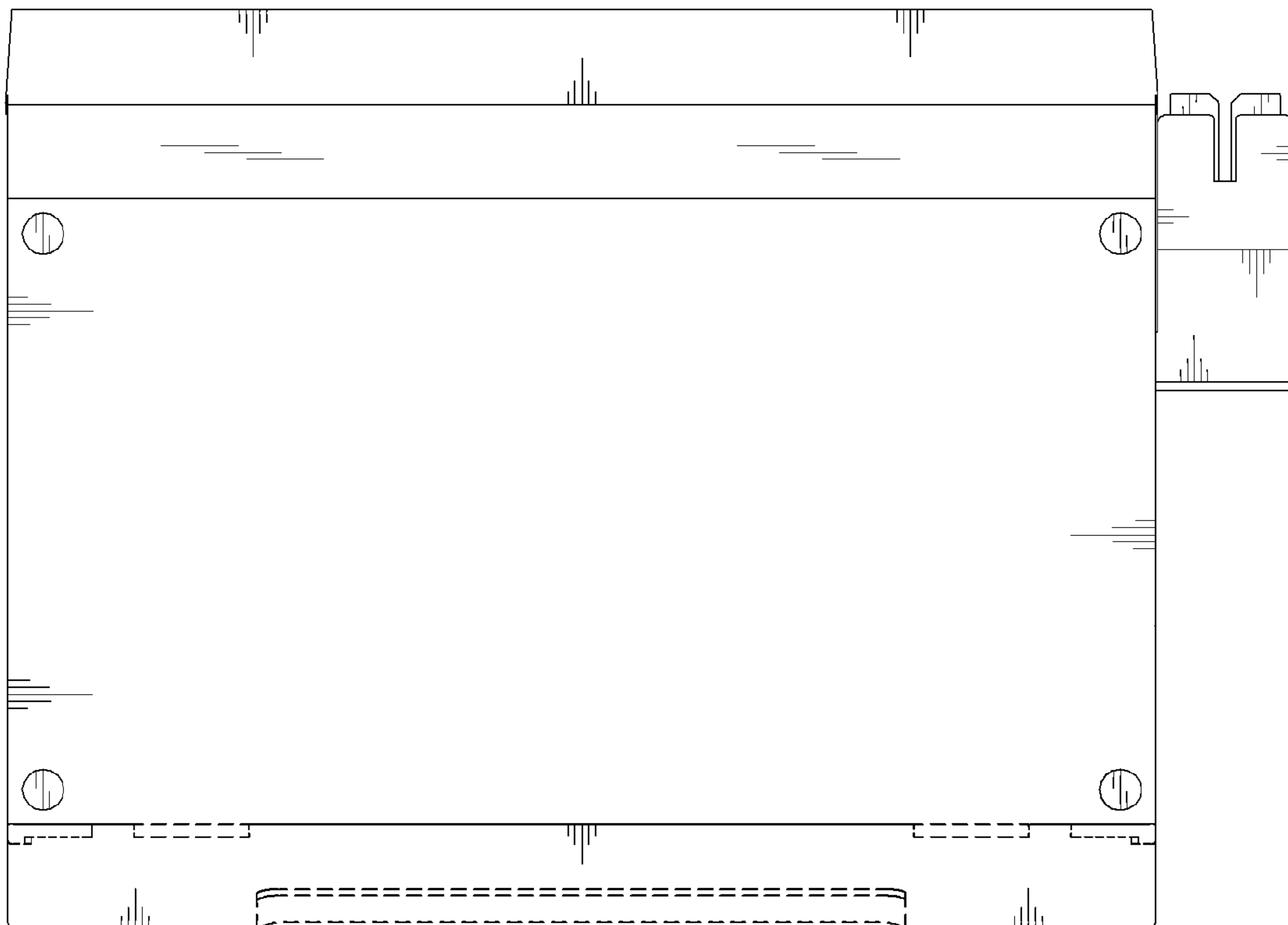


FIG.7