



US00D686650S

(12) **United States Design Patent**  
**Schultheiss et al.**

(10) **Patent No.:** **US D686,650 S**  
(45) **Date of Patent:** **\*\* Jul. 23, 2013**

(54) **HYDRAULIC AXIAL PISTON MACHINE**

(74) *Attorney, Agent, or Firm* — Maginot, Moore & Beck

(71) Applicants: **Martin Schultheiss**, Schwabisch Gmund (DE); **Christain Spielvogel**, Horb (DE)

(57) **CLAIM**

The ornamental design for a hydraulic axial piston machine, as shown and described.

(72) Inventors: **Martin Schultheiss**, Schwabisch Gmund (DE); **Christain Spielvogel**, Horb (DE)

(73) Assignee: **Bosch Rexroth AG**, Lohr am Main (DE)

(\*\*) Term: **14 Years**

**DESCRIPTION**

(21) Appl. No.: **29/438,223**

FIG. 1 is a front left perspective view of a first embodiment of the hydraulic axial piston machine showing our new design; FIG. 2 is a front elevational view showing the design for the hydraulic axial piston machine of FIG. 1; FIG. 3 is a rear elevational view showing the design for the hydraulic axial piston machine of FIG. 1; FIG. 4 is a bottom plan view showing the design for the hydraulic axial piston machine of FIG. 1; FIG. 5 is a top plan view showing the design for the hydraulic axial piston machine of FIG. 1; FIG. 6 is a left side elevational view showing the design for the hydraulic axial piston machine of FIG. 1; and FIG. 7 is a right side elevational view showing the design for the hydraulic axial piston machine of FIG. 1. FIG. 8 is a front left perspective view of a second embodiment of the hydraulic axial piston machine showing our new design; FIG. 9 is a front elevational view showing the design for the hydraulic axial piston machine of FIG. 8; FIG. 10 is a rear elevational view showing the design for the hydraulic axial piston machine of FIG. 8; FIG. 11 is a bottom plan view showing the design for the hydraulic axial piston machine of FIG. 8; FIG. 12 is a top plan view showing the design for the hydraulic axial piston machine of FIG. 8; FIG. 13 is a left side elevational view showing the design for the hydraulic axial piston machine of FIG. 8; and, FIG. 14 is a right side elevational view showing the design for the hydraulic axial piston machine of FIG. 8. The broken lines in the drawings depict unclaimed environmental subject matter.

(22) Filed: **Nov. 27, 2012**

**Related U.S. Application Data**

(62) Division of application No. 29/371,087, filed on Oct. 15, 2010, now Pat. No. Des. 673,596.

(30) **Foreign Application Priority Data**

Apr. 16, 2010 (EM) ..... 001696717

(51) **LOC (9) Cl.** ..... **15-99**

(52) **U.S. Cl.**  
USPC ..... **D15/149**

(58) **Field of Classification Search**  
USPC ..... D15/1, 3, 5, 7-9, 148, 149; 91/476, 91/499, 505; 92/12.2, 19, 20, 71; 417/212, 417/218, 269, 319

See application file for complete search history.

(56) **References Cited**

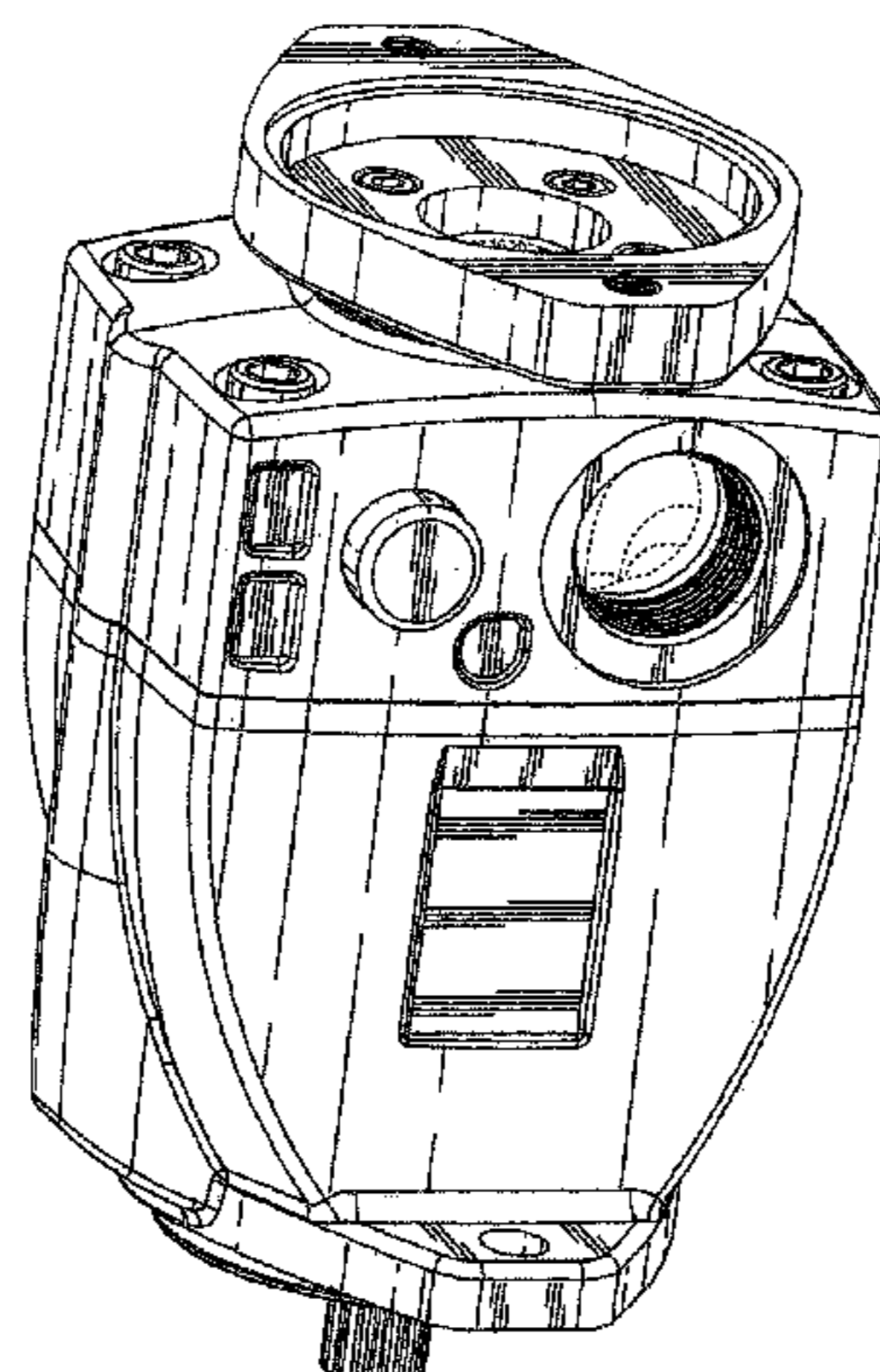
**U.S. PATENT DOCUMENTS**

6,405,634 B1	6/2002	Hansen
6,595,886 B1	7/2003	Forster
6,663,354 B2	12/2003	Forster
6,701,824 B2	3/2004	Forster
D501,860 S	2/2005	Wanschura et al.
D502,717 S	3/2005	Wanschura et al.
D533,205 S	12/2006	Sinz

(Continued)

*Primary Examiner* — Patricia Palasik

**1 Claim, 14 Drawing Sheets**



# US D686,650 S

Page 2

---

## U.S. PATENT DOCUMENTS

D543,565 S	5/2007	Kopecki	2006/0169072 A1	8/2006	Beck
7,263,925 B1	9/2007	Hansen et al.	2006/0201323 A1	9/2006	Forster
D553,654 S	10/2007	Betz	2006/0269421 A1	11/2006	Sakikawa et al.
D613,770 S *	4/2010	Kitamura et al. ....	2007/0186764 A1	8/2007	Hansen et al.
D674,828 S *	1/2013	Andersson ..... D15/7	2010/0269687 A1	10/2010	Krogh et al.
2004/0166986 A1 *	8/2004	Bayer et al. .... 475/331	2011/0252958 A1	10/2011	Spielvogel et al.

\* cited by examiner

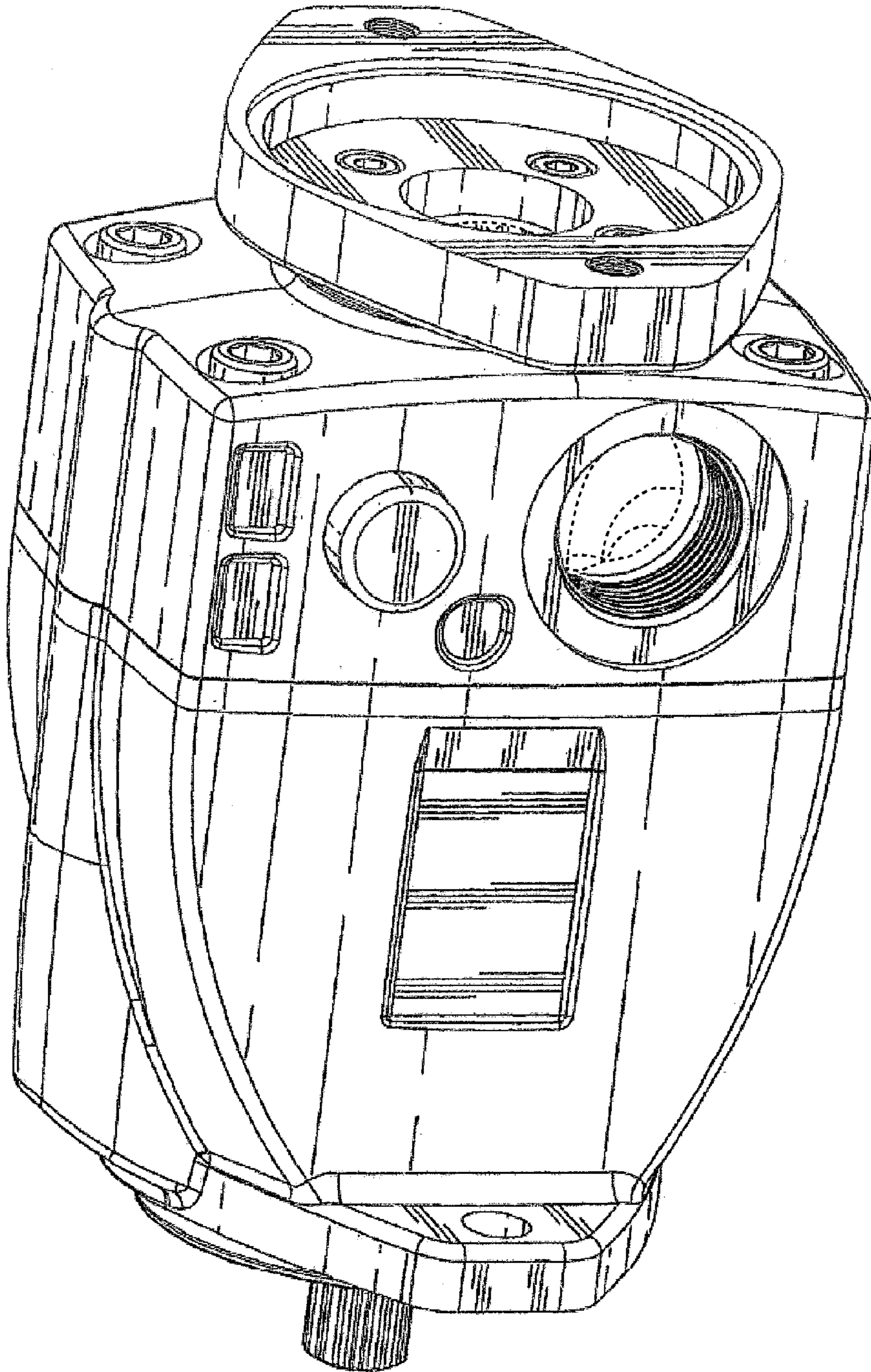


Figure 1

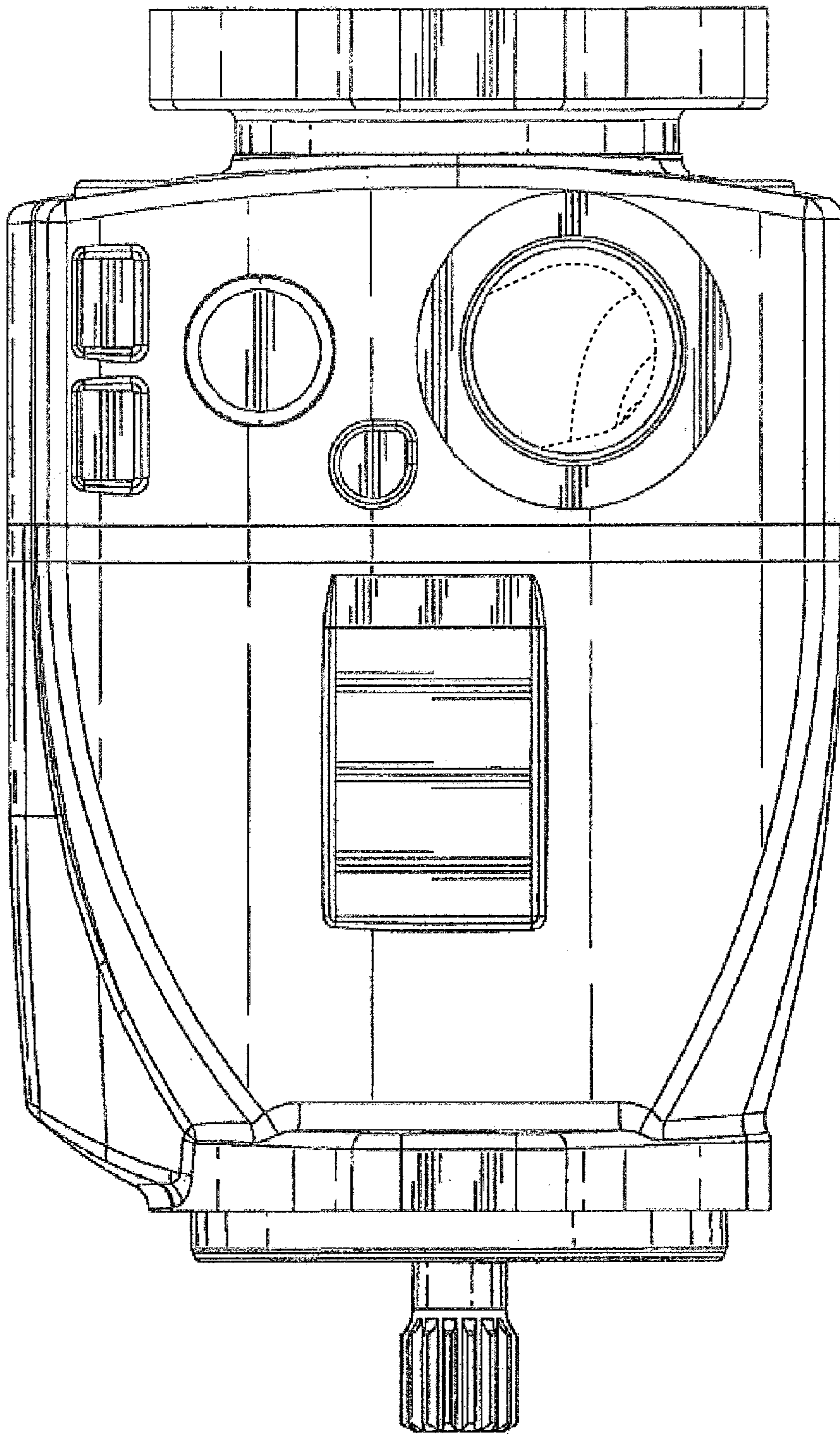


Figure 2

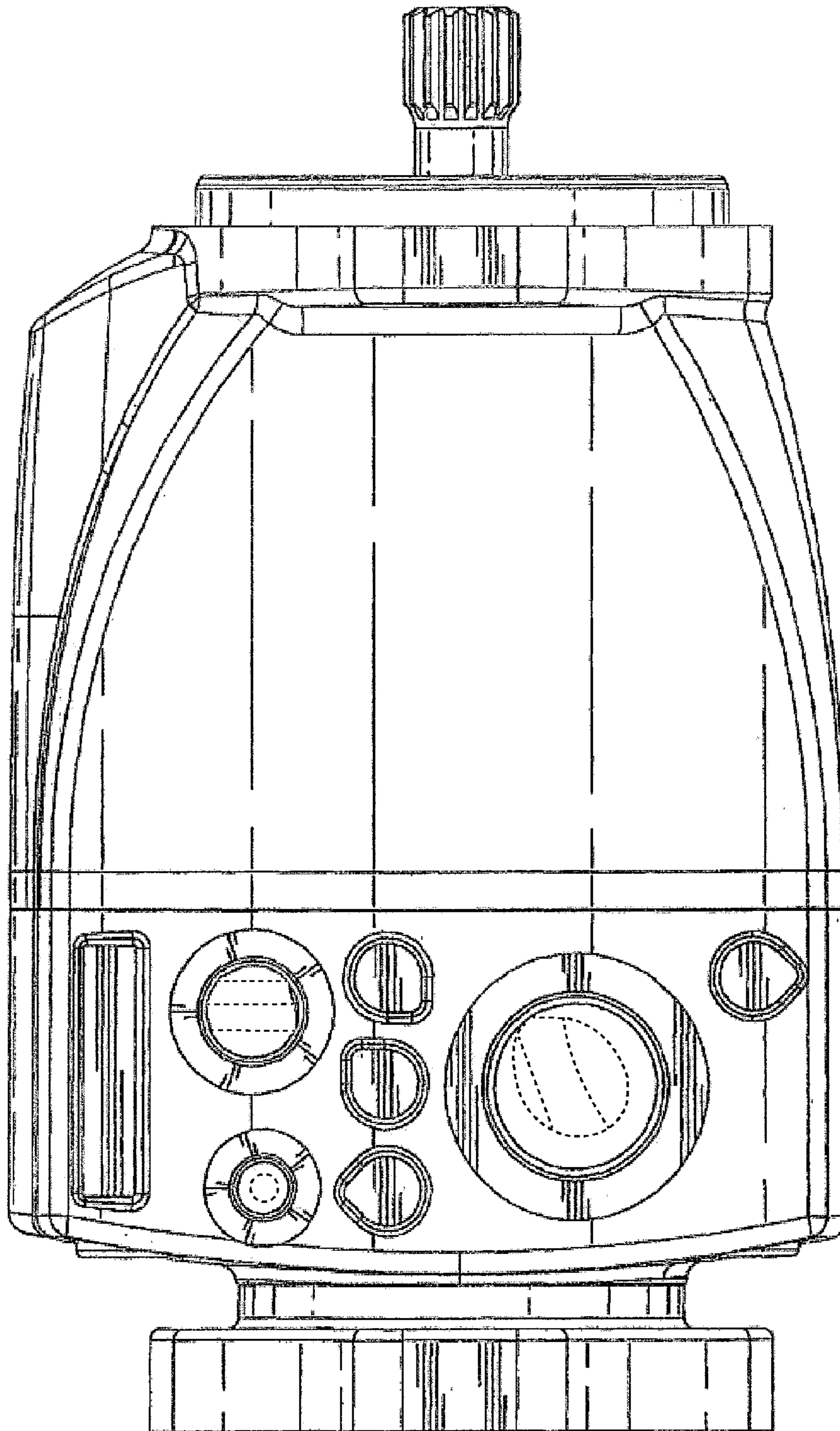


Figure 3

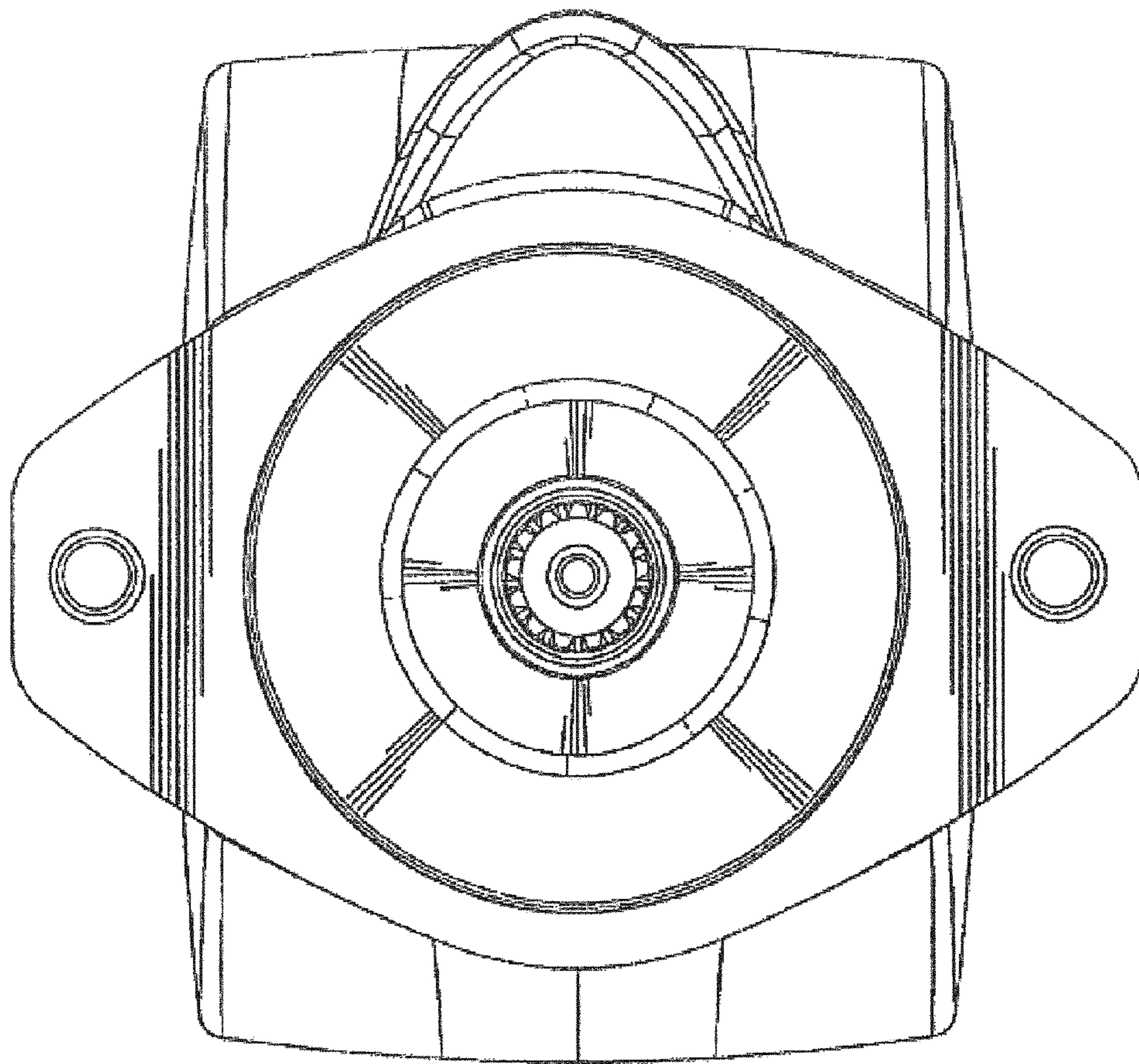


Figure 4

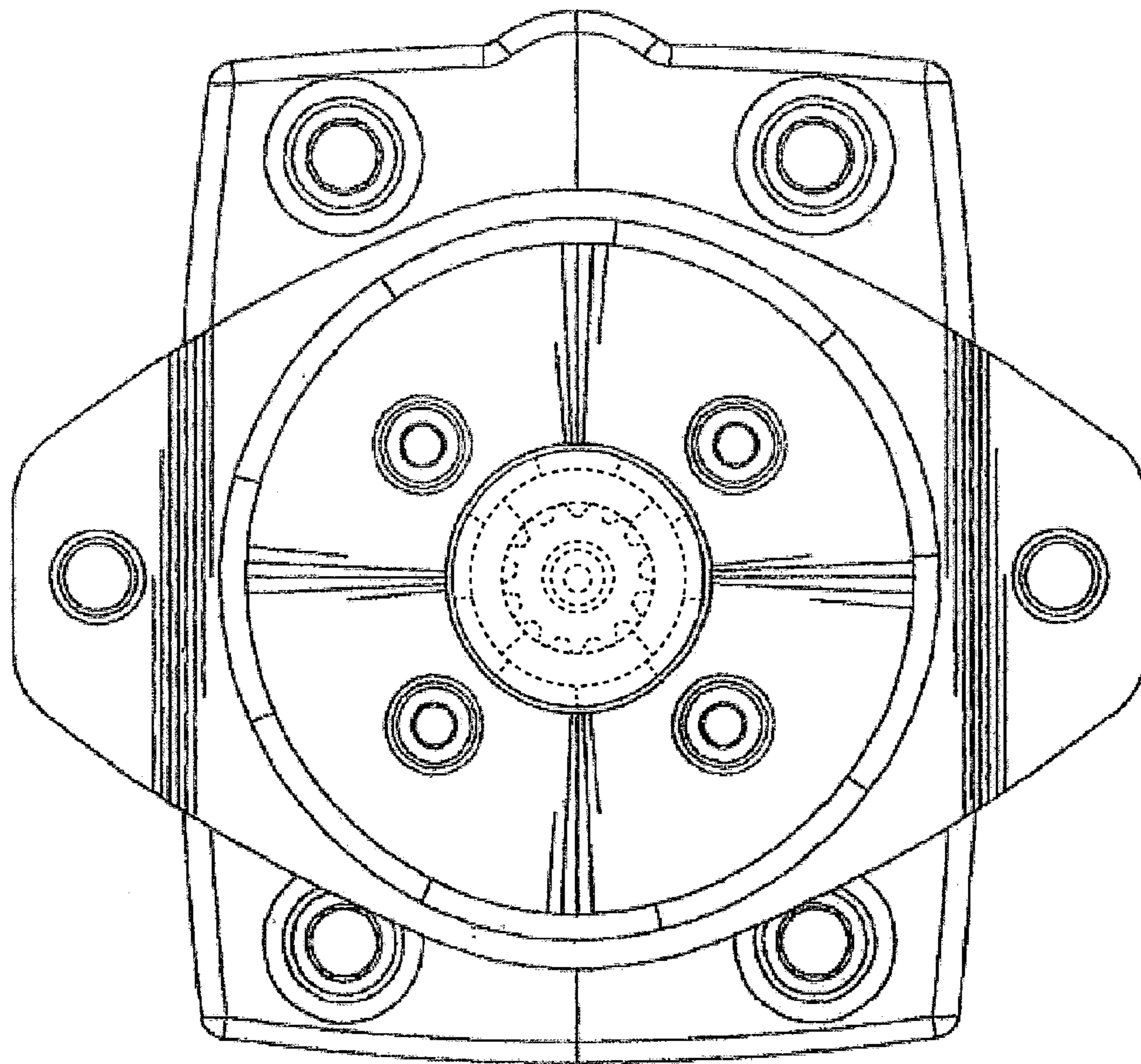


Figure 5

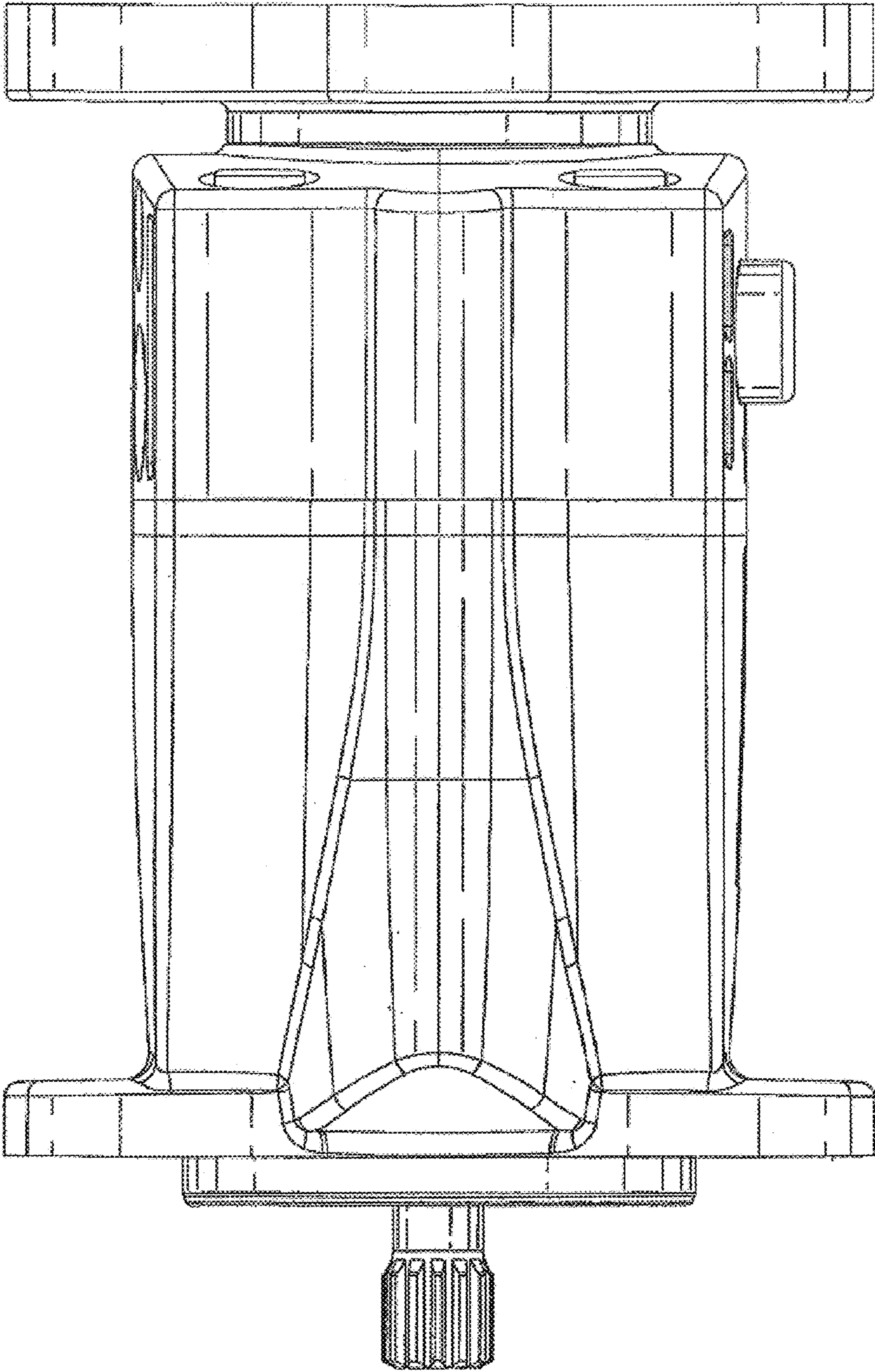


Figure 6



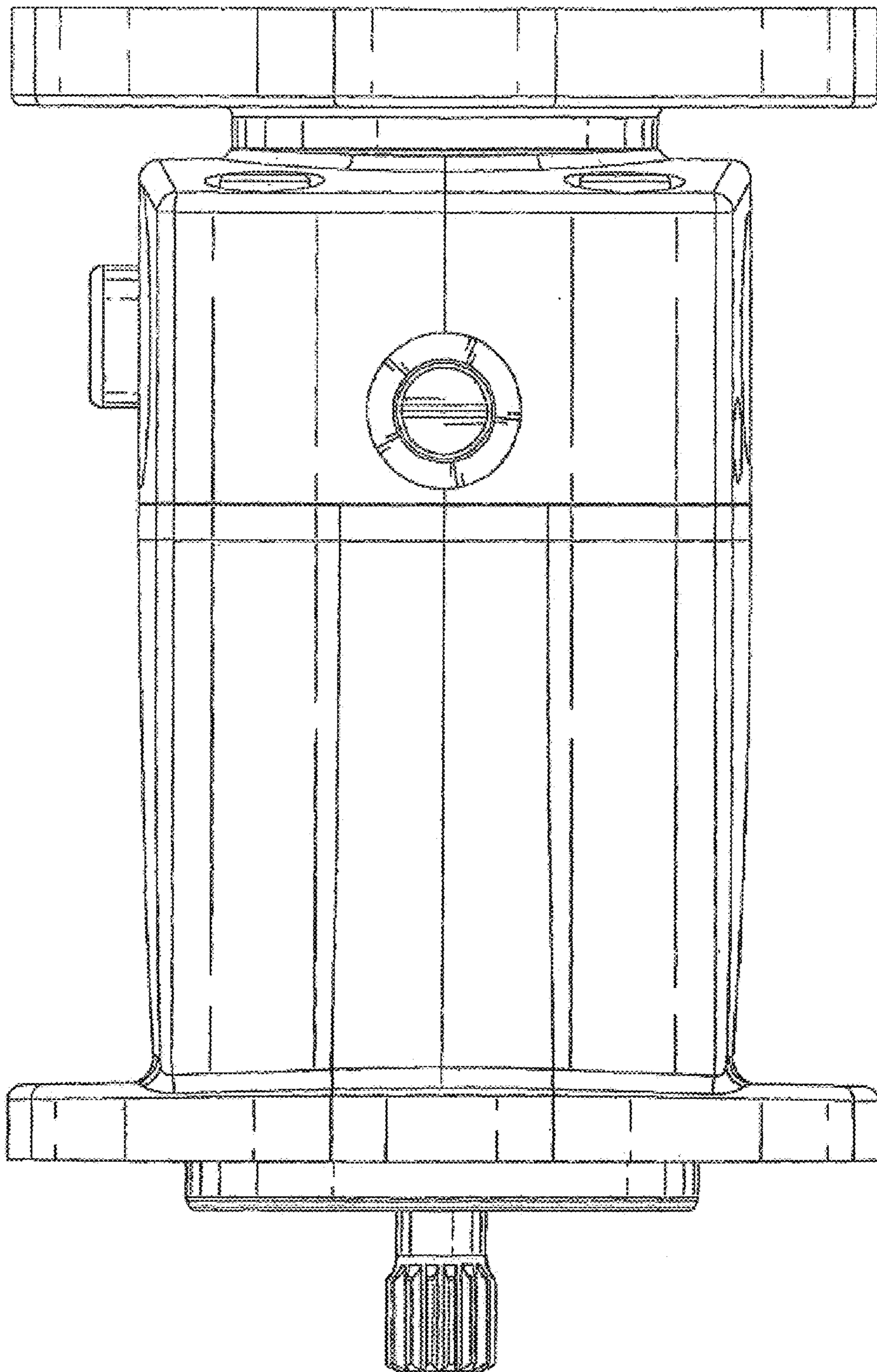


Figure 7

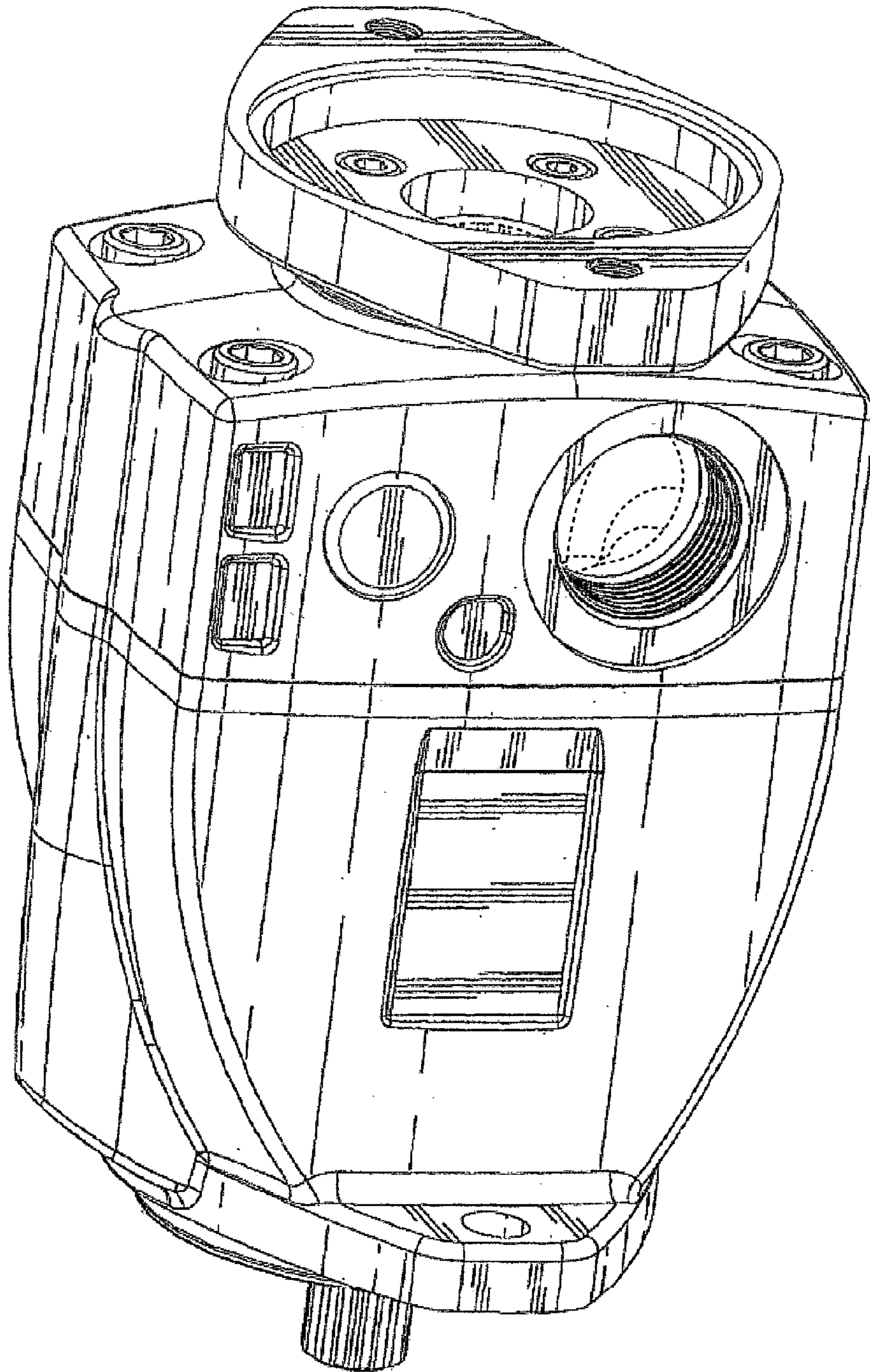


Figure 8

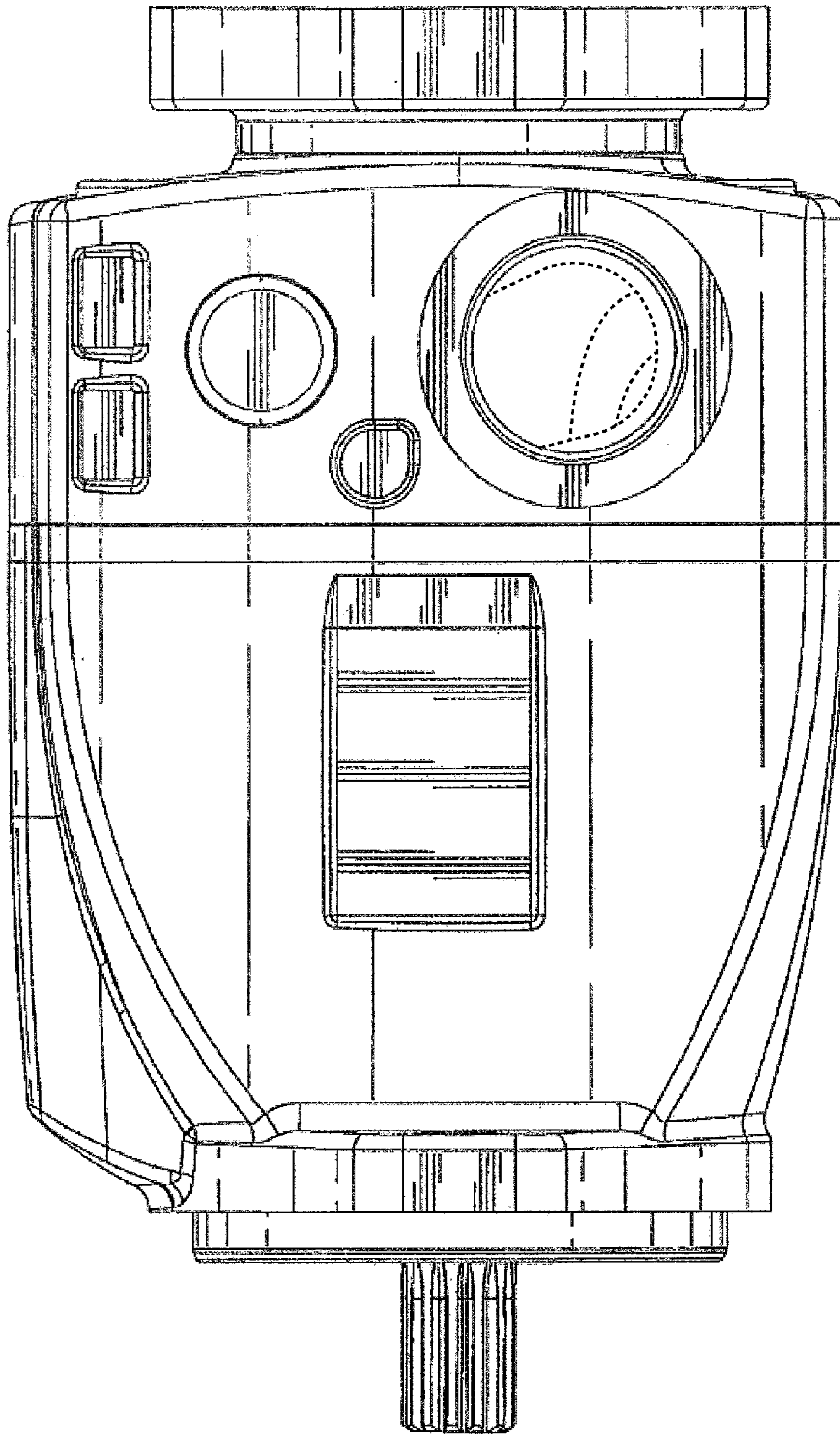


Figure 9

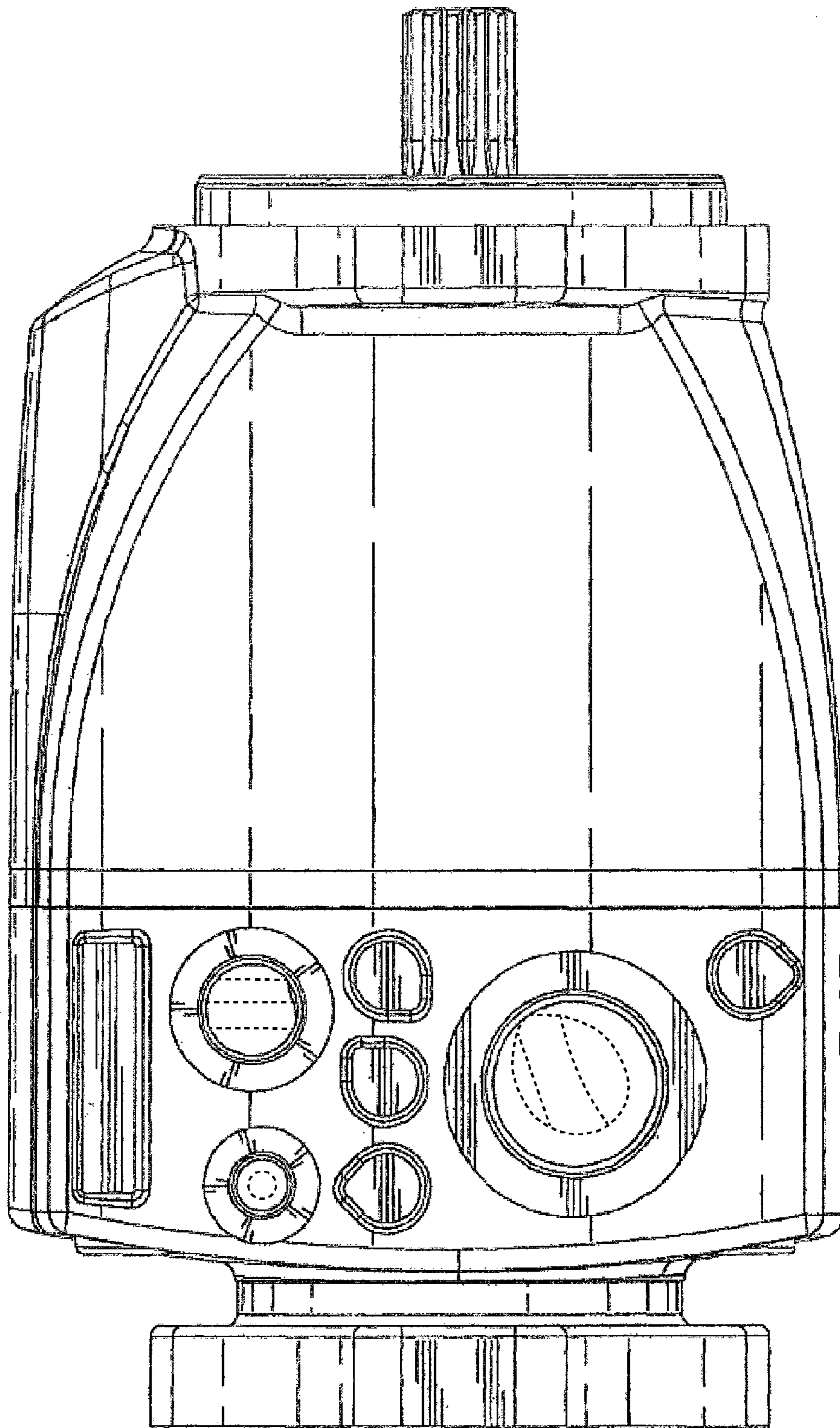


Figure 10

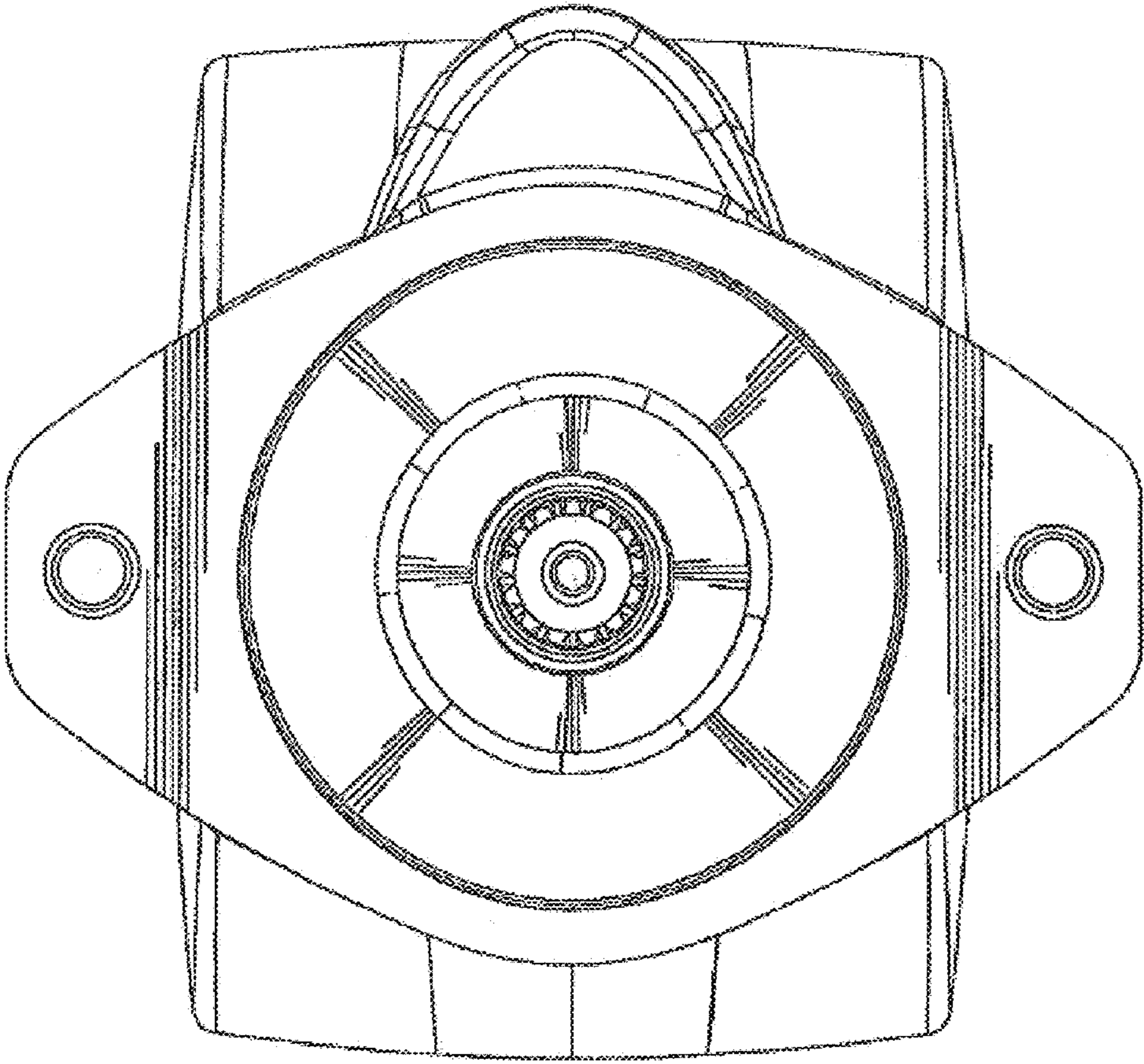


Figure 11

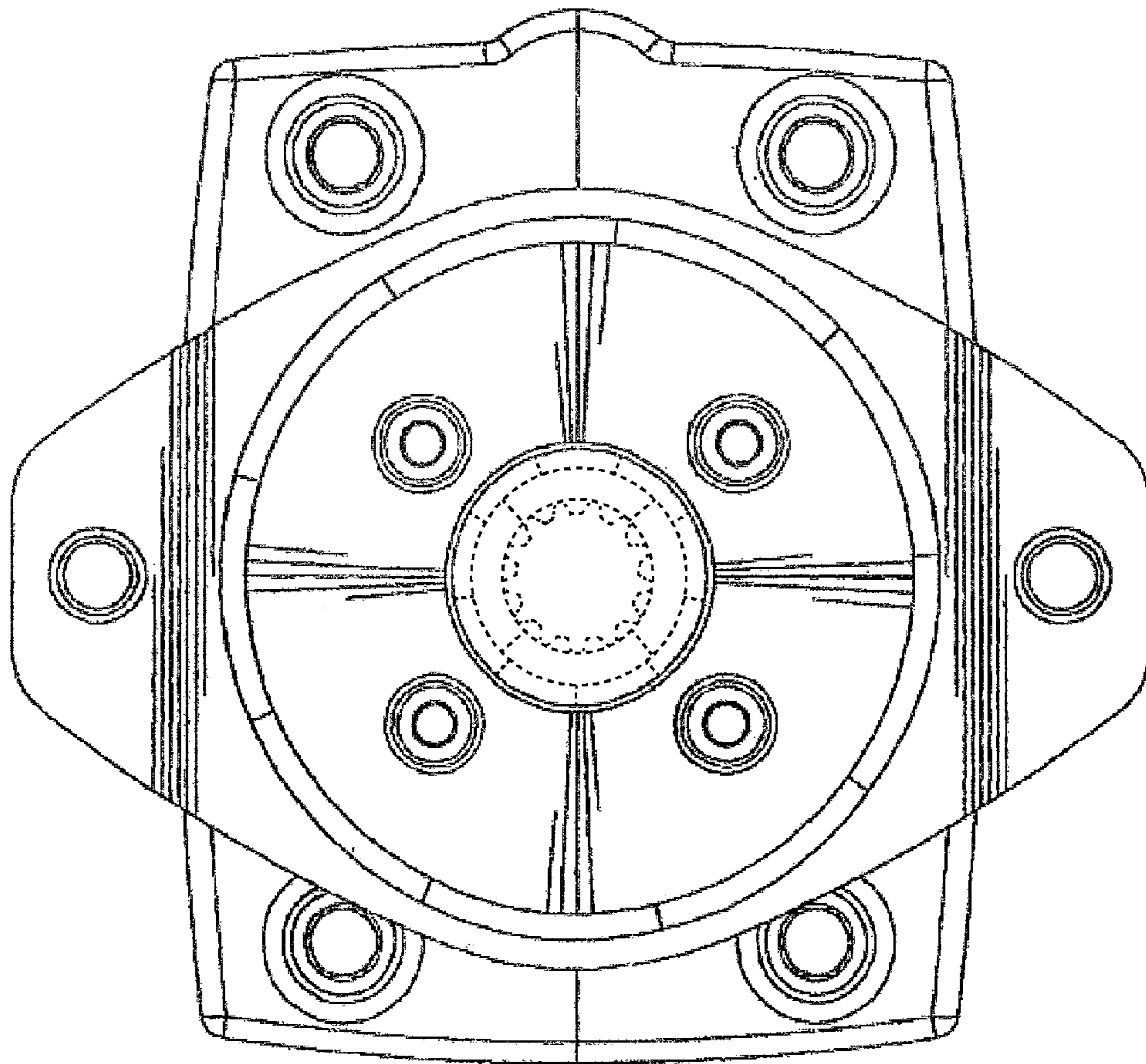


Figure 12

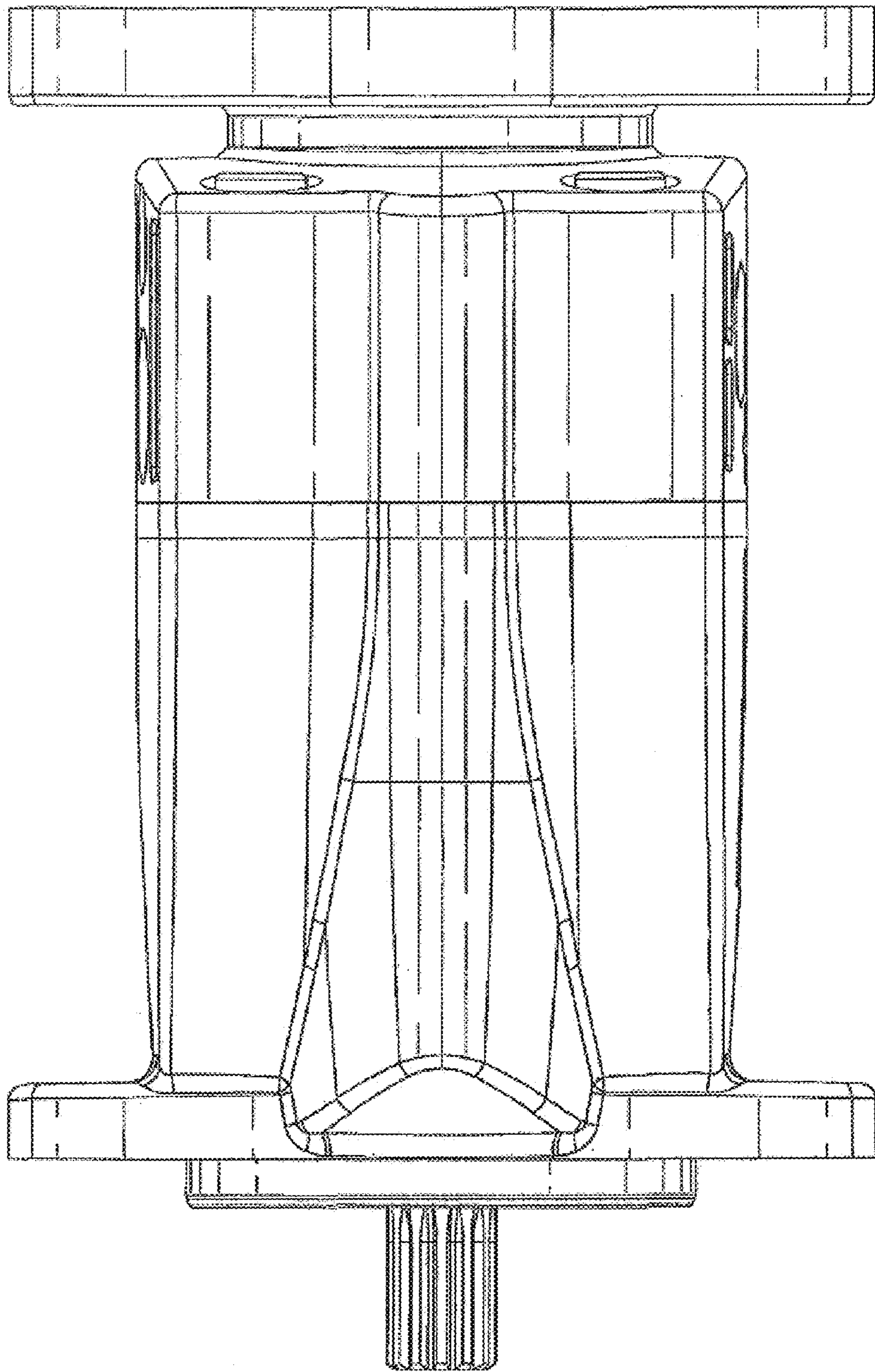


Figure 13

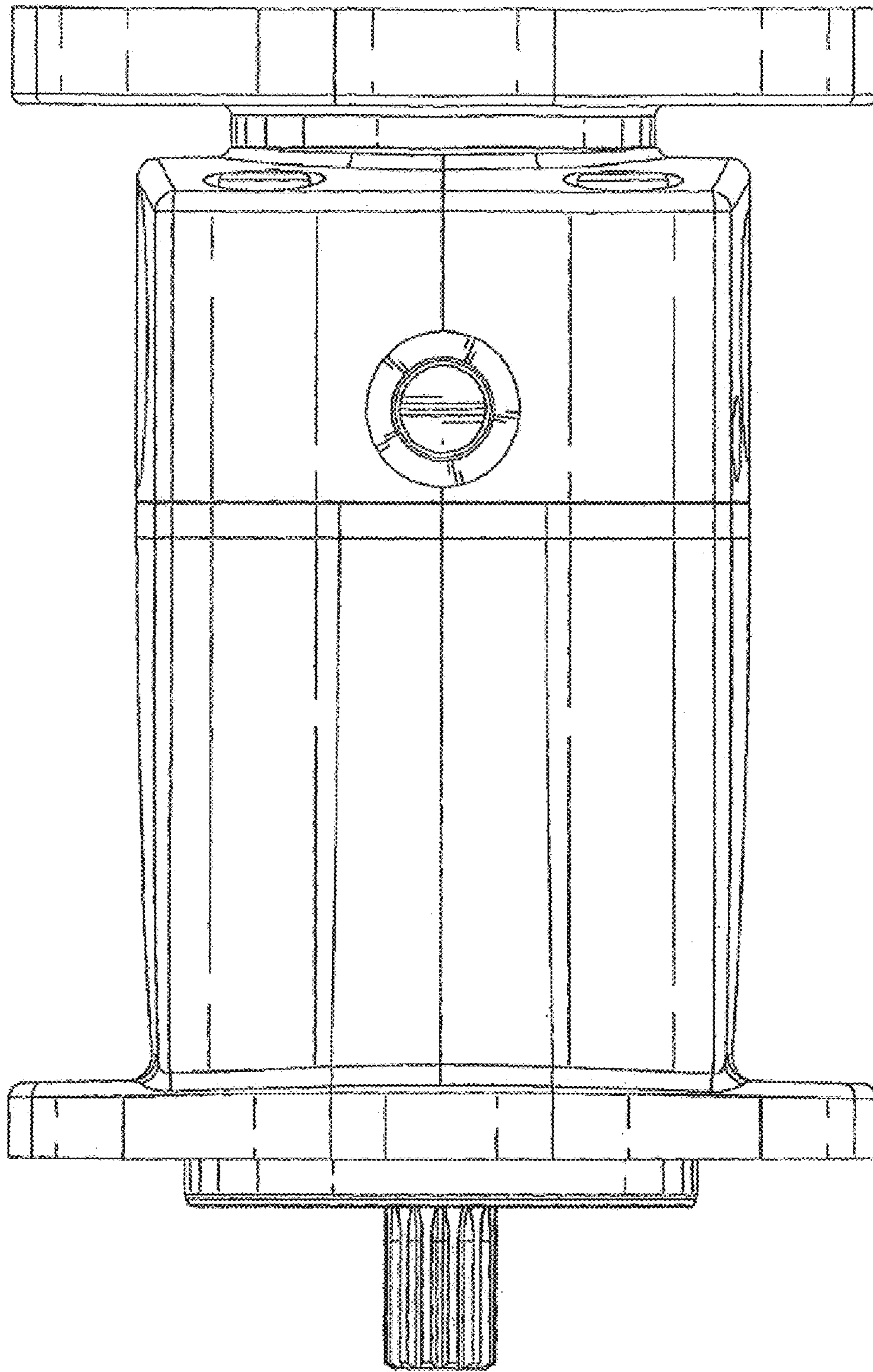


Figure 14



UNITED STATES PATENT AND TRADEMARK OFFICE  
**CERTIFICATE OF CORRECTION**

PATENT NO. : D686,650 S  
APPLICATION NO. : 29/438223  
DATED : July 23, 2013  
INVENTOR(S) : Schultheiss et al.

Page 1 of 1

It is certified that error appears in the above-identified patent and that said Letters Patent is hereby corrected as shown below:

On Title Page Item (71) Applicant

Please delete "Christain Spielvogel" and insert --Christian Spielvogel-- in its place.

On Title Page Item (72) Inventor

Please delete "Christain Spielvogel" and insert --Christian Spielvogel-- in its place.

Signed and Sealed this  
Twenty-eighth Day of January, 2014



Michelle K. Lee  
*Deputy Director of the United States Patent and Trademark Office*