



US00D686649S

(12) **United States Design Patent**
Zhou et al.

(10) **Patent No.:** **US D686,649 S**

(45) **Date of Patent:** **** Jul. 23, 2013**

(54) **LAMINATOR**

(75) Inventors: **Licheng Zhou**, Changzhou (CN);
Ziqiang Ding, Changzhou (CN);
Shaohua Hu, Xi'an (CN)

(73) Assignee: **New United Office Equipment**,
Changzhou (CN)

(**) Term: **14 Years**

(21) Appl. No.: **29/417,823**

(22) Filed: **Apr. 9, 2012**

(51) **LOC (9) Cl.** **15-99**

(52) **U.S. Cl.**
USPC **D15/146**

(58) **Field of Classification Search**
USPC ... D15/145, 146; D18/50, 51, 53; 100/155 R,
100/160, 176; 156/555, 560, 582, 583.1
See application file for complete search history.

(56) **References Cited**

U.S. PATENT DOCUMENTS

D301,238 S * 5/1989 Makihara D15/146
D436,970 S * 1/2001 Choi D15/136

D579,957 S * 11/2008 Kiple et al. D15/145
D633,118 S * 2/2011 Beatty et al. D15/146
D658,694 S * 5/2012 Day et al. D15/146
D663,331 S * 7/2012 Day et al. D15/146
2005/0022480 A1* 2/2005 Brakes 53/512
2007/0193230 A1* 8/2007 Bapista 53/510

* cited by examiner

Primary Examiner — Patricia Palasik

(74) *Attorney, Agent, or Firm* — Lowe Graham Jones PLLC

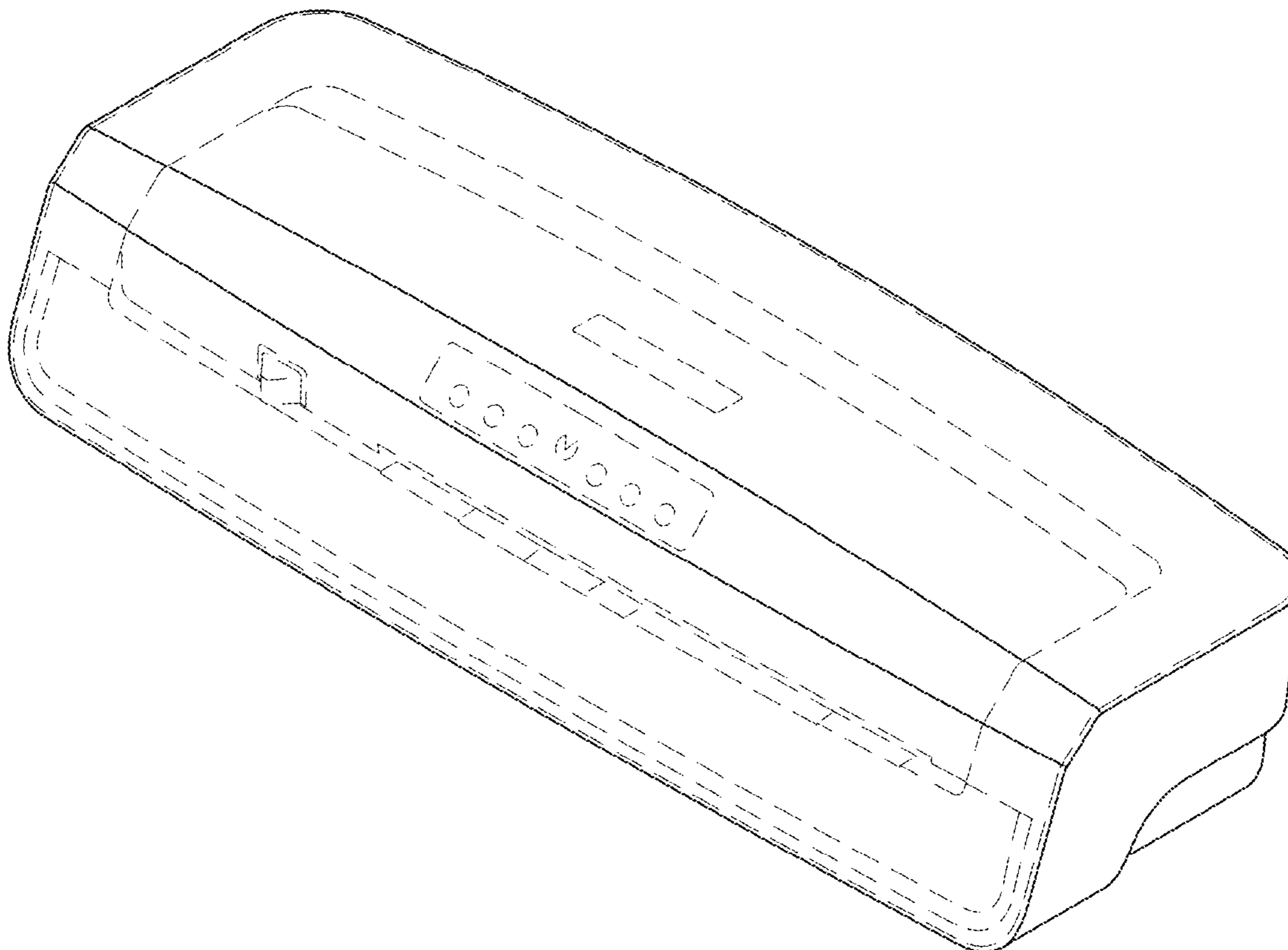
(57) **CLAIM**

We claim the ornamental design for a laminator, as shown and described.

DESCRIPTION

FIG. 1 is a front isometric view of the laminator, showing my new design;
FIG. 2 is a front-elevational view of the laminator;
FIG. 3 is a top view of the laminator;
FIG. 4 is a right side-elevational view of the laminator;
FIG. 5 is a left side-elevational view of the laminator;
FIG. 6 is a rear-elevational view of the laminator; and,
FIG. 7 is a bottom view of the laminator.

1 Claim, 4 Drawing Sheets



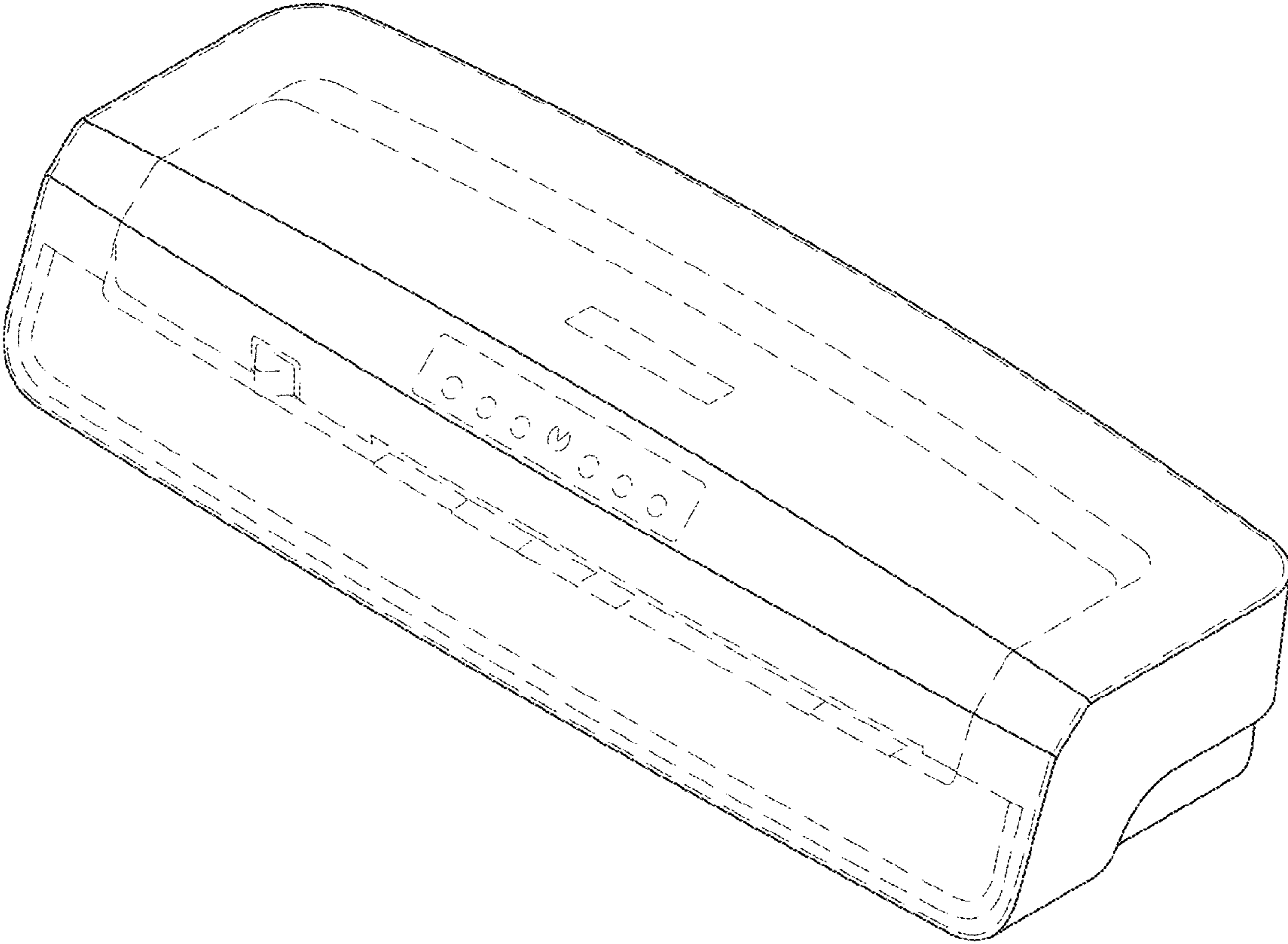


FIG.1



FIG. 2

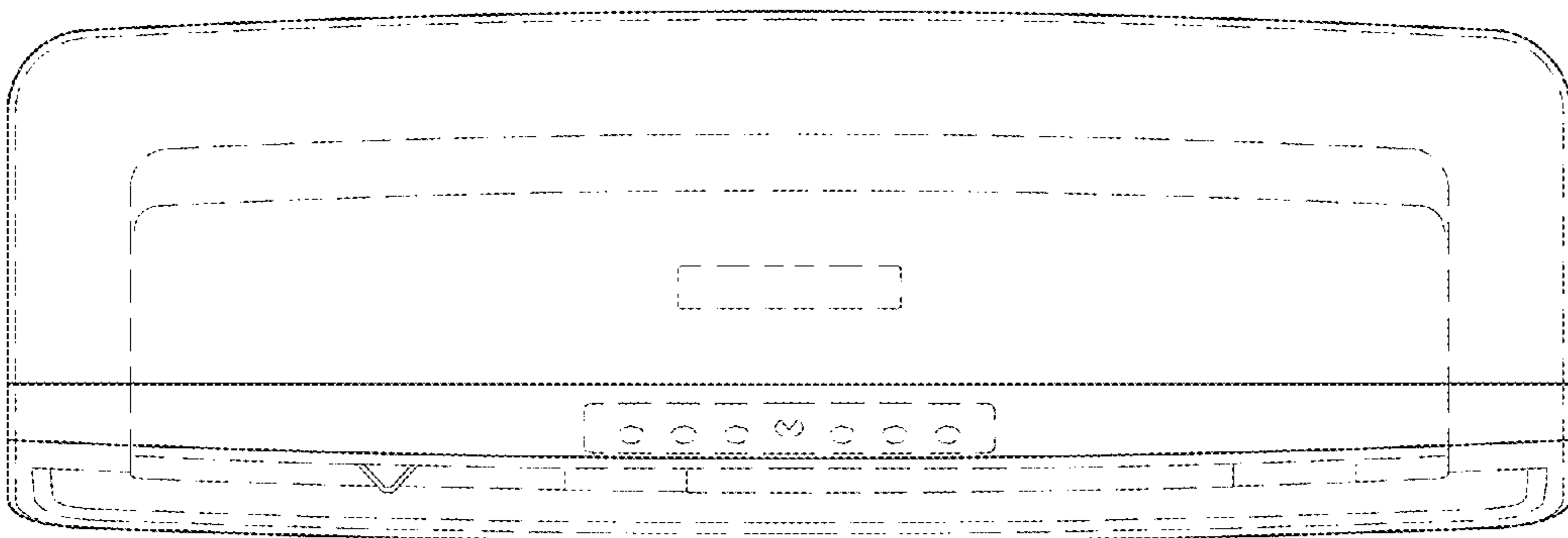


FIG. 3

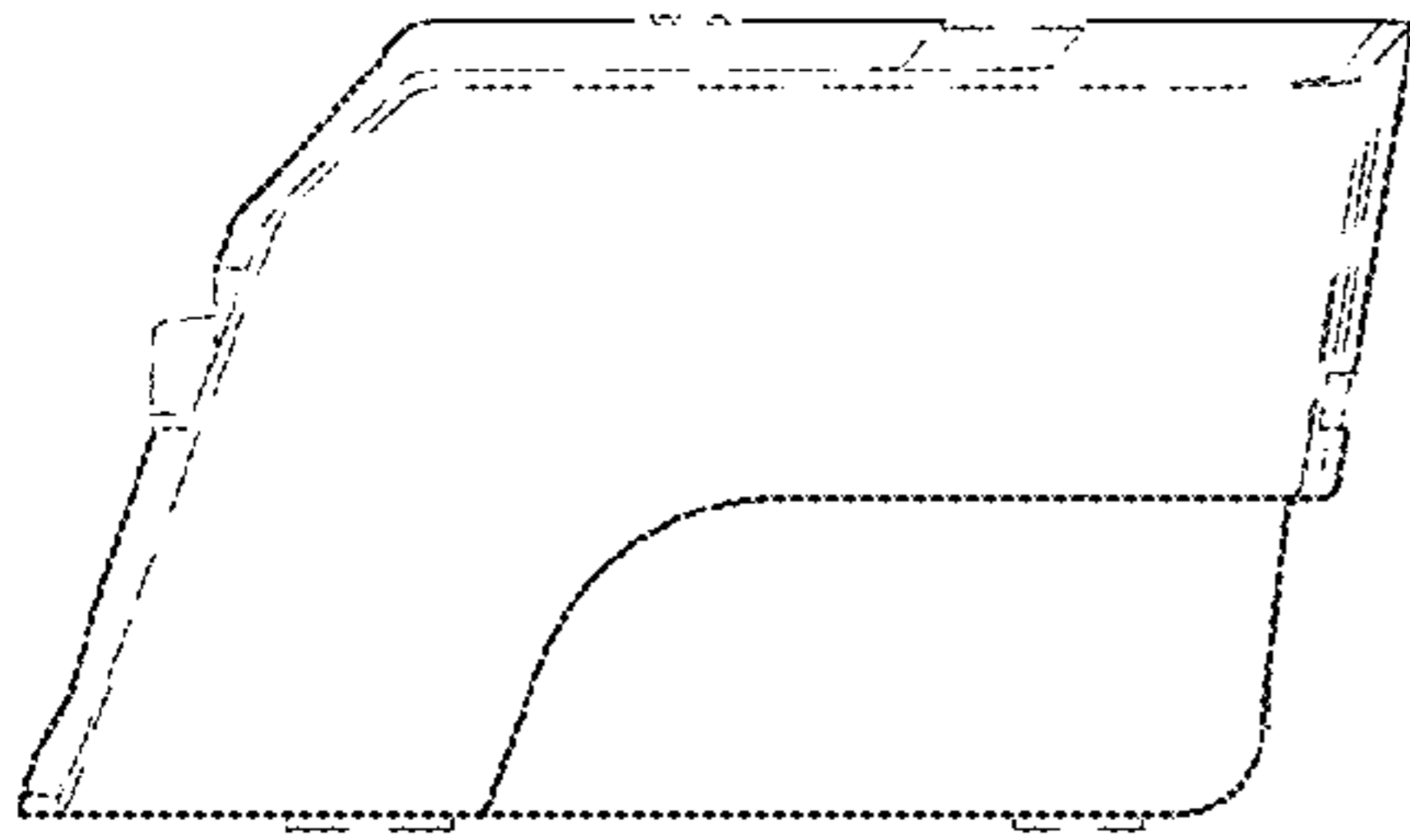


FIG. 4

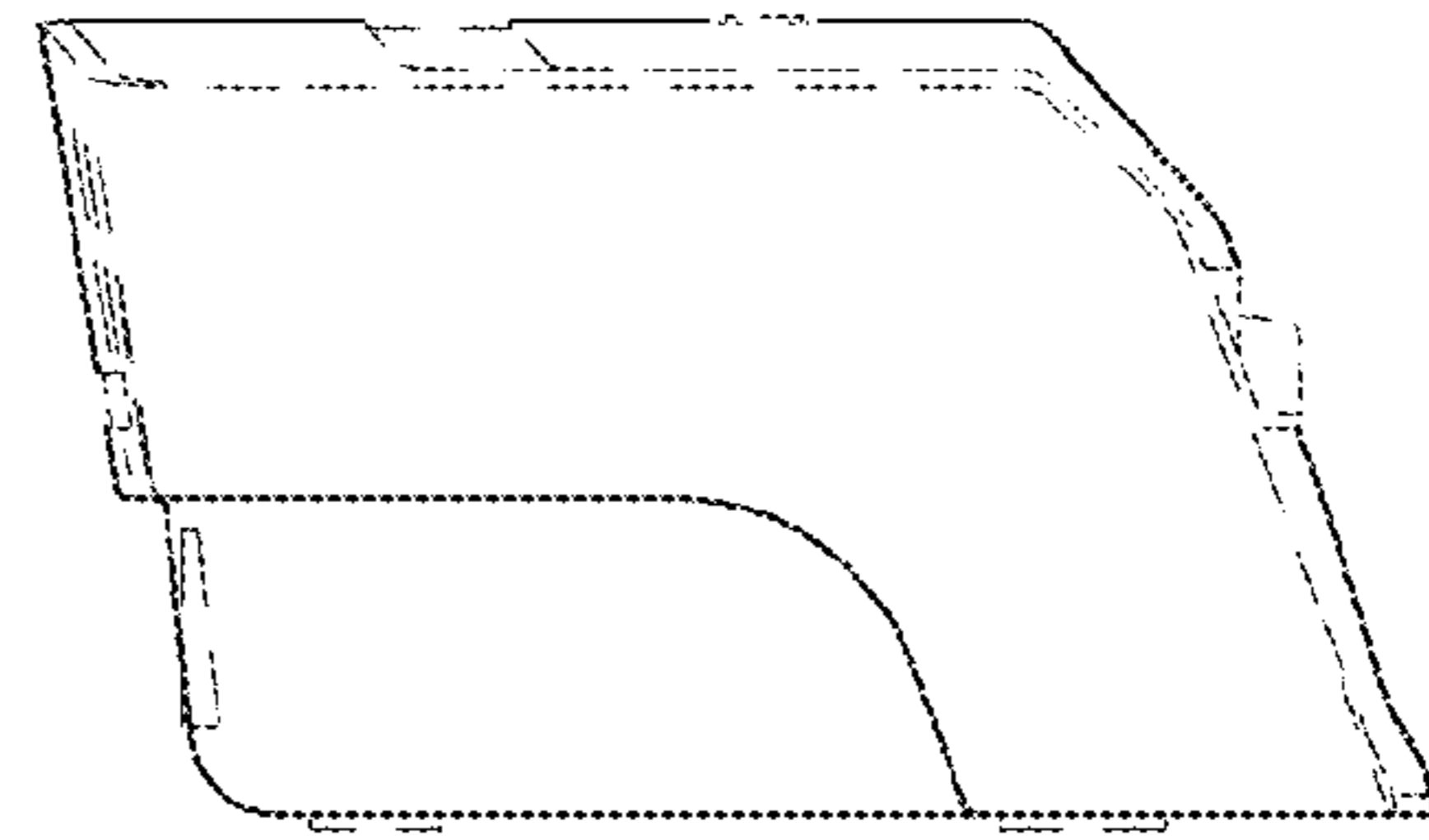


FIG. 5

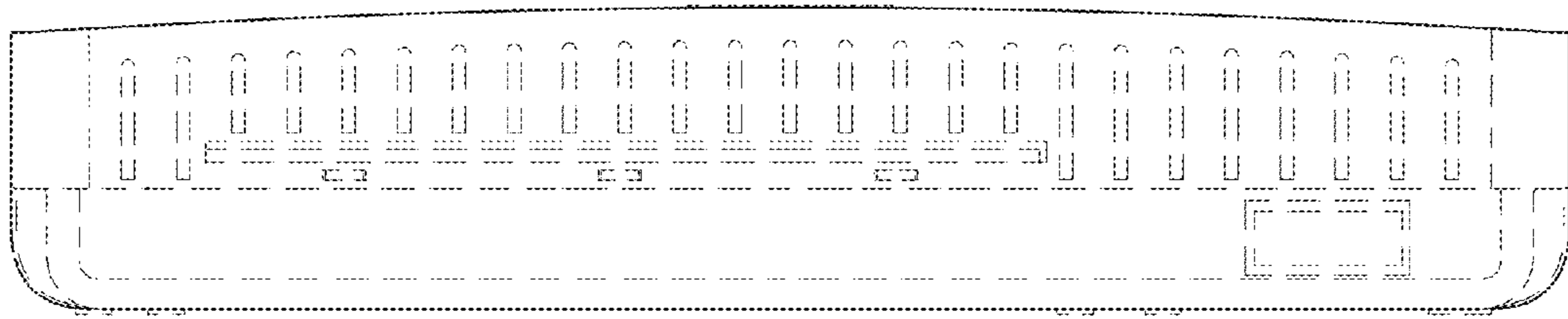


FIG. 6

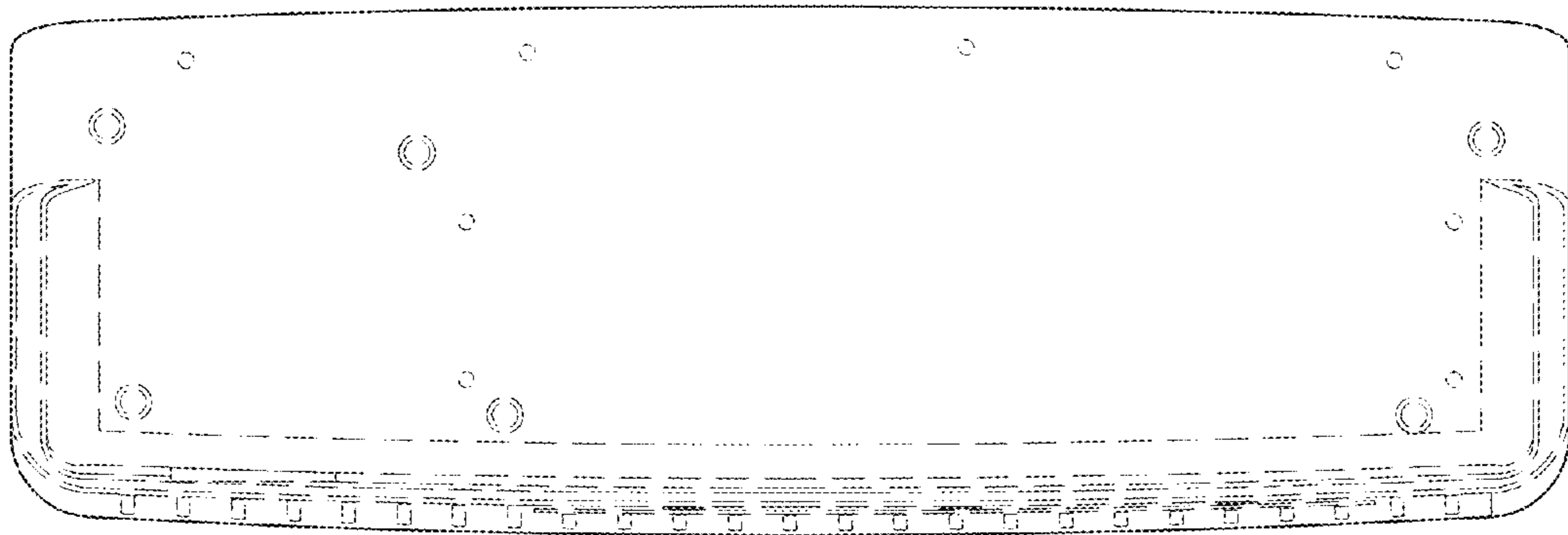


FIG. 7