

US00D686645S

(12) **United States Design Patent**  
**Rees**

(10) **Patent No.:** **US D686,645 S**

(45) **Date of Patent:** **\*\* Jul. 23, 2013**

(54) **MITRE SAW**

(75) Inventor: **Samuel Ryan Rees**, Sheffield (GB)

(73) Assignee: **Evolution Power Tools Limited**,  
Sheffield (GB)

(\*\*) Term: **14 Years**

(21) Appl. No.: **29/426,728**

(22) Filed: **Jul. 10, 2012**

(51) **LOC (9) Cl.** ..... **15-09**

(52) **U.S. Cl.**  
USPC ..... **D15/133**

(58) **Field of Classification Search**  
USPC ... D8/61, 64-69; D15/133, 134; 30/377-378,  
30/388-391; 83/377, 378, 388, 397, 468.3,  
83/469

See application file for complete search history.

(56) **References Cited**

U.S. PATENT DOCUMENTS

D421,267 S	2/2000	Price et al.	
D459,373 S	6/2002	Hollinger et al.	
D487,280 S *	3/2004	Hon et al.	D15/133
D490,826 S *	6/2004	Wu	D15/133
D520,033 S	5/2006	Firth	
D535,670 S *	1/2007	Firth	D15/133
D547,338 S *	7/2007	Firth	D15/133
D608,375 S *	1/2010	Kokawa et al.	D15/133
D623,204 S	9/2010	Weusthof	
D626,159 S *	10/2010	Jebb	D15/133

D649,568 S *	11/2011	Zhou et al.	D15/133
D653,268 S *	1/2012	Bindhammer	D15/133
D654,102 S *	2/2012	Bindhammer	D15/133
D666,639 S *	9/2012	Rees	D15/133
2004/0074363 A1 *	4/2004	Svetlik et al.	83/581
2007/0074611 A1 *	4/2007	Hu	83/471.2

\* cited by examiner

Primary Examiner — Patricia Palasik

(74) Attorney, Agent, or Firm — King & Schickli, PLLC

(57) **CLAIM**

The ornamental design for a mitre saw, as shown and described.

**DESCRIPTION**

FIG. 1 is a front perspective view of a mitre saw from one side and from above of the present invention;

FIG. 2 is a front perspective view from the other side, and from above thereof;

FIG. 3 is an elevation of one side of FIGS. 1 and 2 thereof;

FIG. 4 is an elevation of the other side of FIGS. 1 and 2 thereof;

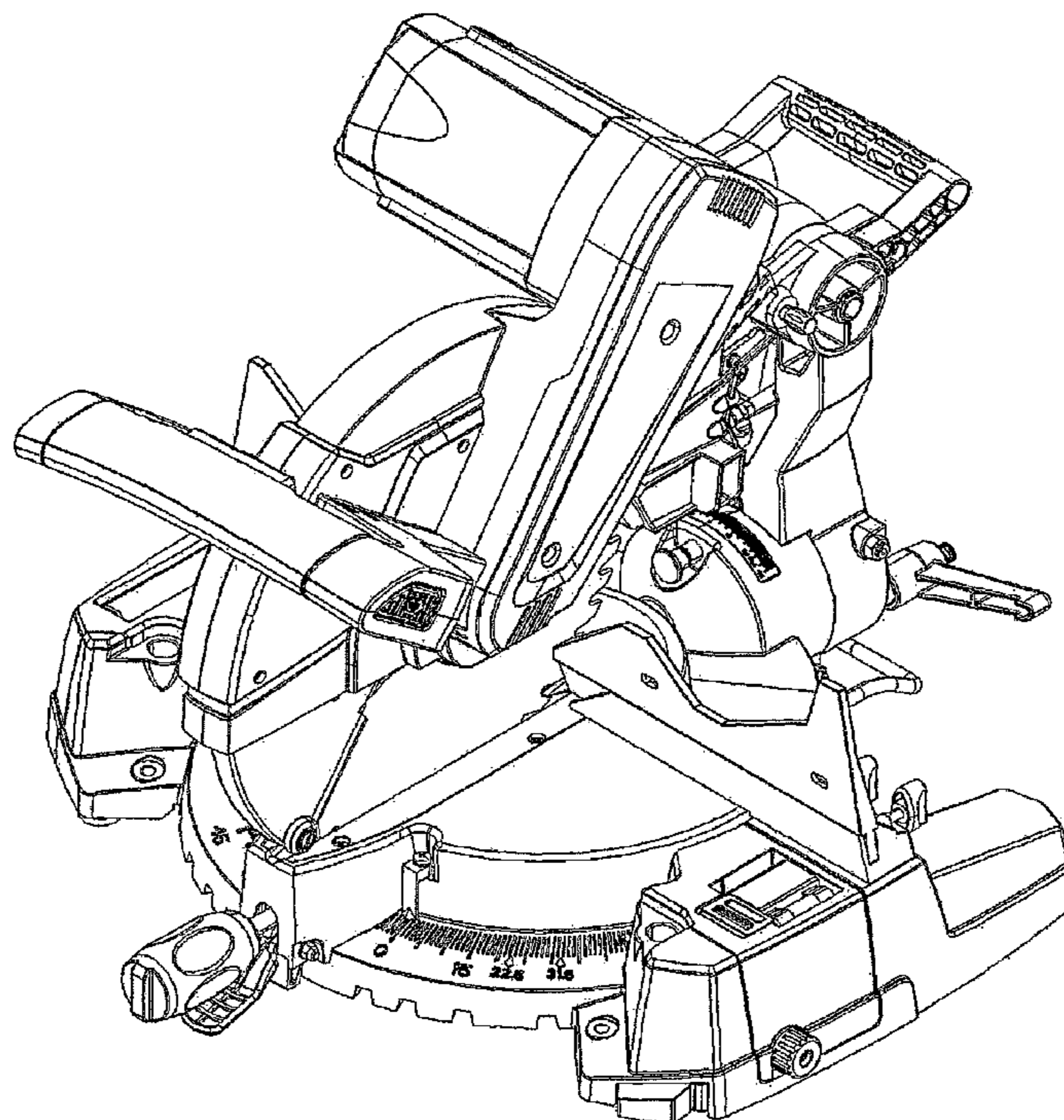
FIG. 5 is a front elevation of FIGS. 1 and 2 thereof;

FIG. 6 is a rear elevation of FIGS. 1 and 2 thereof; and,

FIG. 7 is a top plan view of FIGS. 1 and 2 thereof.

The broken lines in the drawings depict unclaimed environmental subject matter.

**1 Claim, 7 Drawing Sheets**



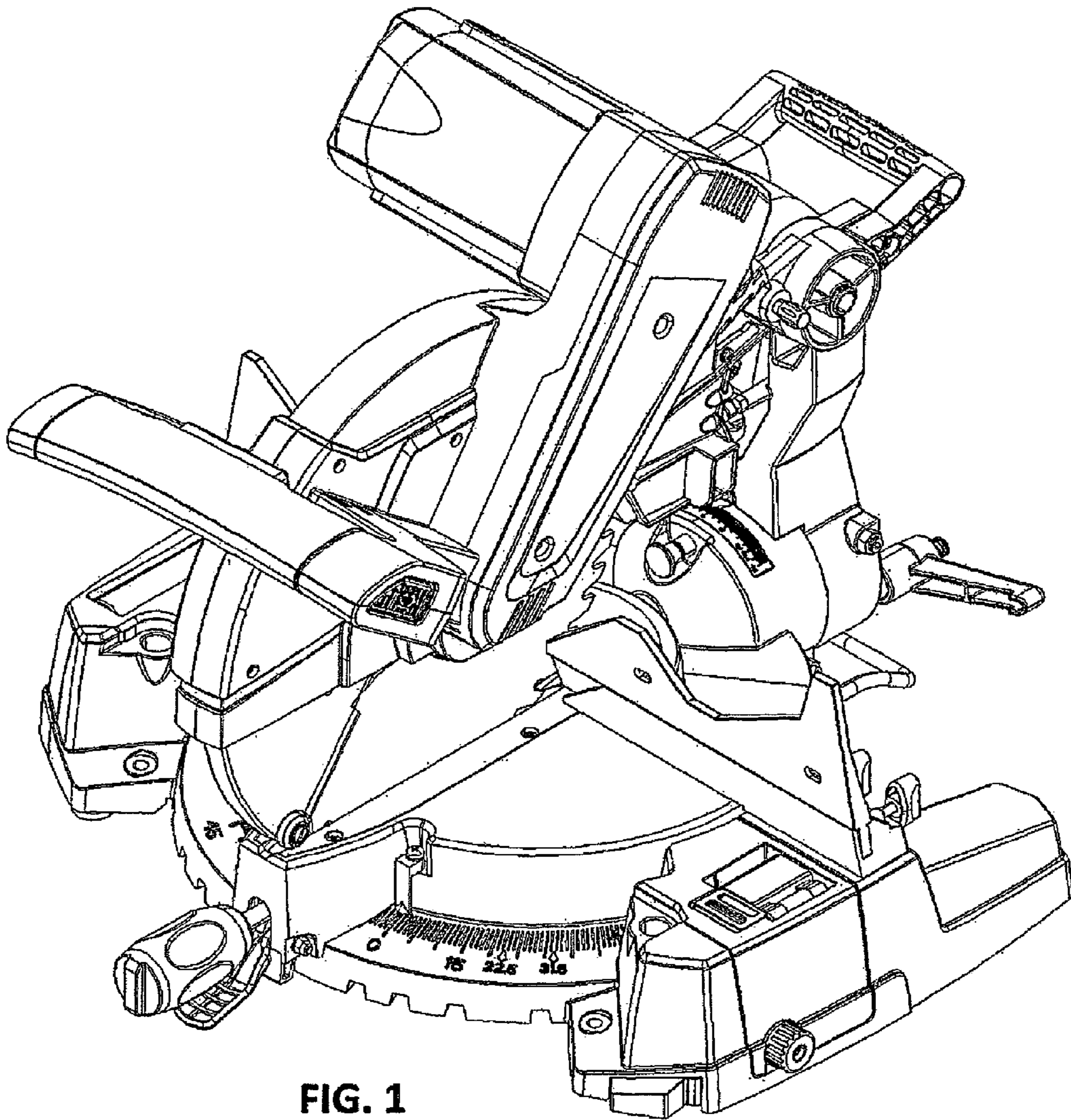


FIG. 1



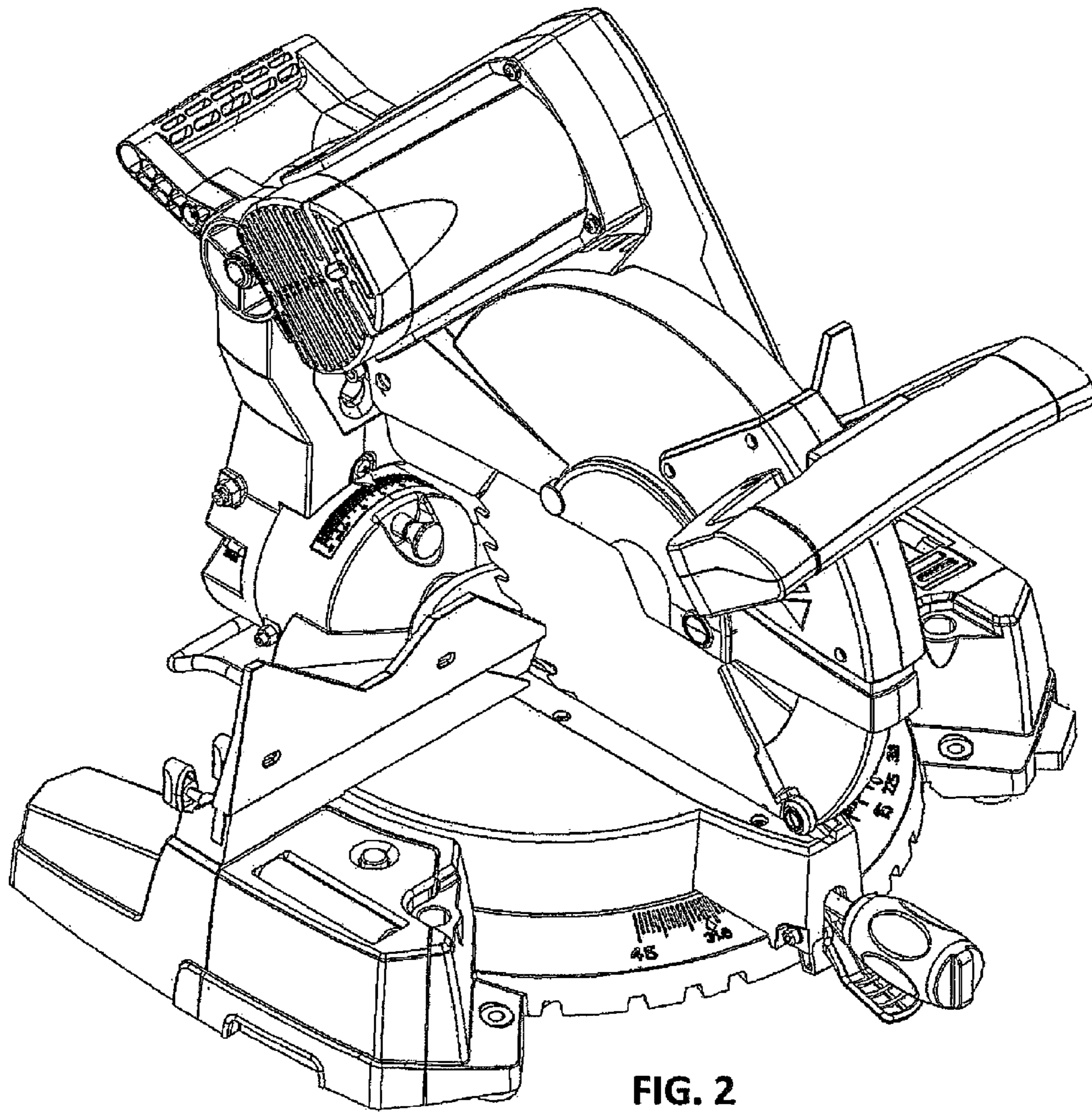


FIG. 2

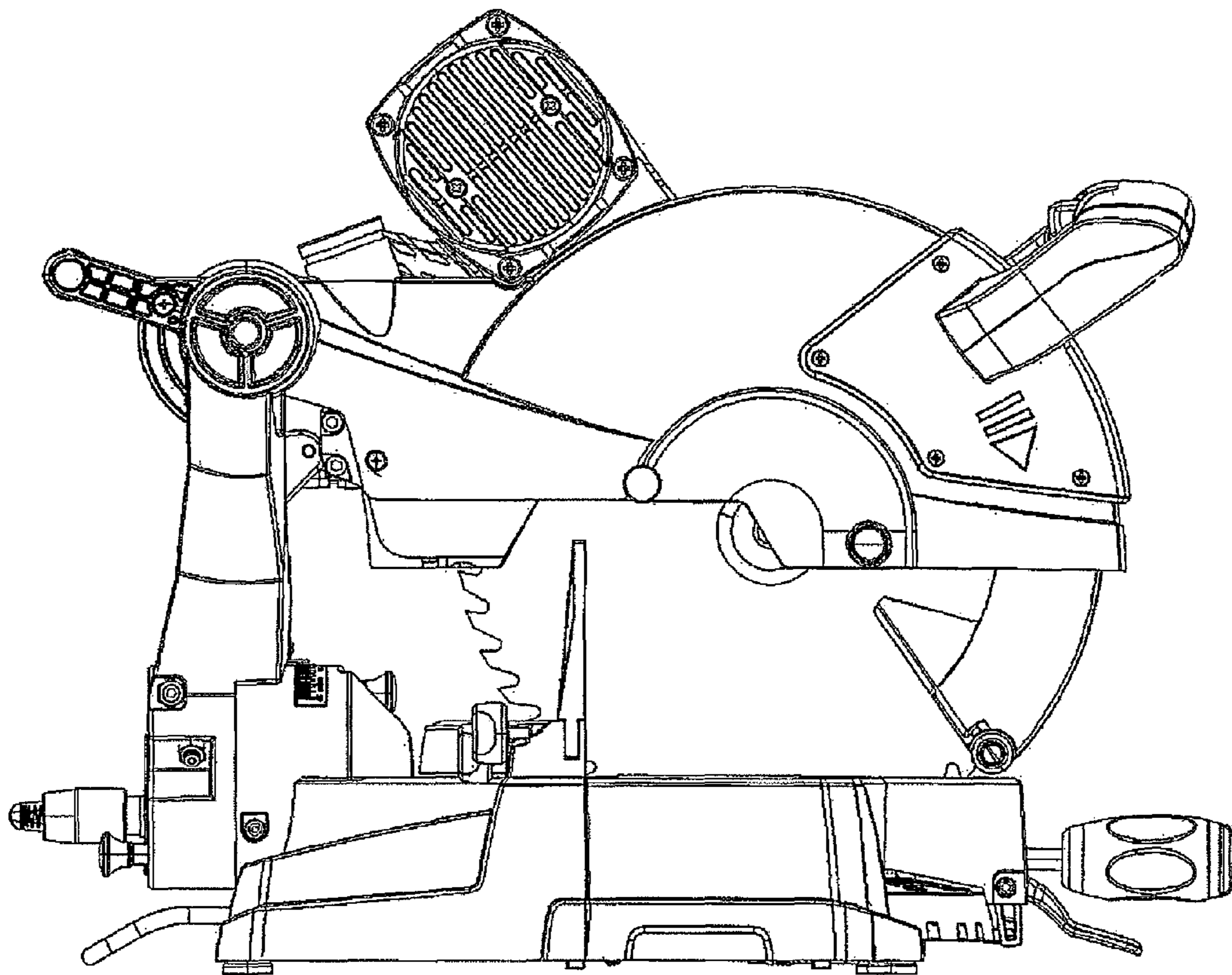


FIG. 3

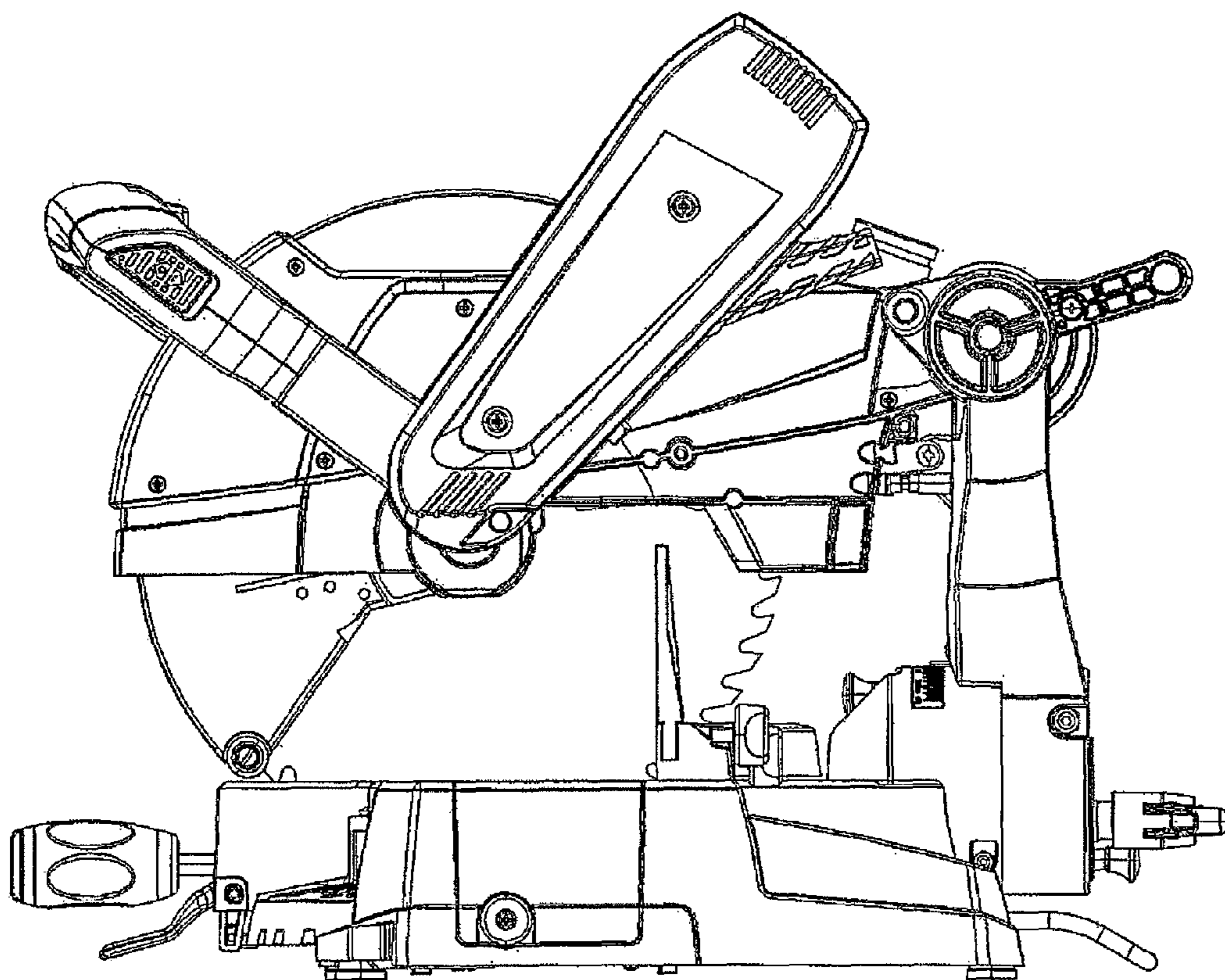


FIG. 4

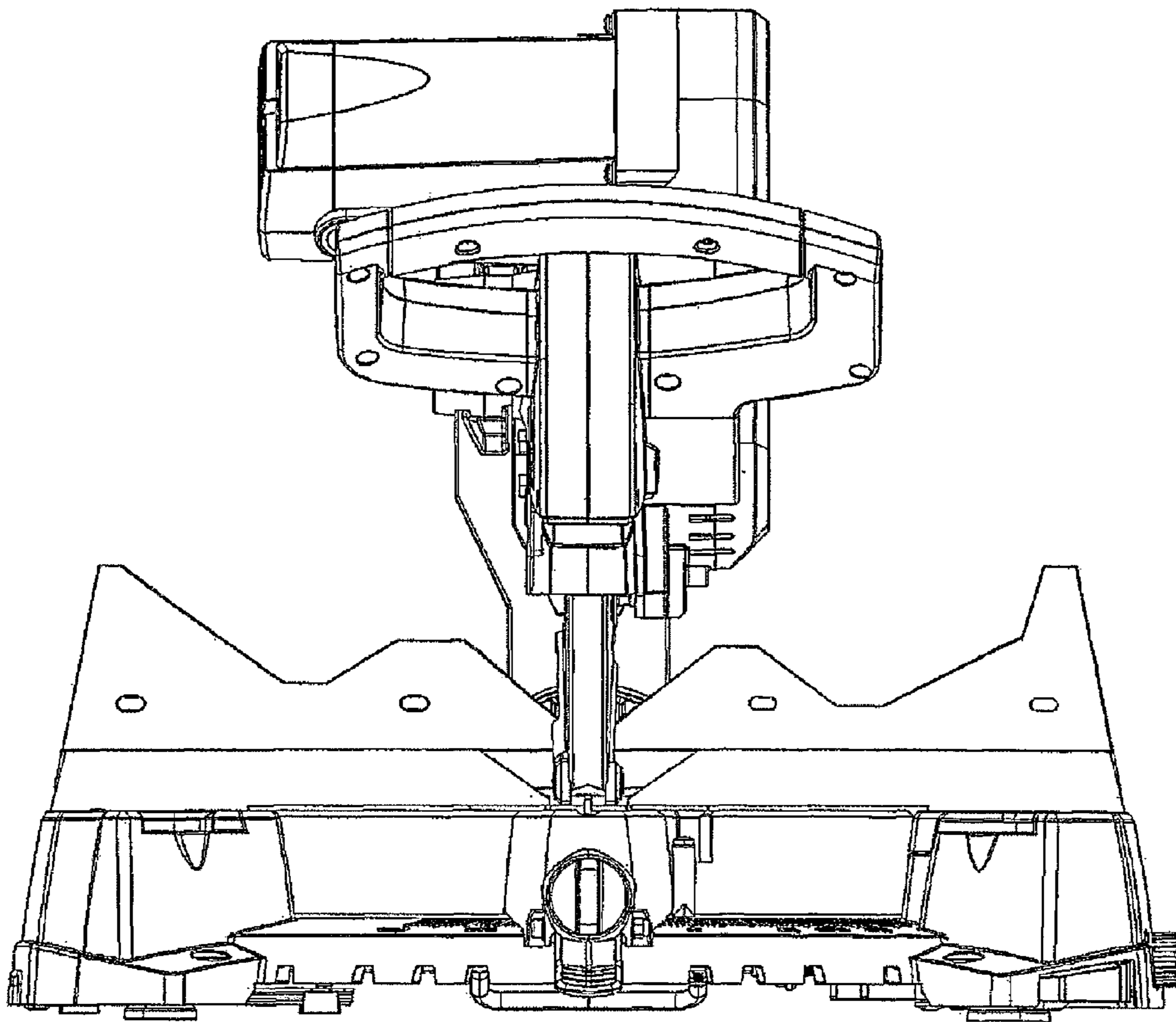


FIG. 5



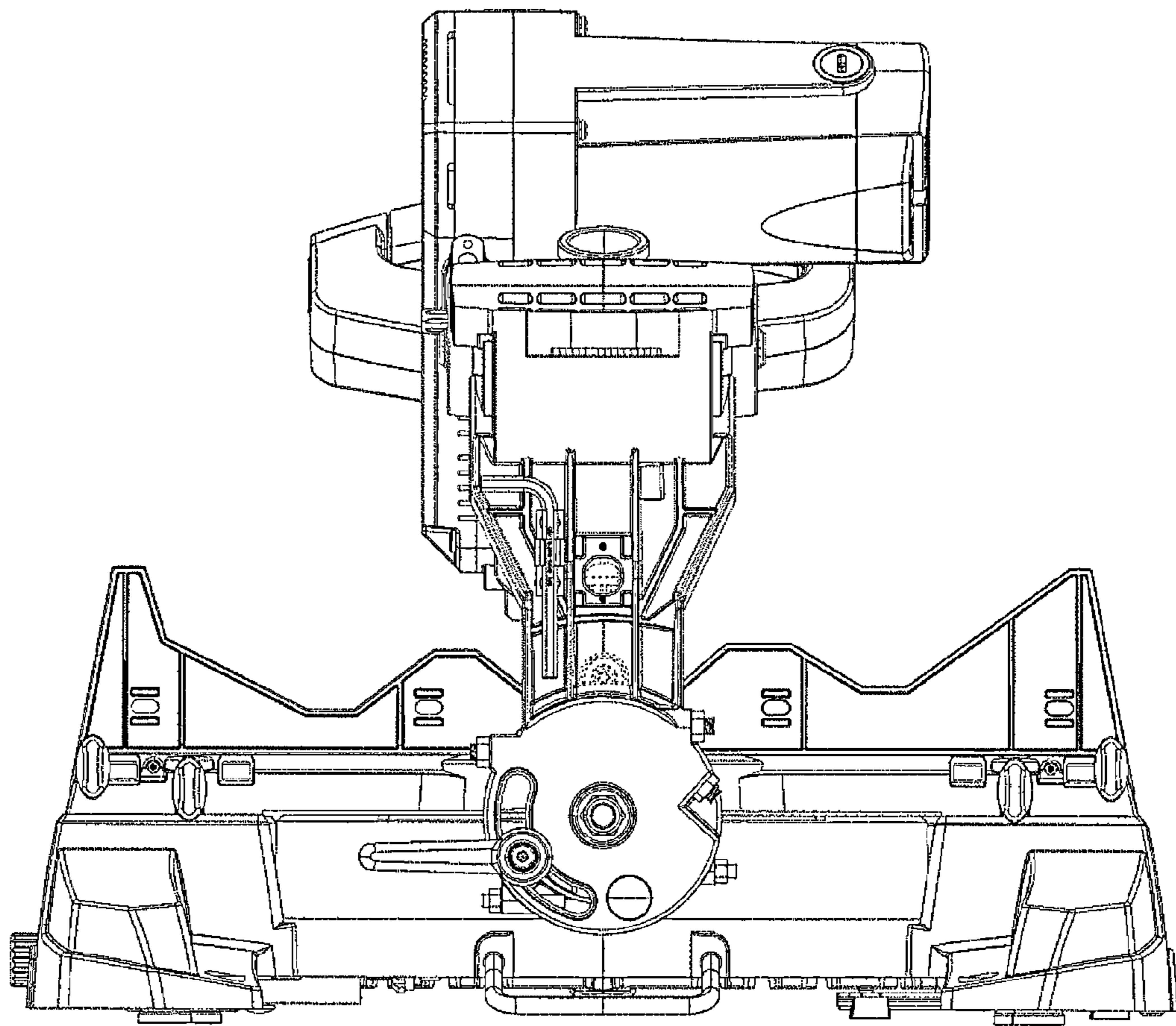


Fig. 6

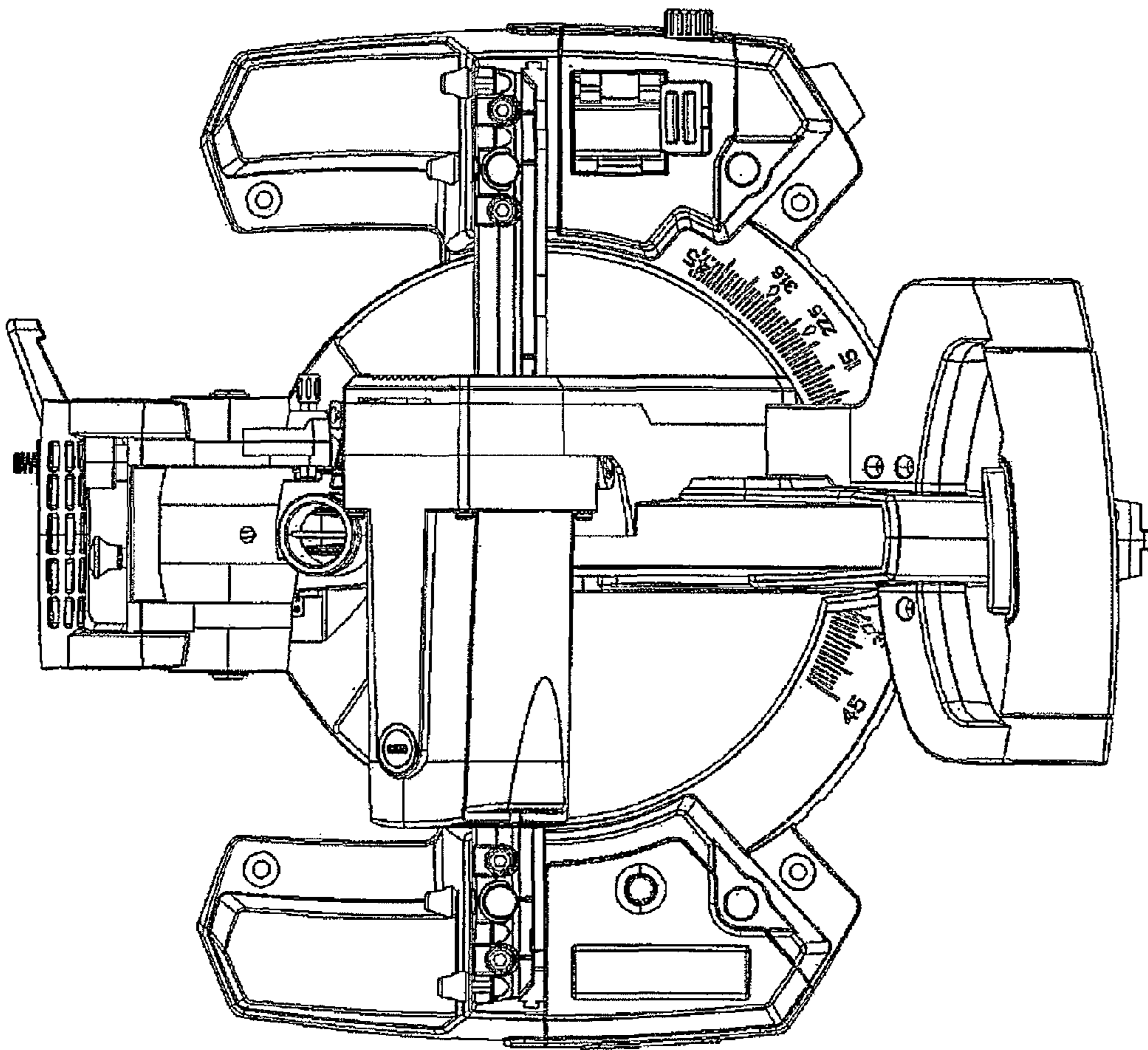


FIG. 7