



US00D686643S

(12) **United States Design Patent**
Kinoshita et al.

(10) **Patent No.:** **US D686,643 S**
(45) **Date of Patent:** **** Jul. 23, 2013**

(54) **CABIN OF A WORKING VEHICLE**

(71) Applicant: **Iseki & Co., Ltd.**, Matsuyama (JP)

(72) Inventors: **Masami Kinoshita**, Iyo-gun (JP); **Seiji Tanaka**, Iyo-gun (JP); **Itsuki Doi**, Iyo-gun (JP); **Koji Ochi**, Iyo-gun (JP)

(73) Assignee: **Iseki & Co., Ltd.**, Matsuyama-shi (JP)

(**) Term: **14 Years**

(21) Appl. No.: **29/436,759**

(22) Filed: **Nov. 8, 2012**

(30) **Foreign Application Priority Data**

May 10, 2012 (JP) 2012-010877

(51) **LOC (9) Cl.** **15-03**

(52) **U.S. Cl.**
USPC **D15/30**

(58) **Field of Classification Search**
USPC D15/10, 22-26, 28, 30, 31; 180/89.11,
180/89.12, 89.13, 89.19, 900; 296/190.01,
296/190.08, 210, 190, 202
See application file for complete search history.

(56) **References Cited**

U.S. PATENT DOCUMENTS

D531,647 S * 11/2006 Stender et al. D15/30
D541,825 S * 5/2007 Pettersson D15/30

D541,826 S * 5/2007 Brush et al. D15/30
D561,205 S * 2/2008 Pettersson D15/30
D579,028 S * 10/2008 VanDeVeer et al. D15/30
D603,881 S * 11/2009 Tamplain et al. D15/30
D605,207 S * 12/2009 Menges et al. D15/30
D660,881 S * 5/2012 Bohme et al. D15/30
D667,851 S * 9/2012 Warr D15/30

* cited by examiner

Primary Examiner — Mark Goodwin

(74) *Attorney, Agent, or Firm* — Oblon, Spivak, McClelland, Maier & Neustadt, L.L.P.

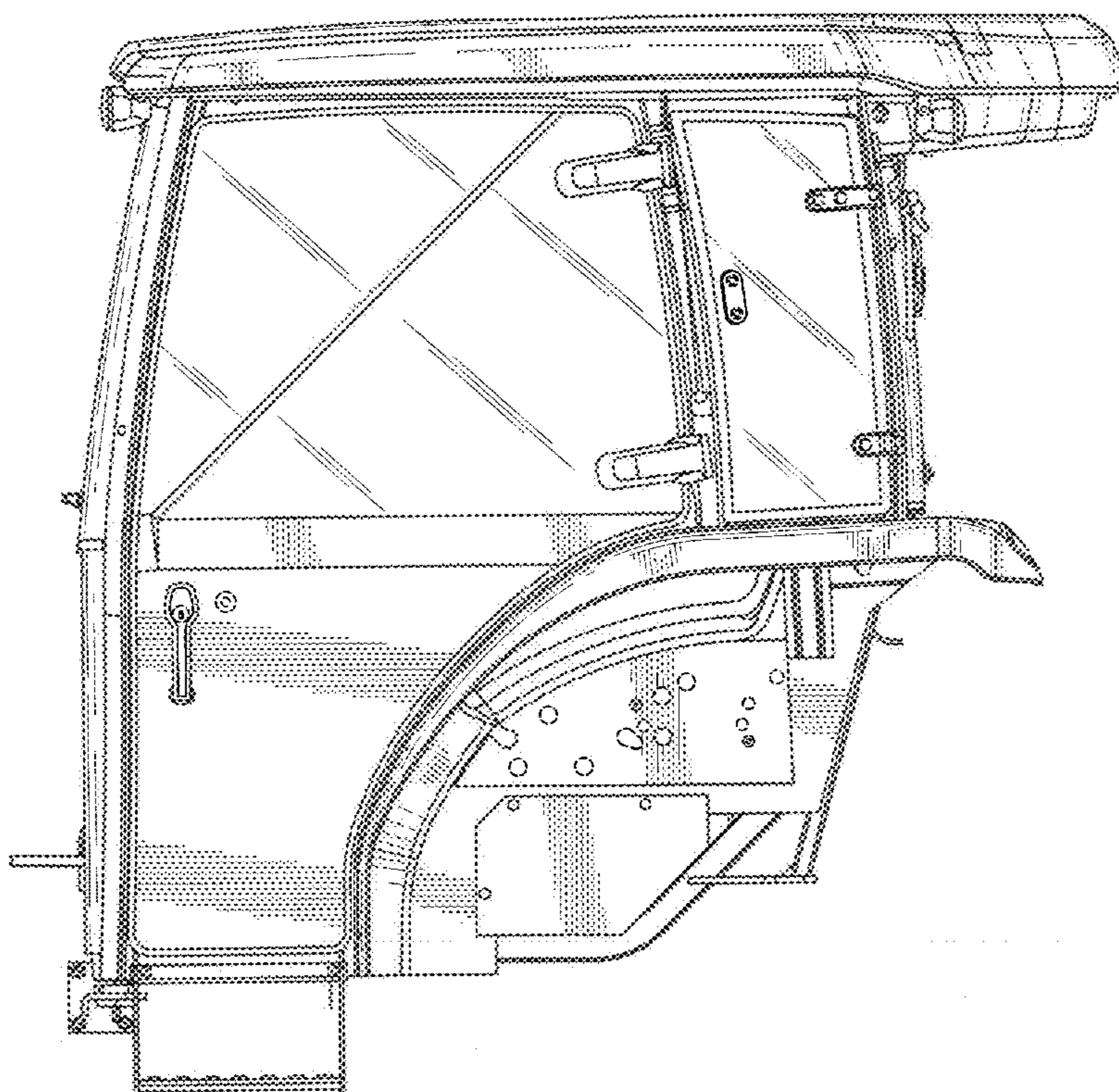
(57) **CLAIM**

The ornamental design for a cabin of a working vehicle, as shown and described.

DESCRIPTION

FIG. 1 is a front elevational view of a cabin of a working vehicle showing our new design;
FIG. 2 is a rear elevational view thereof;
FIG. 3 is a right side elevational view thereof;
FIG. 4 is a left side elevational view thereof;
FIG. 5 is a top plan view thereof; and,
FIG. 6 is a bottom plan view thereof.
The broken lines in the drawings depict environmental subject matter only and form no part of the claimed design.

1 Claim, 6 Drawing Sheets



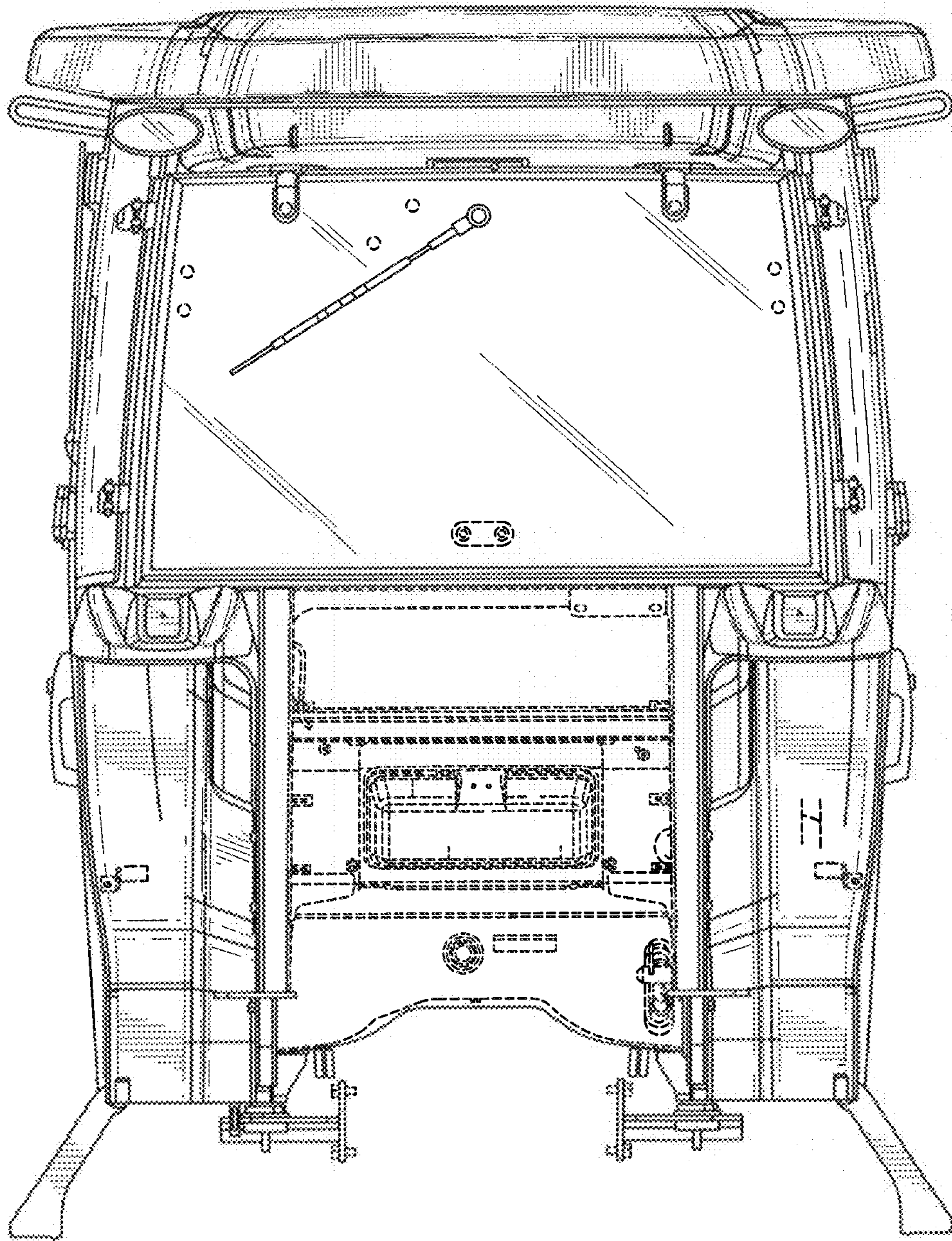


Fig. 1

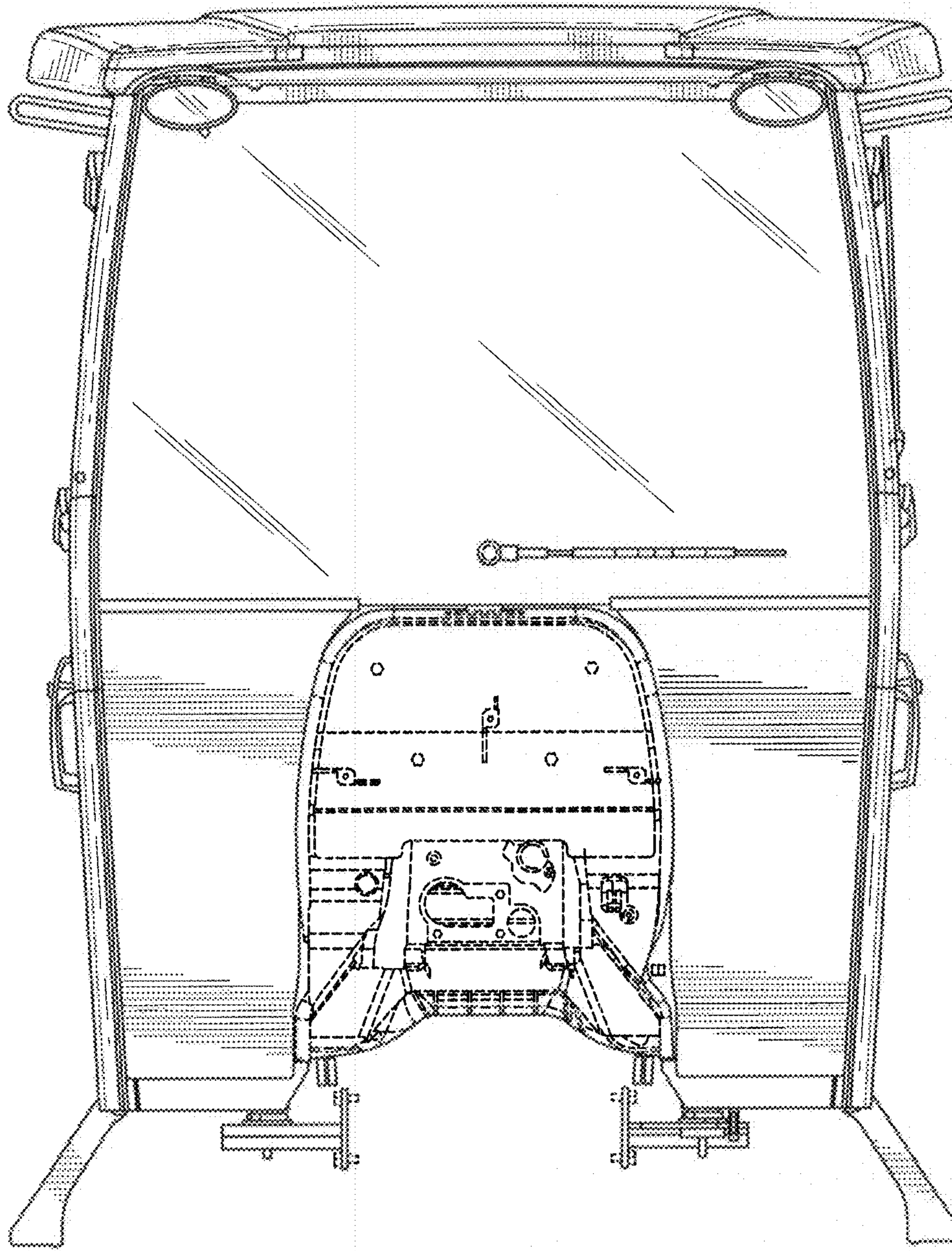


Fig. 2

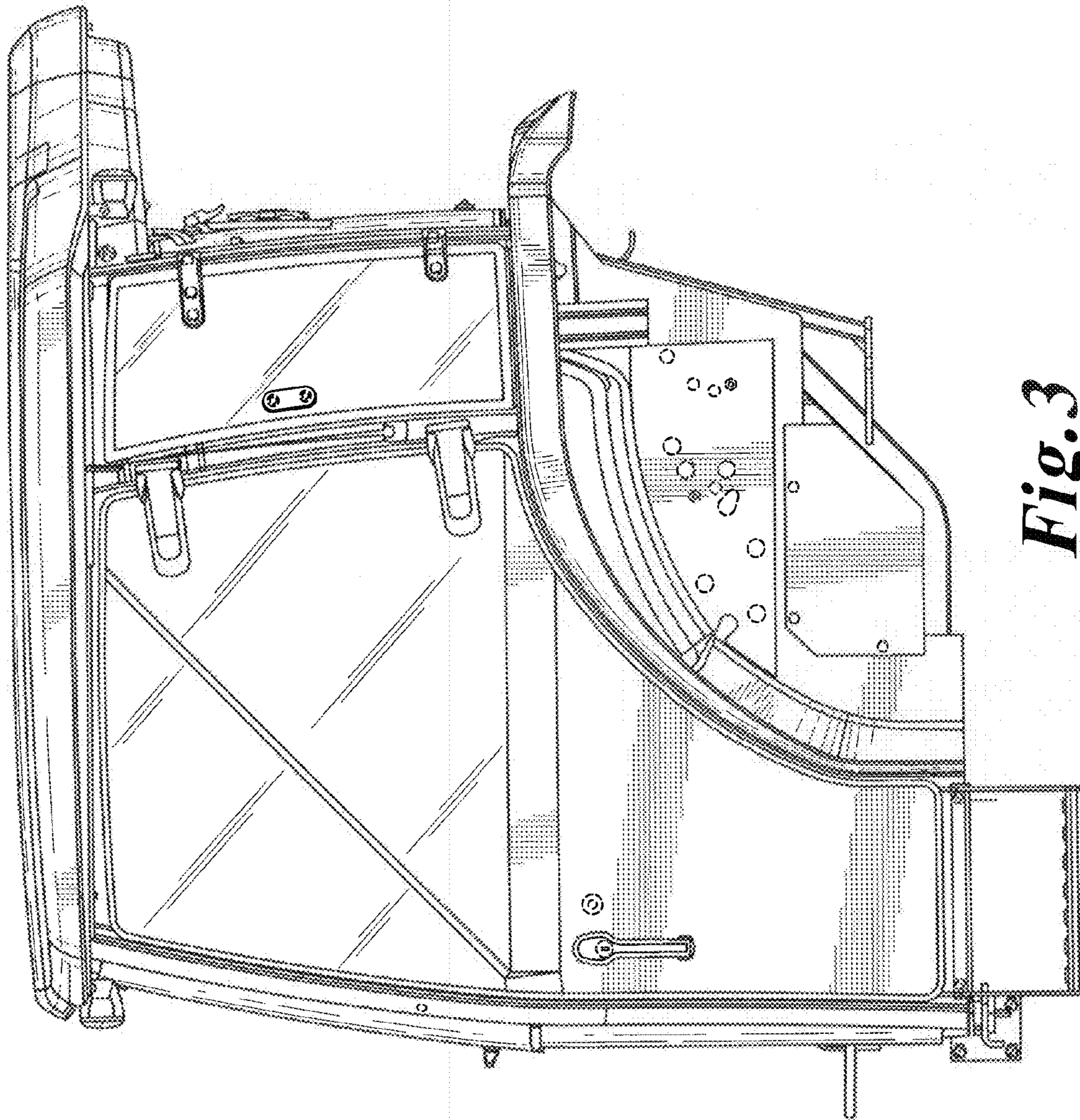


Fig. 3

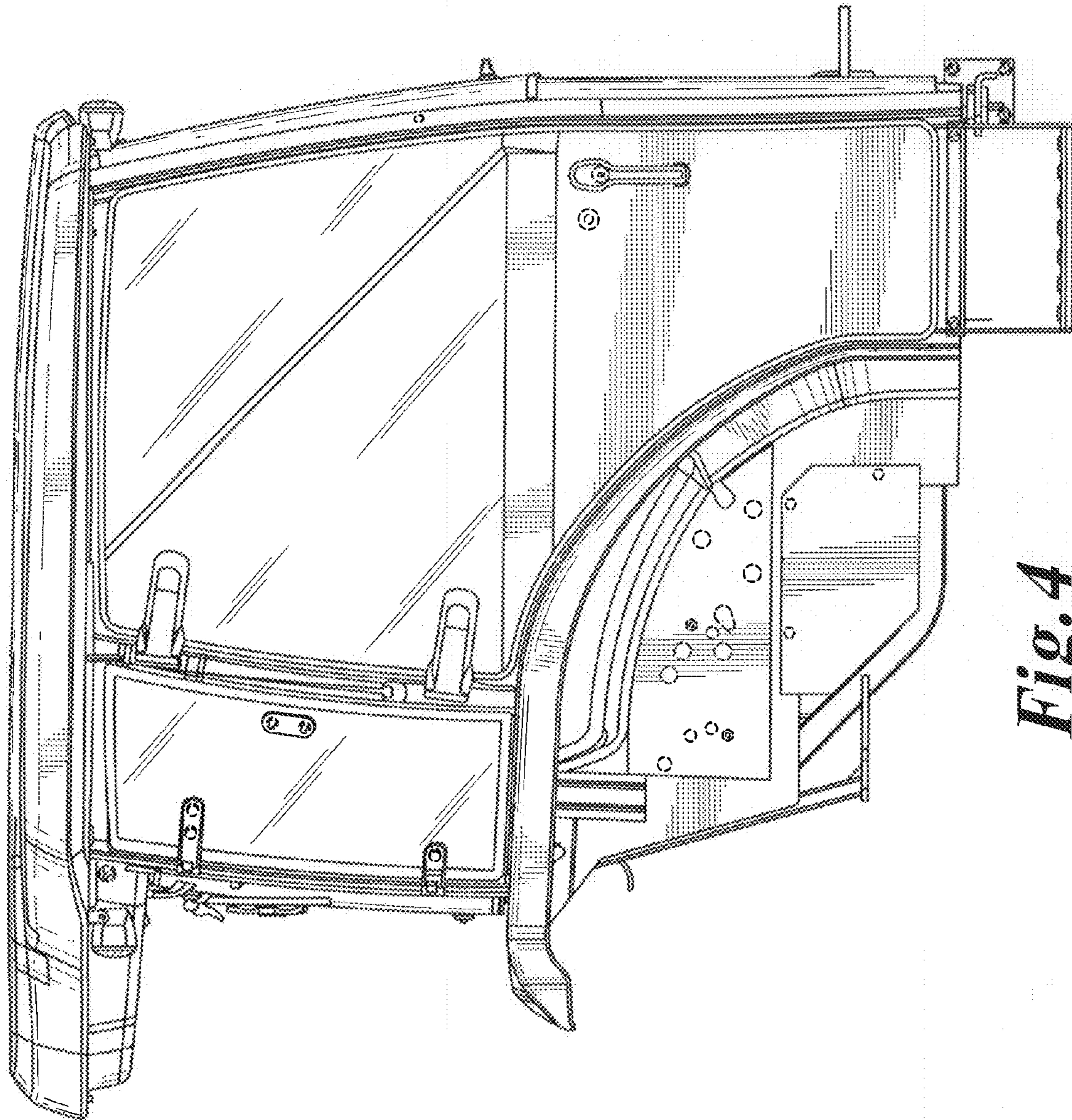


Fig. 4

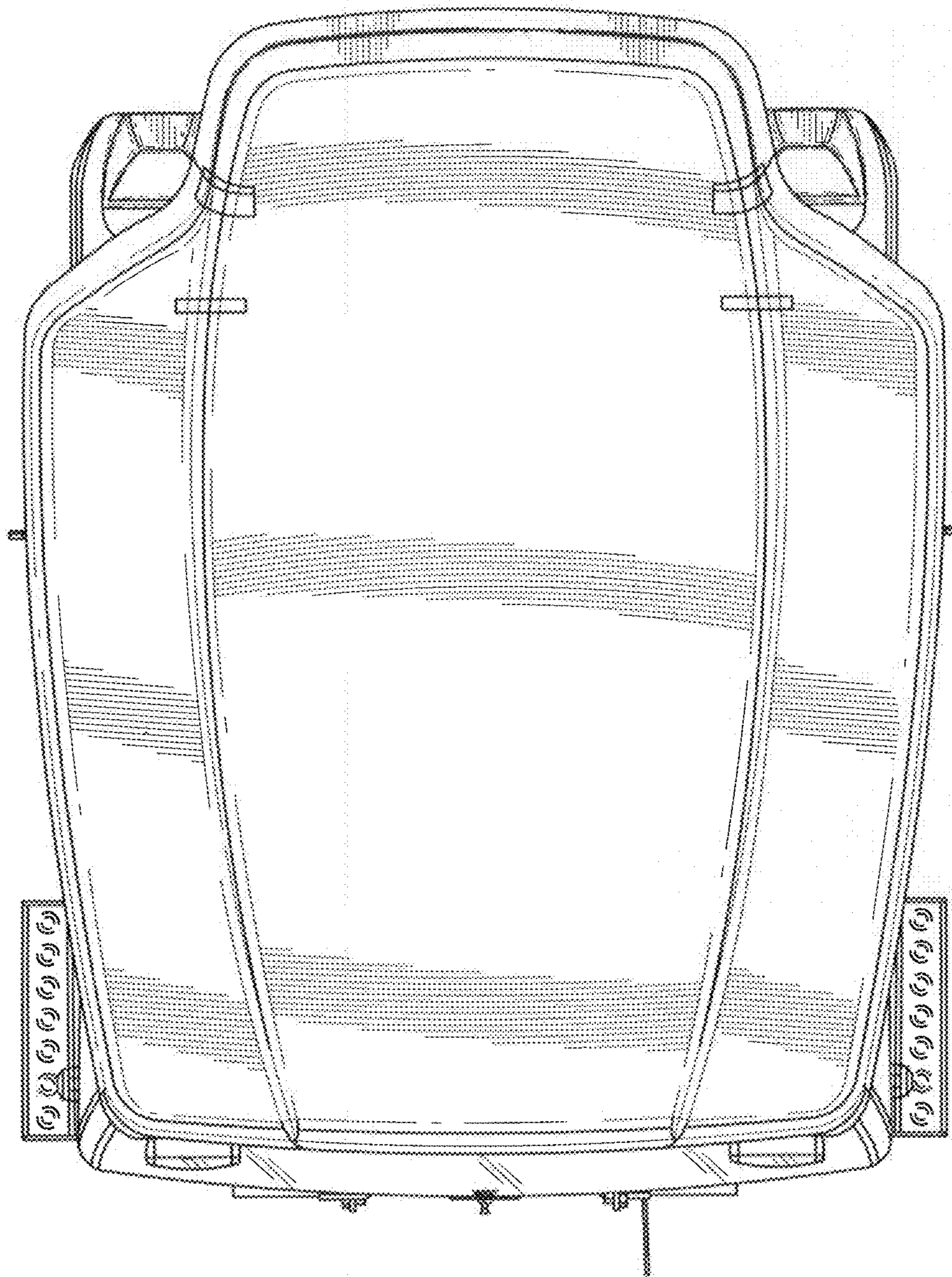


Fig. 5

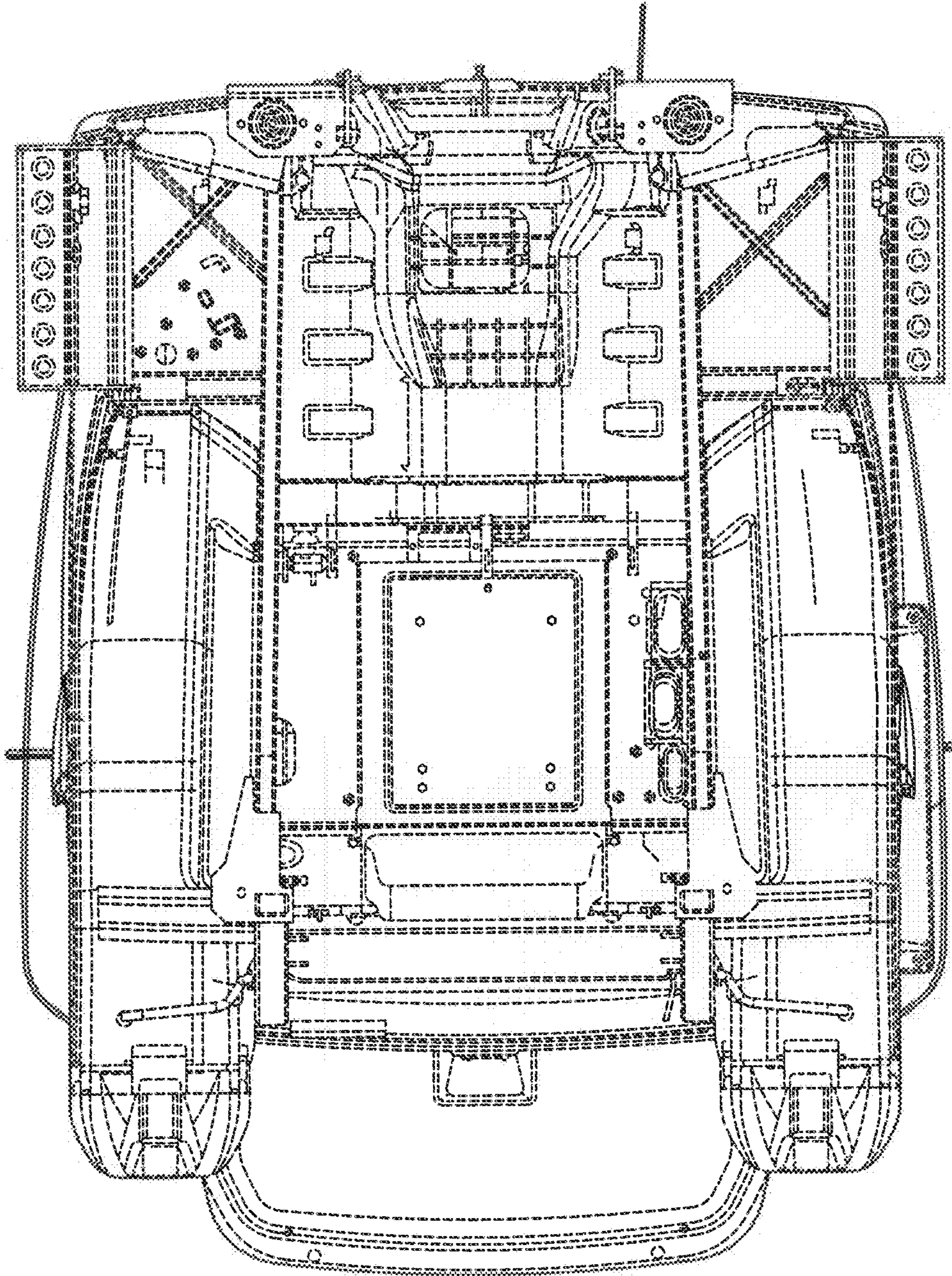


Fig. 6