



US00D686642S

(12) **United States Design Patent**
Urase et al.

(10) **Patent No.:** **US D686,642 S**
(45) **Date of Patent:** **** Jul. 23, 2013**

(54) **SWING POST FOR A CONSTRUCTION MACHINE**

(71) Applicant: **Hitachi Construction Machinery Co., Ltd.**, Tokyo (JP)

(72) Inventors: **Kohei Urase**, Konan (JP); **Katsuhiro Sasaki**, Koka (JP); **Makoto Motozu**, Moriyama (JP); **Yuuki Umizaki**, Koka (JP); **Seiichi Kihara**, Koka (JP)

(73) Assignee: **Hitachi Construction Machinery Co., Ltd.**, Tokyo (JP)

(**) Term: **14 Years**

(21) Appl. No.: **29/436,713**

(22) Filed: **Nov. 8, 2012**

(30) **Foreign Application Priority Data**

May 10, 2012 (JP) 2012-010867

(51) **LOC (9) Cl.** **15-03**

(52) **U.S. Cl.**
USPC **D15/28; D15/32**

(58) **Field of Classification Search**
USPC D15/28, 32; 414/687, 723; 212/232, 212/300; 403/92, 316, 330, 332, 353
See application file for complete search history.

(56) **References Cited**

U.S. PATENT DOCUMENTS

D272,069	S	*	1/1984	Larsson	D15/28
D272,070	S	*	1/1984	Larsson	D15/28
D272,250	S	*	1/1984	Larsson	D15/28
5,606,809	A	*	3/1997	Allen	37/443
5,967,737	A	*	10/1999	Kraske et al.	414/694

5,975,833	A	*	11/1999	Yamada et al.	414/687
D455,762	S	*	4/2002	Kaczmarek et al.	D15/28
D458,942	S	*	6/2002	Balemi	D15/28
7,338,080	B2	*	3/2008	Urase et al.	280/781
7,338,081	B2	*	3/2008	Urase et al.	280/781
D593,848	S	*	6/2009	Balemi et al.	D8/382
D593,849	S	*	6/2009	Balemi et al.	D8/382
D594,479	S	*	6/2009	Greuel et al.	D15/28
8,024,875	B2	*	9/2011	Wetzel et al.	37/468
D646,302	S	*	10/2011	Lanting et al.	D15/28
D653,679	S	*	2/2012	Attwood et al.	D15/21
2005/0102866	A1	*	5/2005	Sewell et al.	37/411
2005/0167967	A1	*	8/2005	Urase et al.	280/781
2007/0134081	A1	*	6/2007	Seabolt	414/723
2012/0186889	A1	*	7/2012	Yoshida et al.	180/65.265
2012/0232763	A1	*	9/2012	Mizuochi et al.	701/50

FOREIGN PATENT DOCUMENTS

JP D1199147 S 3/2004

* cited by examiner

Primary Examiner — Mark Goodwin

(74) *Attorney, Agent, or Firm* — Antonelli, Terry, Stout & Kraus, LLP.

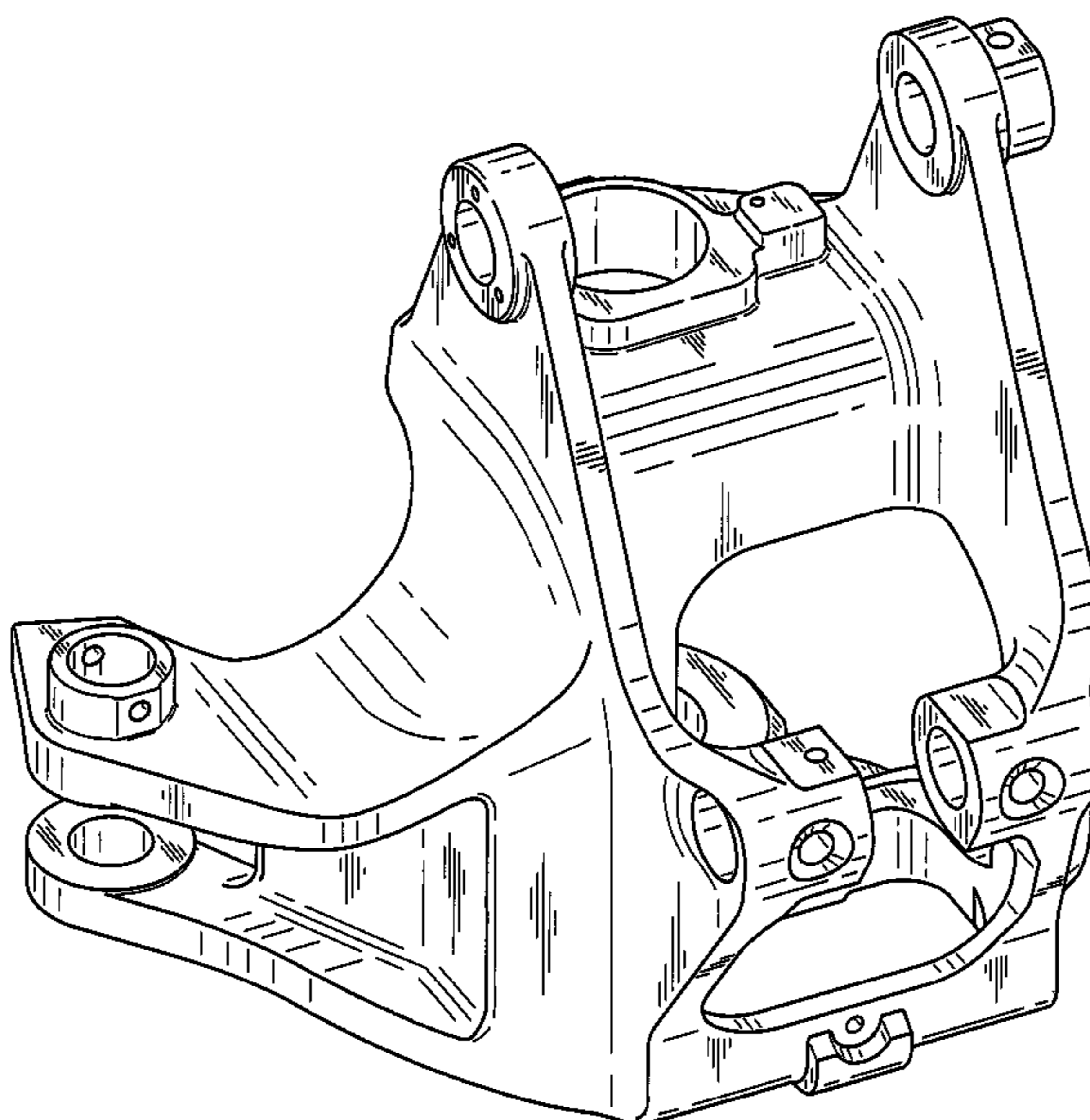
(57) **CLAIM**

We claim the ornamental design for a swing post for a construction machine, as shown.

DESCRIPTION

FIG. 1 is a front, top and left side perspective view of a swing post for a construction machine showing our new design; FIG. 2 is a front elevational view thereof; FIG. 3 is a rear elevational view thereof; FIG. 4 is a left side elevational view thereof; FIG. 5 is a right side elevational view thereof; FIG. 6 is a top plan view thereof; and, FIG. 7 is a bottom plan view thereof.

1 Claim, 7 Drawing Sheets



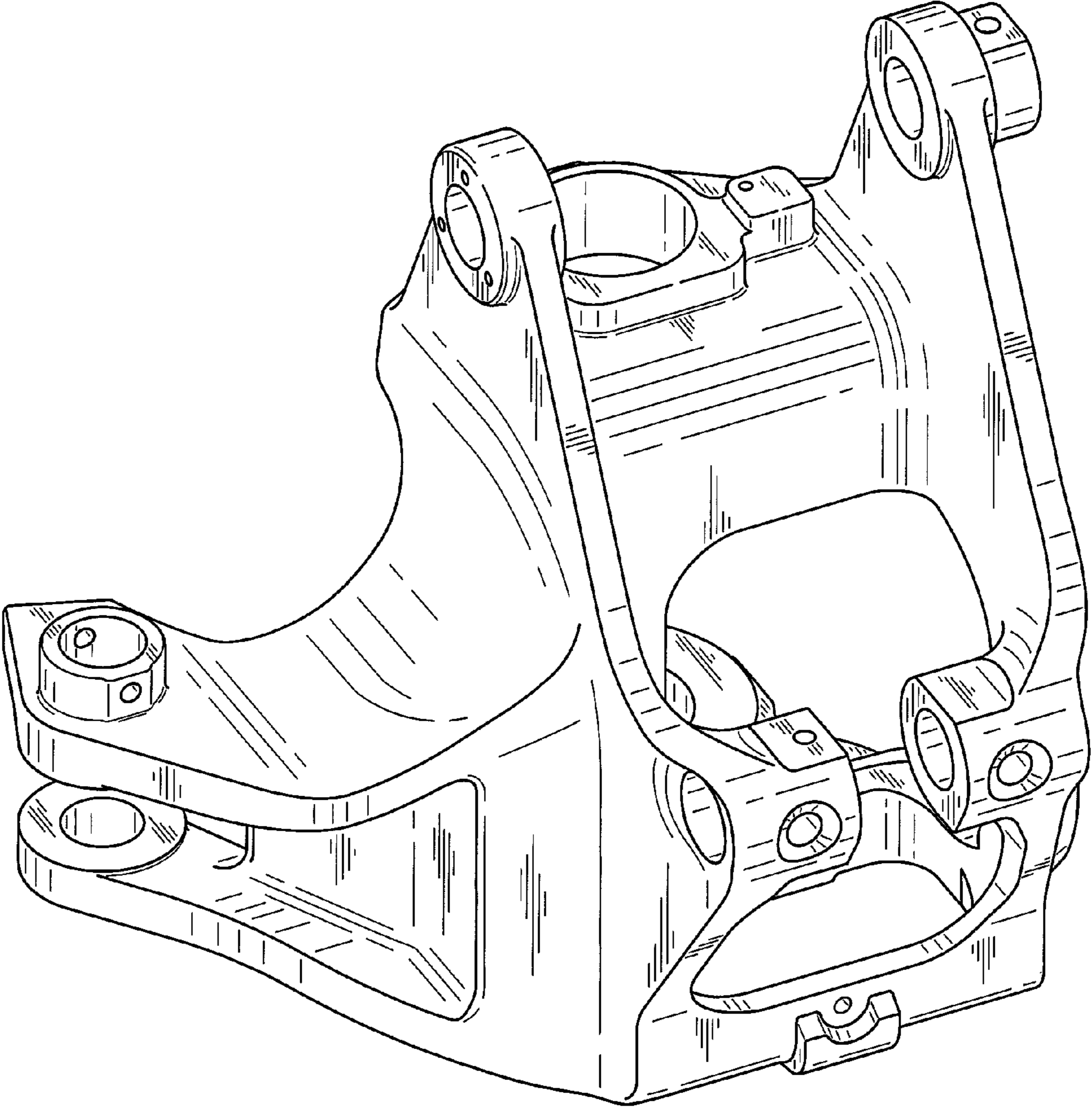


FIG. 1

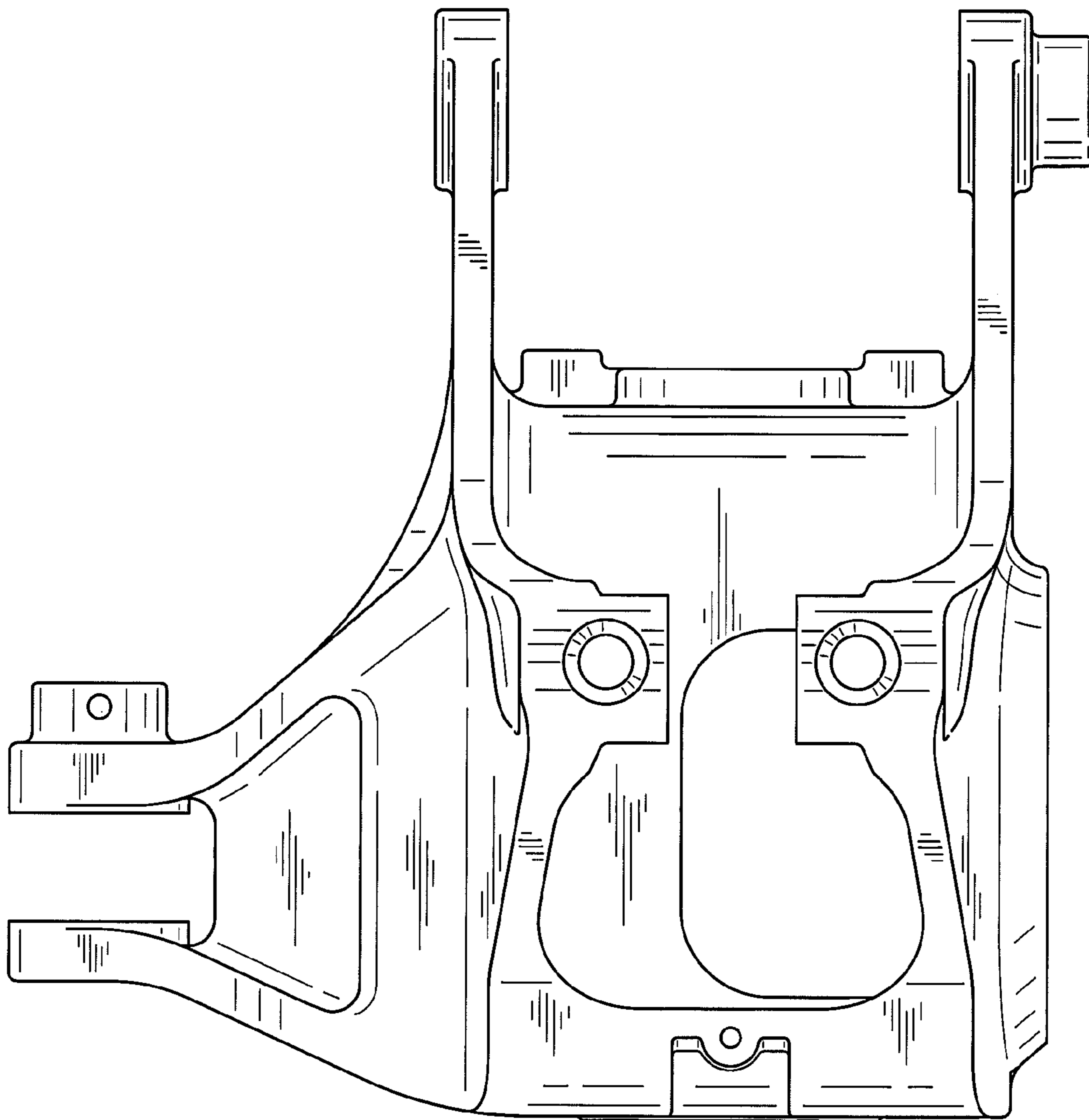


FIG. 2

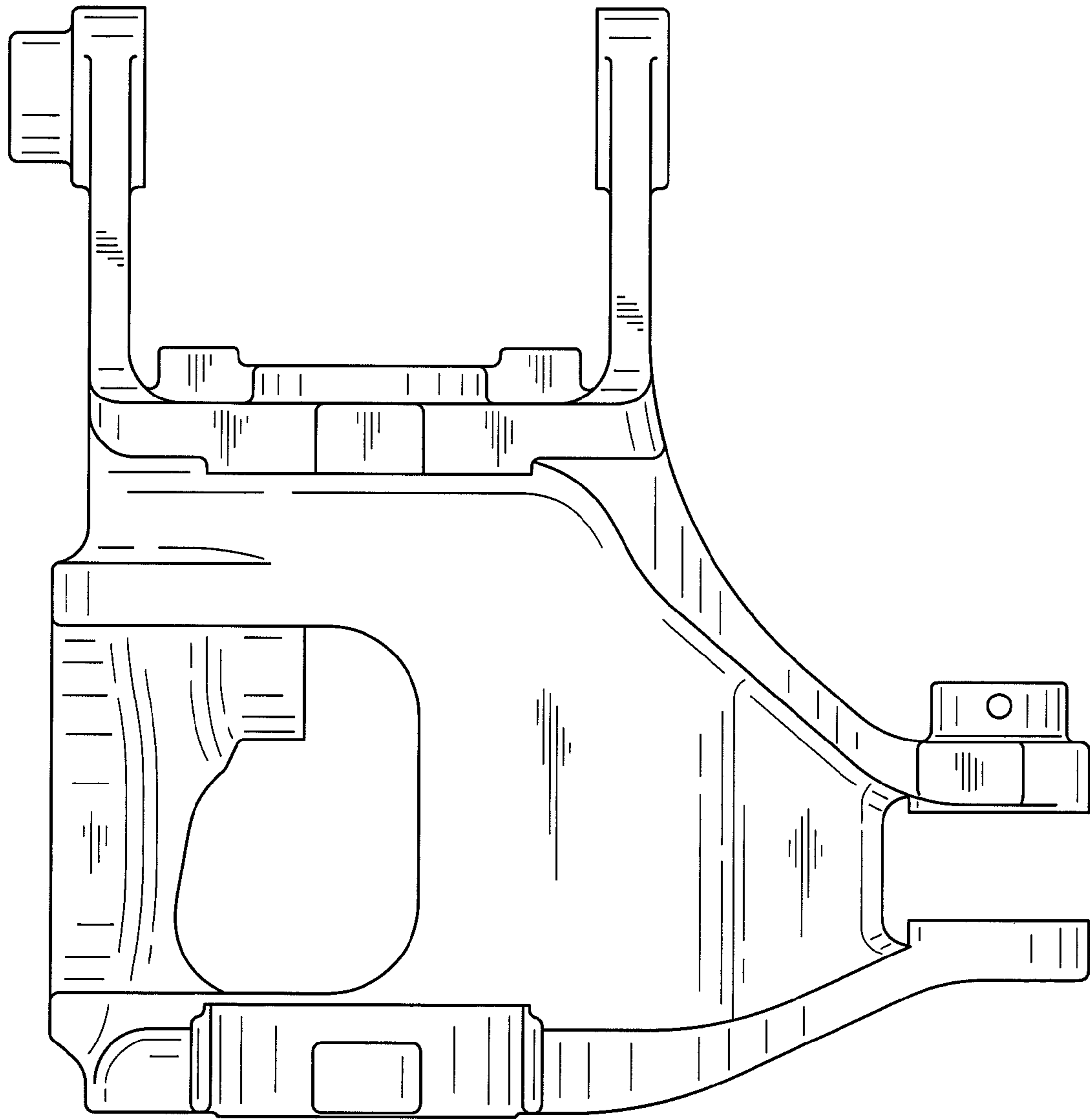


FIG. 3

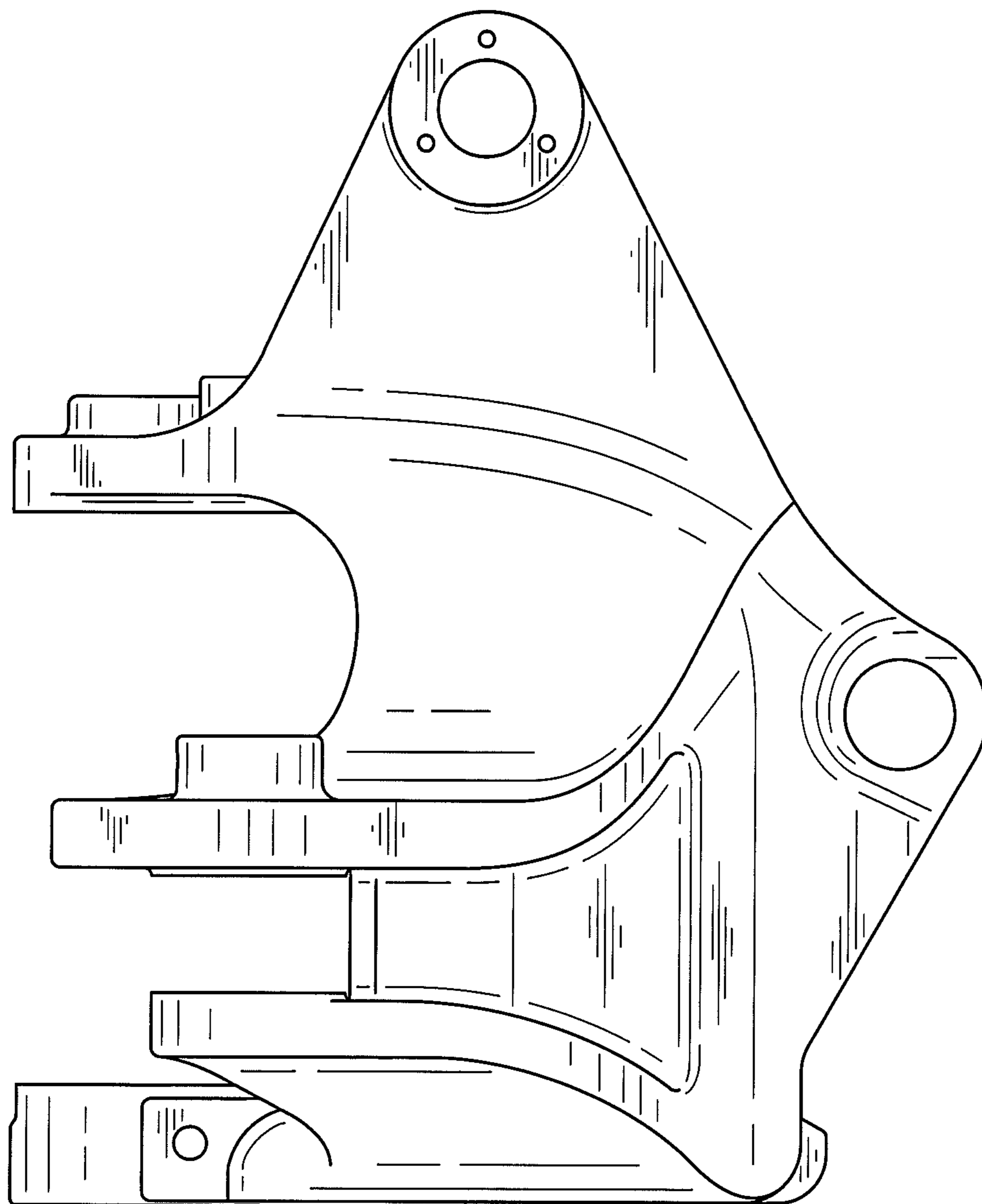


FIG. 4

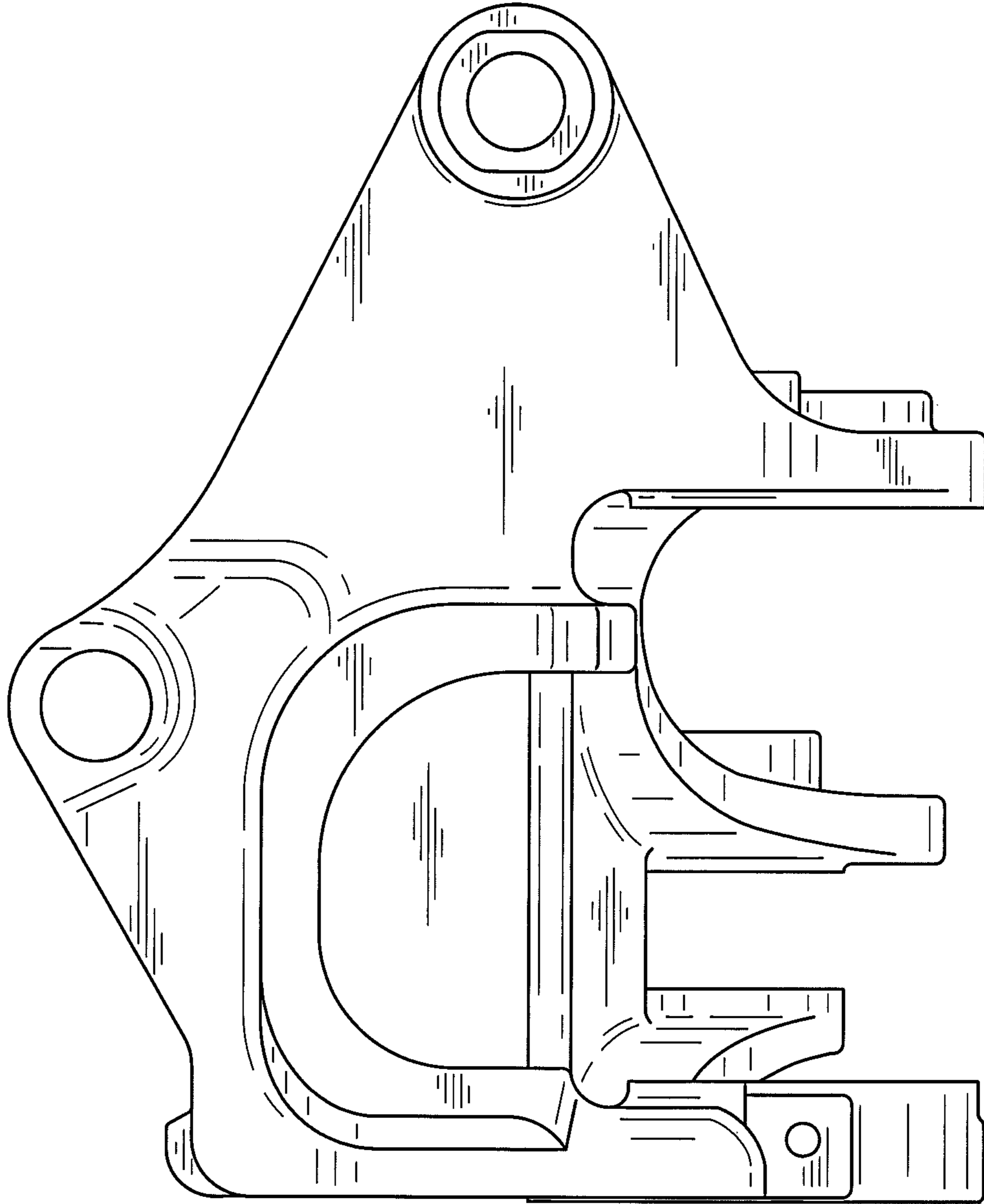


FIG. 5

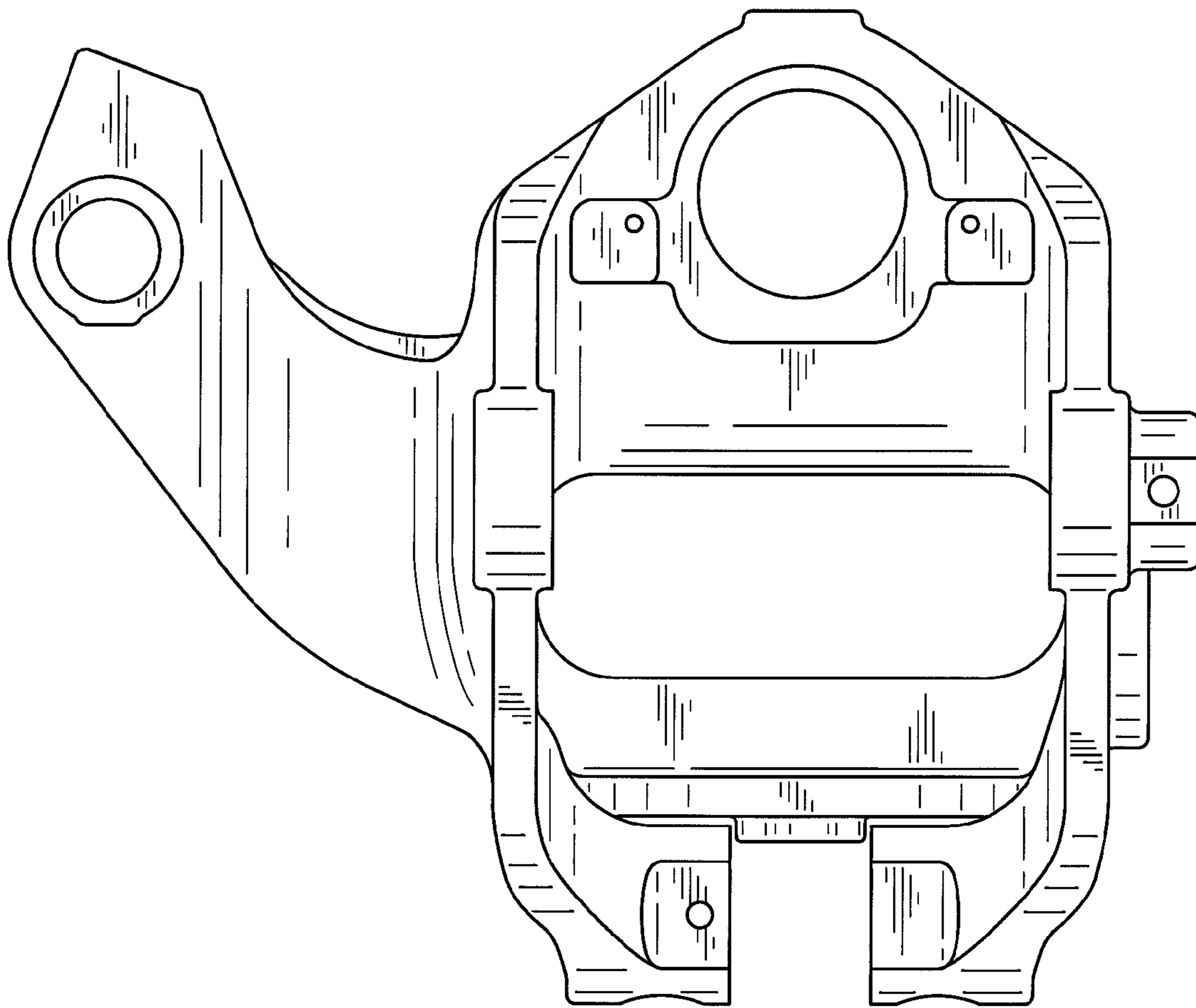


FIG. 6

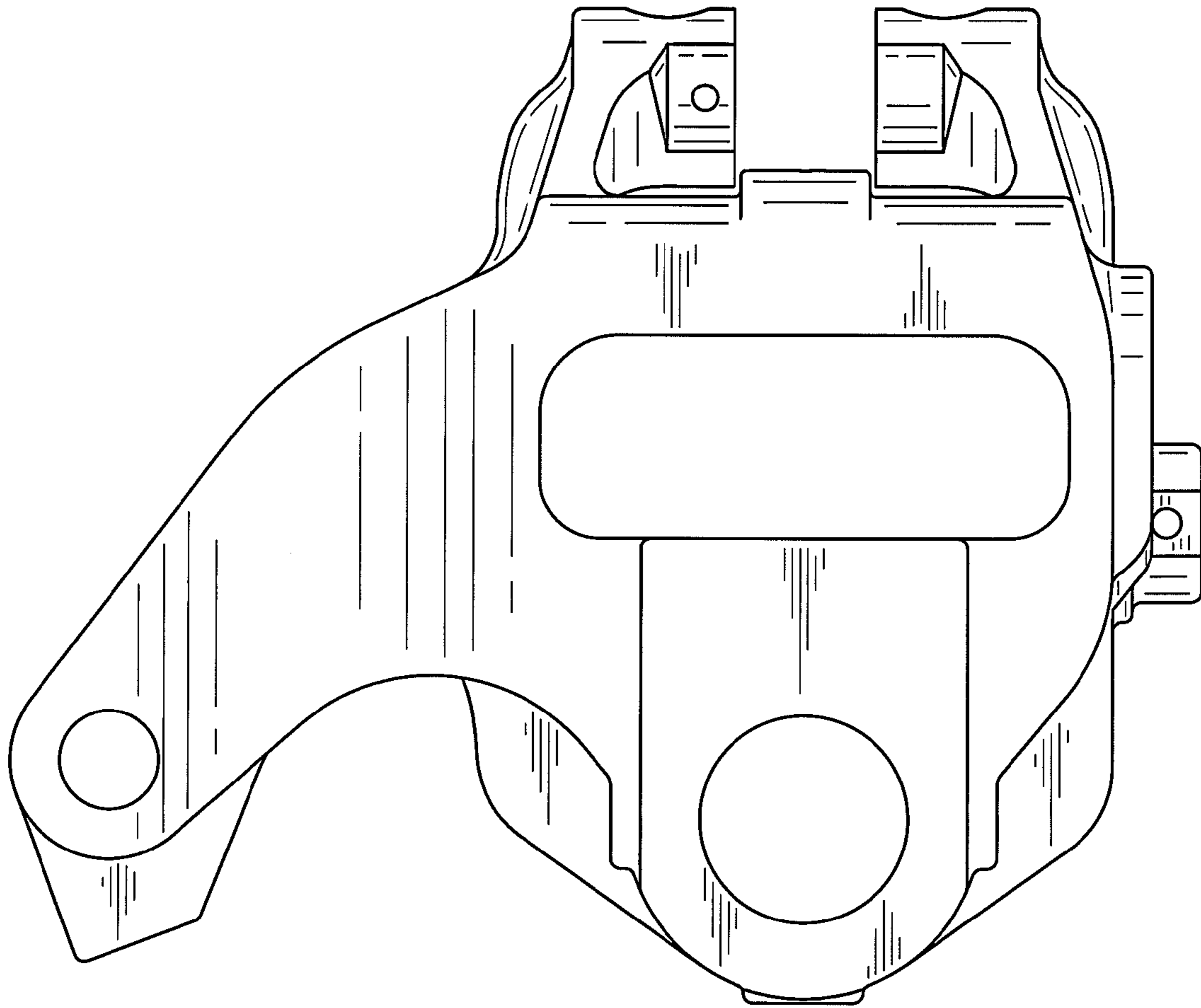


FIG. 7