



US00D686639S

(12) **United States Design Patent**
Dooley

(10) **Patent No.:** **US D686,639 S**
(45) **Date of Patent:** **** Jul. 23, 2013**

(54) **BICYCLIST'S COMBINATION FLASHLIGHT AND TOOLKIT**

(76) Inventor: **Leonard L. Dooley**, Playa del Rey, CA (US)

(**) Term: **14 Years**

(21) Appl. No.: **29/430,559**

(22) Filed: **Aug. 27, 2012**

(51) **LOC (9) Cl.** **15-02**

(52) **U.S. Cl.**
USPC **D15/7**

(58) **Field of Classification Search**

USPC D15/7-9; D23/231, 232; 417/410.1, 417/359, 415-416, 234, 321, 265, 405, 53; D24/107, 108, 111; 81/2; D8/17, 105
See application file for complete search history.

(56) **References Cited**

U.S. PATENT DOCUMENTS

D257,383 S *	10/1980	Davenport	D22/149
D358,397 S *	5/1995	Phillips et al.	D15/7
D392,650 S *	3/1998	Zarnowitz	D15/7
D434,622 S *	12/2000	Jaynes	D8/17
D584,320 S *	1/2009	Huang	D15/7
D588,161 S *	3/2009	Daniel	D15/7
D609,985 S *	2/2010	DeBow	D8/17

* cited by examiner

Primary Examiner — Ralf Seifert

(74) *Attorney, Agent, or Firm* — QuickPatents; Kevin Prince

(57) **CLAIM**

I claim the ornamental design for a bicyclist's combination flashlight and toolkit, as shown and described.

DESCRIPTION

FIG. 1 is a perspective view of a bicyclist's combination flashlight and toolkit, showing my new design with an air pump of the design in an extended configuration, a first tool engaged with the air pump, and a second tool thereof omitted for clarity of illustration;

FIG. 2 is an exploded perspective view thereof, the air pump in a retracted position;

FIG. 3 is a front elevational view of the air pump, the first and second tool omitted for clarity of illustration;

FIG. 4 is a rear elevational view of FIG. 3;

FIG. 5 is a left-side elevational view of FIG. 3, the right-side elevational view being a mirror image thereof;

FIG. 6 is a top plan view of FIG. 3;

FIG. 7 is a bottom plan view of FIG. 3;

FIG. 8 is a left-side elevational view of the first tool thereof, the air pump and second tool omitted for clarity of illustration;

FIG. 9 is a top plan view of FIG. 8;

FIG. 10 is a bottom plan view of FIG. 8;

FIG. 11 is a right-side elevational view of FIG. 8;

FIG. 12 is a front elevational view of FIG. 8; and

FIG. 13 is a rear elevational view of FIG. 8.

FIG. 14 is a left-side elevational view of the second tool thereof, the air pump and first tool omitted for clarity of illustration, the right-side elevational view being a mirror image thereof;

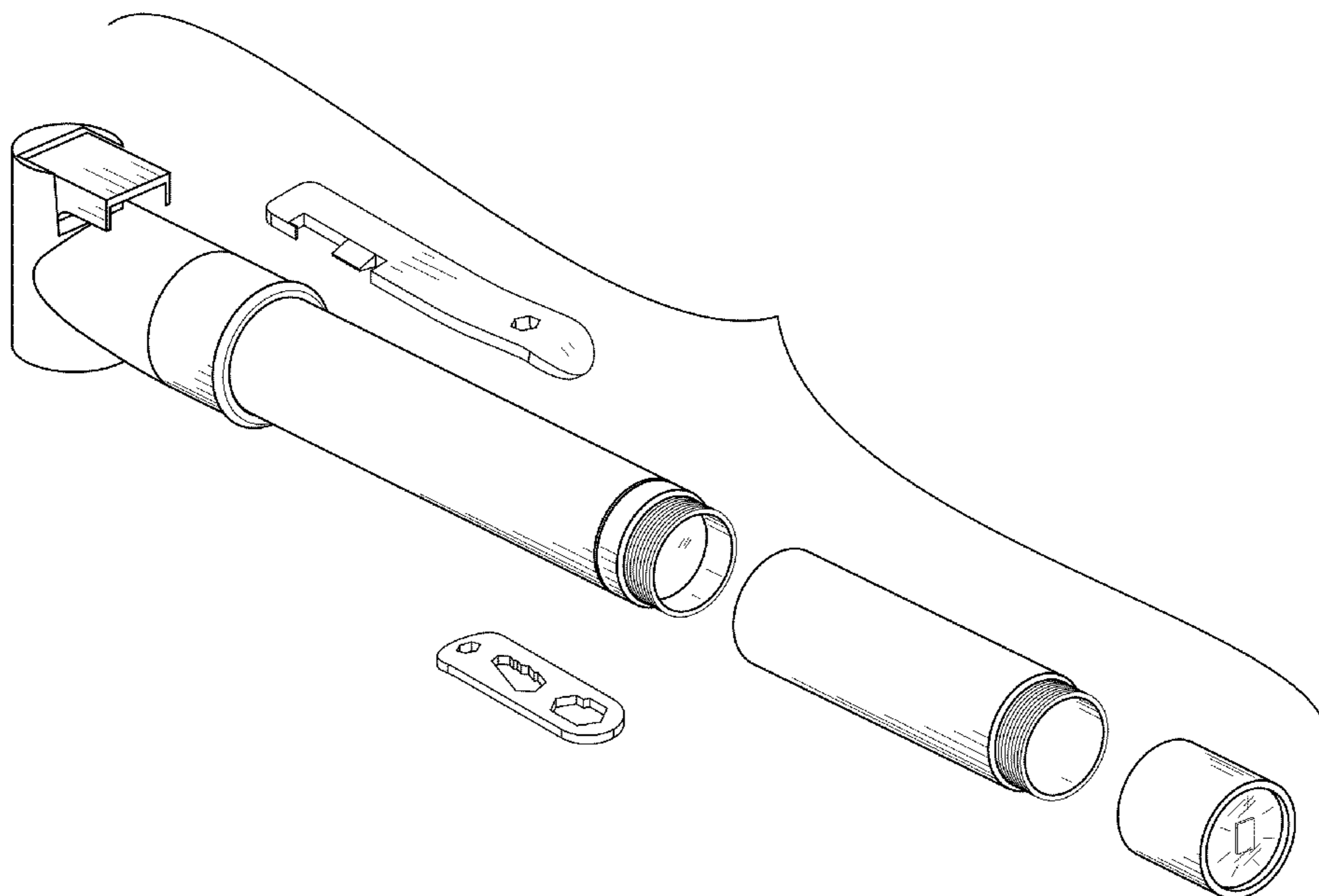
FIG. 15 is a top plan view of FIG. 14;

FIG. 16 is a bottom plan view of FIG. 14;

FIG. 17 is a front elevational view of FIG. 14; and,

FIG. 18 is a rear elevational view of FIG. 14.

1 Claim, 4 Drawing Sheets



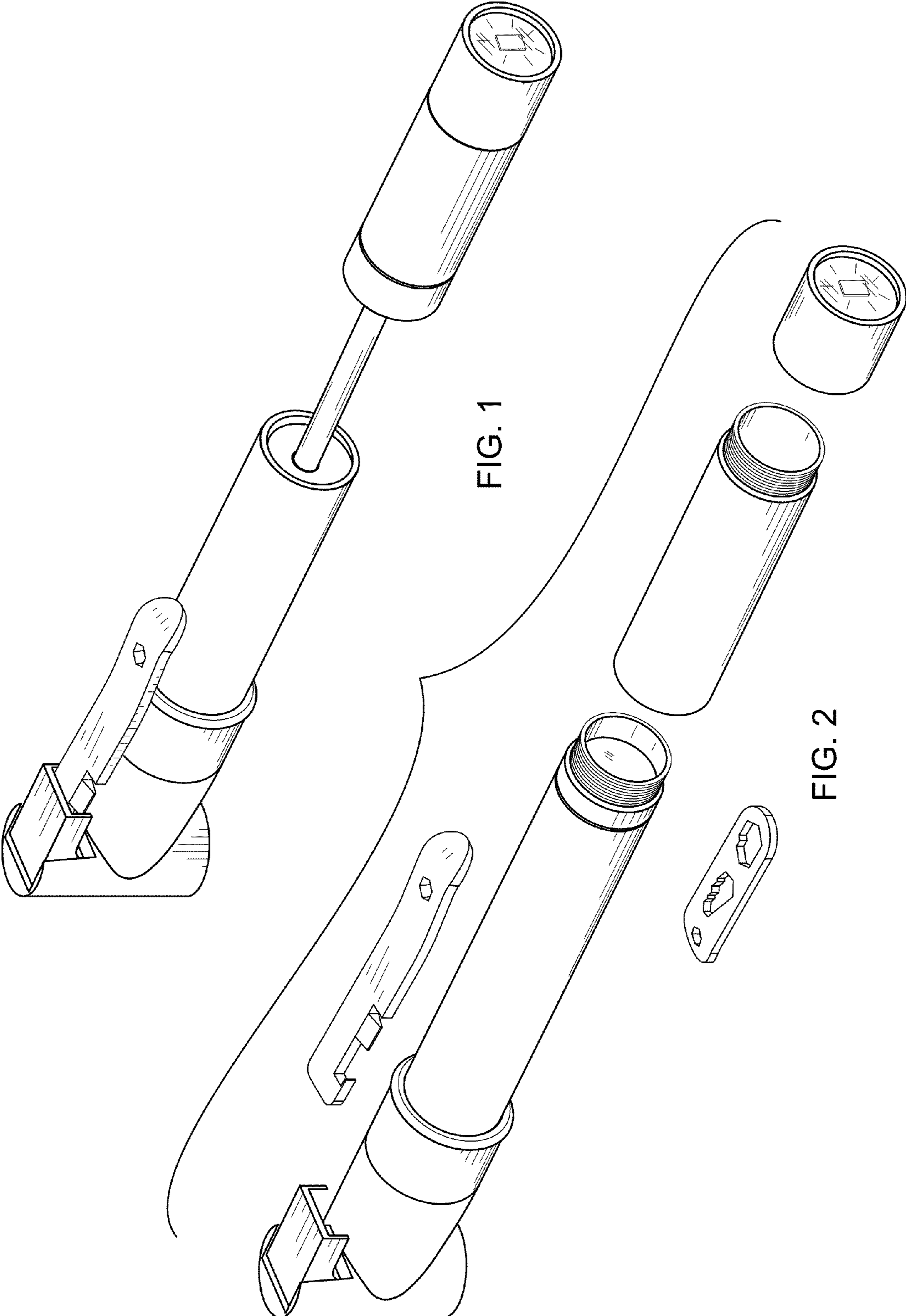


FIG. 1

FIG. 2

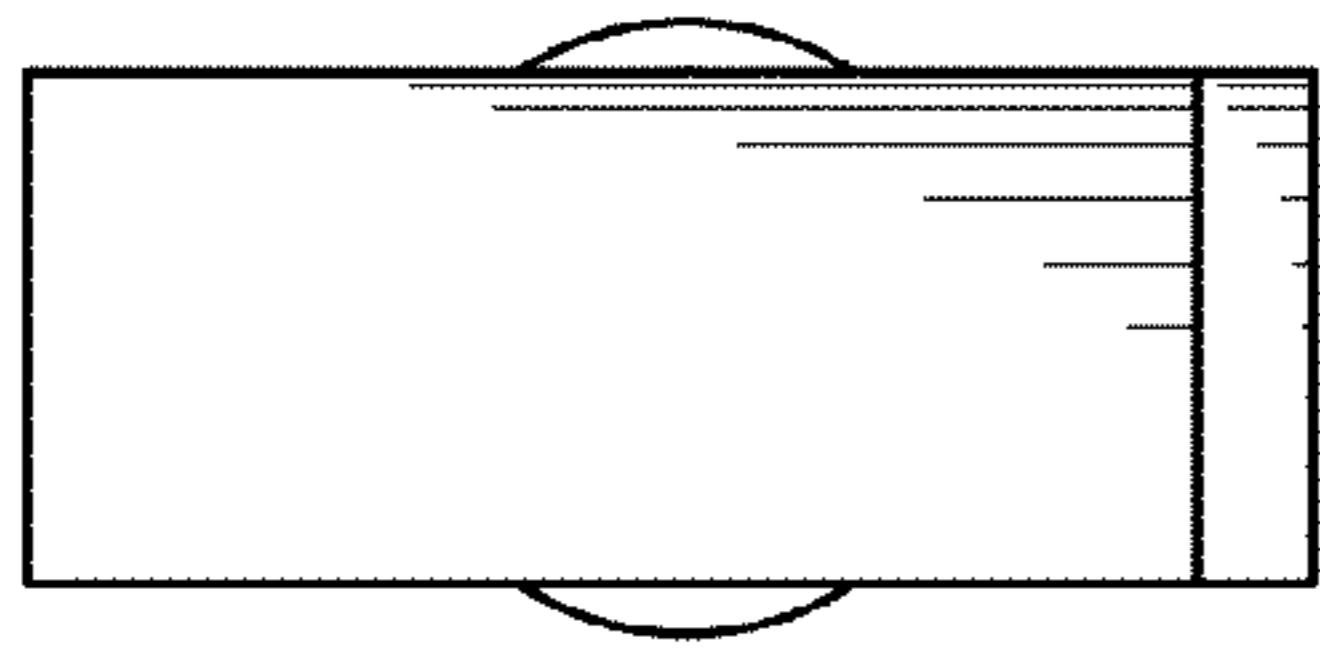


FIG. 4

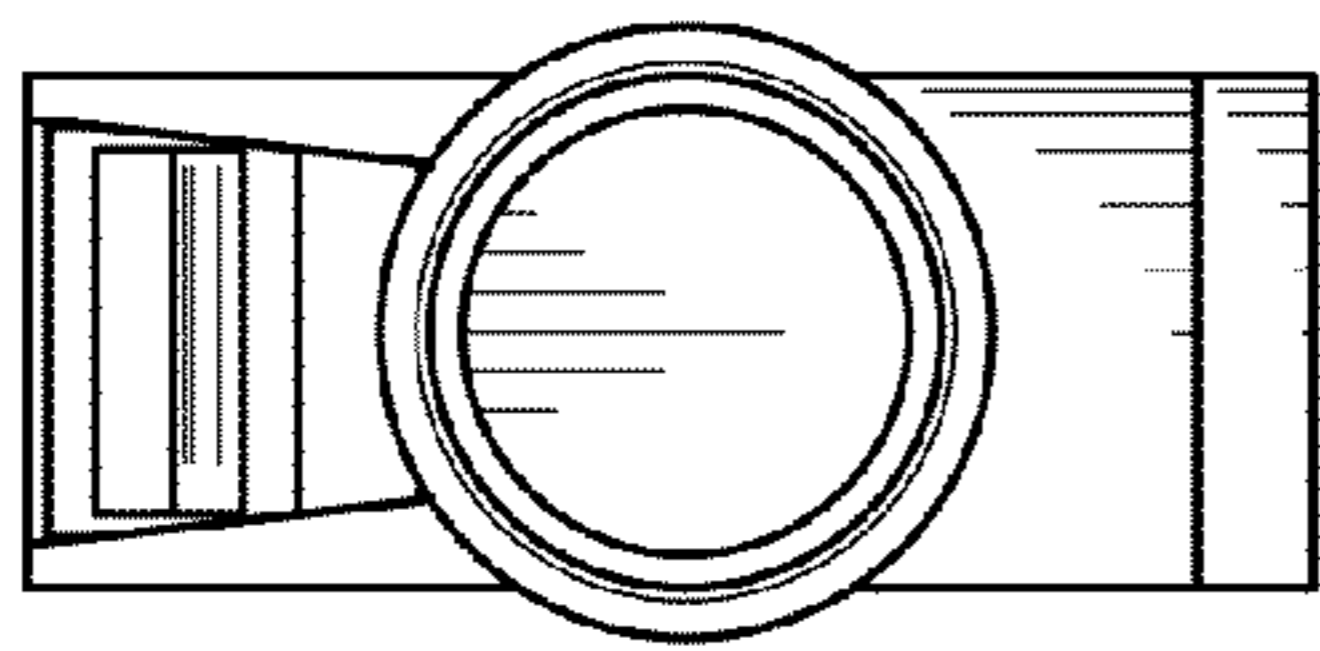


FIG. 3

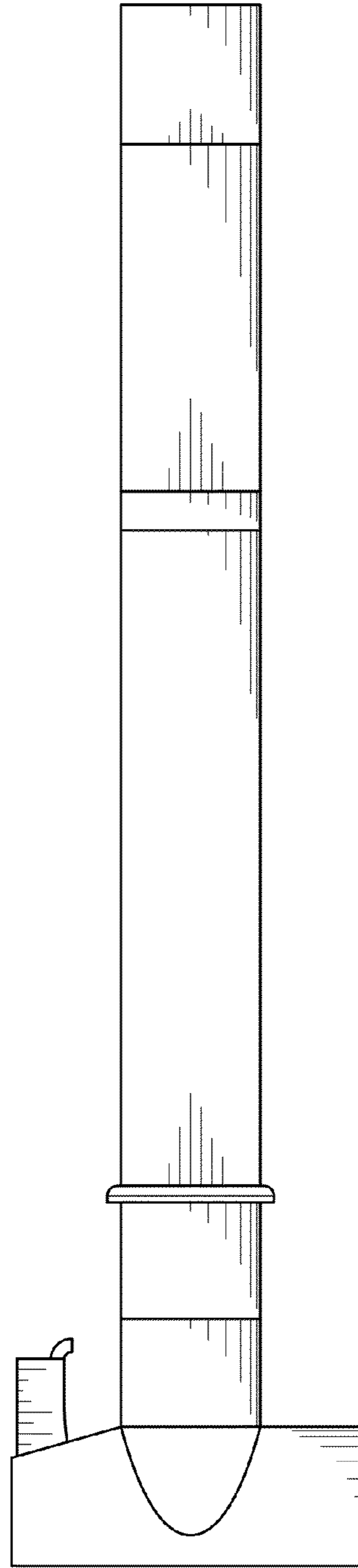


FIG. 5

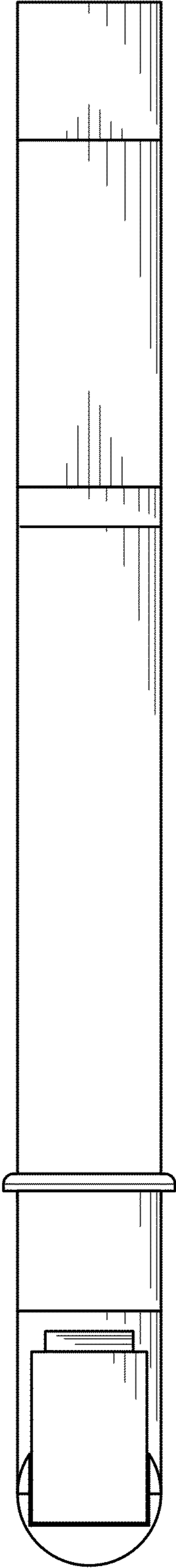


FIG. 6

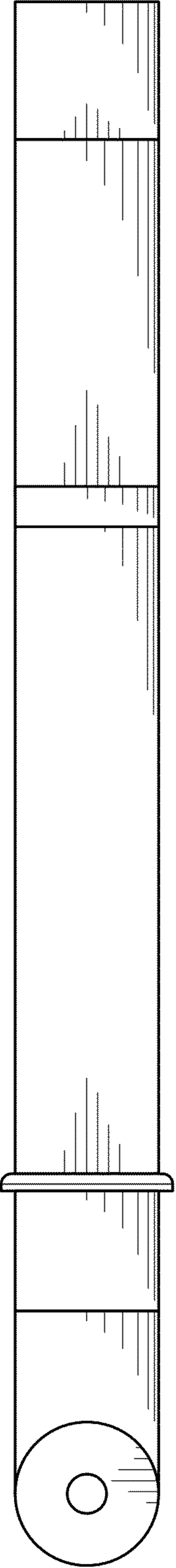


FIG. 7

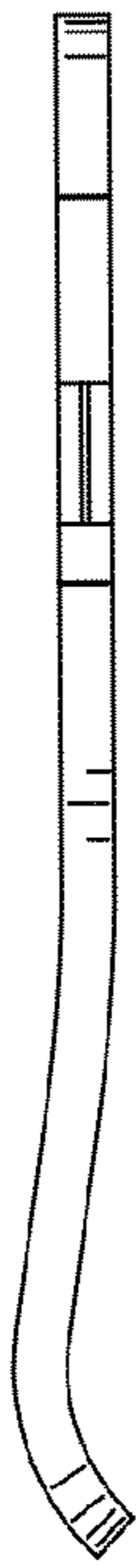


FIG. 8



FIG. 12

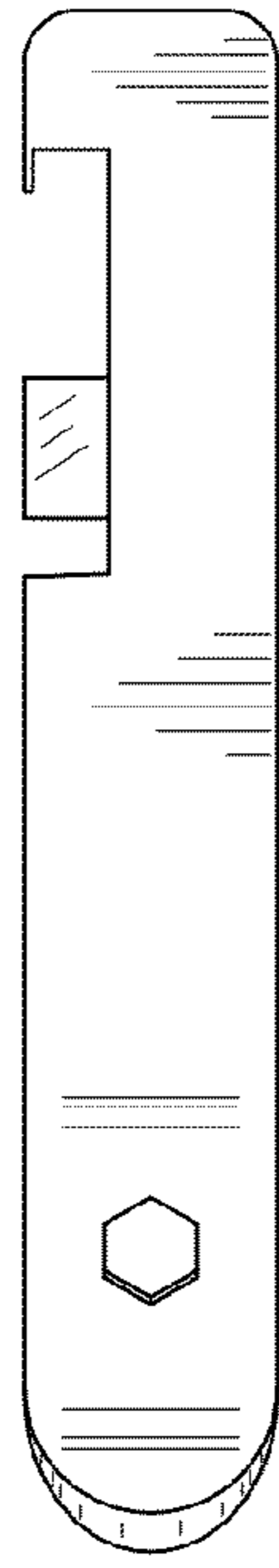


FIG. 9

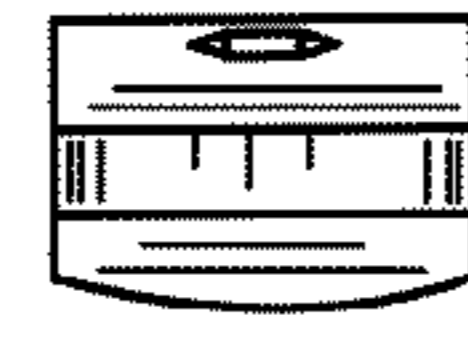


FIG. 13

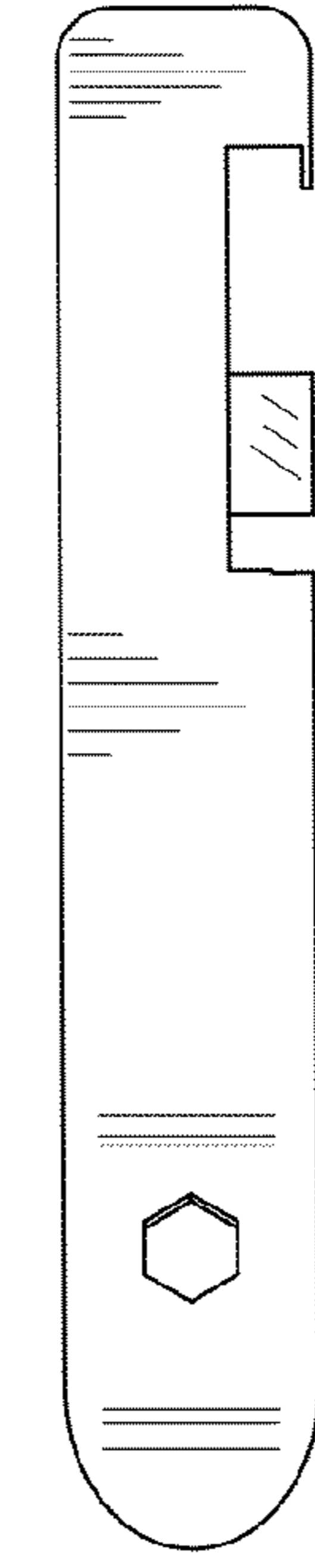


FIG. 10



FIG. 14

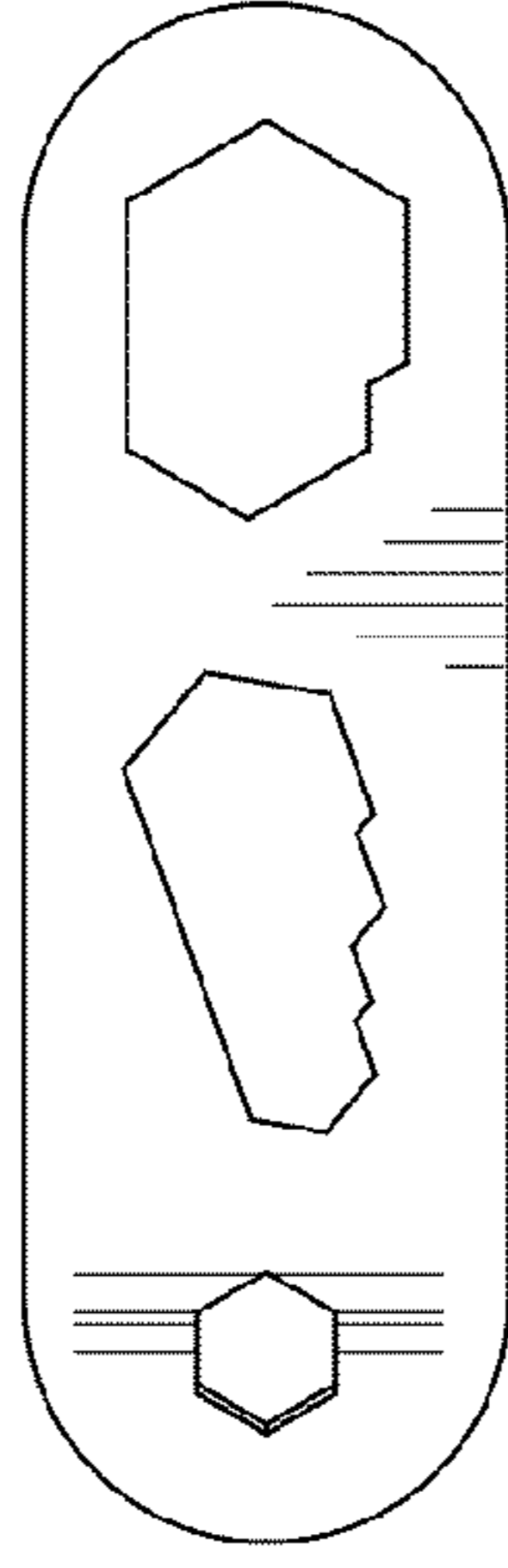


FIG. 15

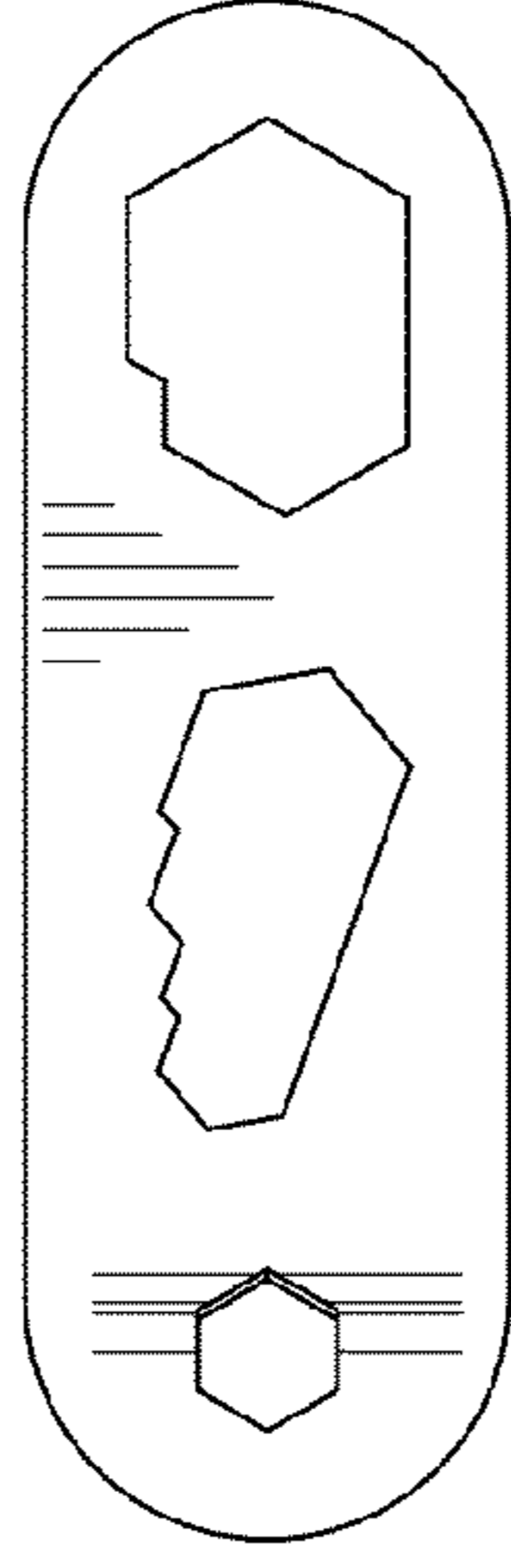


FIG. 16



FIG. 17



FIG. 18

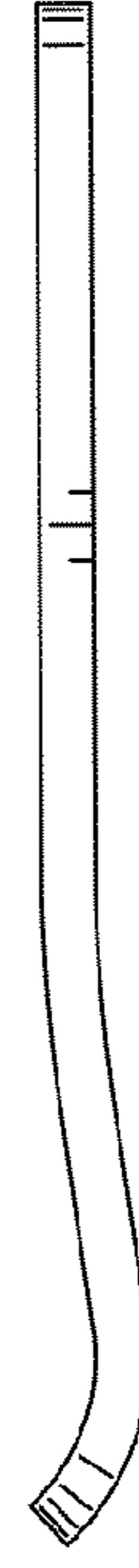


FIG. 11