



US00D686629S

(12) **United States Design Patent**
Trinh et al.

(10) **Patent No.:** **US D686,629 S**
(45) **Date of Patent:** **** Jul. 23, 2013**

(54) **DEVICE DISPLAY FIXTURE**

6,308,928 B1 10/2001 Galant
6,443,417 B2 9/2002 Galant
6,700,488 B1 3/2004 Leyden et al.

(71) Applicant: **Target Brands, Inc.**, Minneapolis, MN (US)

(Continued)

(72) Inventors: **Nick Q. Trinh**, Minneapolis, MN (US);
Joseph H. Bowser, Minneapolis, MN (US);
Justin T. Werth, Nowthen, MN (US)

OTHER PUBLICATIONS

U.S. Appl. No. 13/631,348, filed Sep. 28, 2012 (41 pages).

(Continued)

(73) Assignee: **Target Brands, Inc.**, Minneapolis, MN (US)

Primary Examiner — Angela J Lee

(74) *Attorney, Agent, or Firm* — Griffiths & Seaton PLLC;
JoAnn M. Seaton

(**) Term: **14 Years**

(57) **CLAIM**

The ornamental design for a device display fixture, as shown and described.

(21) Appl. No.: **29/433,411**

DESCRIPTION

(22) Filed: **Sep. 28, 2012**

(51) **LOC (9) Cl.** **08-07**

(52) **U.S. Cl.**

USPC **D14/447**

(58) **Field of Classification Search**

USPC D14/432, 433, 434, 439, 440, 451,
D14/452, 239, 217, 224.1, 251, 252, 253,
D14/457, 458, 459, 460, 461; D6/406.1,
D6/406.2, 406.3, 406.4, 406.5, 406.6;
361/679.06, 679.21, 679.22, 679.24, 679.26,
361/679.27, 679.28, 679.3, 679.55, 679.56,
361/709; 248/917-924, 133, 136, 139, 150,
248/176.1, 188.6; D12/415

See application file for complete search history.

FIG. 1 is a top, front, perspective view of a device display fixture showing our new design;
FIG. 2 is a bottom, front perspective view thereof;
FIG. 3 is a top view thereof;
FIG. 4 is a bottom view thereof;
FIG. 5 is a right side view thereof;
FIG. 6 is a left side view thereof;
FIG. 7 is a top view thereof; and
FIG. 8 is a bottom view thereof.
FIG. 9 is a top, front, perspective view of the device display fixture of FIG. 1 illustrated with additional environmental subject matter;
FIG. 10 is a bottom, front perspective view thereof;
FIG. 11 is a top view thereof;
FIG. 12 is a bottom view thereof;
FIG. 13 is a right side view thereof;
FIG. 14 is a left side view thereof;
FIG. 15 is a top view thereof; and,
FIG. 16 is a bottom view thereof.

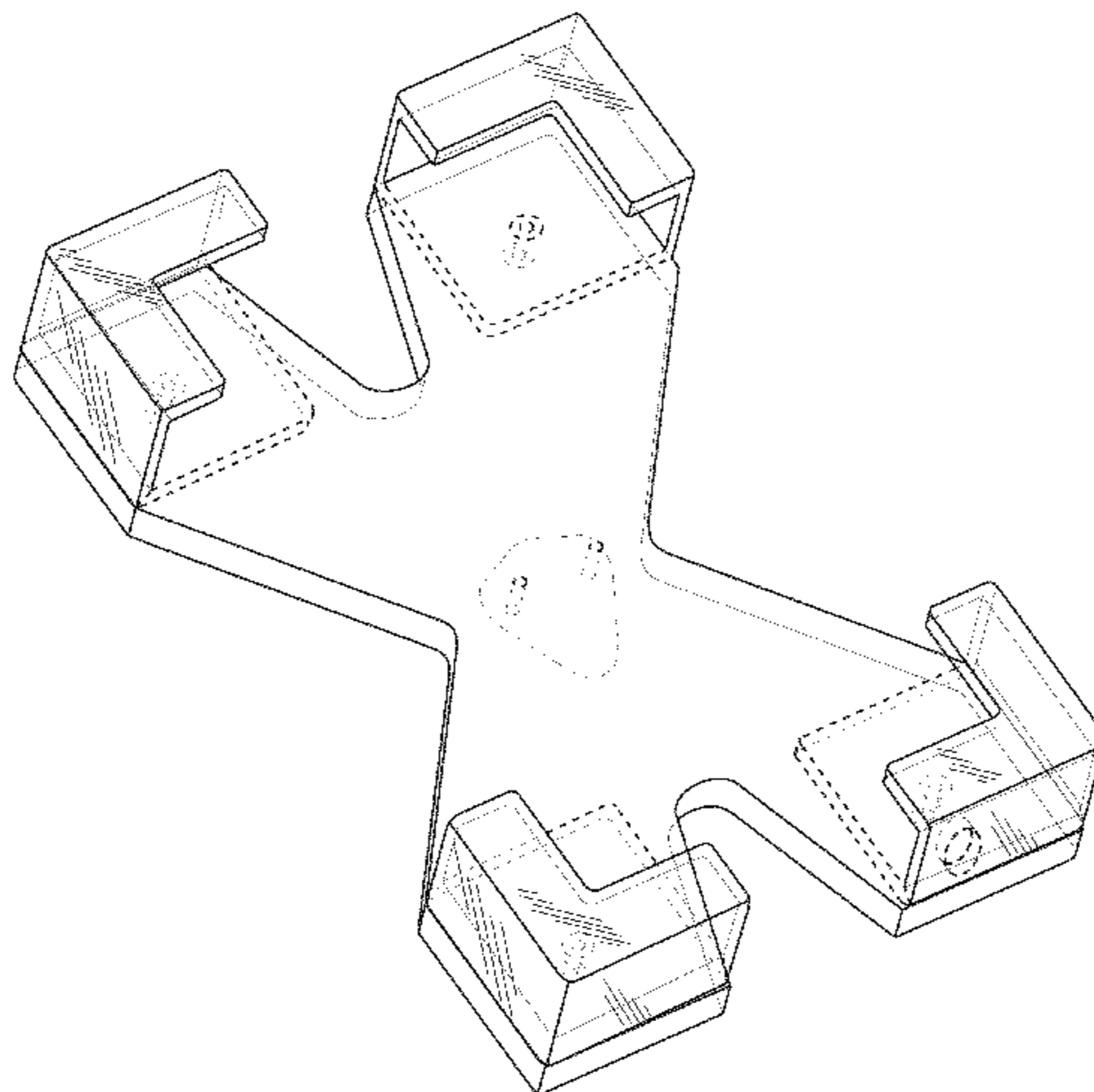
The features shown in broken lines are environmental subject matter to the device display fixture or portions of the device display fixture forming no part of the claimed design.

(56) **References Cited**

U.S. PATENT DOCUMENTS

5,076,079 A 12/1991 Monoson et al.
5,583,742 A 12/1996 Noda et al.
5,586,002 A 12/1996 Notarianni
5,595,074 A 1/1997 Munro
5,836,183 A 11/1998 Derman
6,216,499 B1 4/2001 Ronberg et al.
6,237,375 B1 5/2001 Wymer

1 Claim, 12 Drawing Sheets



US D686,629 S

Page 2

U.S. PATENT DOCUMENTS

6,763,690 B2 7/2004 Galant
7,007,912 B1 3/2006 Giuliani et al.
7,031,148 B1 4/2006 Lin
7,032,872 B2 4/2006 Sullivan
7,174,752 B2 2/2007 Galant
D540,566 S 4/2007 Scholen et al.
7,274,564 B2 9/2007 Rossini
7,287,652 B2 10/2007 Scholen et al.
D564,220 S * 3/2008 Dixon D3/218
7,443,665 B2 10/2008 Allen
7,495,895 B2 2/2009 Carnevali
7,499,270 B2 3/2009 Allen
7,522,047 B2 4/2009 Belden, Jr. et al.
7,611,119 B2 11/2009 Rossini
7,614,601 B2 11/2009 Marsilio et al.
7,626,500 B2 12/2009 Belden, Jr. et al.
7,654,399 B2 2/2010 Scholen et al.
7,658,363 B2 2/2010 Meyer
7,710,266 B2 5/2010 Belden, Jr. et al.
7,740,214 B2 6/2010 Marsilio et al.
7,744,404 B1 6/2010 Henson et al.
7,866,623 B2 1/2011 Lampman et al.
D634,315 S * 3/2011 Nousiainen D14/253
7,909,641 B1 3/2011 Henson et al.
D637,593 S * 5/2011 Zanetti D14/253
D640,707 S * 6/2011 Yeh D14/447
D641,610 S * 7/2011 Sedalo D8/354
7,971,845 B2 7/2011 Galant
D653,668 S * 2/2012 Song et al. D14/447
D658,651 S * 5/2012 Lee et al. D14/452
D666,205 S * 8/2012 Li et al. D14/452
D669,481 S * 10/2012 Prescott et al. D14/447
D669,890 S * 10/2012 Hopkins et al. D14/251
D673,960 S * 1/2013 Lindfield et al. D14/447
D674,803 S * 1/2013 Westrup D14/440
D674,804 S * 1/2013 Cote D14/447
2002/0101411 A1 8/2002 Chang
2005/0161555 A1 7/2005 Leitner et al.

2008/0192410 A1 8/2008 Kumar
2009/0079566 A1 3/2009 Goldstein et al.
2009/0166483 A1 7/2009 Marsilio et al.
2009/0173868 A1 7/2009 Fawcett et al.
2010/0060532 A1 3/2010 Kuang et al.
2010/0078343 A1 4/2010 Hoellwarth et al.
2010/0079285 A1 4/2010 Fawcett et al.
2010/0133209 A1 6/2010 Scholen et al.
2010/0326144 A1 12/2010 Foster et al.
2011/0024371 A1 2/2011 Lampman et al.
2011/0042331 A1 2/2011 Johnson et al.
2011/0062294 A1 3/2011 Johnson et al.
2011/0084838 A1 4/2011 Fawcett
2011/0100073 A1 5/2011 Johnston et al.
2011/0133050 A1 6/2011 Eisenberger, Sr. et al.

OTHER PUBLICATIONS

“Tablet and Smartphone Merchandising Security & Power,” printed from <http://mti-interactive.com/categories-supported/?filter=term-15>, 2012 (5 pages).

“Expandable Laptop Security Bracket,” printed from www.americantheftprevention.com/Connputer-Laptop-Security/Expandable-Laptop-Bracket-p178.html on May 14, 2012 (2 pages).

“MTI’s Tether Technologies Improve Durability, Reduce False Alarms, and Extend Display Lifespan Over 4 Times That of Retractor-Based Systems,” www.mti-interactive.com, publicly available more than one year prior to May 14, 2012 (9 pages).

“Freedom™ Core,” www.mti-interactive.com, publicly available more than one year prior to May 14, 2012 (8 pages).

U.S. Appl. No. 13/471,156, filed May 14, 2012 (73 pages).

Photographs of Amazon Kindle® Display publicly available more than one year prior to Sep. 28, 2012 (2 pages).

Office Action from Canadian Patent Application No. 147,693, mailed May 14, 2013 (2 pages).

* cited by examiner

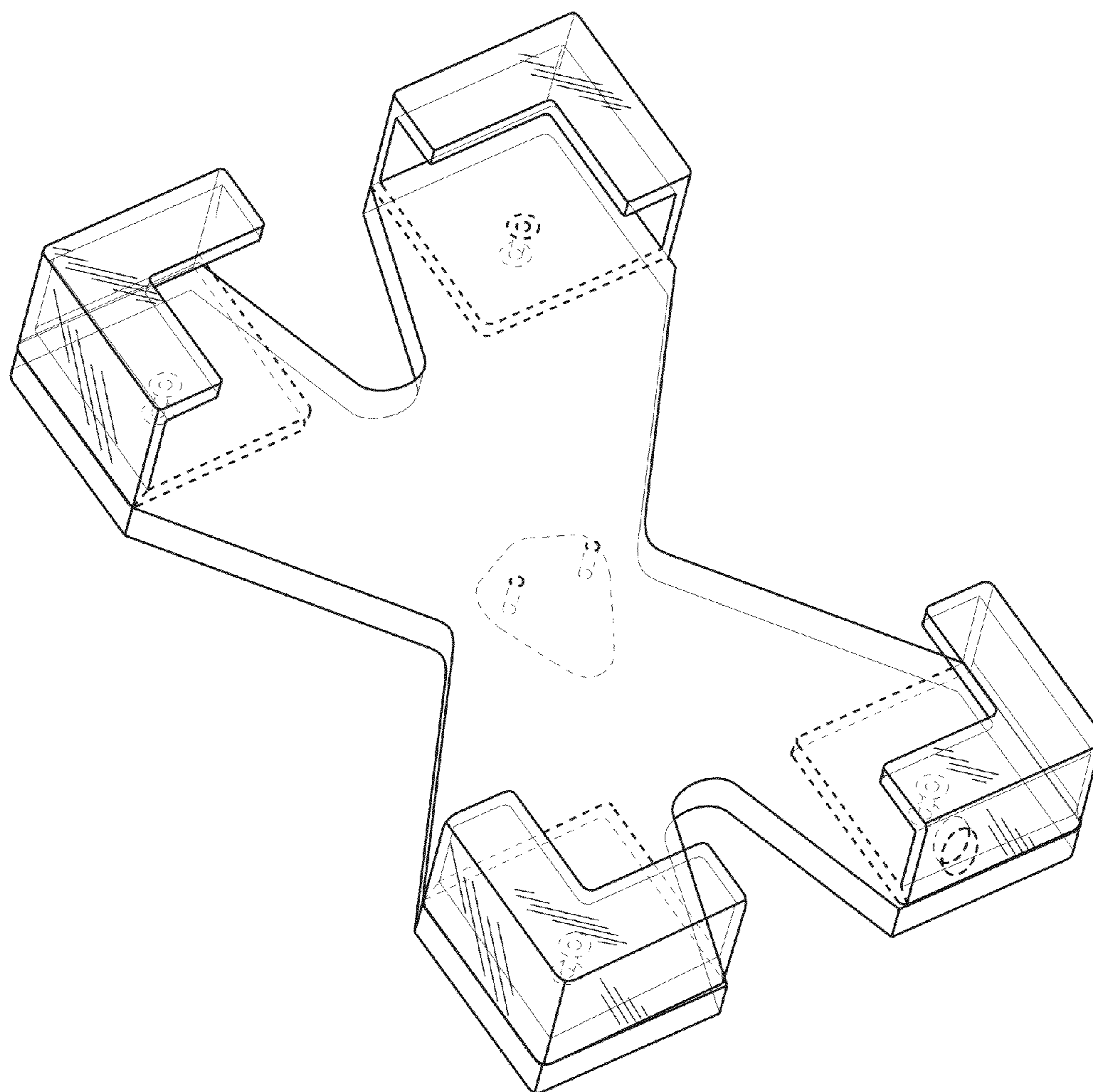


FIG. 1

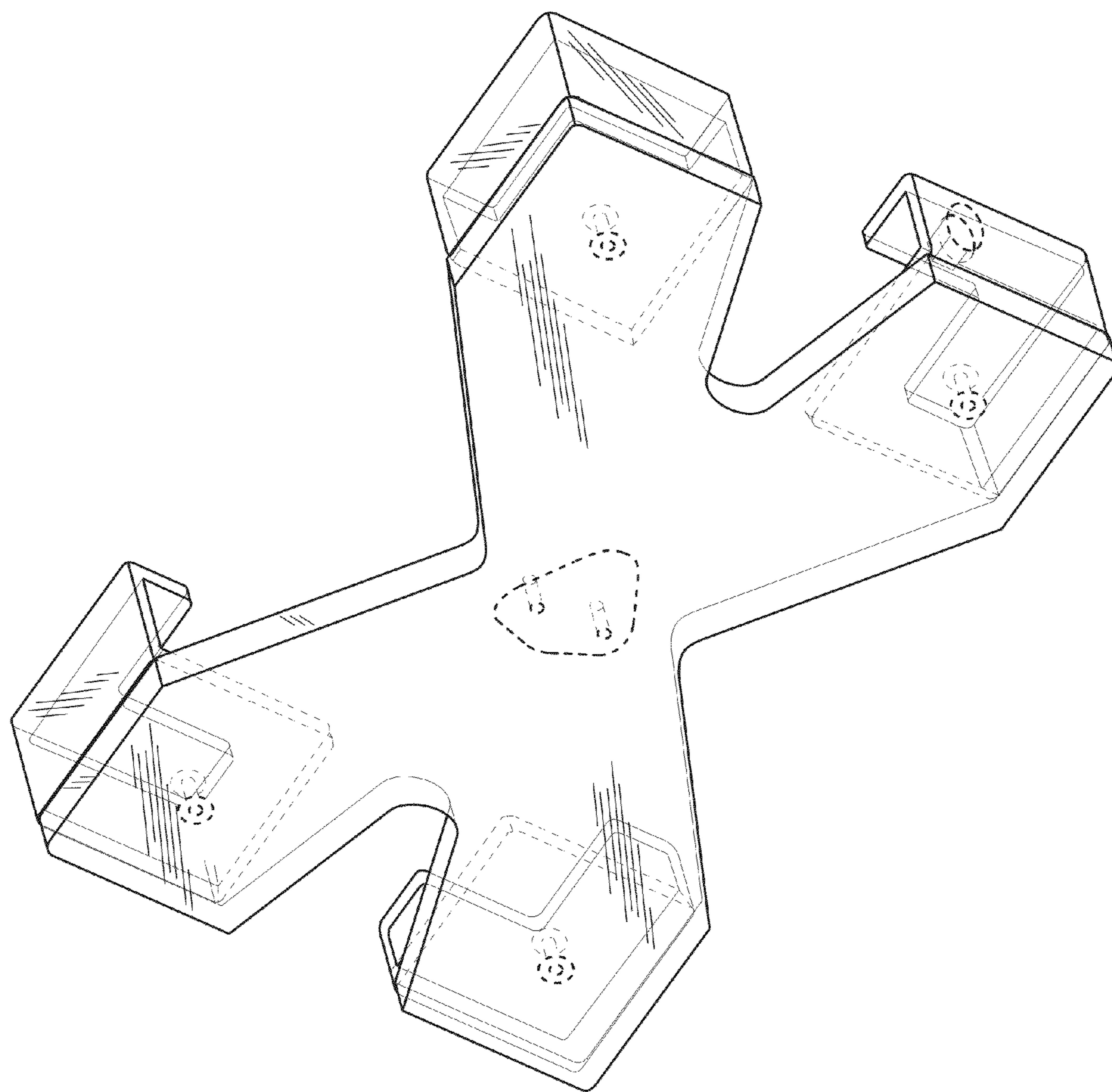


FIG. 2

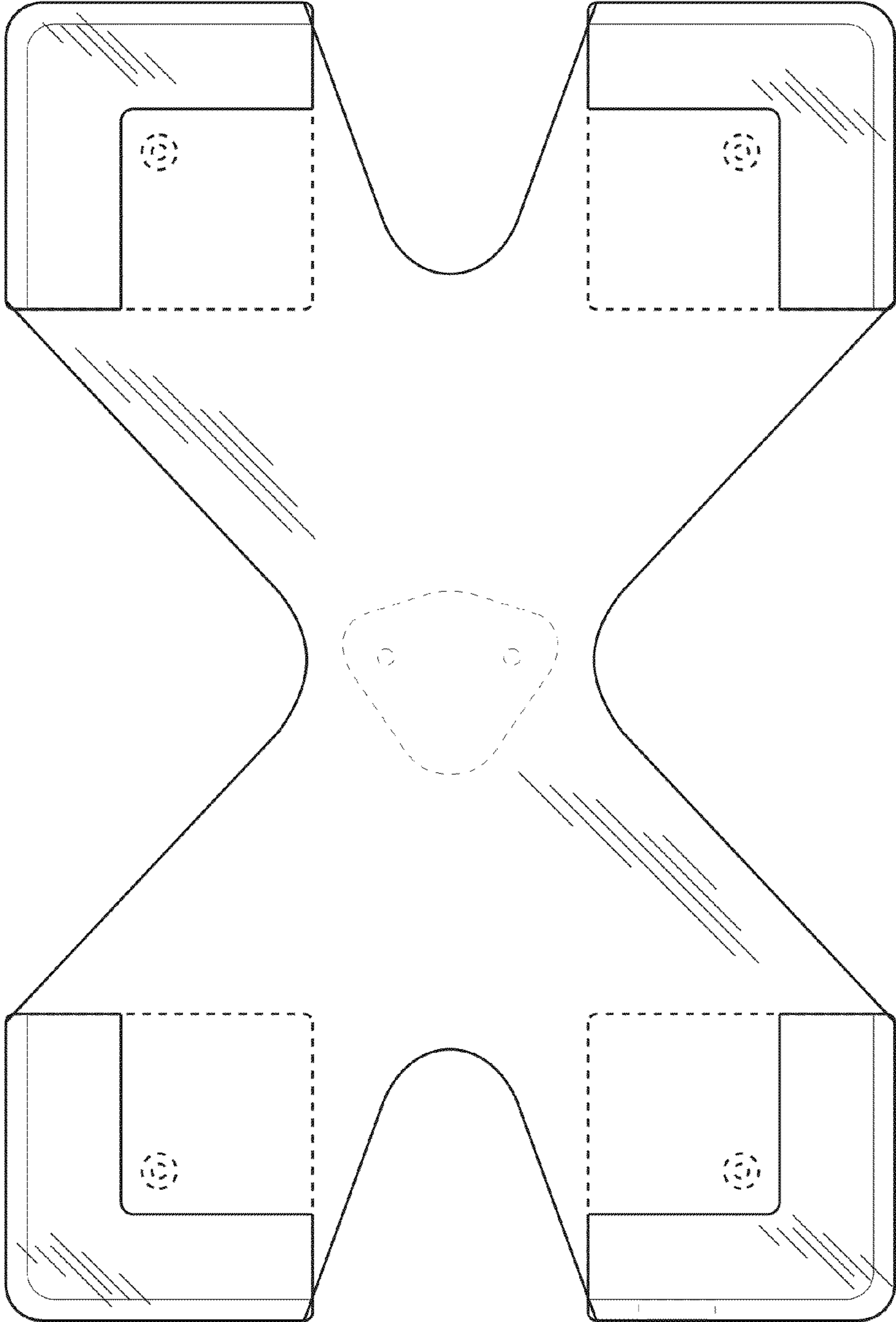


FIG. 3

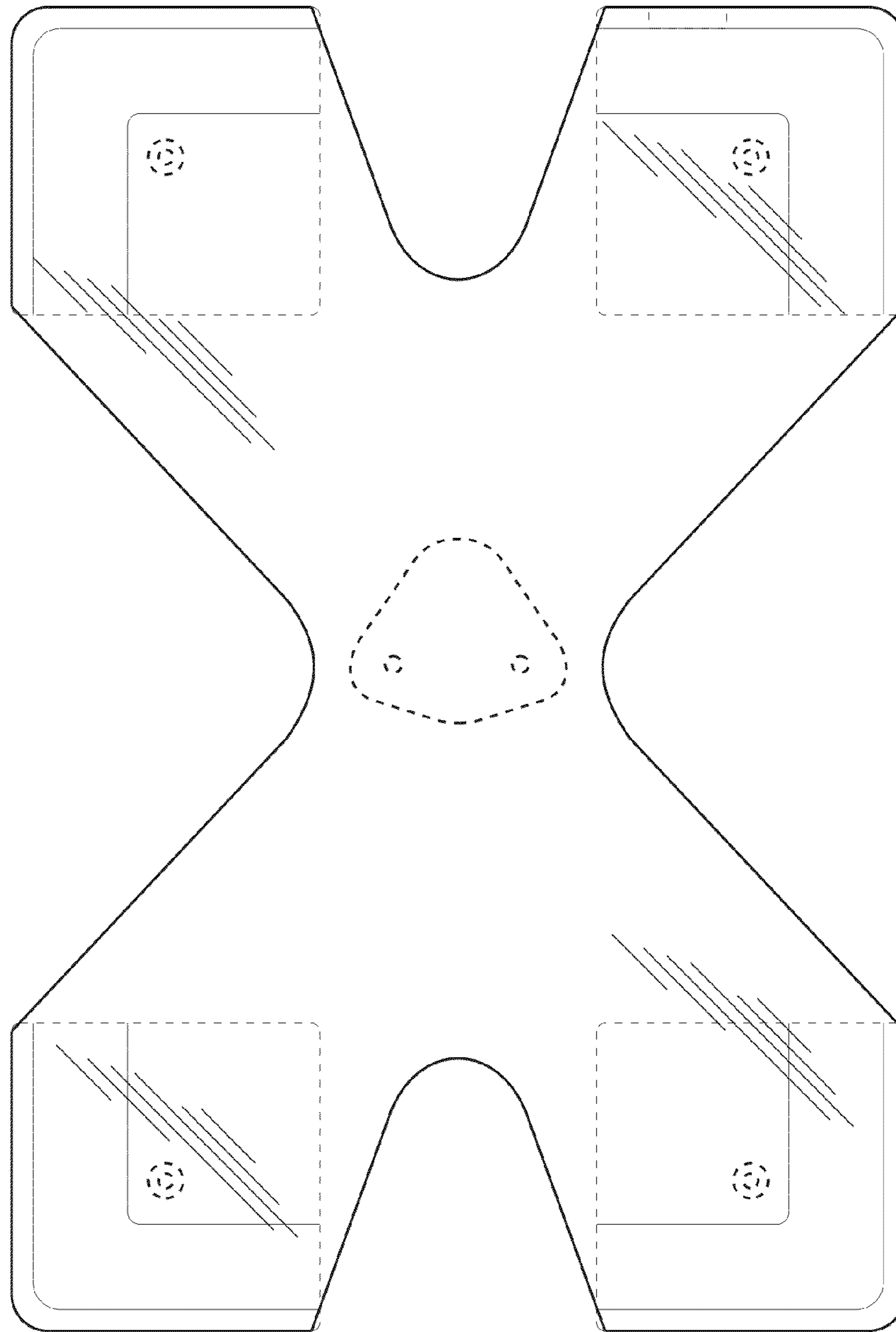


FIG. 4

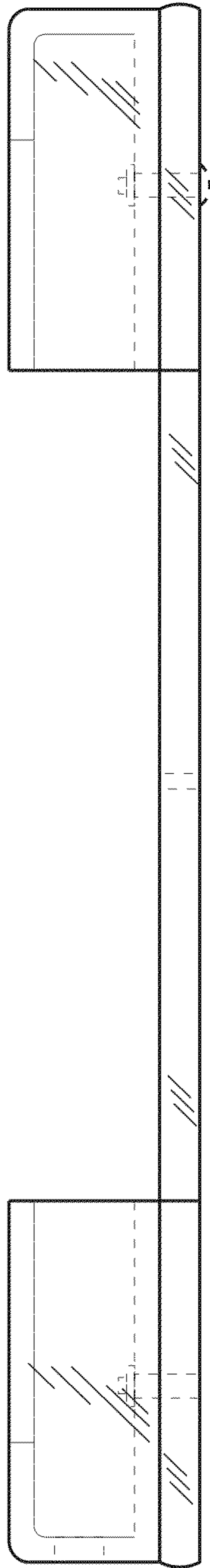


FIG. 5

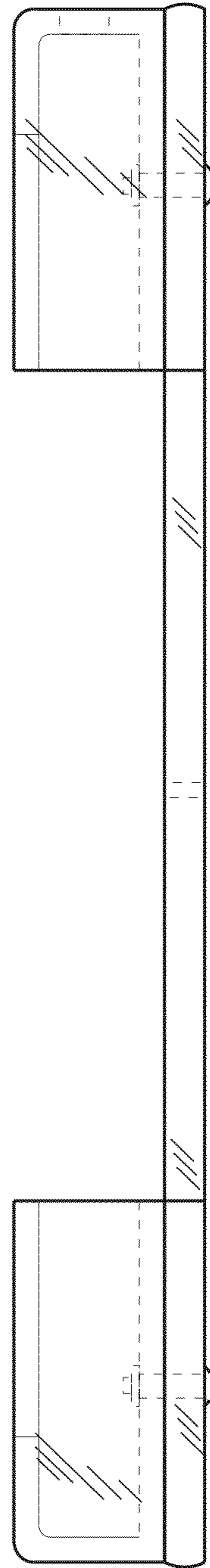


FIG. 6

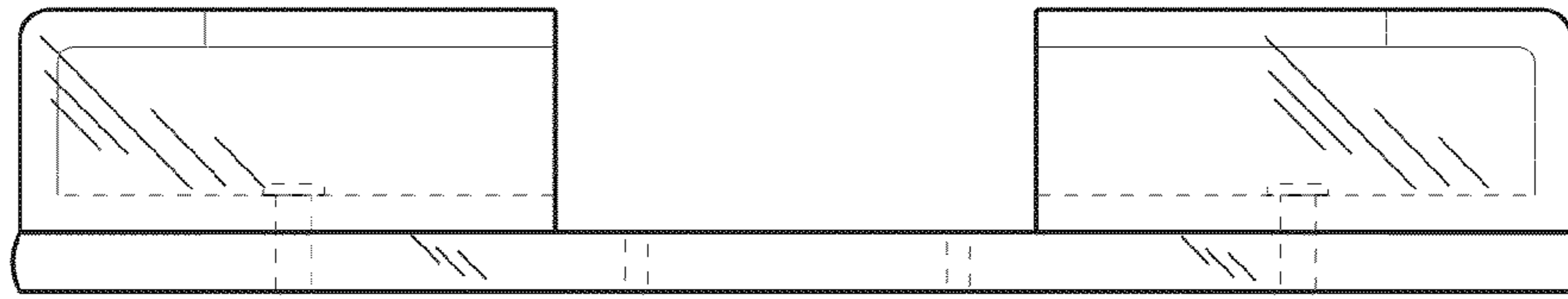


FIG. 7

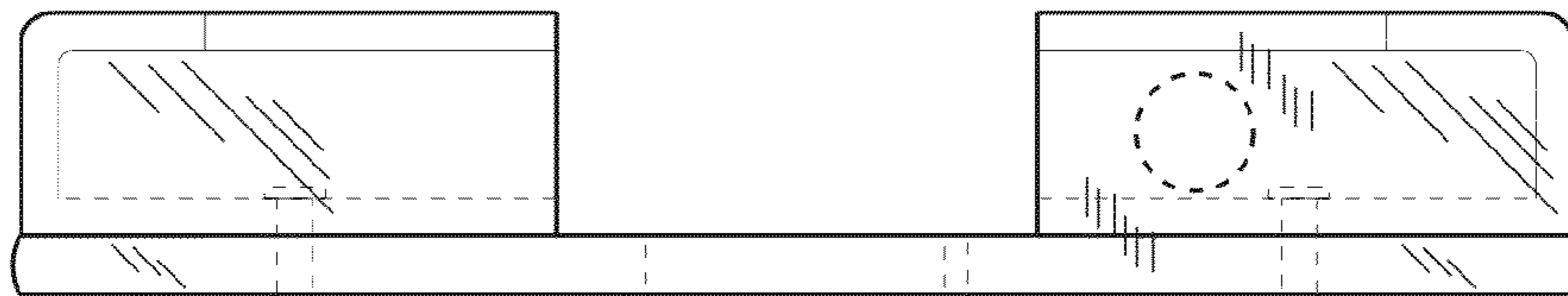


FIG. 8

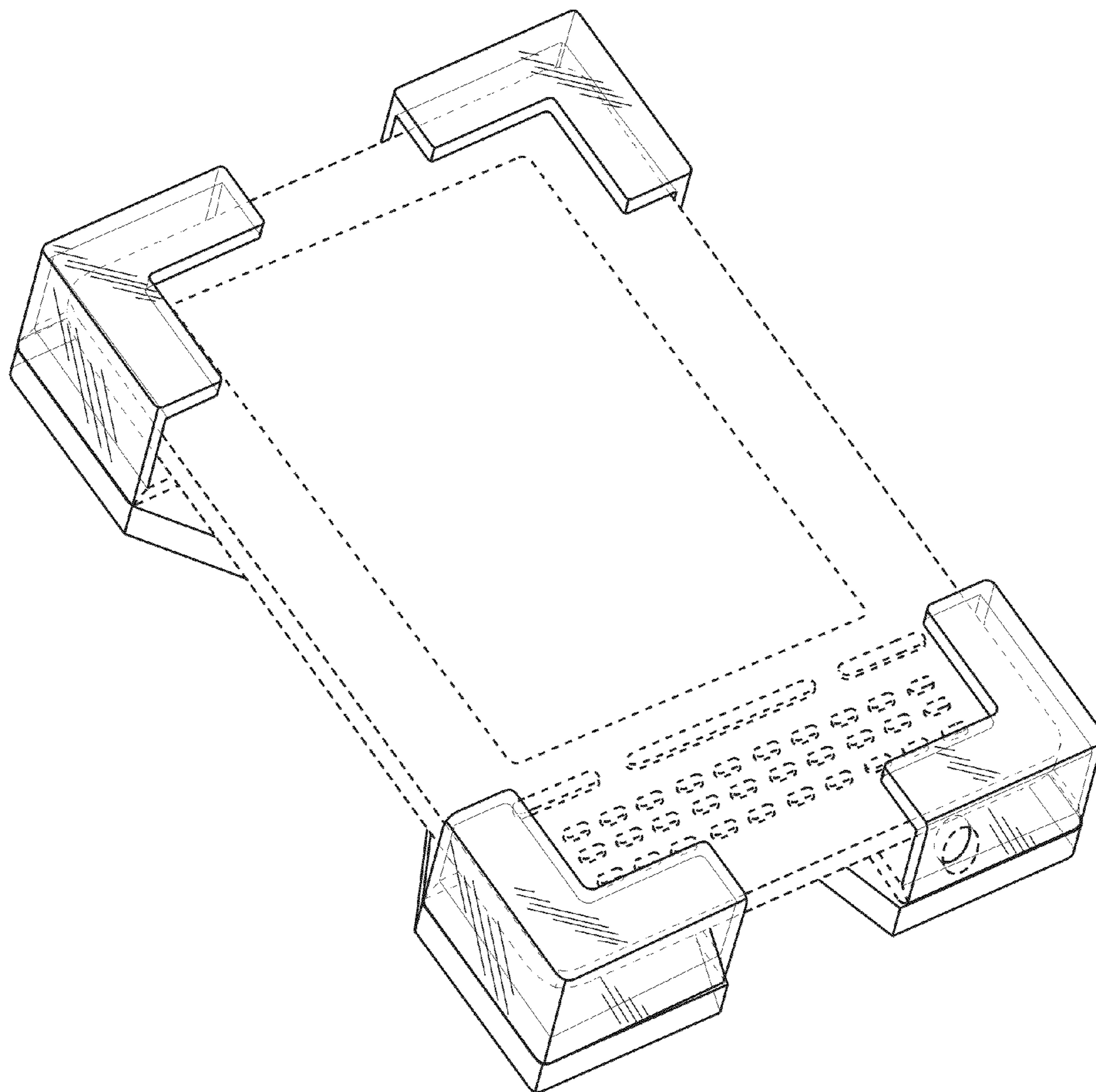


FIG. 9

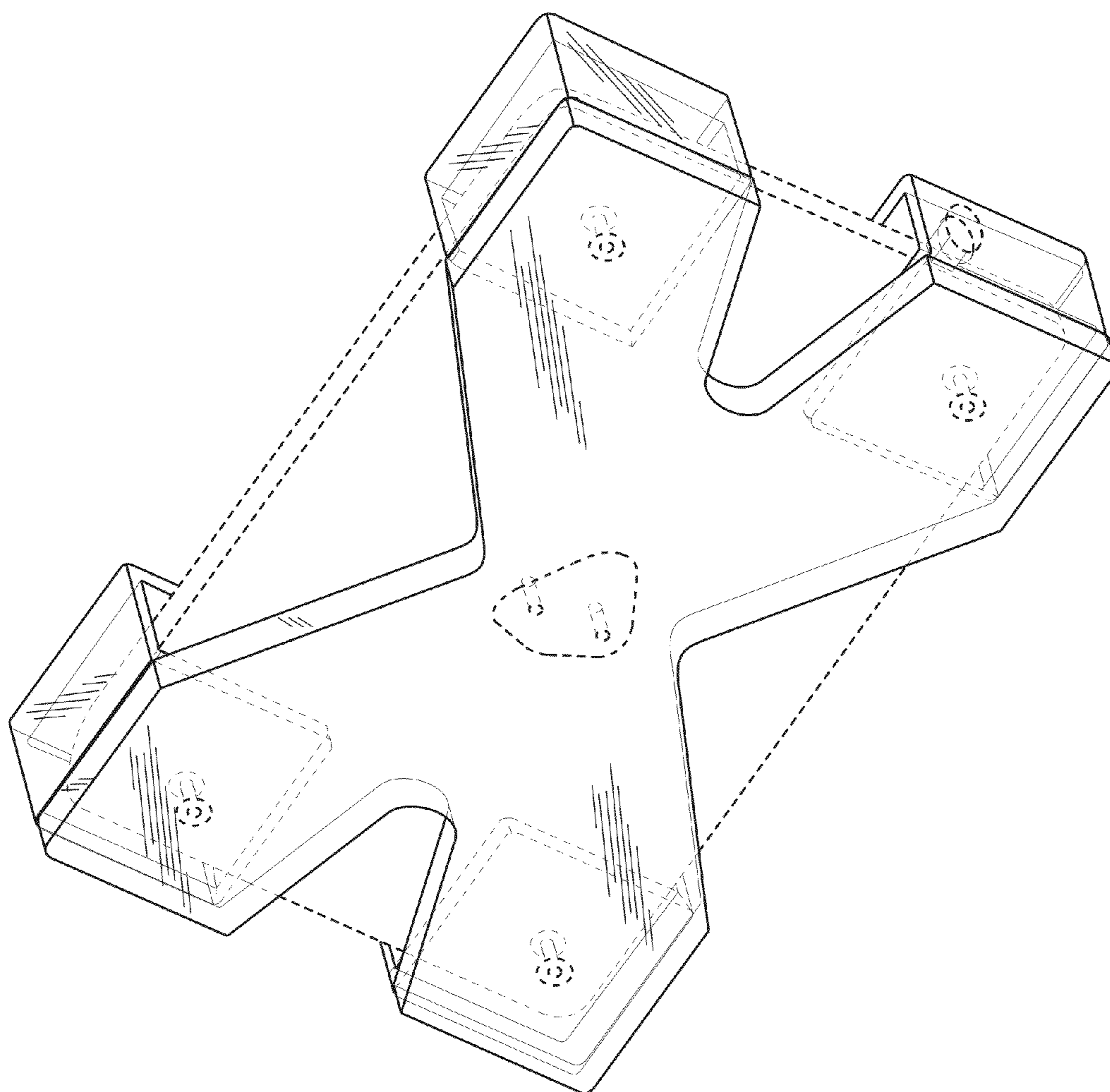


FIG. 10

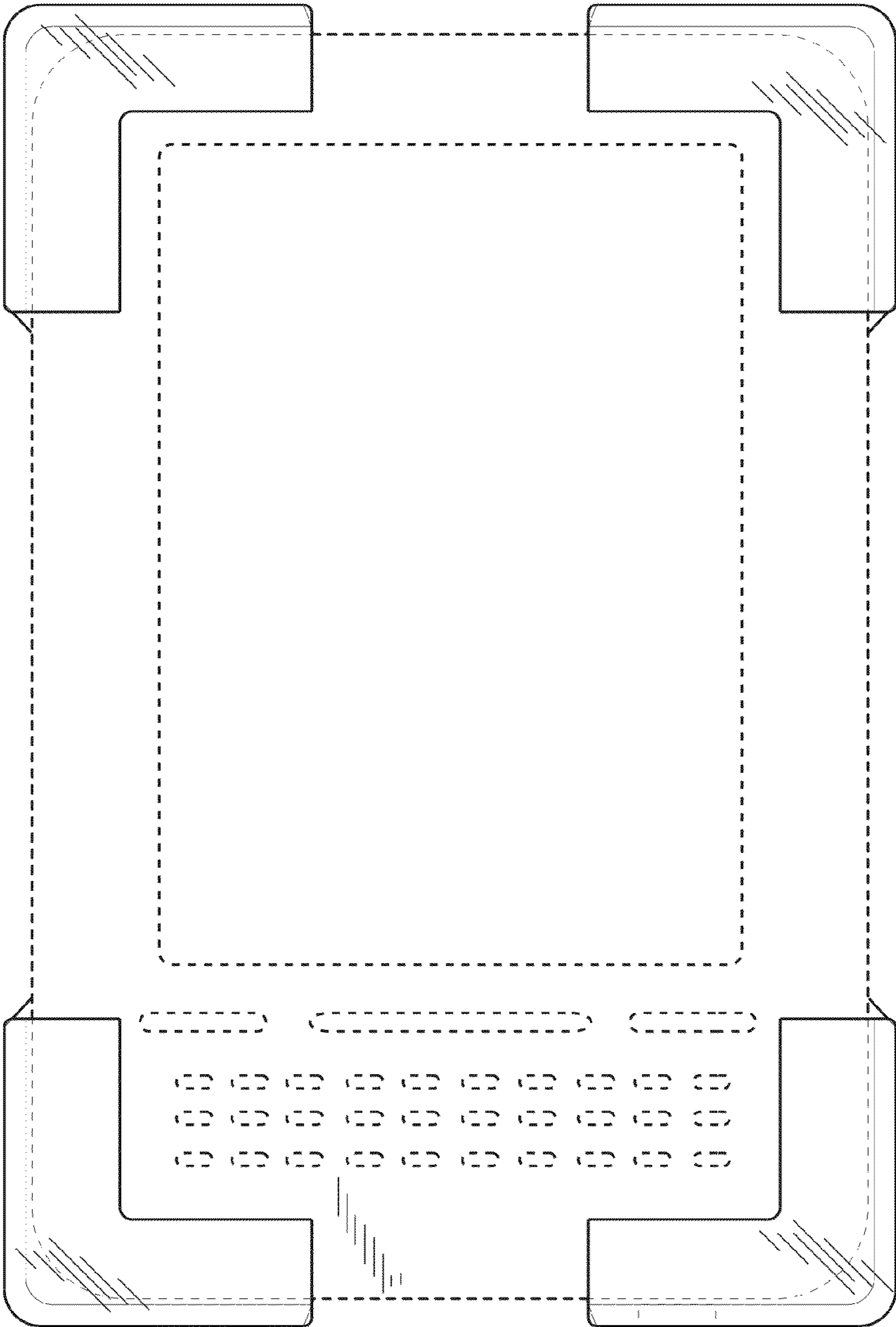


FIG. 11

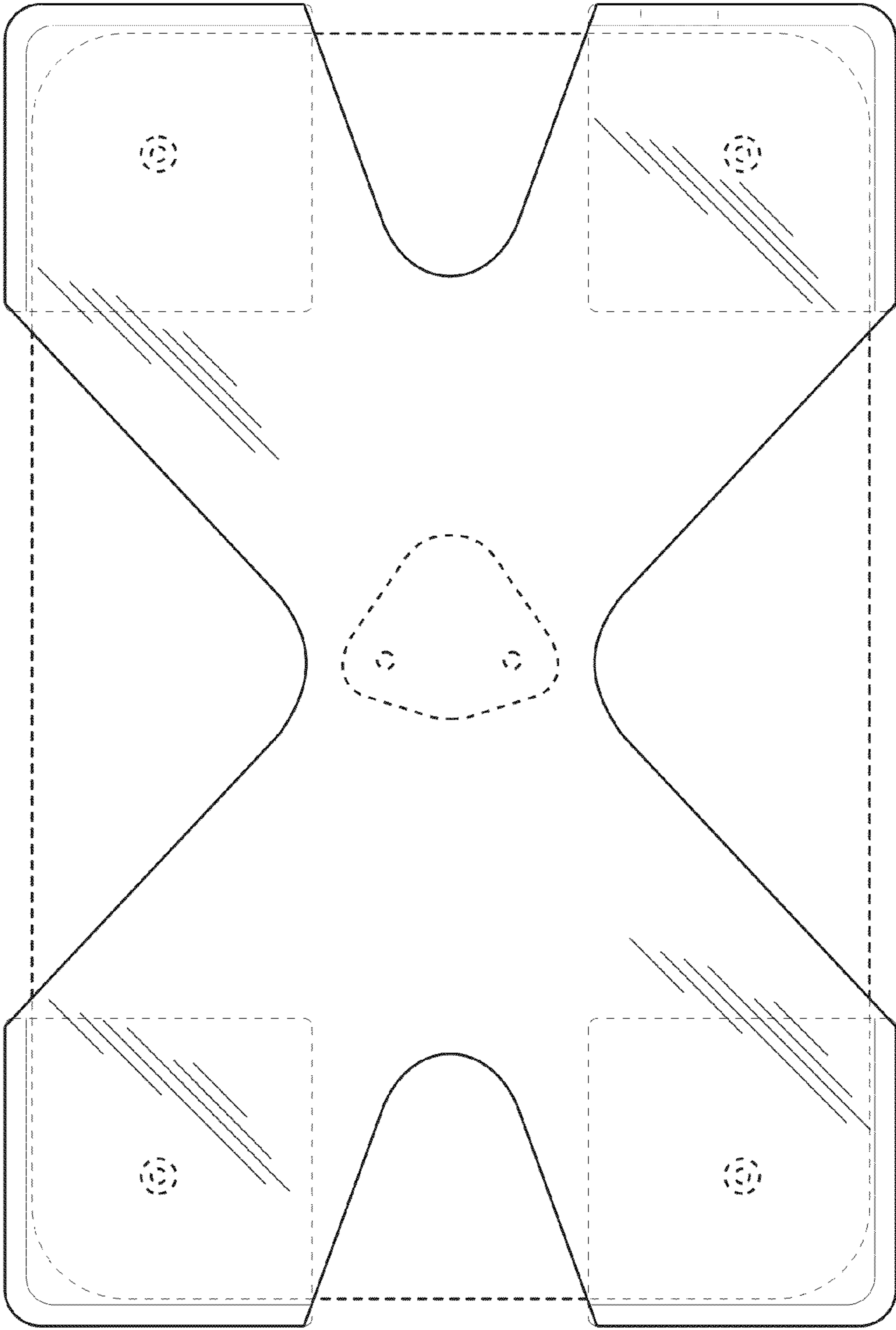


FIG. 12

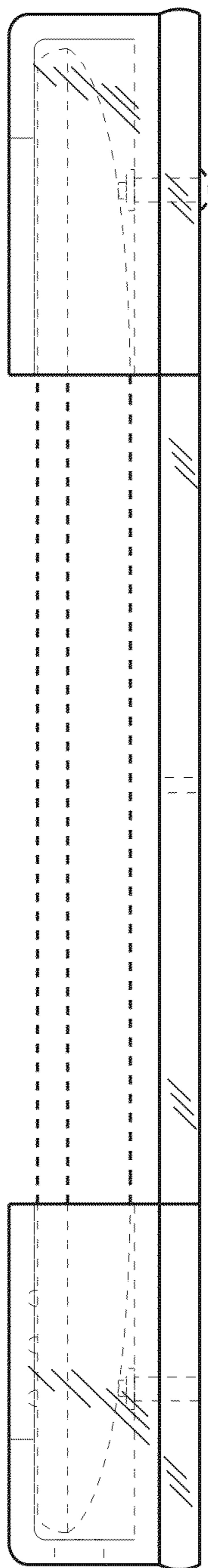


FIG. 13

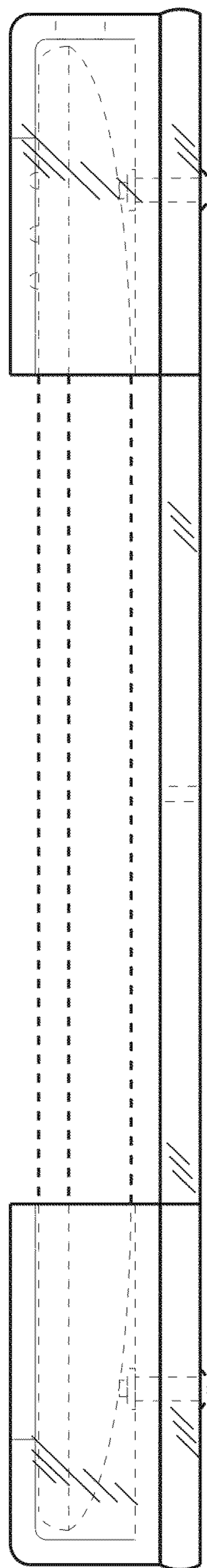


FIG. 14

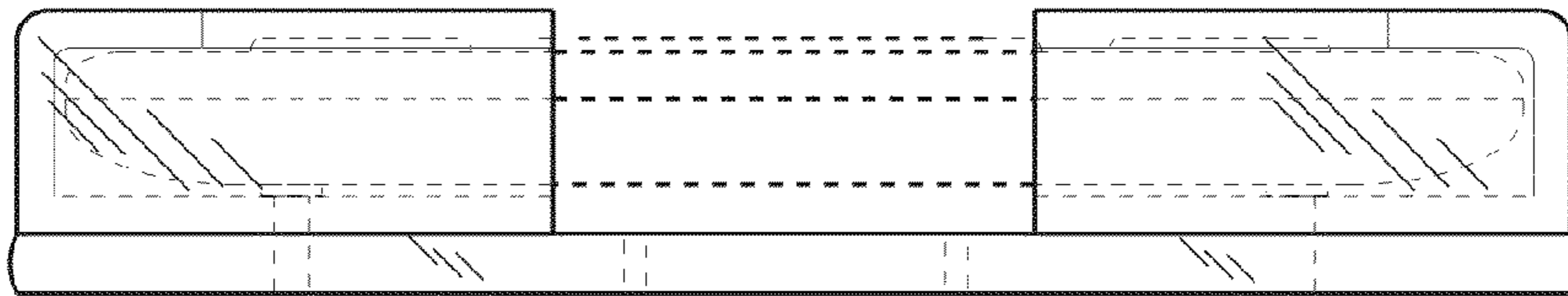


FIG. 15

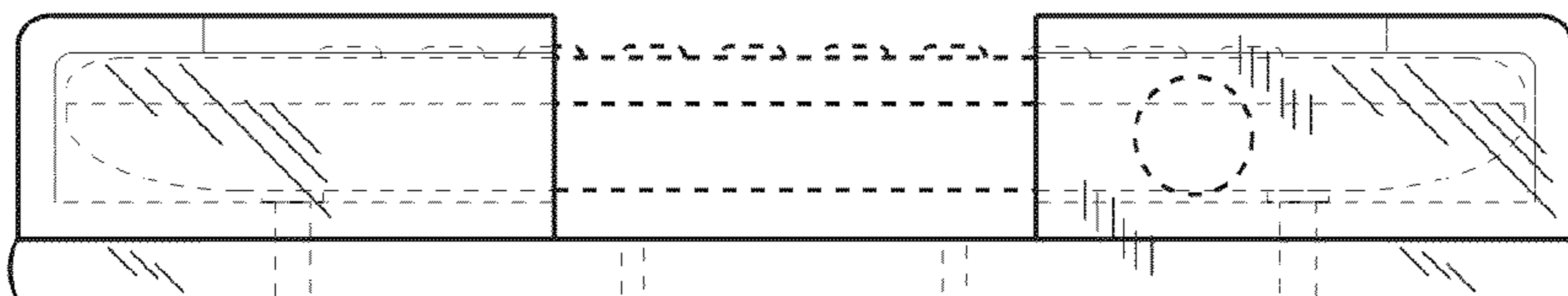


FIG. 16