

US00D686627S

(12) **United States Design Patent**
Akana et al.

(10) **Patent No.:** **US D686,627 S**
(45) **Date of Patent:** **** Jul. 23, 2013**

(54) **CASE**

361/679.56, 683, 679.09; 112/475.19; 162/134,
162/140, 231; 156/148, 209; 5/413 AM, 709;
379/88.17, 387.01, 388.02, 419, 440; 220/4.02;
248/309.1; 345/173; 455/575.1, 575.8; 190/100
See application file for complete search history.

(75) Inventors: **Jody Akana**, San Francisco, CA (US);
Bartley K. Andre, Palo Alto, CA (US);
Jeremy Bataillou, San Francisco, CA
(US); **Daniel J. Coster**, San Francisco,
CA (US); **Daniele De Iuliis**, San
Francisco, CA (US); **M. Evans Hankey**,
San Francisco, CA (US); **Julian Hoenig**,
San Francisco, CA (US); **Richard P.**
Howarth, San Francisco, CA (US);
Jonathan P. Ive, San Francisco, CA
(US); **Duncan Robert Kerr**, San
Francisco, CA (US); **Shin Nishibori**,
Kailua, HI (US); **Matthew Dean**
Rohrbach, San Francisco, CA (US);
Peter Russell-Clarke, San Francisco,
CA (US); **Christopher J. Stringer**,
Woodside, CA (US); **Eugene Antony**
Whang, San Francisco, CA (US); **Rico**
Zörkendörfer, San Francisco, CA (US)

(73) Assignee: **Apple Inc.**, Cupertino, CA (US)

(**) Term: **14 Years**

(21) Appl. No.: **29/415,277**

(22) Filed: **Mar. 8, 2012**

Related U.S. Application Data

(63) Continuation of application No. 29/415,035, filed on
Mar. 6, 2012, and a continuation of application No.
29/415,062, filed on Mar. 7, 2012, which is a
continuation of application No. 29/415,035, filed on
Mar. 6, 2012.

(51) **LOC (9) Cl.** **14-02**

(52) **U.S. Cl.**
USPC **D14/440**

(58) **Field of Classification Search**
USPC D14/248, 130, 432, 439, 300, 246,
D14/223, 138 AA, 240, 217, 496, 250, 251,
D14/253, 440, 203.3, 203.4, 203.5, 203.8;
D3/218, 215, 201; 206/320; 361/679.03,

(56) **References Cited**

U.S. PATENT DOCUMENTS

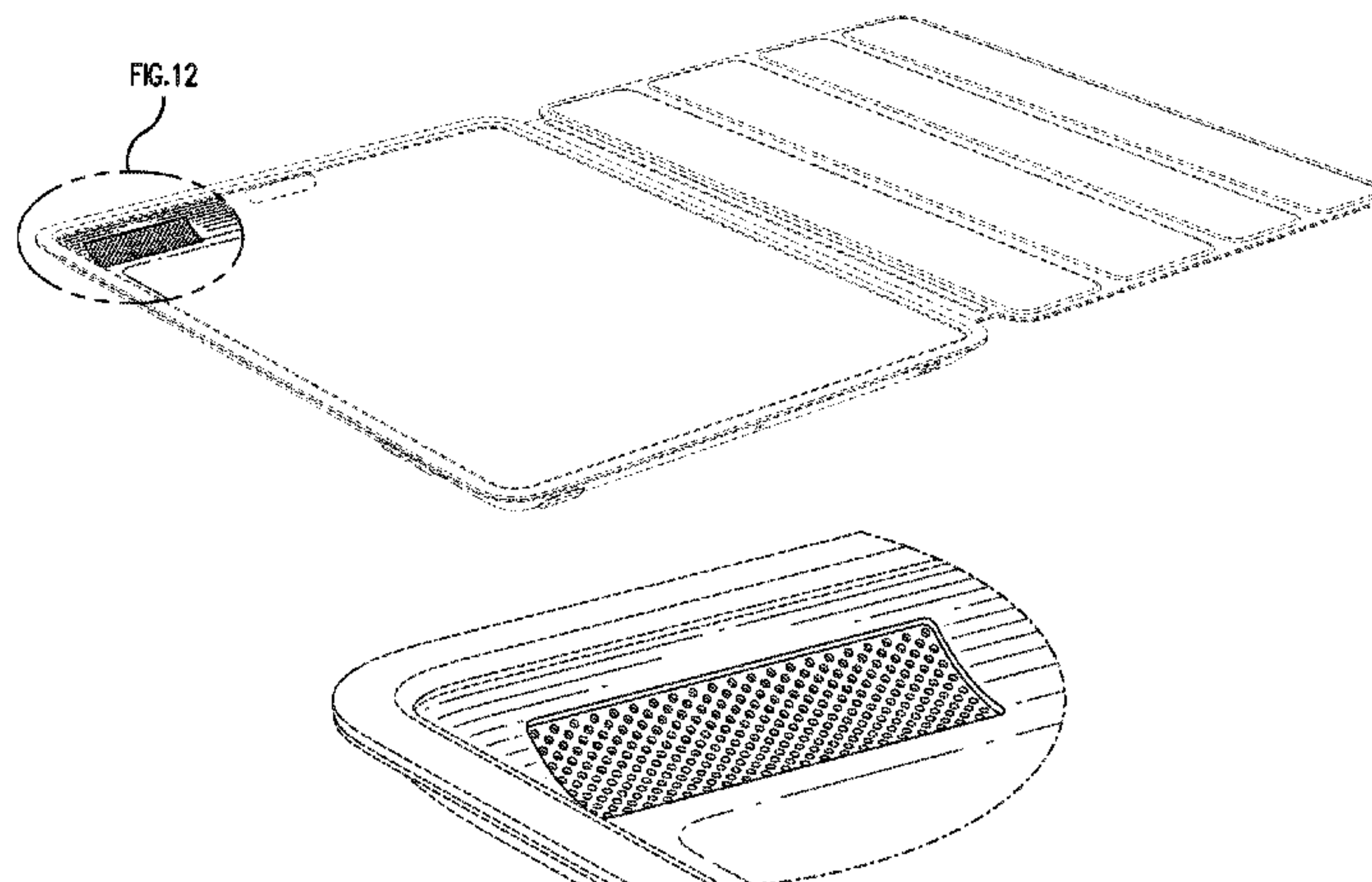
D340,701	S	*	10/1993	Takeuchi	D14/341
D409,667	S		5/1999	Riley et al.		
D454,110	S		3/2002	Andre et al.		
D461,469	S	*	8/2002	Wang et al.	D14/497
D517,512	S	*	3/2006	Peng	D14/129
D518,007	S	*	3/2006	Peng	D14/129
D518,008	S	*	3/2006	Peng	D14/129
D538,787	S	*	3/2007	Tsai	D14/209.1
D542,772	S	*	5/2007	Shimizu	D14/171
D555,667	S	*	11/2007	Hussaini et al.	D14/496
D557,814	S	*	12/2007	Glenn et al.	D24/217
D577,743	S	*	9/2008	Liu	D14/496
D583,360	S	*	12/2008	Gredler	D14/171
D593,540	S	*	6/2009	Skurdal	D14/215
D594,876	S	*	6/2009	Hwang	D14/496
D599,821	S	*	9/2009	Tang	D14/496
D604,744	S	*	11/2009	Tseng et al.	D14/496
D606,096	S	*	12/2009	Bui	D14/496
D608,794	S	*	1/2010	Xiao et al.	D14/496
D609,718	S	*	2/2010	Chang et al.	D14/496
D616,416	S	*	5/2010	Lin	D14/189
D616,464	S	*	5/2010	Park	D14/496
D622,258	S	*	8/2010	Joseph	D14/171
D644,248	S	*	8/2011	Kim et al.	D14/496
D656,929	S	*	4/2012	Hsiung	D14/250
D663,724	S	*	7/2012	Lee et al.	D14/248
D664,564	S	*	7/2012	Gillett et al.	D14/496
D669,059	S	*	10/2012	Huang	D14/240

FOREIGN PATENT DOCUMENTS

EM	001266266-0001	3/2011
EM	001266282-0001	3/2011
EM	001266290-0001	3/2011
GB	4020173	6/2011

OTHER PUBLICATIONS

Design U.S. Appl. No. 29/382,846, filed Jan. 7, 2011, "Portable
Display Device," Andre et al. (not published).
"Review: AViiQ Smart Case for iPad 2 ", which was published on
YouTube at <http://www.youtube.com/watch?v=DaHjzeVWEuA>,
May 24, 2011, 3 pages.



“AViiQ Smart Case for iPad 2 compliments Apple’s Smart Cover (Review)”, which was published on YouTube at <http://www.youtube.com/watch?v=wMoZM-ZSn4g>, Aug. 31, 2011, 2 pages.

Youtube.com, “iPad 2—Best Protective Case—Smart Cover + Smart Back Cover by Simplism”, (<http://www.youtube.com/watch?v=SRHhU98NAd0&feature=endscreen&NR=1>), May 15, 2011, 2 pages.

* cited by examiner

Primary Examiner — Cynthia Underwood

(74) *Attorney, Agent, or Firm* — Sterne, Kessler, Goldstein & Fox PLLC

(57)

CLAIM

The ornamental design for a case, as shown and described.

DESCRIPTION

FIG. 1 is a top front perspective view of a case in an open position showing our new design;

FIG. 2 is a bottom rear perspective view thereof;

FIG. 3 is a front view thereof;

FIG. 4 is a rear view thereof;

FIG. 5 is a bottom view thereof;

FIG. 6 is a top view thereof;

FIG. 7 is a left side view thereof;

FIG. 8 is a right side view thereof;

FIG. 9 is a front view thereof; showing the case in a closed position;

FIG. 10 is a bottom view of the case in an open position shown in two parts for ease of illustration with the dot-dash-dot line forming no part of the claim;

FIG. 11 is a top view thereof shown in two parts for ease of illustration with the dot-dash-dot line forming no part of the claim; and,

FIG. 12 is an enlarged view taken from FIG. 1.

The broken lines in the Figures show portions of the case which form no part of the claimed design.

The shade lines in the Figures show contour and not surface ornamentation.

The dot-dash-dot lines in FIGS. 1, 2, 3, 4, 5, 10, and 12 show an unclaimed boundary, and form no part of the claimed design. The dot-dot-dash lines in FIGS. 10 and 11 show the location at which the two parts are divided, and form no part of the claimed design.

1 Claim, 9 Drawing Sheets

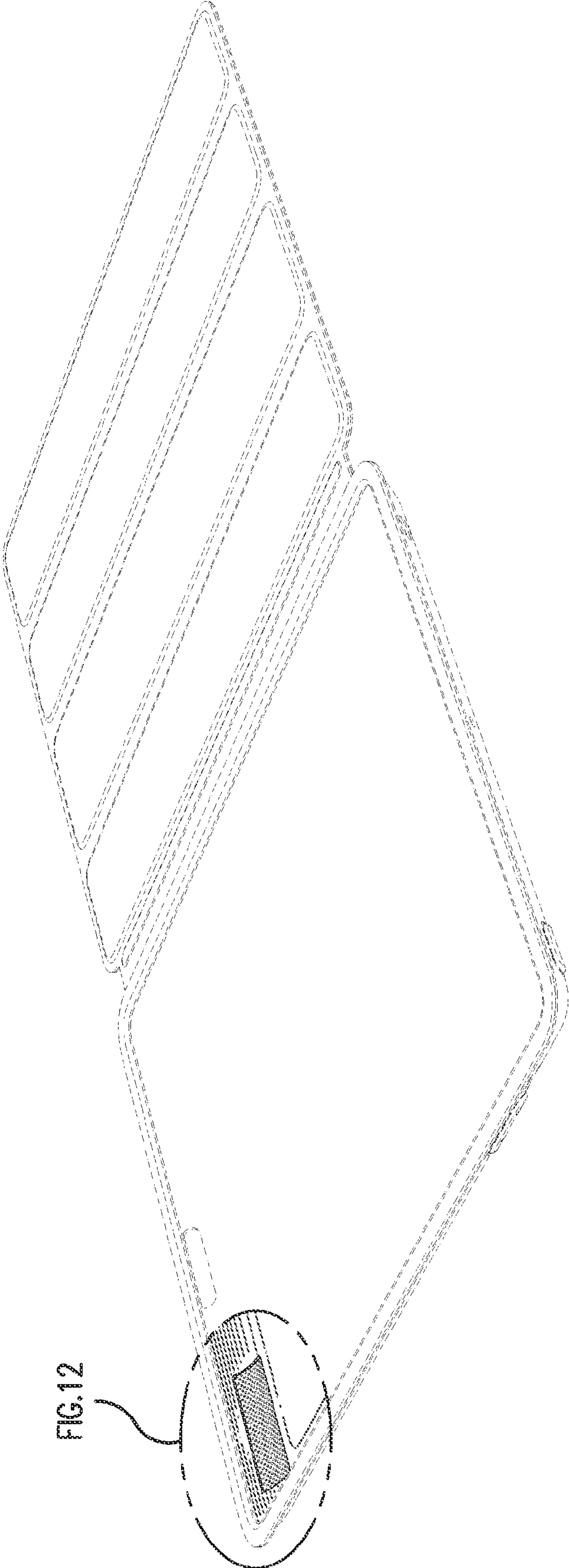


FIG. 1

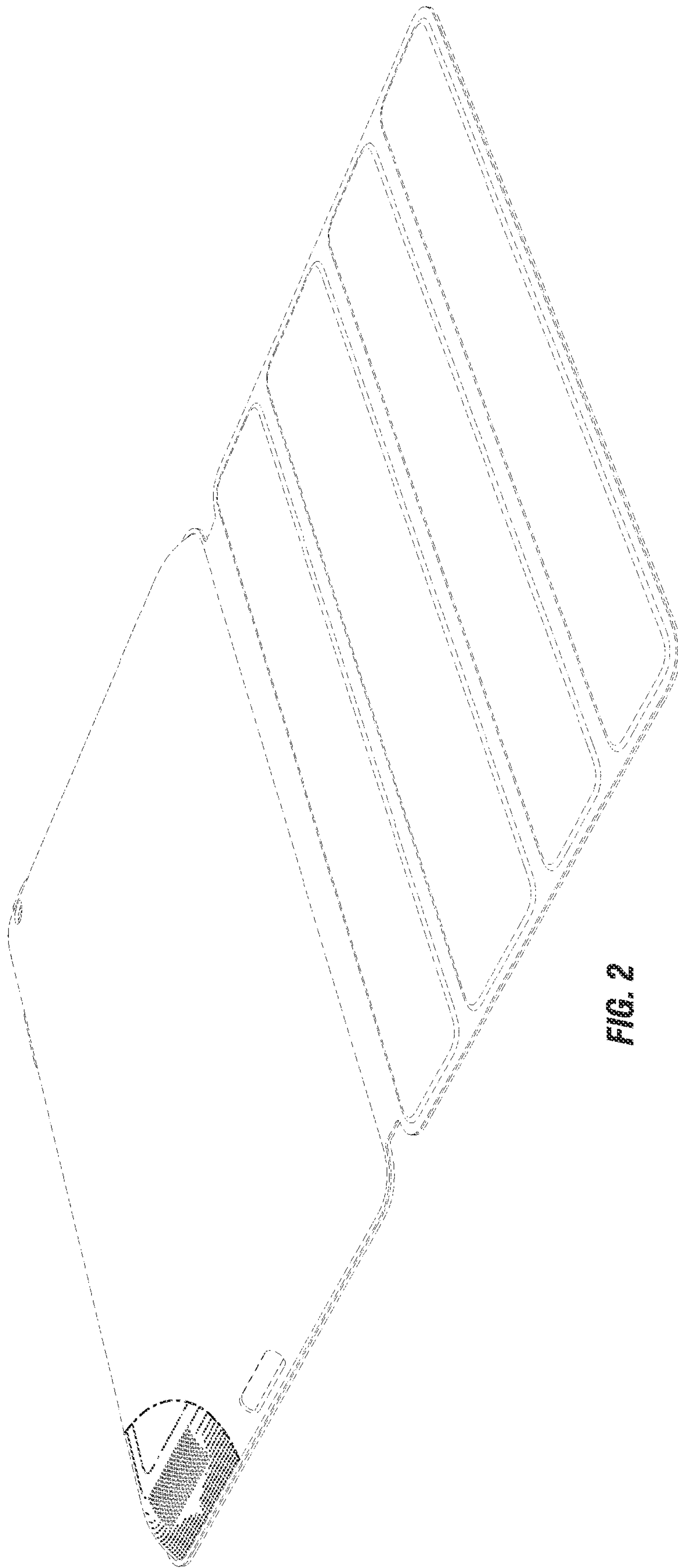


FIG. 2

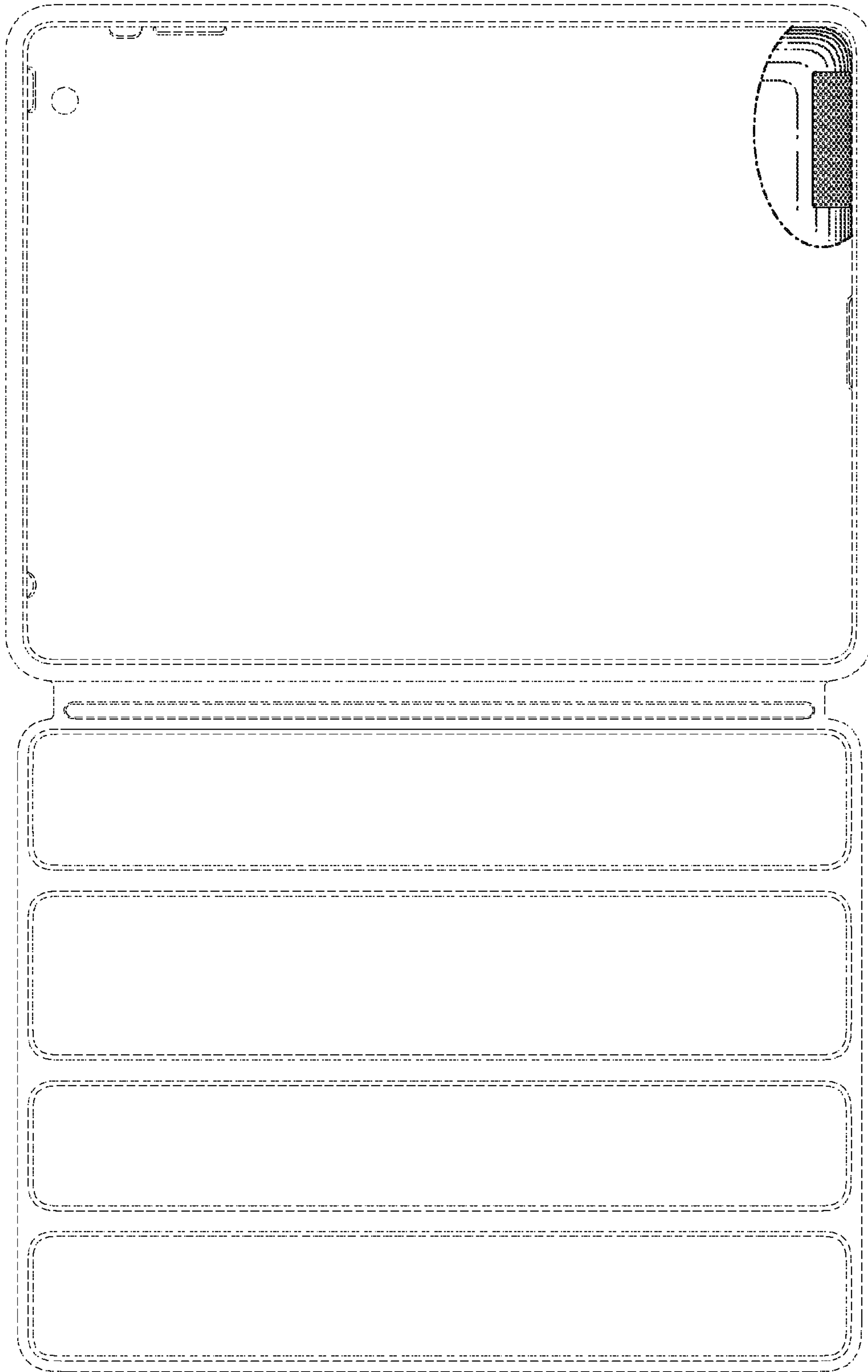


FIG. 3

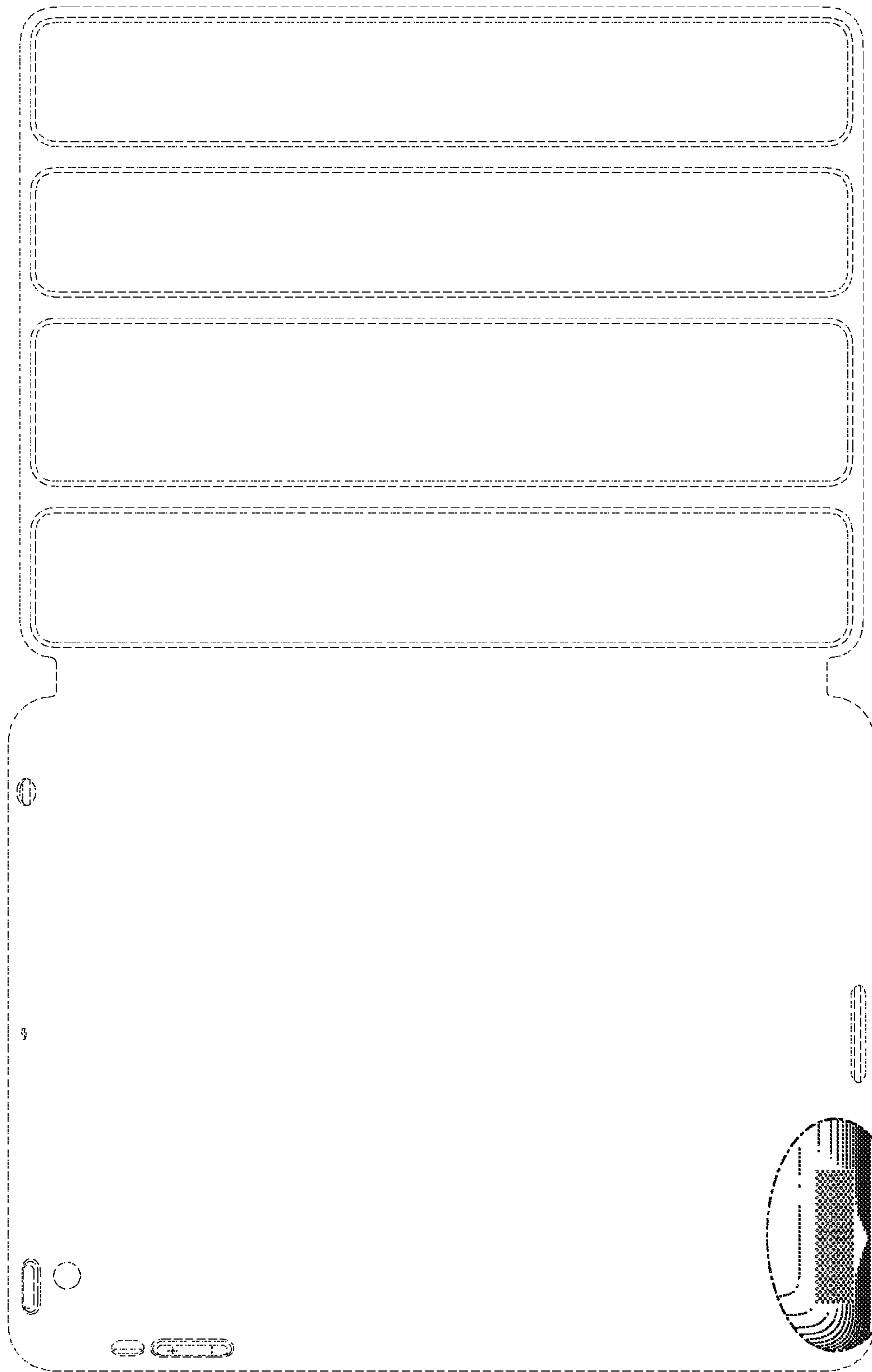


FIG. 4

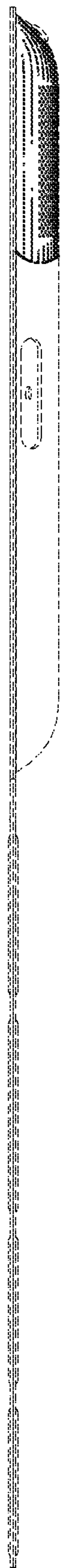


FIG. 5



FIG. 6



FIG. 7



FIG. 8

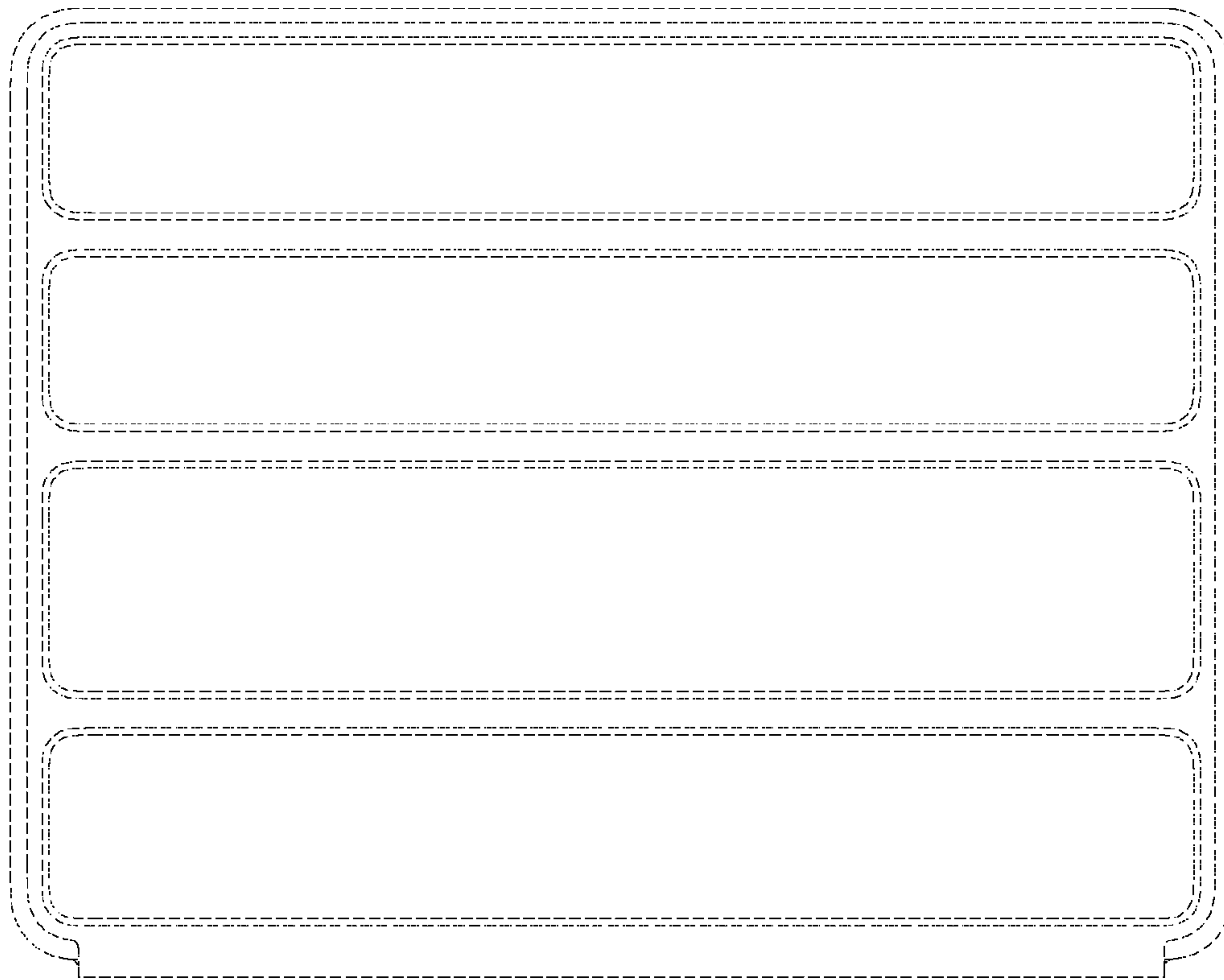


FIG. 9

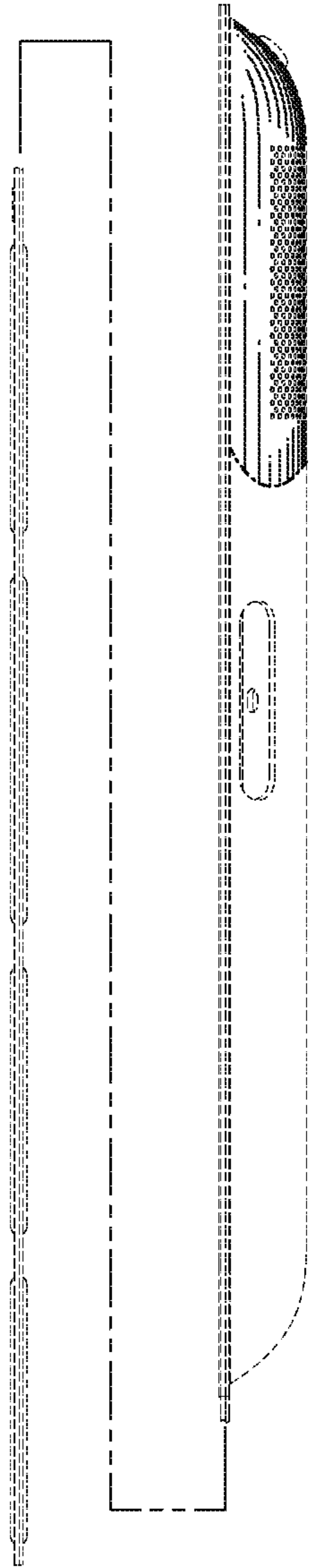


FIG. 10

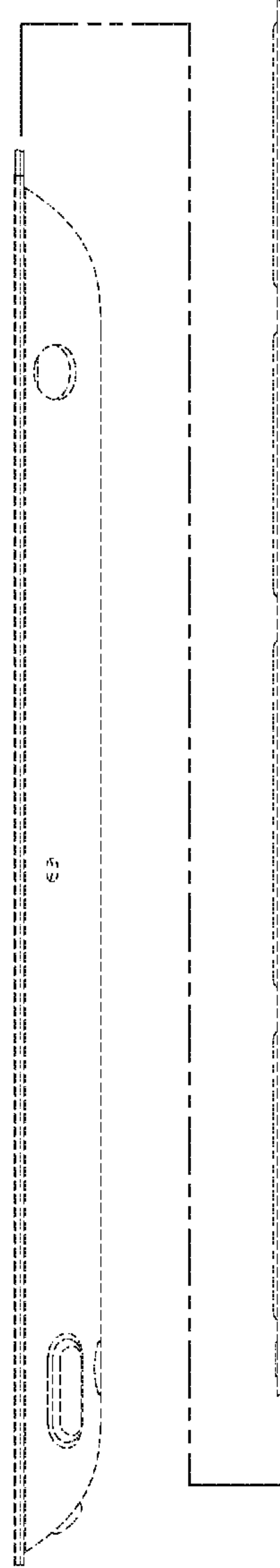


FIG. 11

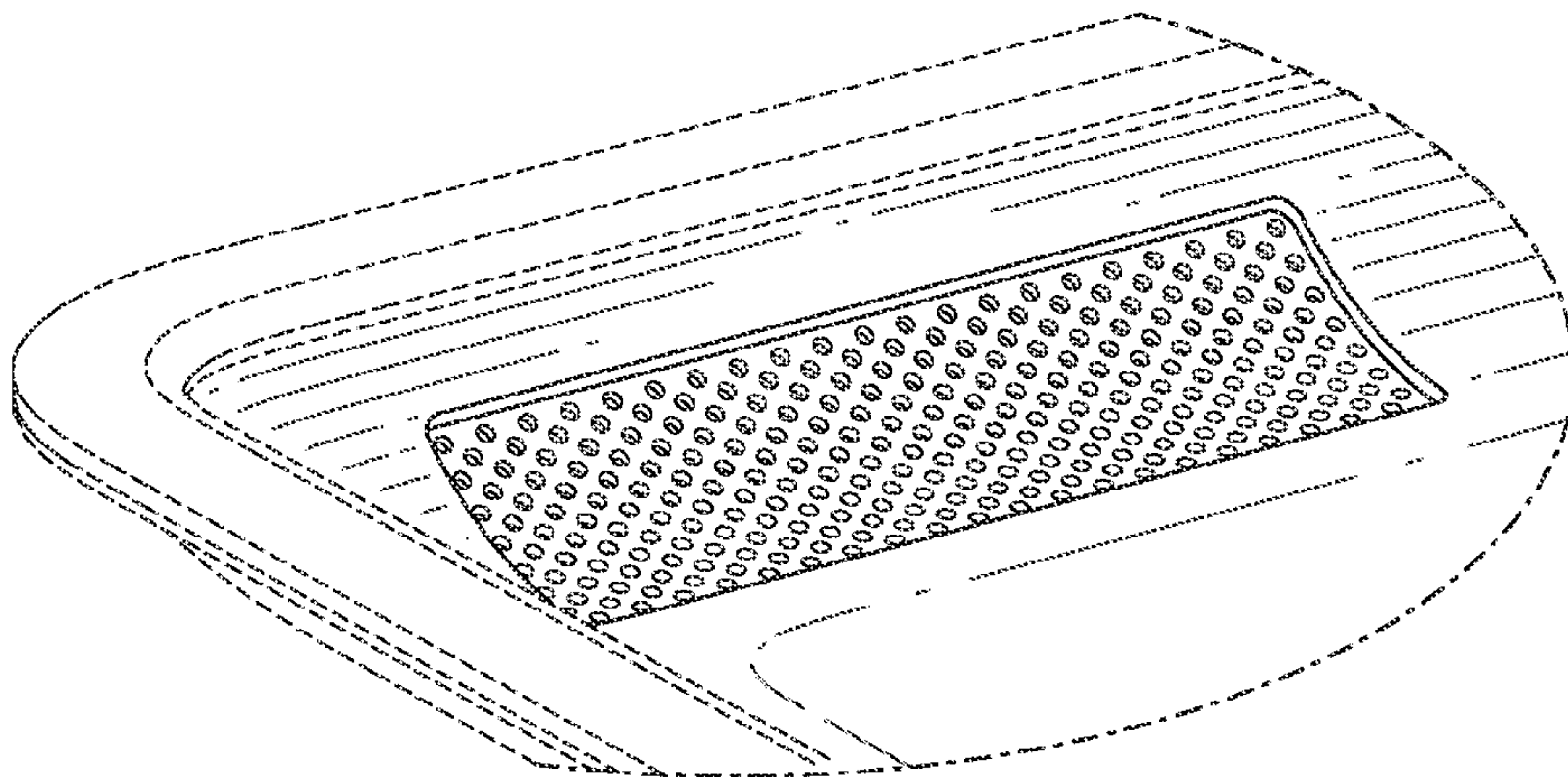


FIG. 12

UNITED STATES PATENT AND TRADEMARK OFFICE
CERTIFICATE OF CORRECTION

PATENT NO. : D686,627 S
APPLICATION NO. : 29/415277
DATED : July 23, 2013
INVENTOR(S) : Akana et al.

Page 1 of 1

It is certified that error appears in the above-identified patent and that said Letters Patent is hereby corrected as shown below:

On Page 2, Item (57), Description, line 18, change “The dot-dash-dot lines in FIGS. **1, 2, 3, 4,**
5, 10, and **12** show an unclaimed boundary, and form no part of the claimed design.” to
--The dot-dash-dot lines in FIGS. **2, 3, 4, 5, 10,** and **12** show an unclaimed boundary, and form no part
of the claimed design.--.

Signed and Sealed this
Third Day of September, 2013



Teresa Stanek Rea
Acting Director of the United States Patent and Trademark Office