



US00D686624S

(12) **United States Design Patent**  
**Kuehn et al.**

(10) **Patent No.:** **US D686,624 S**  
(45) **Date of Patent:** **\*\* Jul. 23, 2013**

- (54) **LATCH FOR A SERVER**
- (75) Inventors: **Keith J. Kuehn**, Magnolia, TX (US);  
**Brooks Vaughan**, Tomball, TX (US)
- (73) Assignee: **Hewlett-Packard Development Company, L.P.**, Houston, TX (US)
- (\*\*) Term: **14 Years**
- (21) Appl. No.: **29/404,536**
- (22) Filed: **Oct. 21, 2011**
- (51) **LOC (9) Cl.** ..... **14-02**
- (52) **U.S. Cl.**  
USPC ..... **D14/432**
- (58) **Field of Classification Search**  
USPC ..... D14/300–302, 308–313, 314, 348,  
D14/353–355, 432, 439–446; 361/679.02,  
361/679.31, 679.5, 690, 694, 679.23, 801,  
361/802; 312/332.1, 334.1; D19/81  
See application file for complete search history.

(56) **References Cited**

U.S. PATENT DOCUMENTS

4,184,705	A *	1/1980	Little	.....	292/247
5,794,994	A *	8/1998	Miyagawa et al.	.....	292/336.3
6,666,484	B1 *	12/2003	Branch et al.	.....	292/128
6,746,264	B1 *	6/2004	Branch et al.	.....	439/352
D498,467	S *	11/2004	Brogle et al.	.....	D13/199
6,918,274	B2 *	7/2005	Gladden et al.	.....	70/208
6,929,403	B1 *	8/2005	Arciniegas et al.	.....	385/55
D519,511	S *	4/2006	Hung et al.	.....	D14/432
D540,806	S	4/2007	Wang et al.		
D541,286	S	4/2007	McClelland, II et al.		
7,201,407	B2 *	4/2007	Schlack	.....	292/139

D578,127	S *	10/2008	Crisp et al.	.....	D14/432
D598,024	S *	8/2009	Scott et al.	.....	D14/432
D622,126	S *	8/2010	Burns	.....	D8/302
7,930,812	B2 *	4/2011	Curnalia et al.	.....	29/426.6
D645,865	S *	9/2011	Diehl	.....	D14/432
8,191,936	B2 *	6/2012	Cole et al.	.....	292/44
D668,253	S *	10/2012	Yokoyama	.....	D14/432
8,315,049	B2 *	11/2012	Anguiano-Wehde et al.	.....	361/679.55
8,369,094	B2 *	2/2013	McLean et al.	.....	361/747
2010/0067199	A1 *	3/2010	Chen	.....	361/747
2010/0134987	A1 *	6/2010	Furholzer	.....	361/747
2010/0277875	A1 *	11/2010	Moorehead et al.	.....	361/747

\* cited by examiner

*Primary Examiner* — Austin Murphy

(57) **CLAIM**

The ornamental design for a “latch for a server,” as shown and described.

**DESCRIPTION**

FIG. 1 is a top, perspective view of two example latches shown mounted to an example server. The two latches are identical.

FIG. 2 is a front, right view of the example latches and server of FIG. 1.

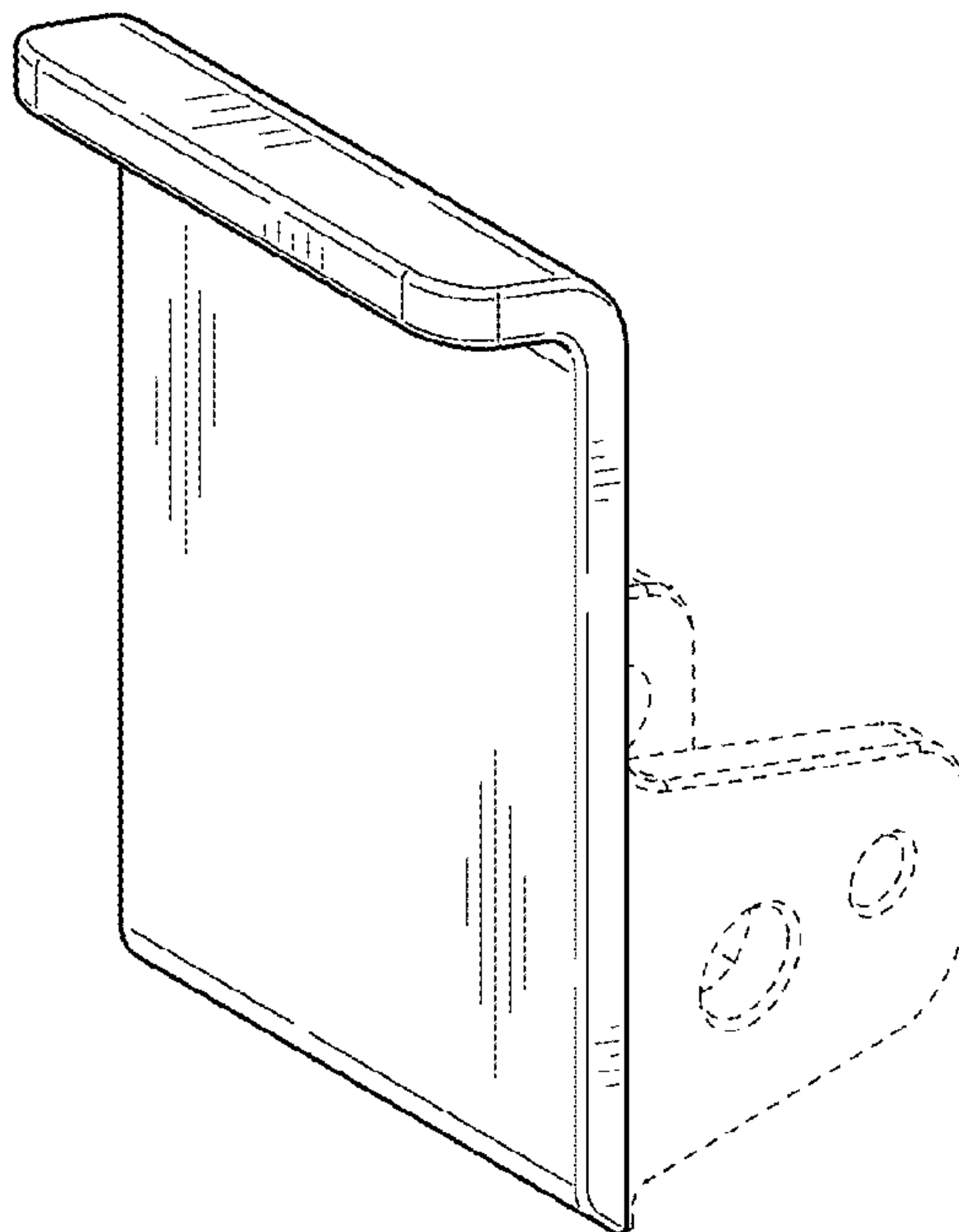
FIG. 3 is a top perspective view of either of the example latches of FIG. 1.

FIG. 4 is a front view of the example latch of FIG. 3.

FIG. 5 is a right side view of the example latch of FIG. 3; and, FIG. 6 is a top view of the example latch of FIG. 3.

The features shown in broken lines are for illustrative purposes only and do not form part of the claimed design.

**1 Claim, 3 Drawing Sheets**



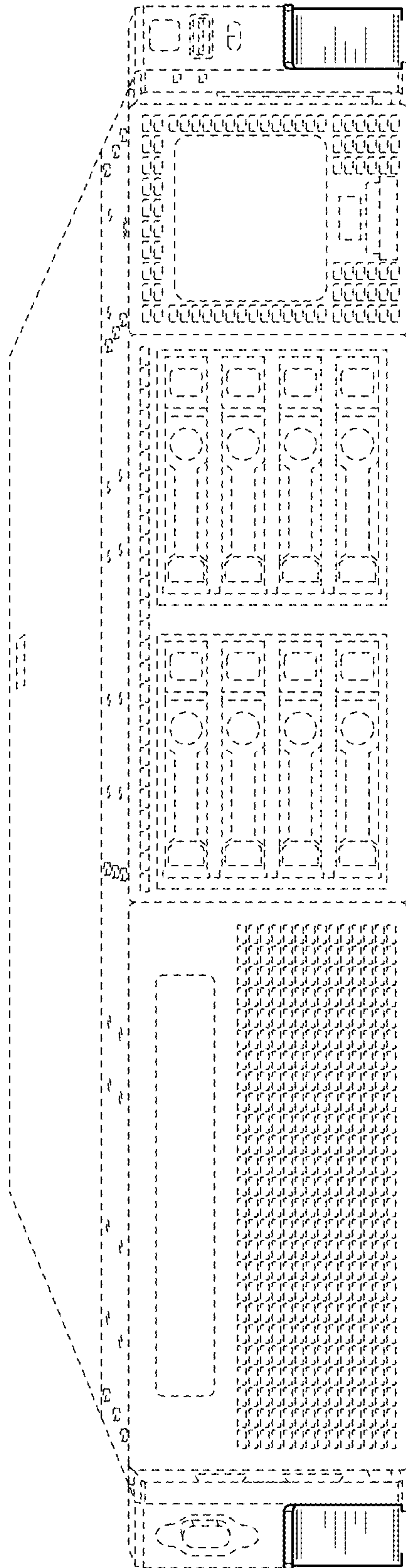


FIG. 1

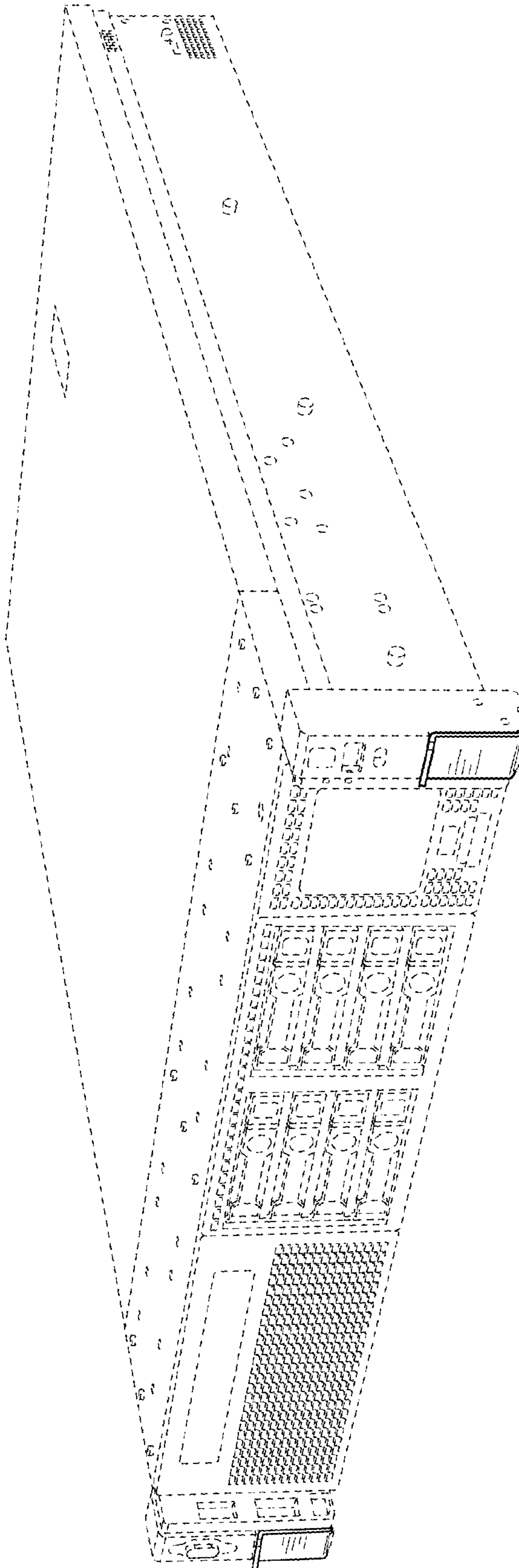


FIG. 2

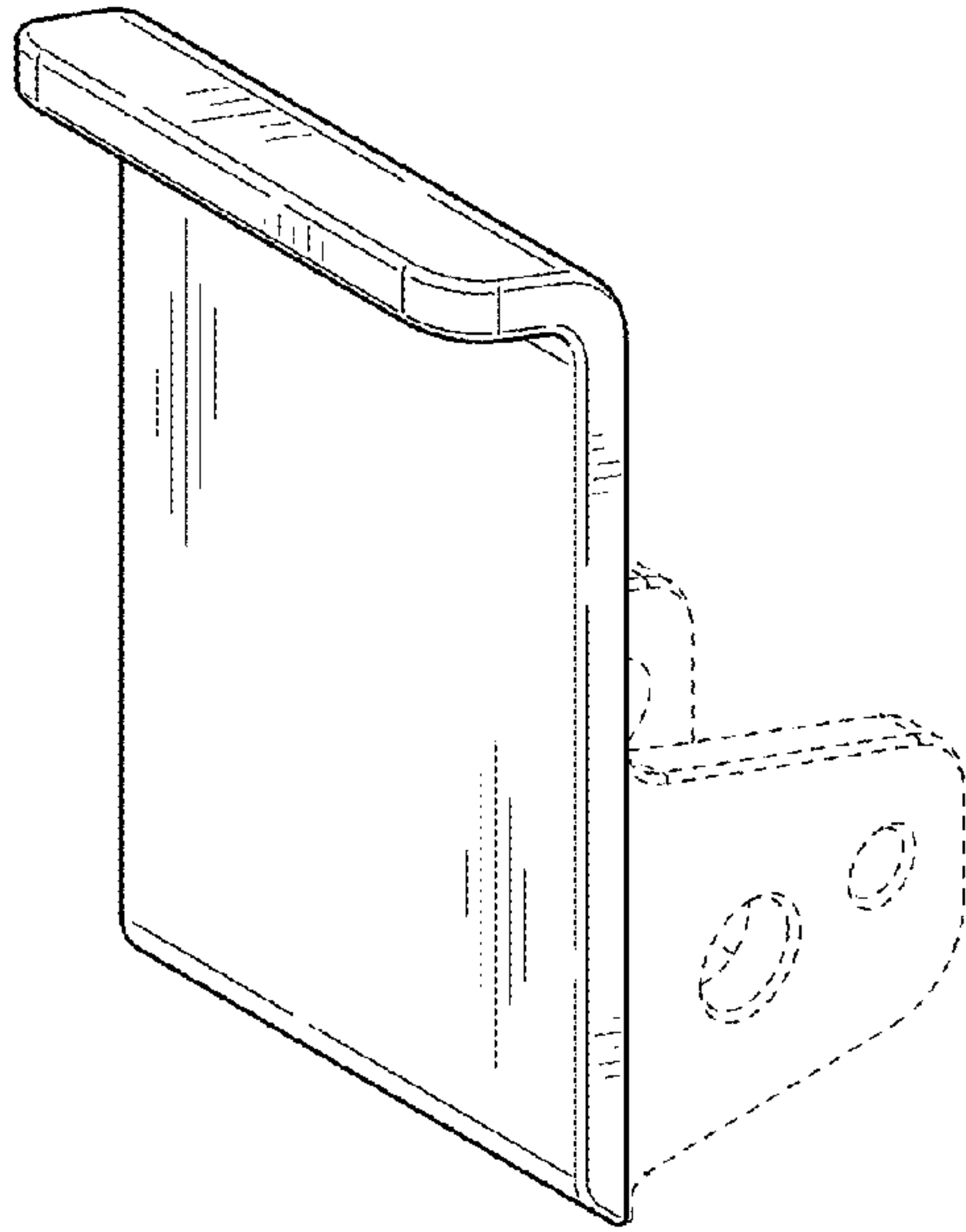


FIG. 3

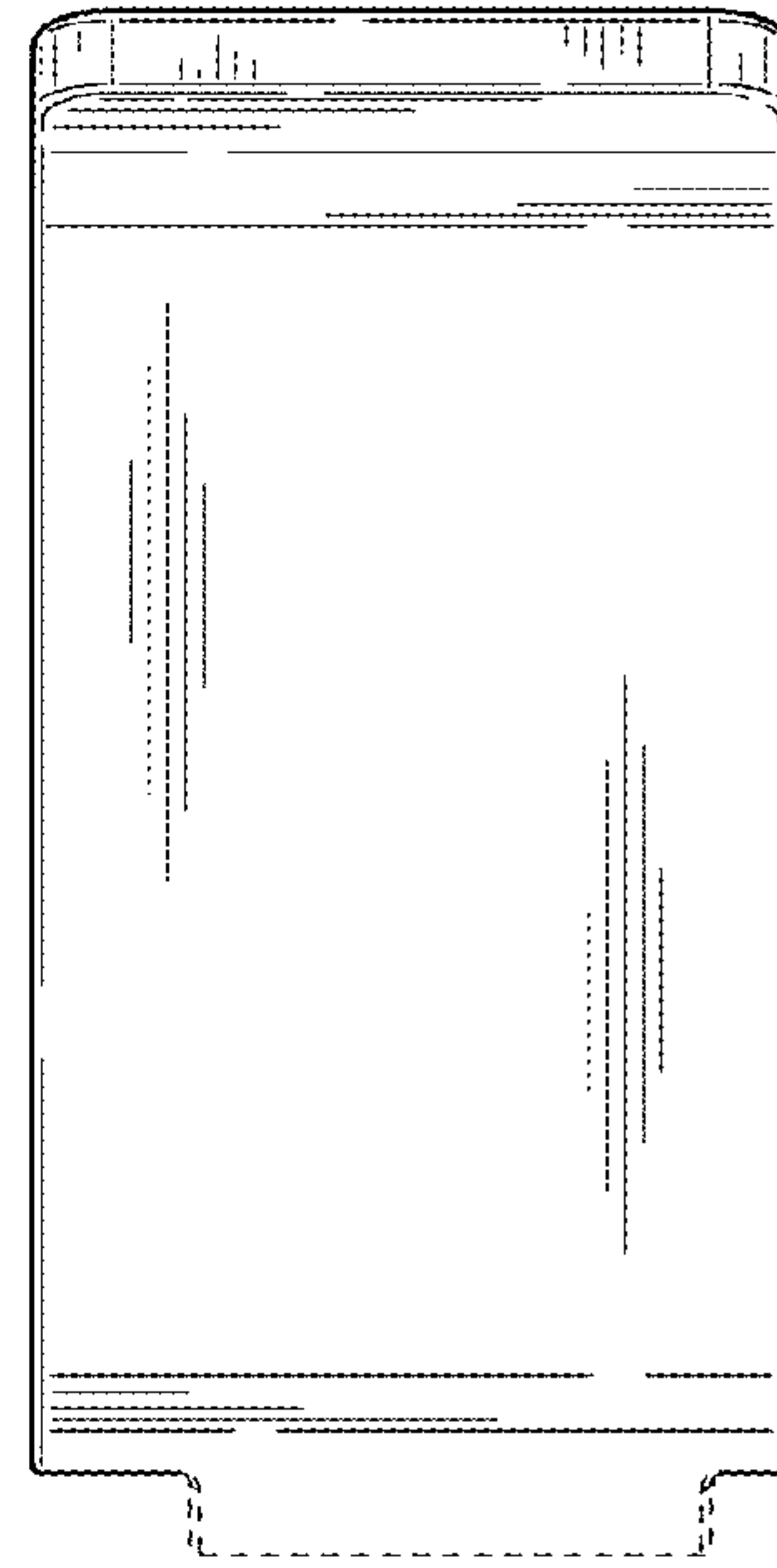


FIG. 4

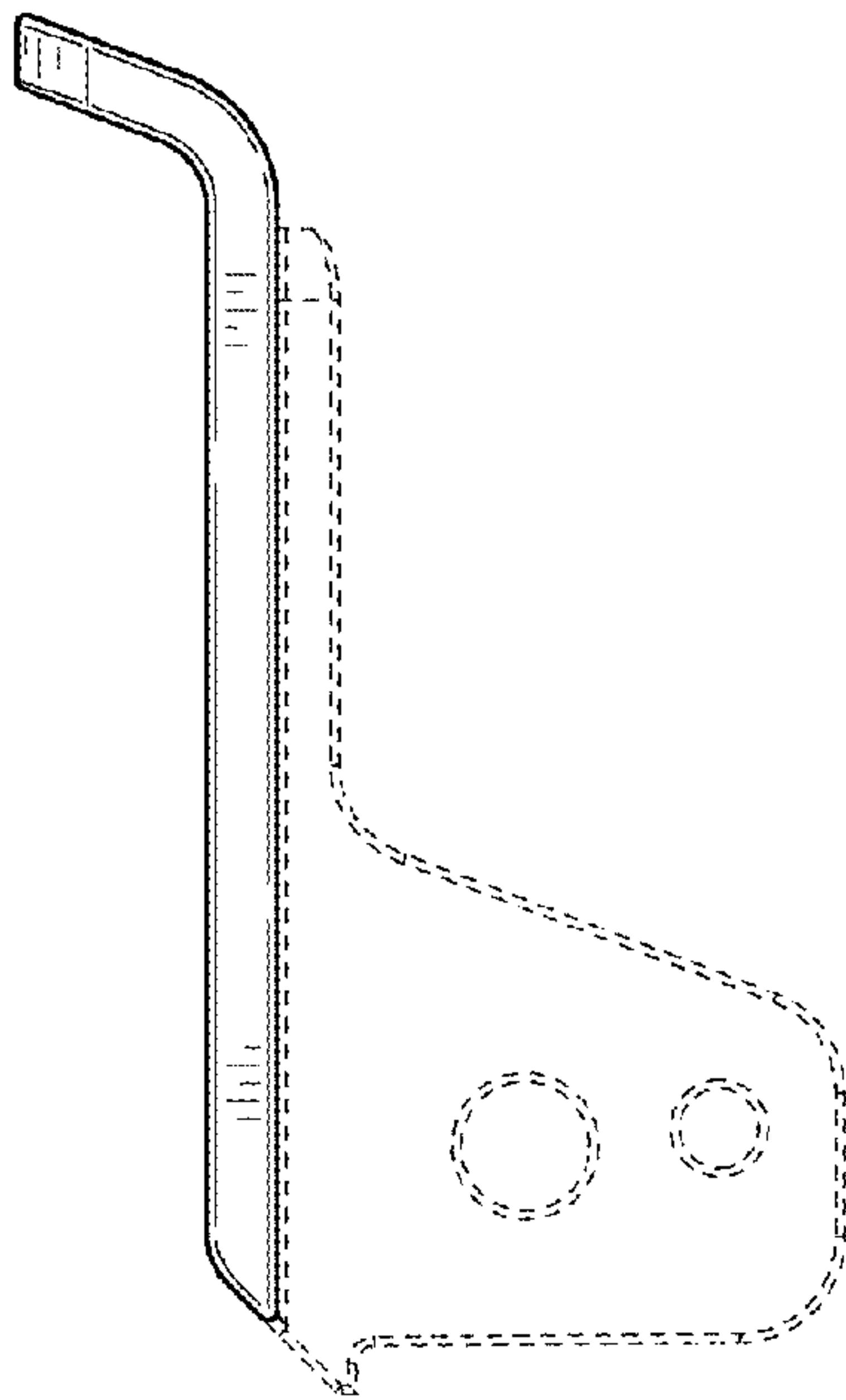


FIG. 5

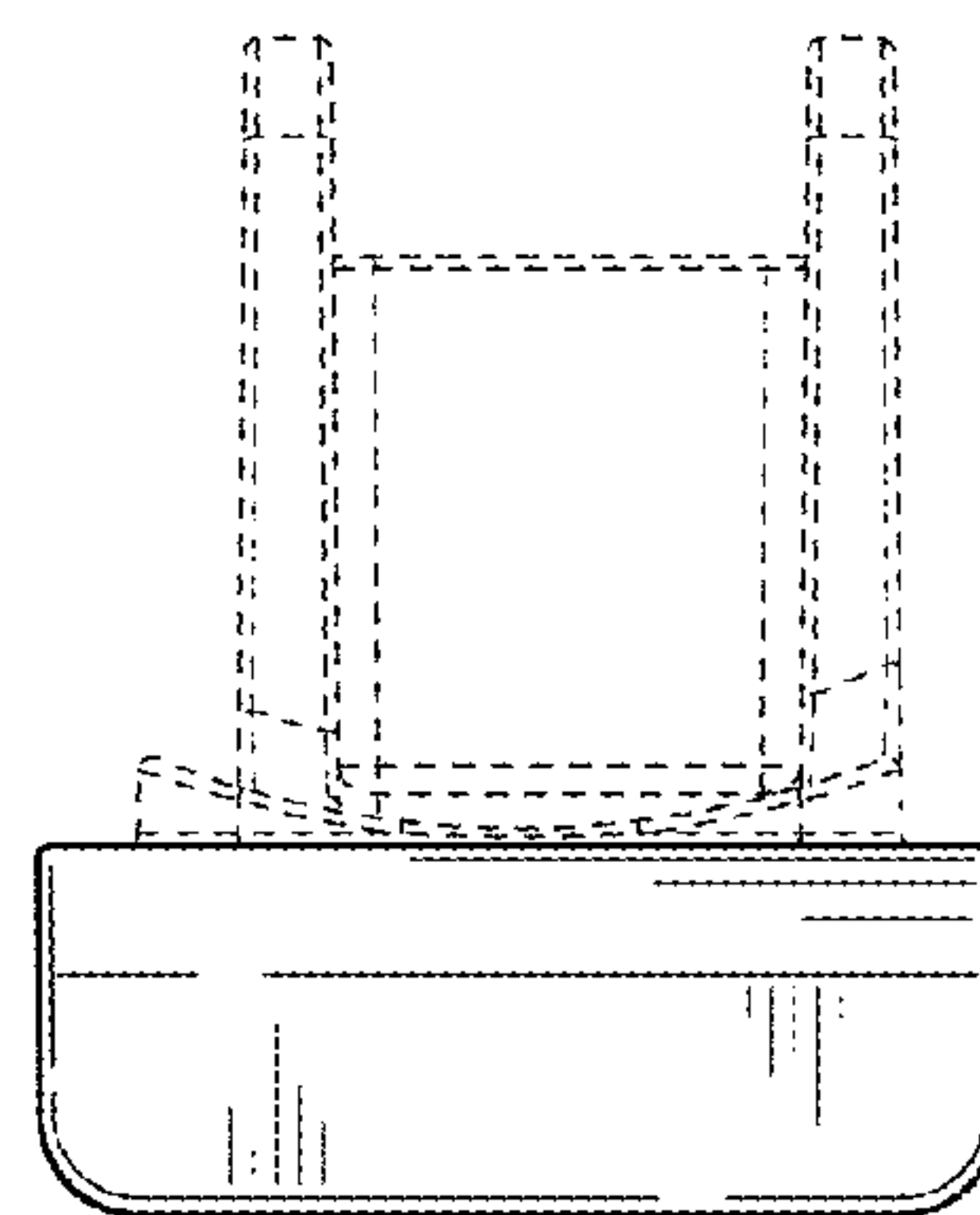


FIG. 6