



US00D686623S

(12) **United States Design Patent**
Bennett, Jr. et al.

(10) **Patent No.:** **US D686,623 S**
(45) **Date of Patent:** **** Jul. 23, 2013**

- (54) **VIEWING AID FOR A VISUAL CONTENT SOURCE**
- (75) Inventors: **James F. Bennett, Jr.**, Nantucket, MA (US); **Wa-Ming Law**, Yuen Long (HK)
- (73) Assignee: **Verso Brand Holdings, LLC**, New York, NY (US)
- (**) Term: **14 Years**
- (21) Appl. No.: **29/387,370**
- (22) Filed: **Mar. 11, 2011**
- (51) **LOC (9) Cl.** **14-02**
- (52) **U.S. Cl.**
USPC **D14/432**
- (58) **Field of Classification Search**
USPC D14/356–358, 383–385, 420, 426, D14/427, 432–439, 447, 453, 454, 217, 253, D14/299; D13/107, 108, 133, 146, 147, 152, D13/154, 156, 158, 162, 162.1, 168, 173, D13/177; D8/382, 394, 349; D19/86, 99; D3/318, 328; 248/229.26, 231.81; 24/3.6, 24/3.11, 3.12, 339; D6/329, 340, 349, 355, D6/406.1, 406.3, 449, 477, 483, 485, 486; 362/85, 98
See application file for complete search history.

(56) **References Cited**

U.S. PATENT DOCUMENTS

2,561,744	A	7/1951	Langdon et al.	
5,448,457	A	9/1995	Adjeleian	
5,460,346	A	10/1995	Hirsch	
5,695,271	A	12/1997	Zeller	
D414,165	S *	9/1999	Klein	D14/432
6,022,119	A *	2/2000	Booty, Jr.	362/98
6,729,739	B2 *	5/2004	Siegel et al.	362/85
6,736,531	B2	5/2004	Wallach	
7,390,105	B2	6/2008	Nelson et al.	
7,396,140	B2 *	7/2008	Cai	362/167
D617,273	S *	6/2010	Sakai	D13/133

7,731,392	B2 *	6/2010	Parker et al.	362/249.03
D650,408	S *	12/2011	Kim et al.	D16/202
2003/0227770	A1	12/2003	Chen et al.	
2008/0137326	A1	6/2008	Levine	
2008/0298083	A1	12/2008	Watson et al.	

OTHER PUBLICATIONS

International Search Report for PCT/US2011/028146, mailing date May 6, 2011, 16 pages.

* cited by examiner

Primary Examiner — Austin Murphy

(74) *Attorney, Agent, or Firm* — Seyfarth Shaw, LLP

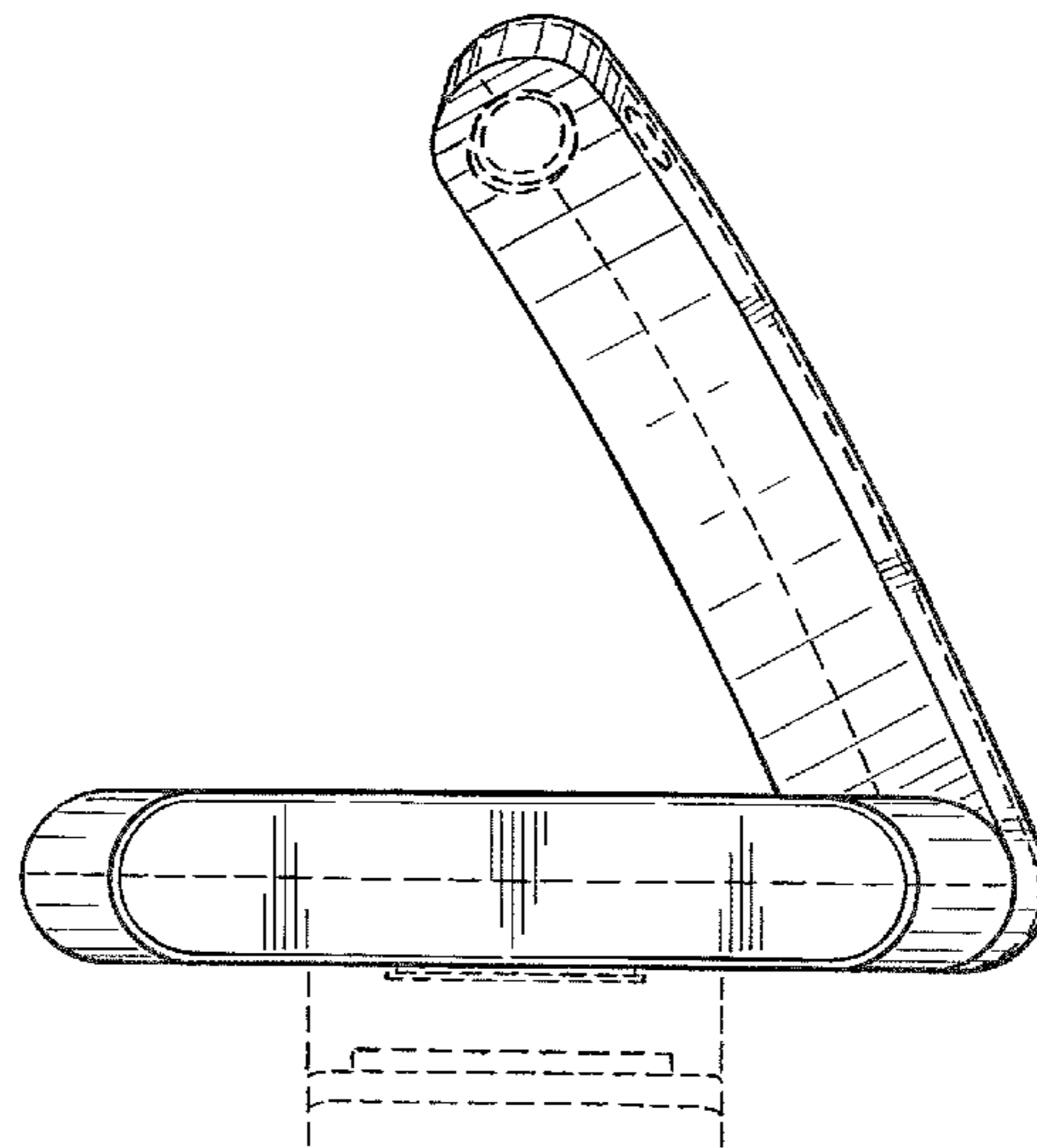
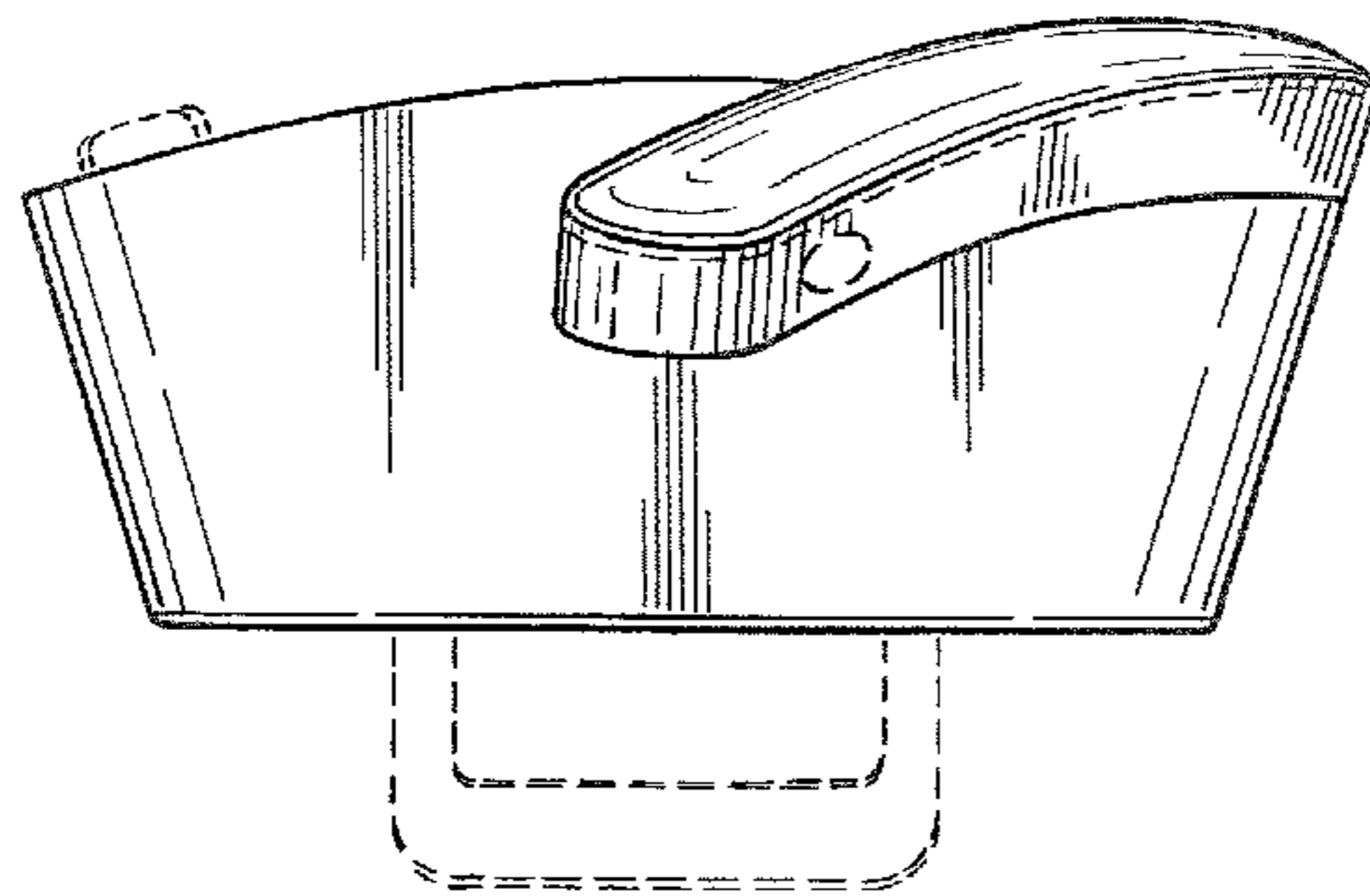
(57) **CLAIM**

The ornamental design for a viewing aid for a visual content source, as shown and described.

DESCRIPTION

FIG. 1 is a top, front right side perspective view of the viewing aid for a visual content source shown in an open position and coupled to an e-reader as in use;
 FIG. 2 is a top plan view of the open viewing aid by itself;
 FIG. 3 is a front elevational view thereof;
 FIG. 4 is a left side elevational view thereof;
 FIG. 5 is a right side elevational view thereof;
 FIG. 6 is a rear elevational view thereof;
 FIG. 7 is a bottom plan view thereof;
 FIG. 8 is a top plan view of the viewing aid in a closed position;
 FIG. 9 is a front elevational view thereof;
 FIG. 10 is a left side elevational view thereof, the right side view being a mirror image thereof;
 FIG. 11 is a rear elevational view thereof; and,
 FIG. 12 is a bottom plan view thereof.
 The broken lines shown in the drawings represent portions of the viewing aid for a visual content source that form no part of the claimed design.

1 Claim, 7 Drawing Sheets



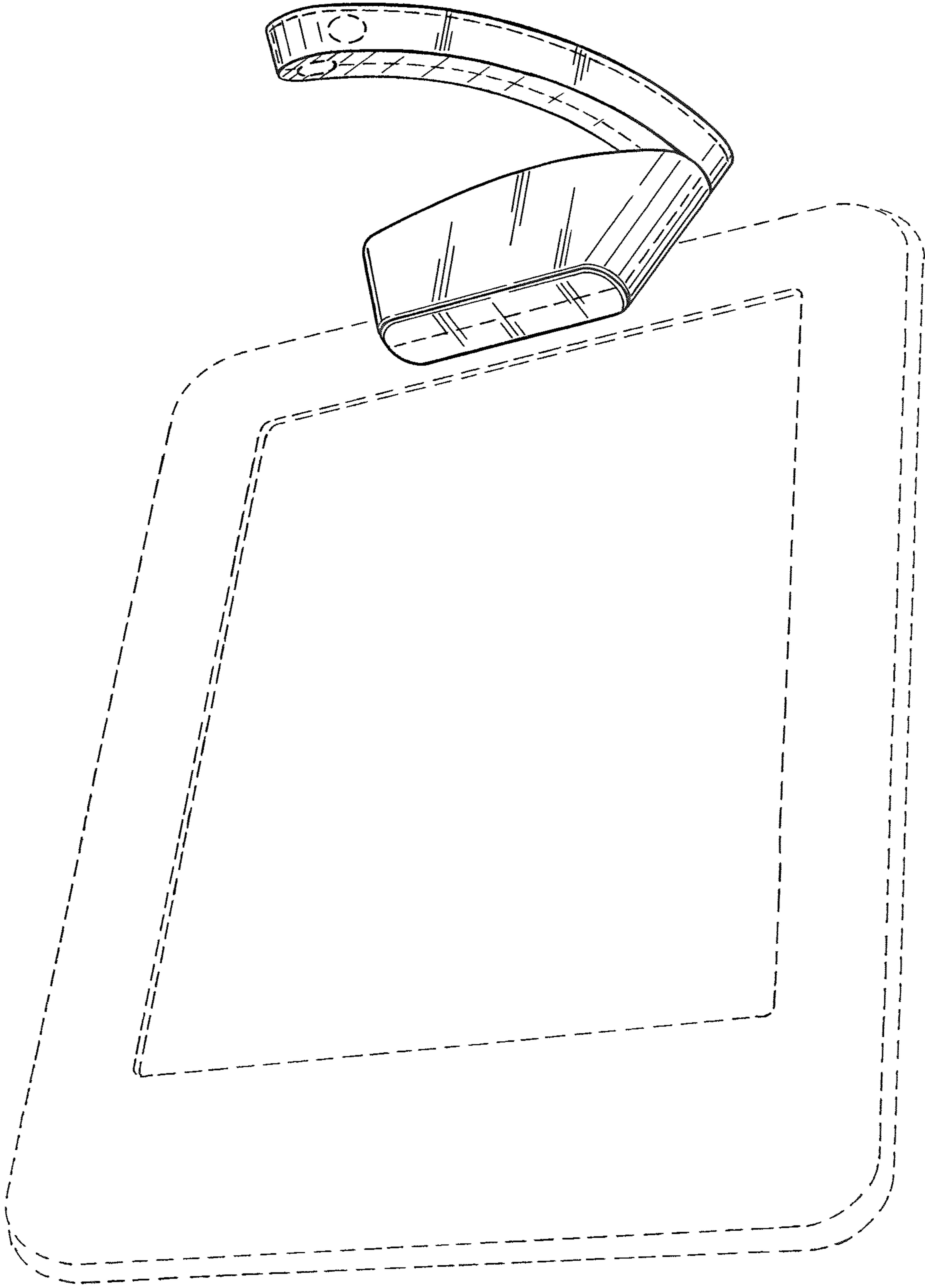


Fig. 1

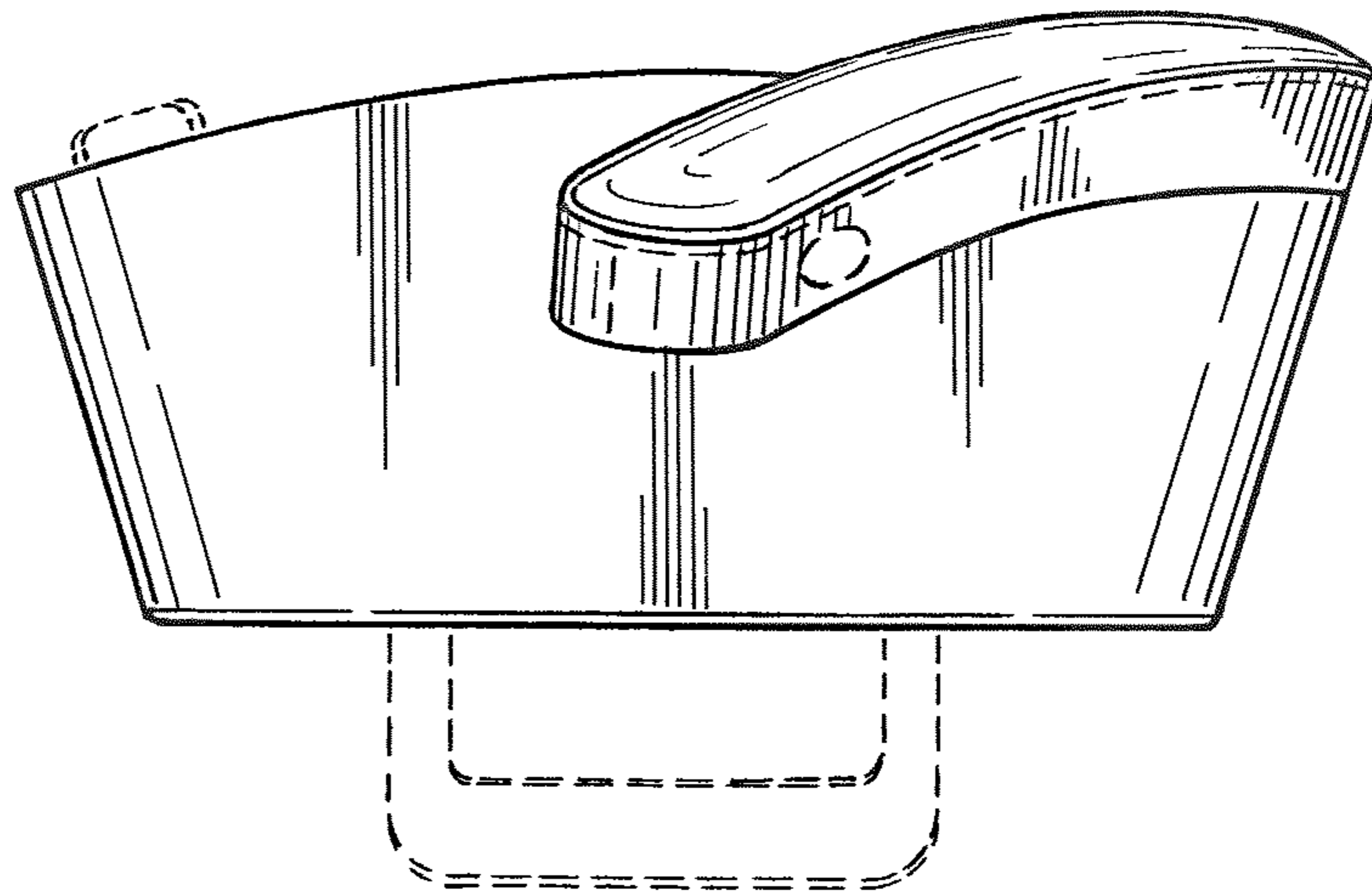


Fig. 2

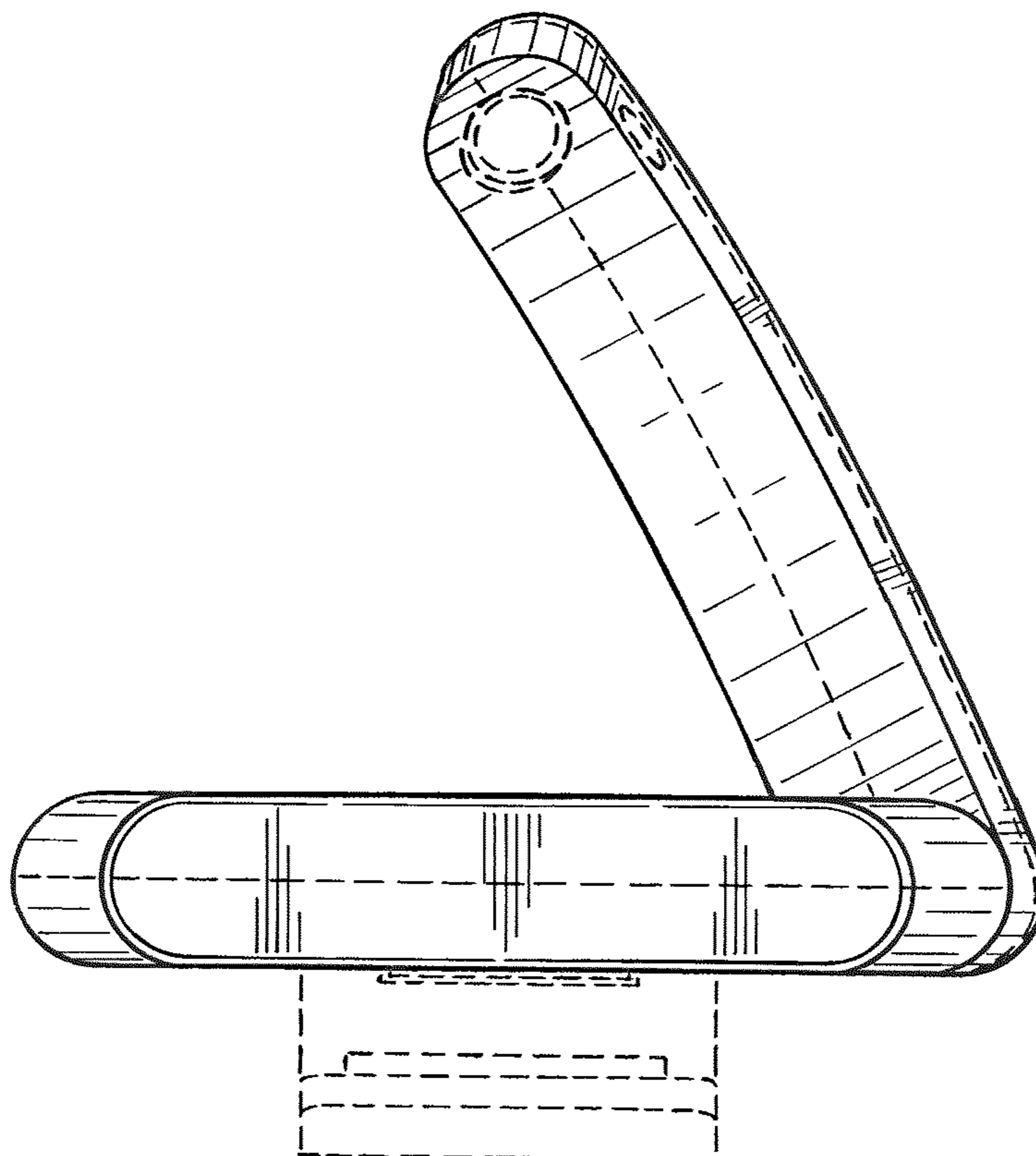


Fig. 3

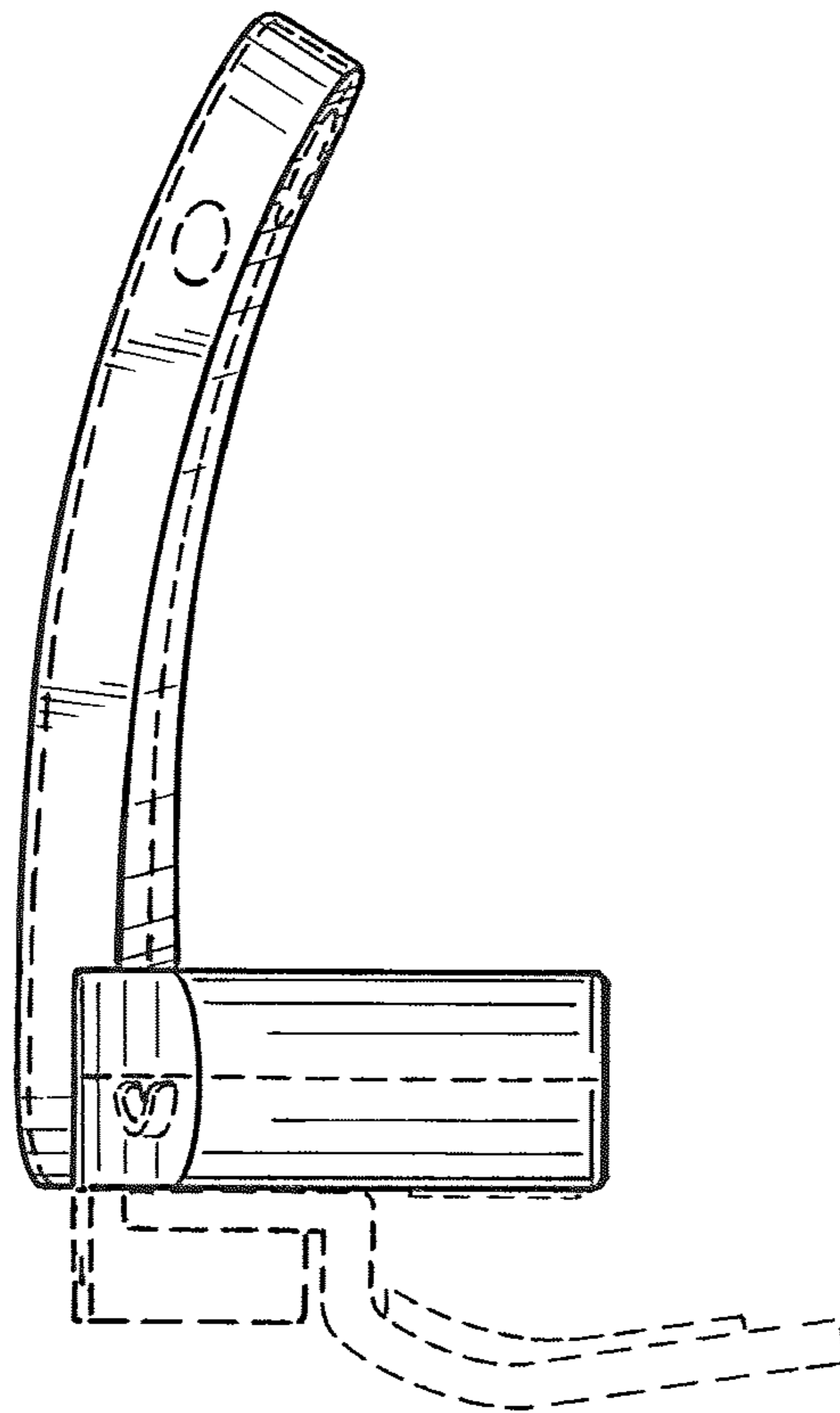


Fig. 4

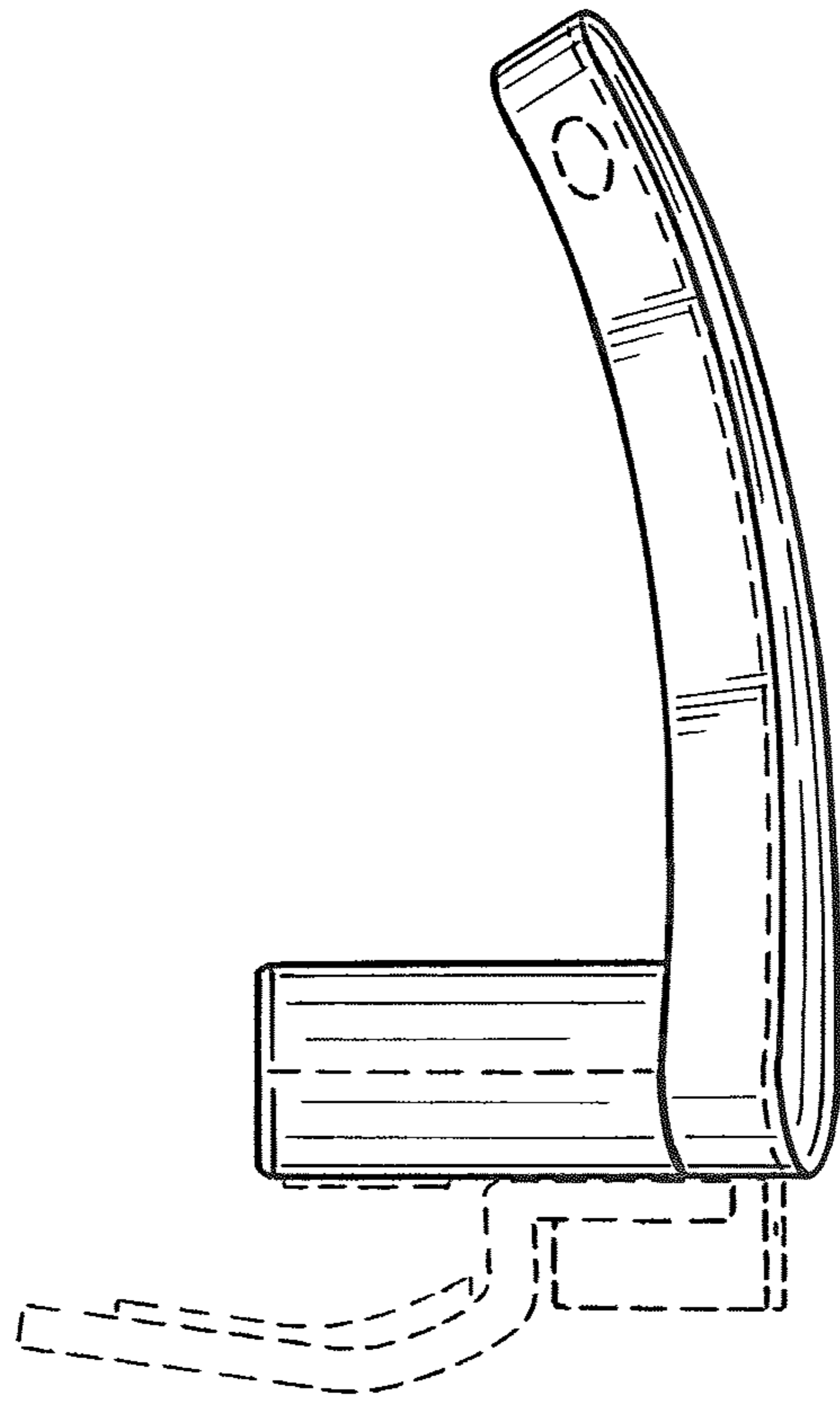


Fig. 5

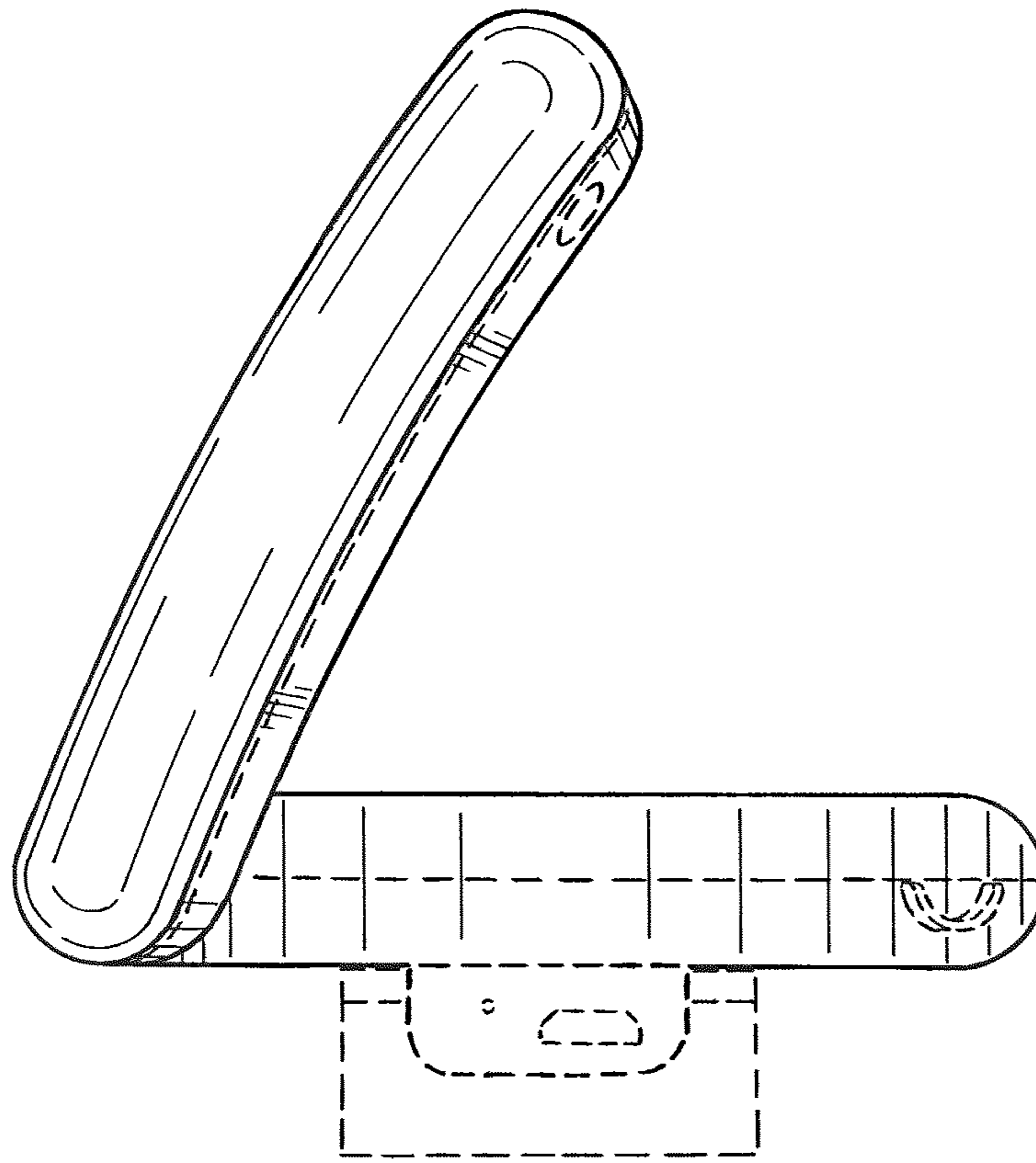


Fig. 6

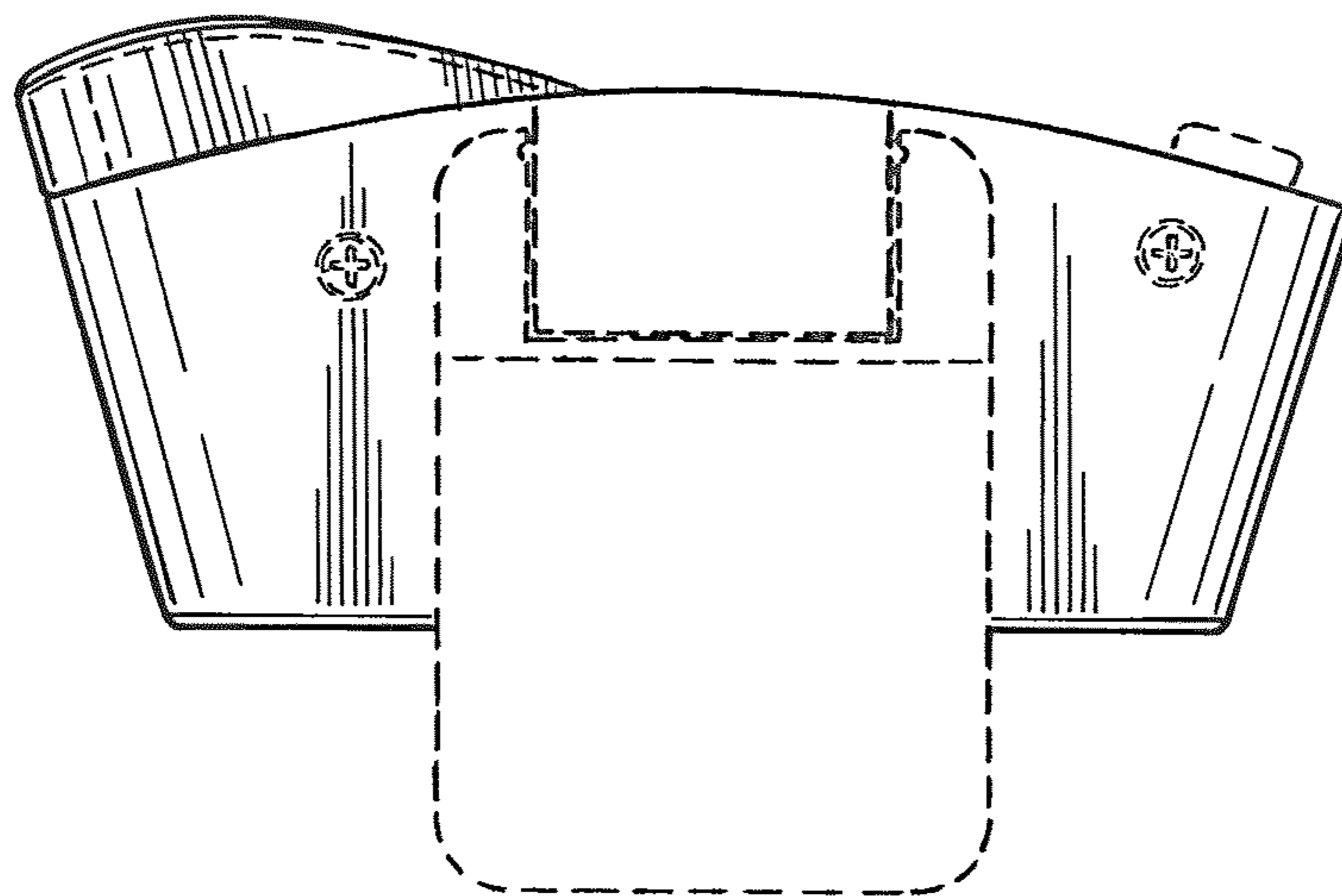


Fig. 7

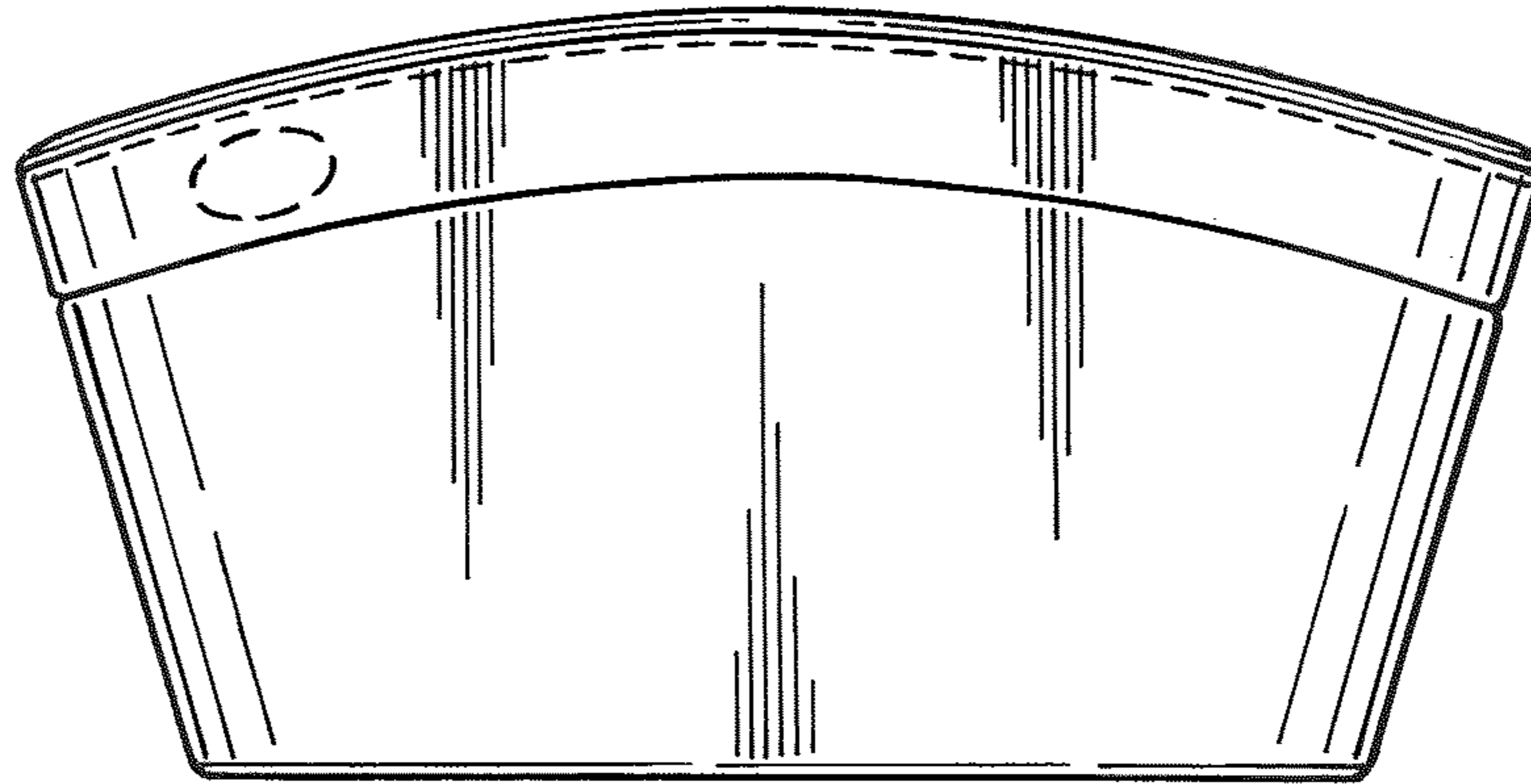


Fig. 8

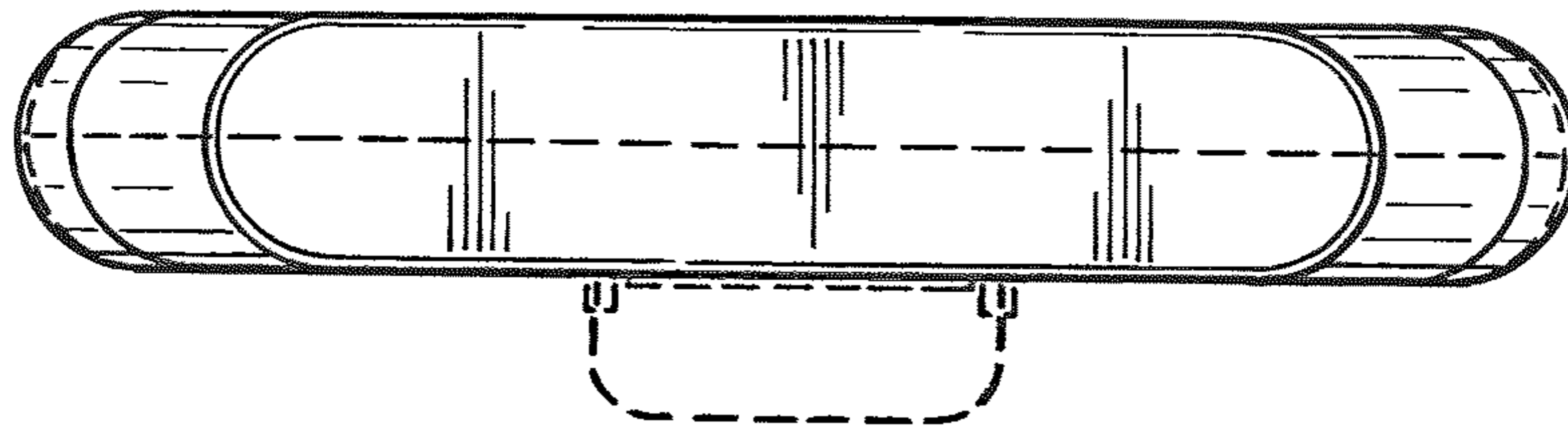


Fig. 9

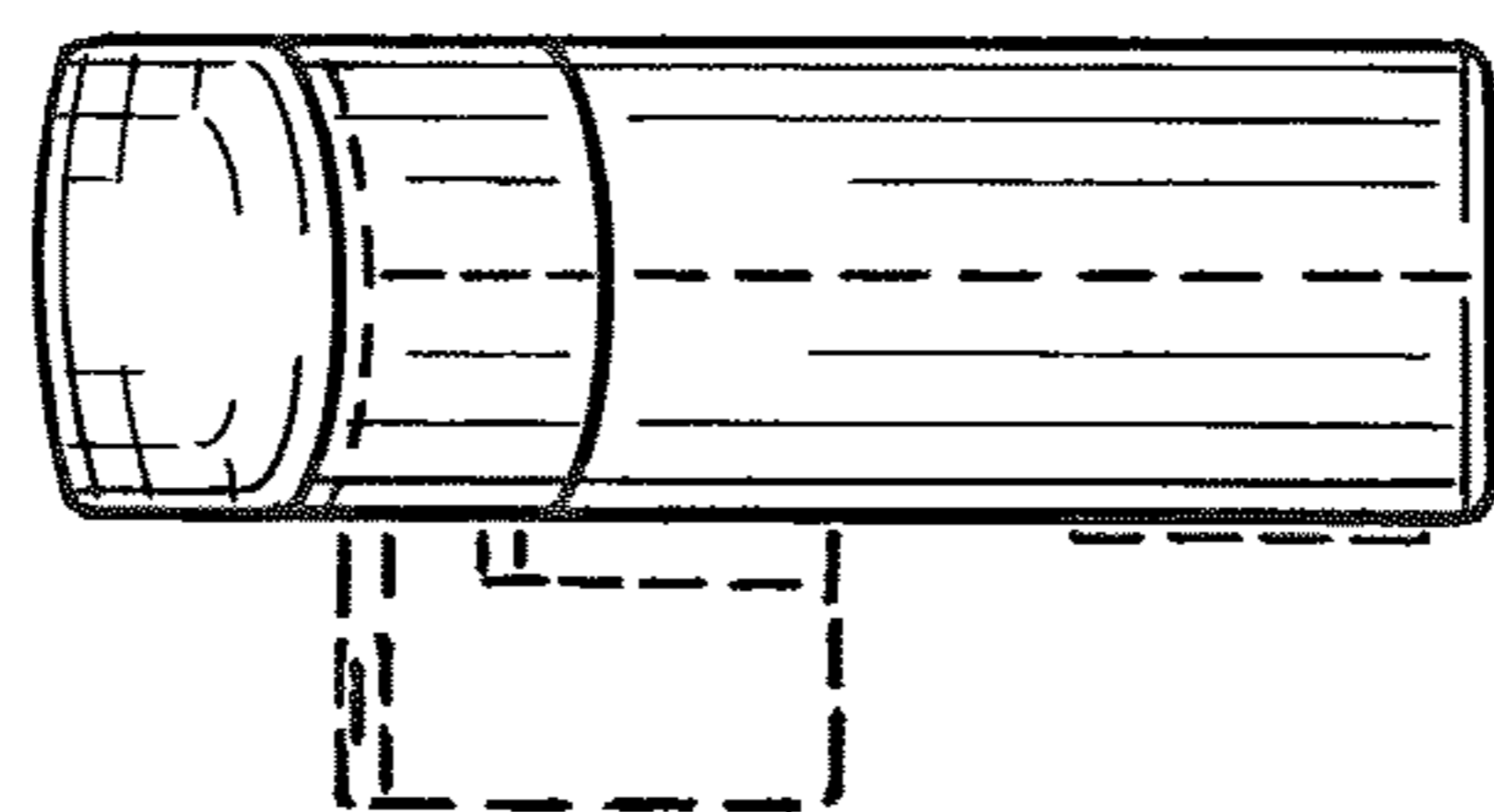


Fig. 10

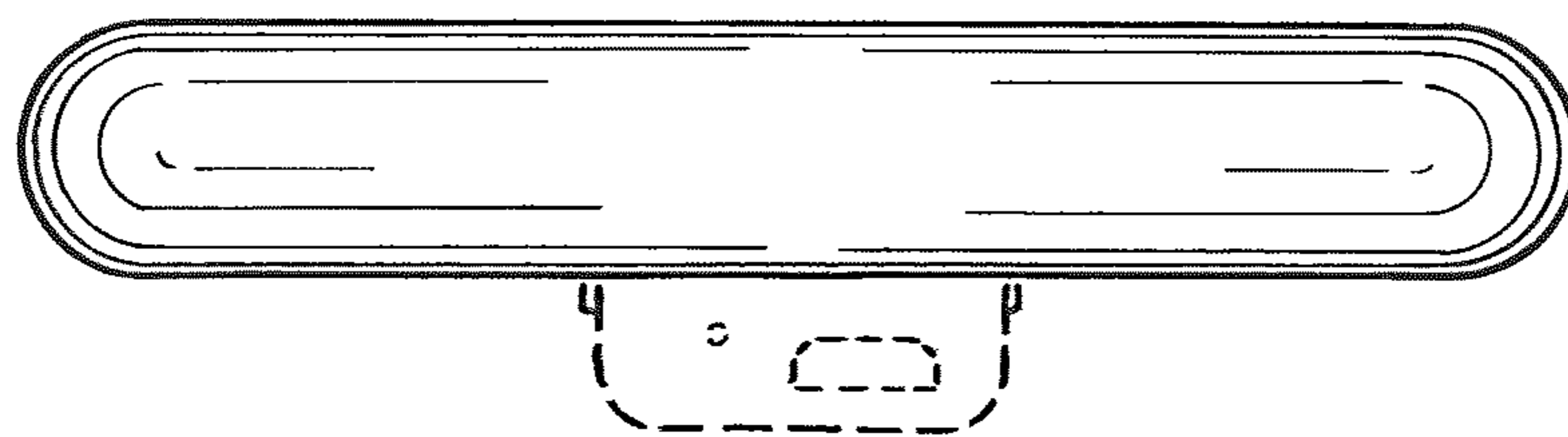


Fig. 11

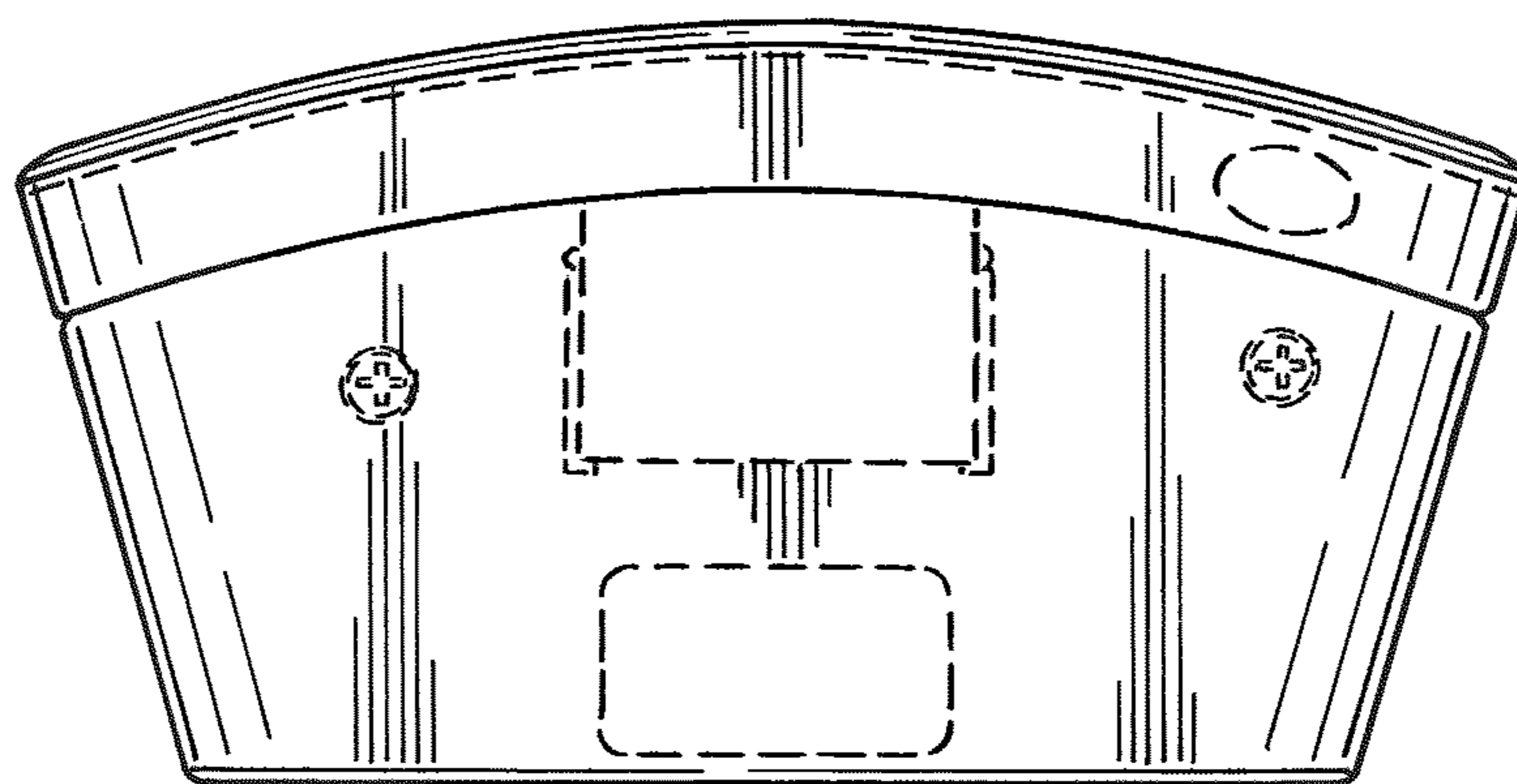


Fig. 12