



US00D686615S

(12) **United States Design Patent**
Lee et al.

(10) **Patent No.:** **US D686,615 S**
(45) **Date of Patent:** **** Jul. 23, 2013**

(54) **MONITOR**

(75) Inventors: **Jung-Hyun Lee**, Seoul (KR); **Tae-Yeon Won**, Seoul (KR)

(73) Assignee: **Samsung Electronics Co., Ltd.**, Suwon, Kyunggi-do (KR)

(**) Term: **14 Years**

(21) Appl. No.: **29/422,326**

(22) Filed: **May 18, 2012**

(51) **LOC (9) Cl.** **14-02**

(52) **U.S. Cl.**
USPC **D14/374**

(58) **Field of Classification Search**
USPC ... D14/371-375, 125-129, 336, 337; 341/12; 345/104, 156, 168, 173; 348/180, 184, 325, 348/739; 349/1, 2, 11, 62; 361/679.05-679.07, 361/679.21-679.23; D6/300, 308
See application file for complete search history.

(56) **References Cited**

U.S. PATENT DOCUMENTS

D529,911 S	*	10/2006	Yamashiro et al.	D14/375
D558,696 S	*	1/2008	Park et al.	D14/126
D572,680 S		7/2008	Lee et al.		
D619,135 S	*	7/2010	Lin	D14/374
D620,901 S		8/2010	Won et al.		
D634,323 S		3/2011	Park et al.		
D634,324 S		3/2011	Park et al.		
D656,115 S		3/2012	Kim et al.		
D656,116 S		3/2012	Kim et al.		

D656,471 S		3/2012	Han et al.		
D656,913 S		4/2012	Ann et al.		
D656,915 S		4/2012	Hwangbo et al.		
2007/0153454 A1*		7/2007	Chang et al.	361/681

OTHER PUBLICATIONS

U.S. Appl. No. 29/373,836, Applicant: Eui-Seok Kim, et al., filed May 27, 2011 entitled Television Receiver.
U.S. Appl. No. 29/422,328, Applicant: Jung-Hyun Lee, et al., filed May 18, 2012 entitled Monitor.
U.S. Appl. No. 29/422,341, Applicant: Jung-Hyun Lee, et al., filed May 18, 2012 entitled Monitor.
U.S. Appl. No. 29/422,317, Applicant: Jung-Hyun Lee, et al., filed May 18, 2006 entitled Monitor.

* cited by examiner

Primary Examiner — Freda S Nunn

(74) *Attorney, Agent, or Firm* — Flynn, Thiel, Boutell & Tanis, P.C.

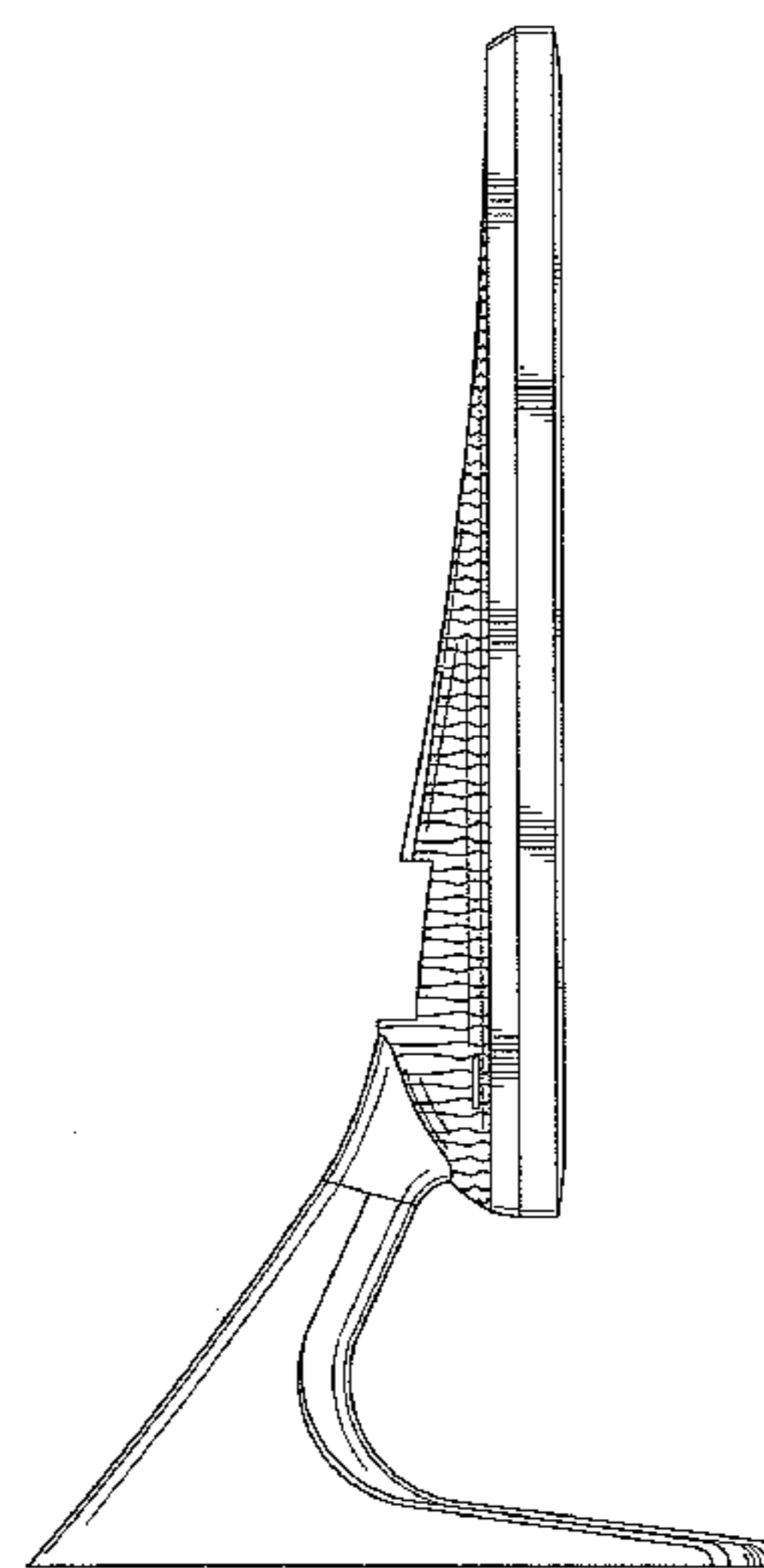
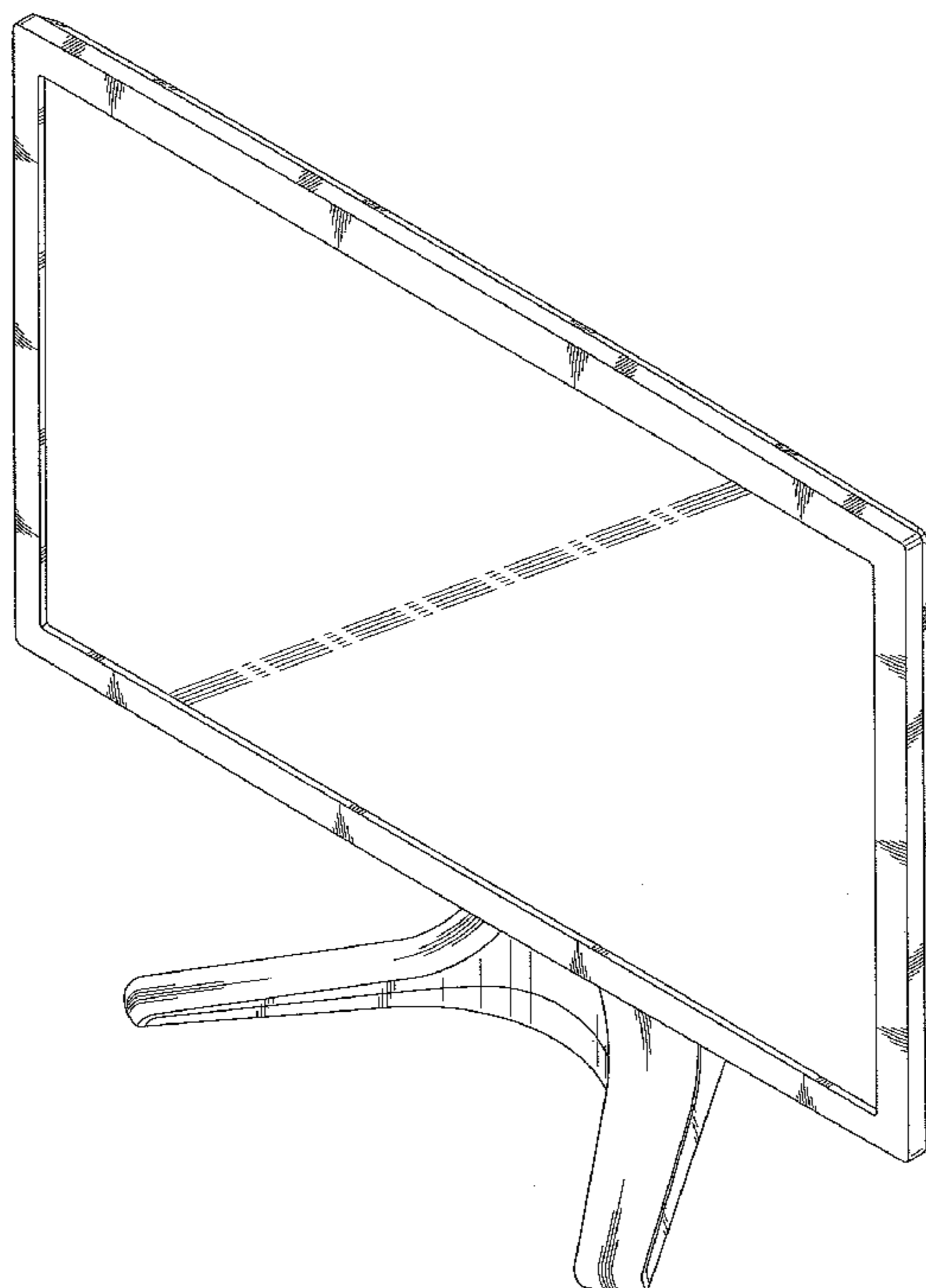
(57) **CLAIM**

The ornamental design for a monitor, as shown and described.

DESCRIPTION

FIG. 1 is a top front perspective view of a monitor showing our new design;
FIG. 2 is a front elevational view thereof;
FIG. 3 is a rear elevational view thereof;
FIG. 4 is a left side elevational view thereof;
FIG. 5 is a right side elevational view thereof;
FIG. 6 is a top plan view thereof; and,
FIG. 7 is a bottom plan view thereof.

1 Claim, 5 Drawing Sheets



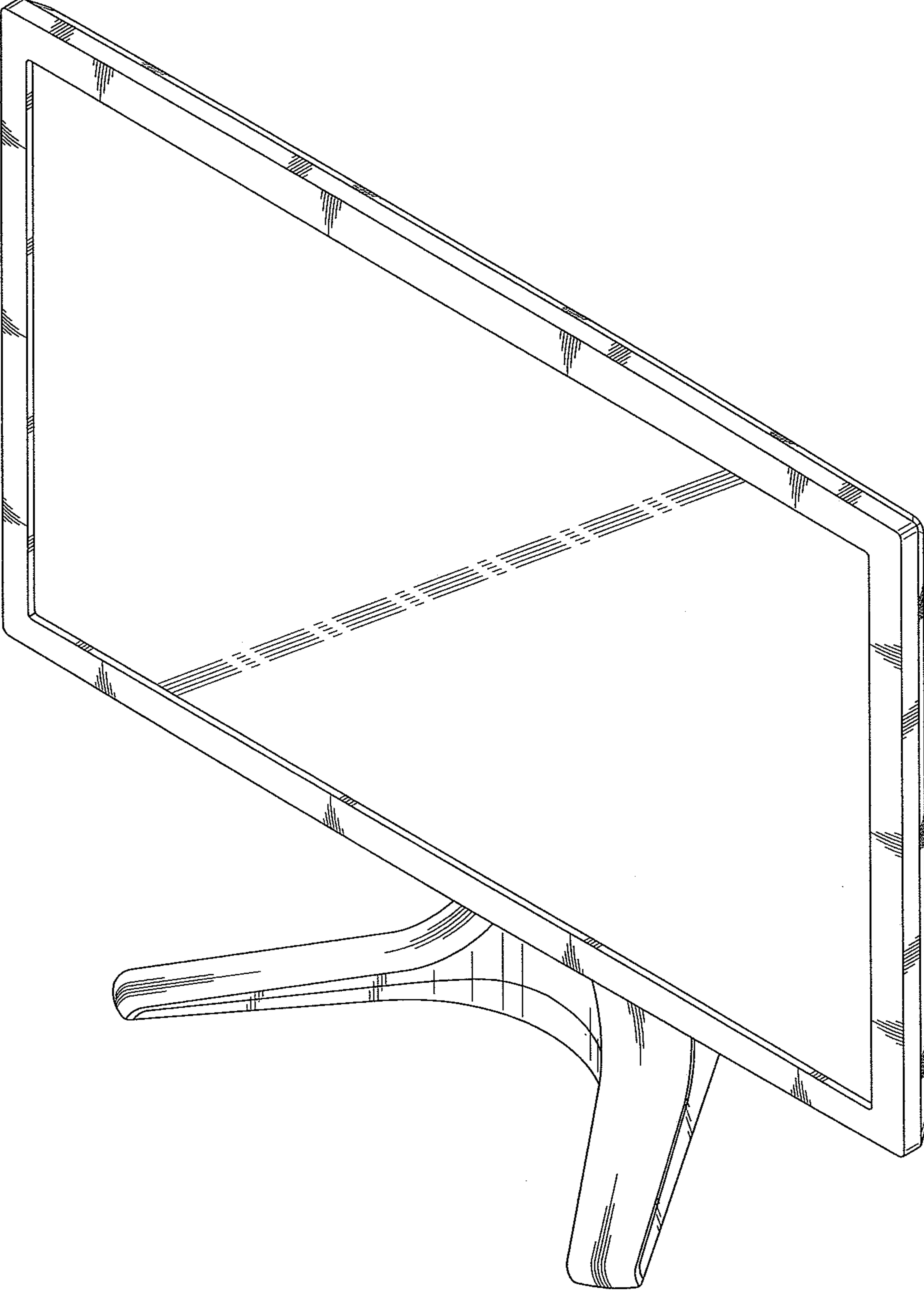


FIG.1

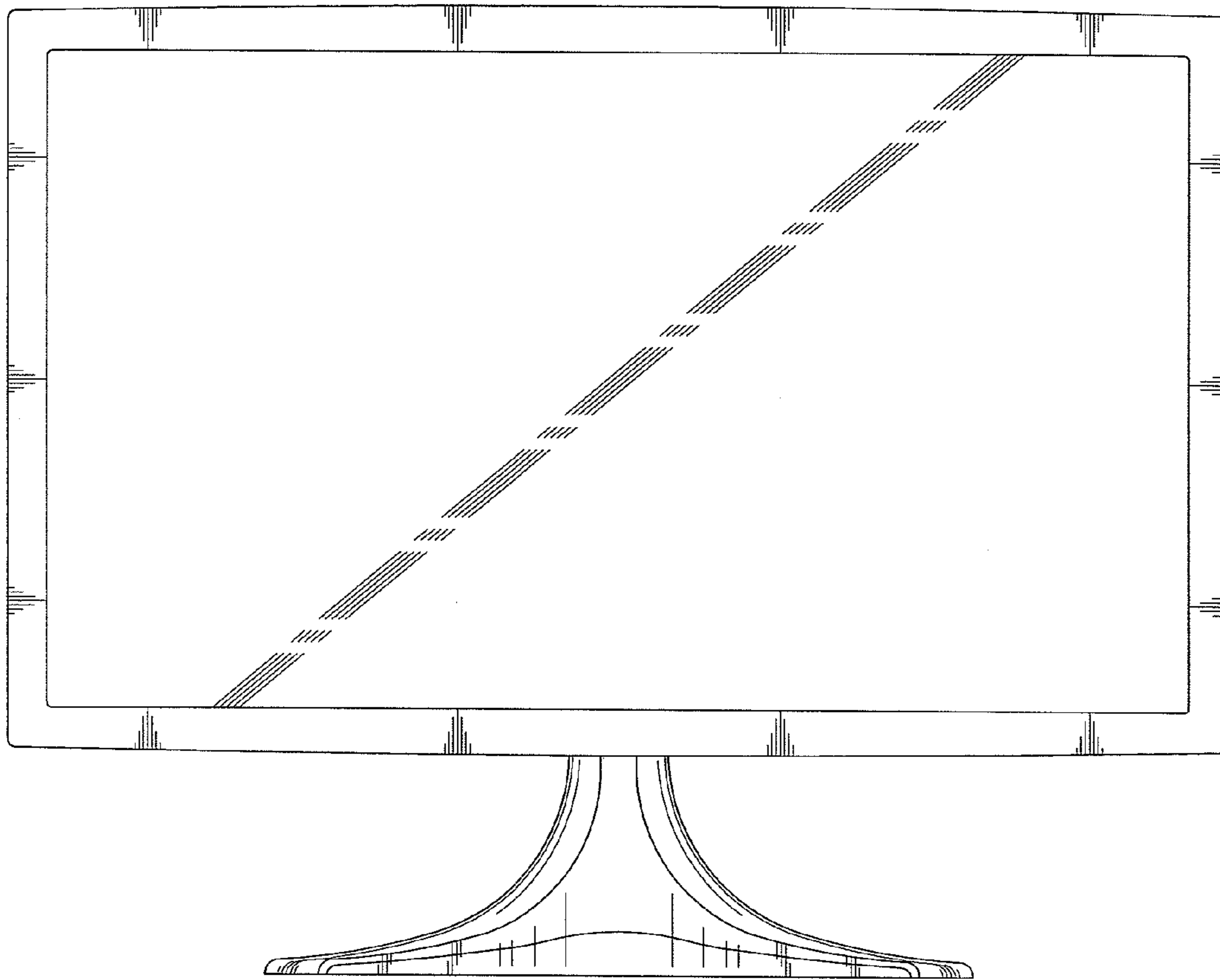


FIG.2

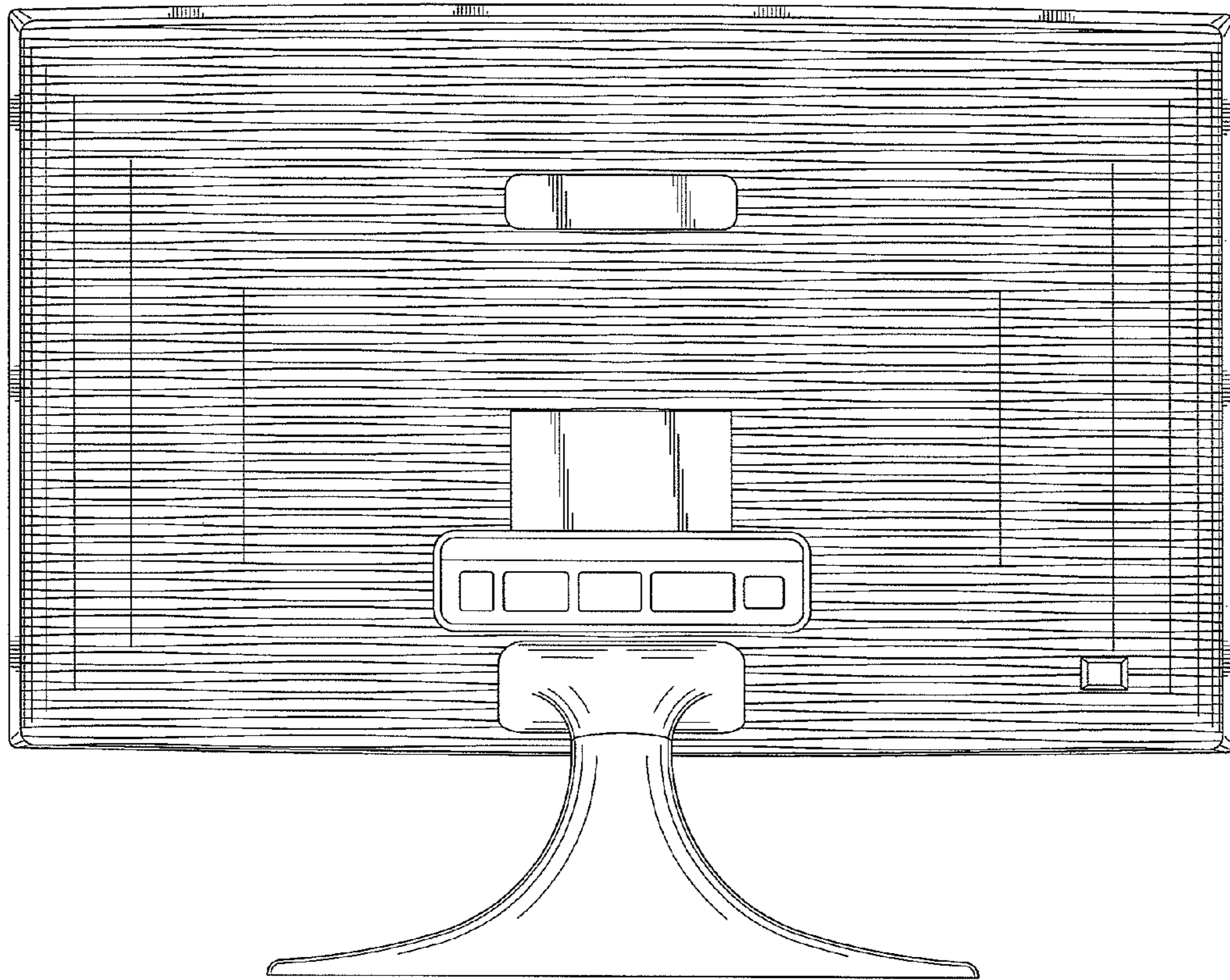


FIG.3

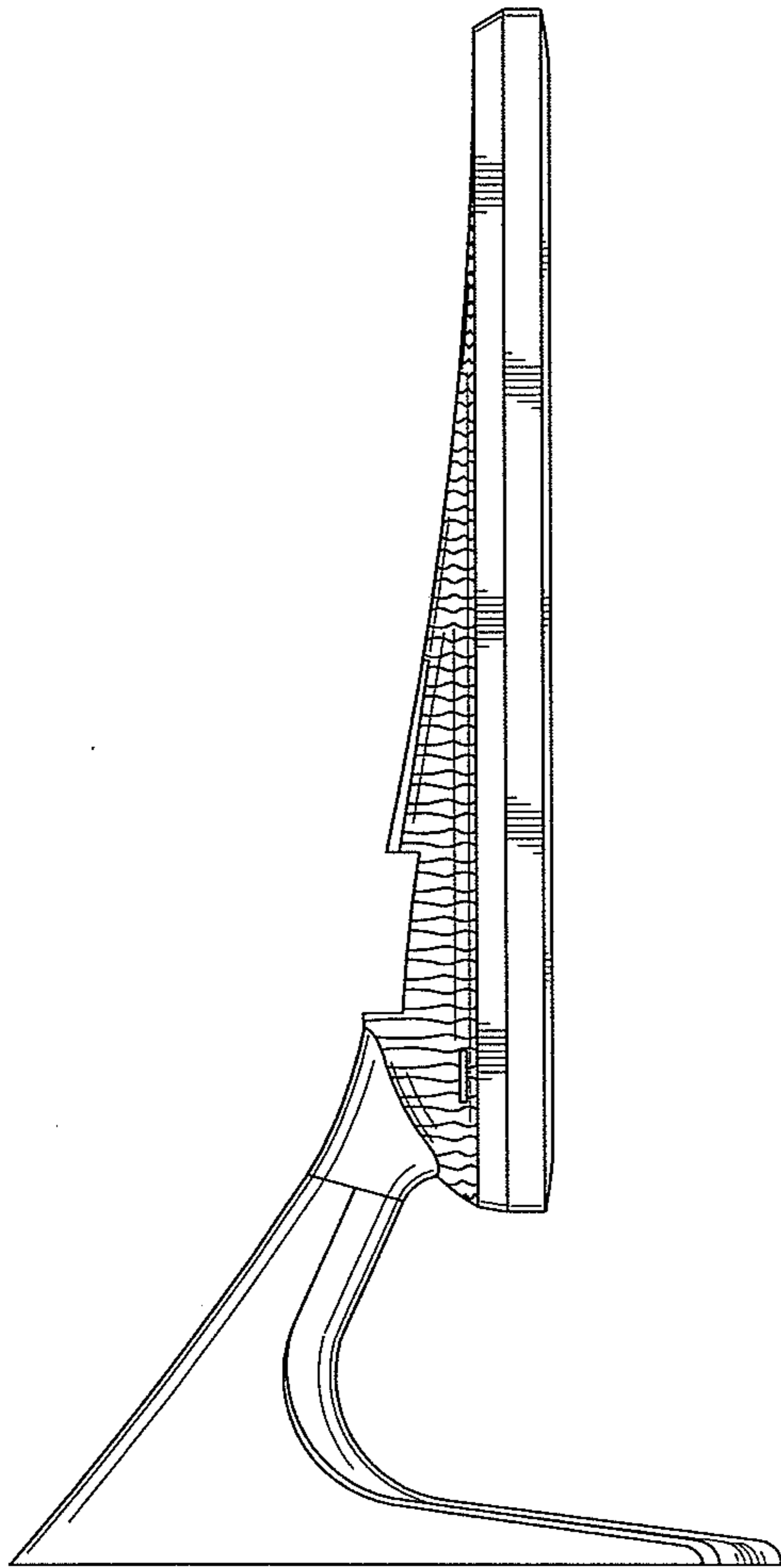


FIG. 4

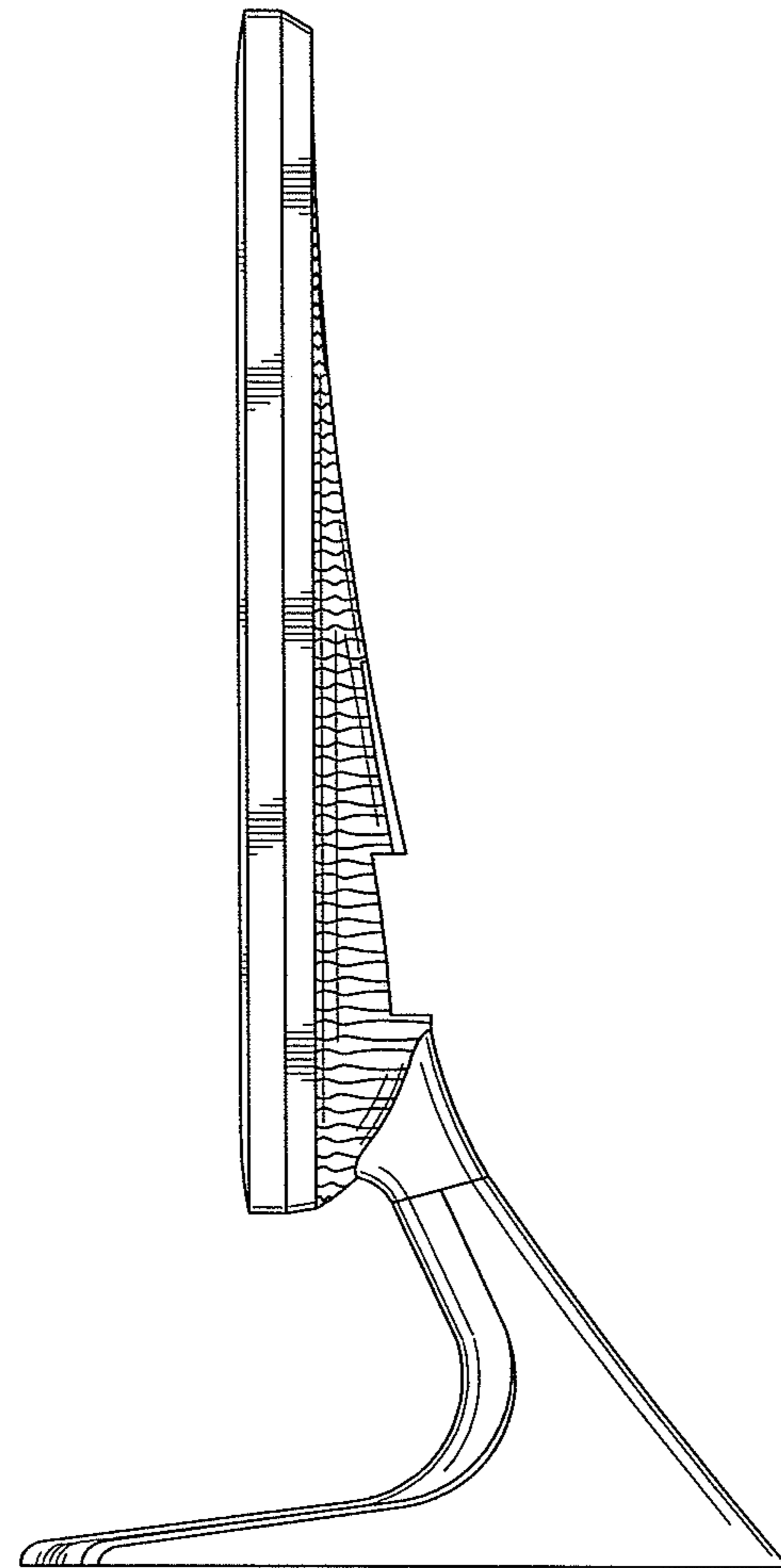


FIG. 5

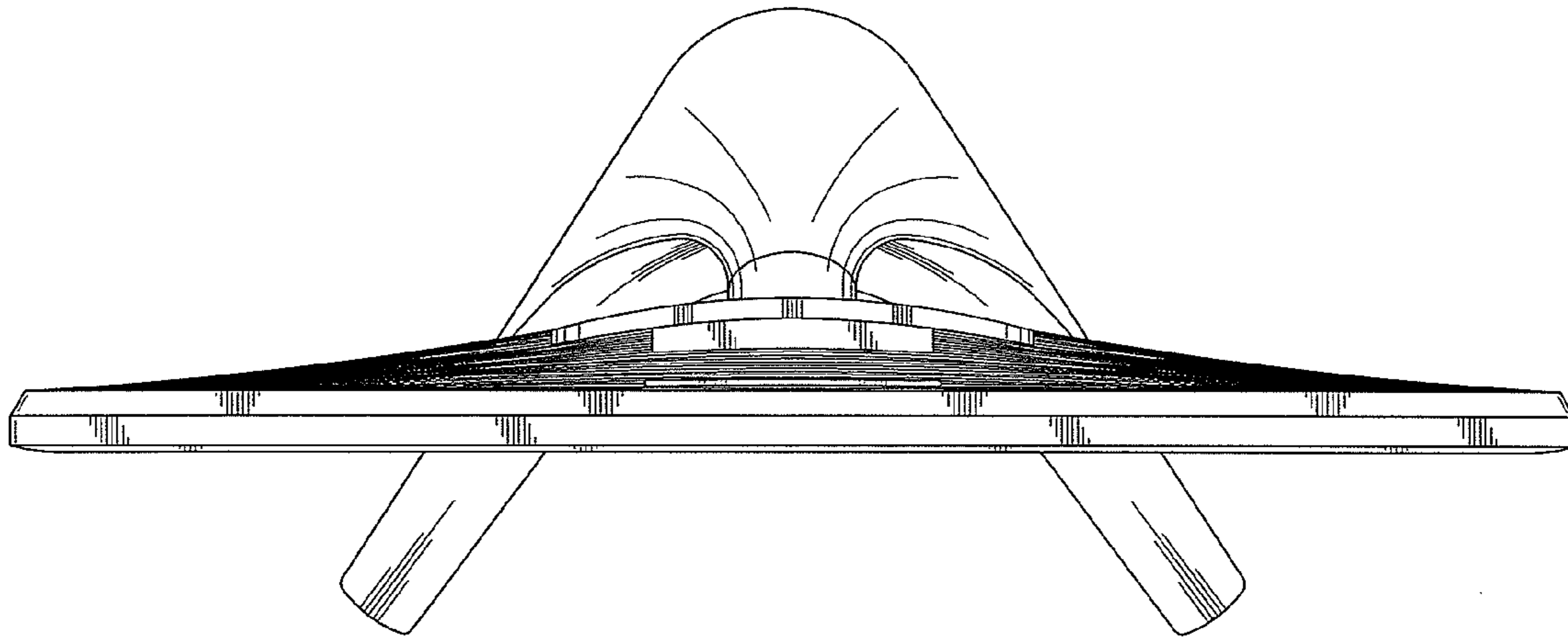


FIG. 6

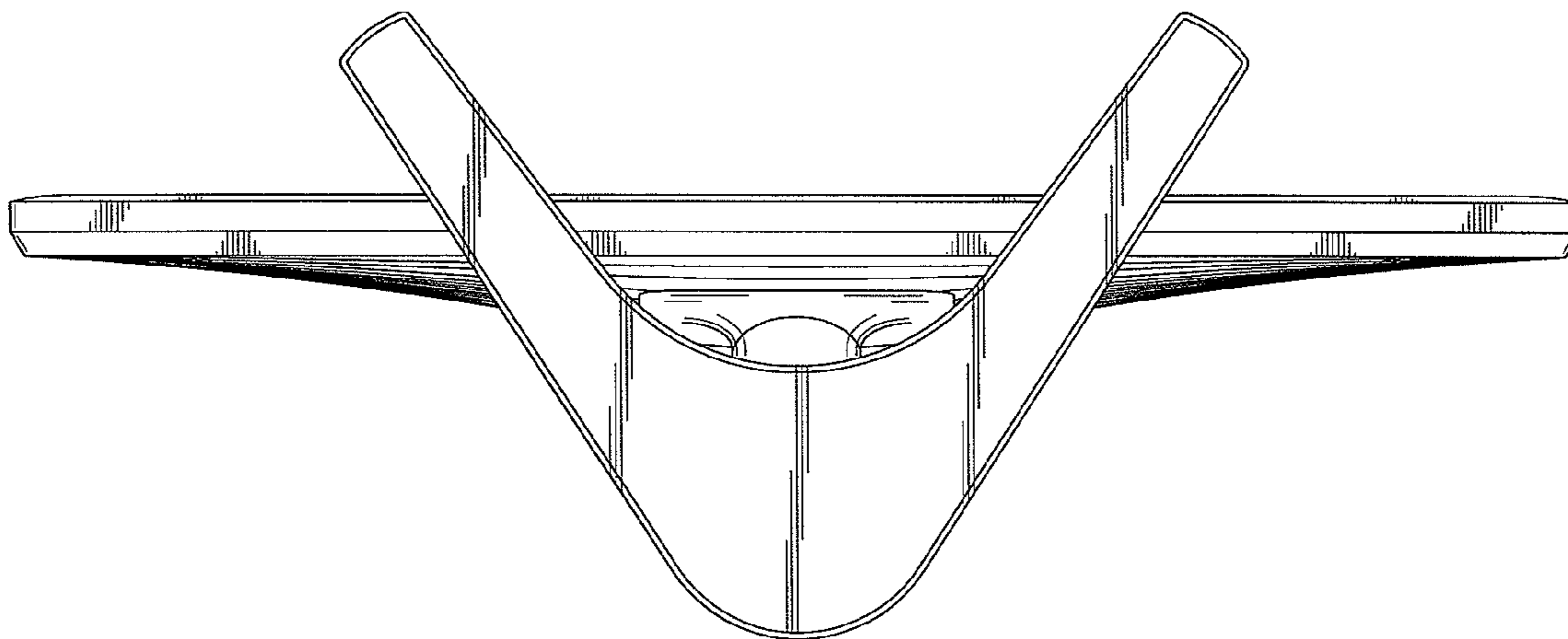


FIG. 7