



US00D686614S

(12) **United States Design Patent**  
**Tan**

(10) **Patent No.:** **US D686,614 S**

(45) **Date of Patent:** **\*\* Jul. 23, 2013**

(54) **OPTICAL NETWORK TERMINAL**

(75) Inventor: **Jun Tan**, Shenzhen (CN)

(73) Assignee: **Huawei Technologies Co., Ltd.**,  
Shenzhen (CN)

(\*\*) Term: **14 Years**

(21) Appl. No.: **29/406,666**

(22) Filed: **Nov. 17, 2011**

(51) **LOC (9) Cl.** ..... **14-02**

(52) **U.S. Cl.**  
USPC ..... **D14/358**; D14/240

(58) **Field of Classification Search**  
USPC ..... D14/300–302, 314, 348–370, 435,  
D14/496, 125, 240, 242, 299; D3/273; D9/432;  
D10/65, 75, 78; D13/103, 119, 162, 184,  
D13/199; 361/679.31, 679.33–679.45;  
312/223.2

See application file for complete search history.

(56) **References Cited**

U.S. PATENT DOCUMENTS

D327,263	S	*	6/1992	Ogawa et al.	.....	D14/137
D331,227	S	*	11/1992	Esslinger	.....	D14/355
D365,348	S	*	12/1995	Card et al.	.....	D14/140.3
D505,675	S	*	5/2005	Chen	.....	D14/348
D510,344	S	*	10/2005	Hsieh	.....	D14/240
D525,968	S	*	8/2006	Peng et al.	.....	D14/300
D530,315	S	*	10/2006	Liu	.....	D14/240
D538,273	S	*	3/2007	Liu	.....	D14/240
D541,792	S	*	5/2007	Liu et al.	.....	D14/240
D576,621	S	*	9/2008	Tanaka	.....	D14/358
D591,744	S	*	5/2009	Shimizu	.....	D14/356

D595,281	S	*	6/2009	Chiba et al.	.....	D14/240
D597,542	S	*	8/2009	Solomon et al.	.....	D14/351
D625,308	S	*	10/2010	Chen et al.	.....	D14/356
D632,650	S	*	2/2011	Rashid et al.	.....	D13/110
D647,866	S	*	11/2011	Chen	.....	D14/125
2004/0150947	A1	*	8/2004	Tang	.....	361/685

OTHER PUBLICATIONS

3.5" Hard Disk Player (OTG), Web Archive, p. 2 [online] screenshot archived Dec. 13, 2006 [retrieved on Dec. 13, 2006]. Retrieved from the Internet <URL: [http://web.archive.org/web/20061213155301/http://foryougroup.en.alibaba.com...8919/50221727/3\\_5\\_Hard\\_Disk\\_Player/3\\_5\\_Hard\\_Disk\\_Player\\_OTG\\_/showimg.html](http://web.archive.org/web/20061213155301/http://foryougroup.en.alibaba.com...8919/50221727/3_5_Hard_Disk_Player/3_5_Hard_Disk_Player_OTG_/showimg.html)>.\*

\* cited by examiner

*Primary Examiner* — Karen E Kearney

(74) *Attorney, Agent, or Firm* — Slater & Matsil, L.L.P.

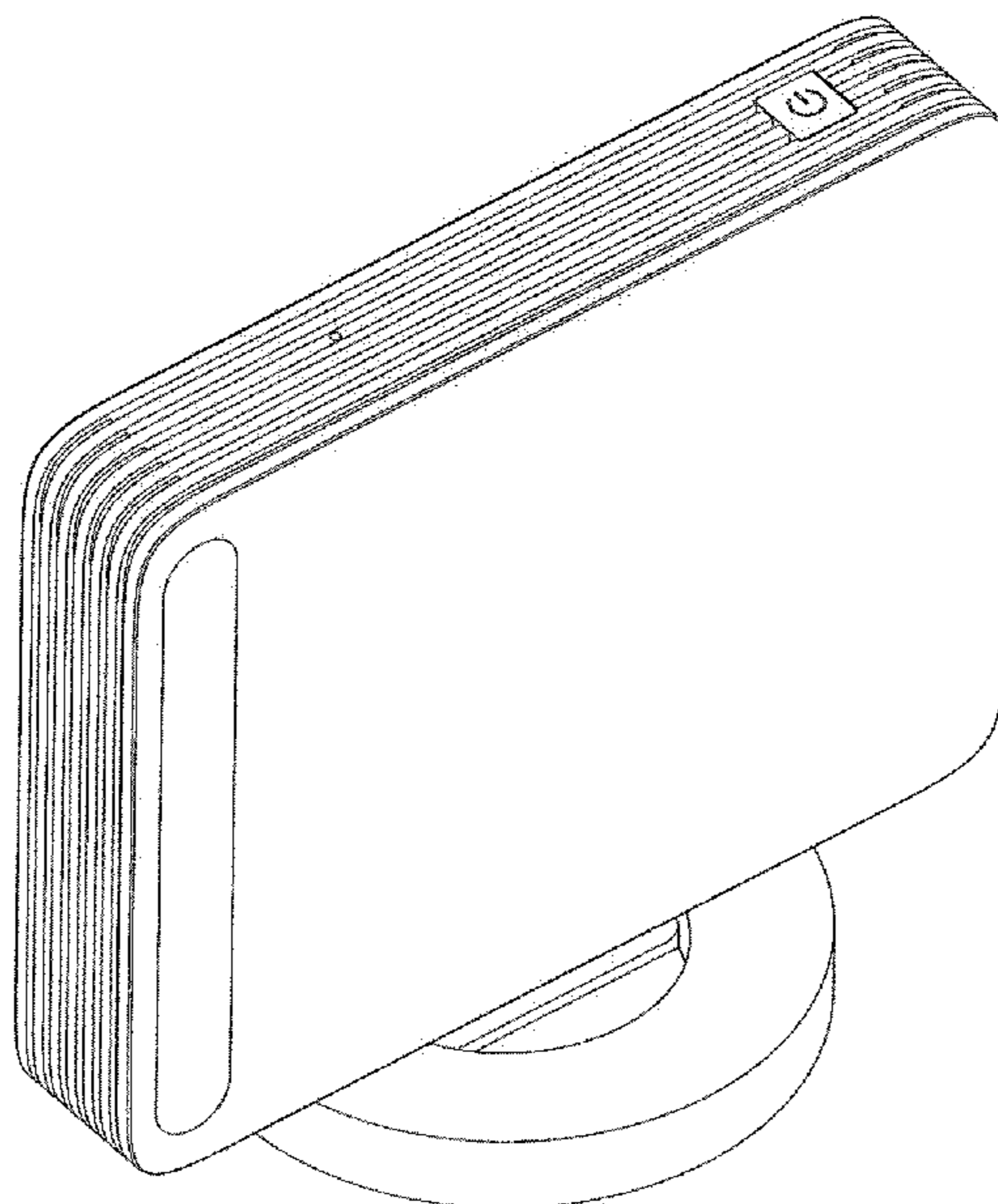
(57) **CLAIM**

The ornamental design for an optical network terminal, as shown and described.

**DESCRIPTION**

FIG. 1 is a bottom view of an optical network terminal;  
FIG. 2 is a right side view thereof;  
FIG. 3 is a front view thereof;  
FIG. 4 is a left side view thereof;  
FIG. 5 is a back view thereof;  
FIG. 6 is a top view thereof; and,  
FIG. 7 is a front perspective view thereof.  
The broken lines showing in the drawings are for the purpose of illustrating portions of the article and form no part of the claimed design.

**1 Claim, 7 Drawing Sheets**



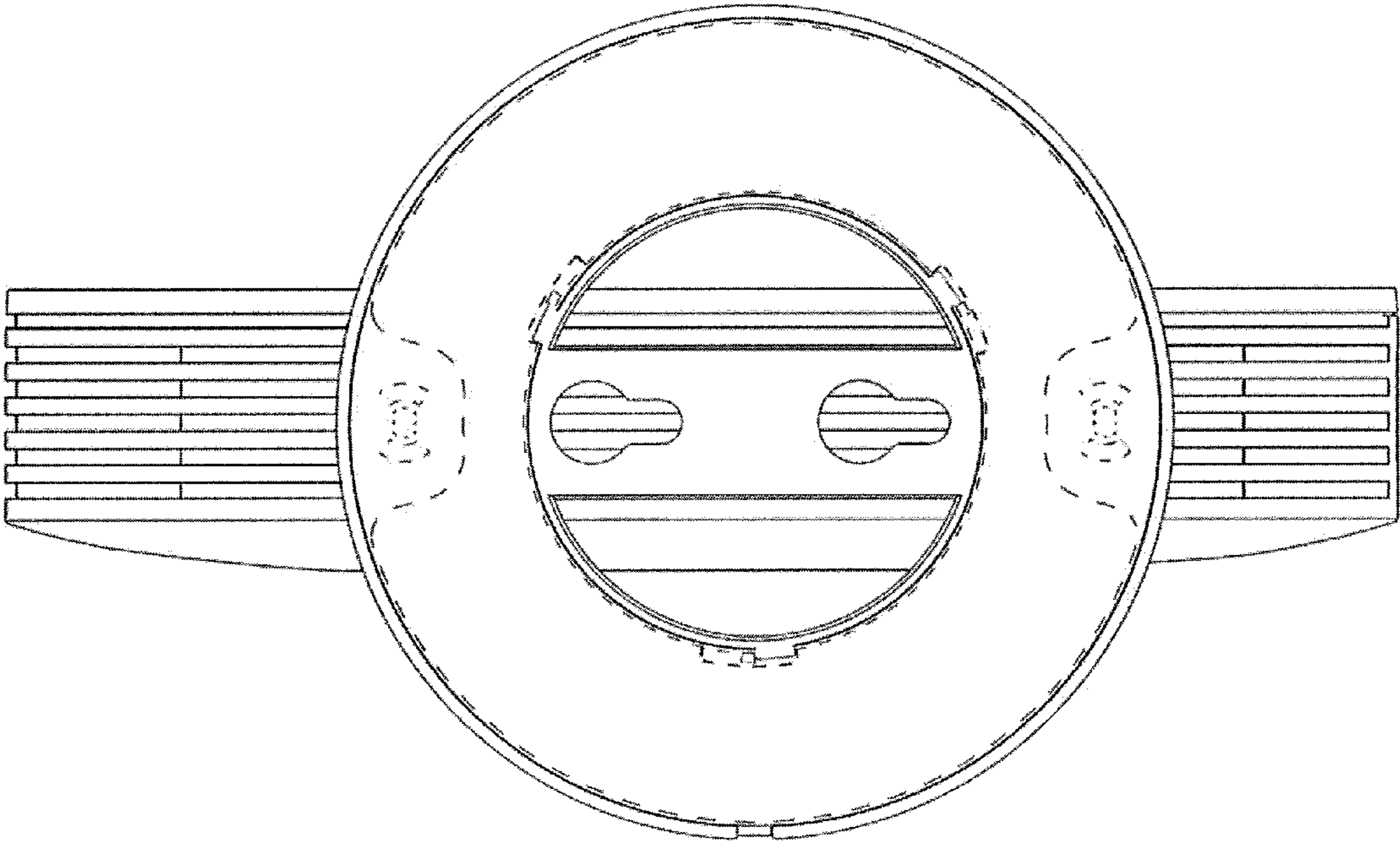


FIG. 1

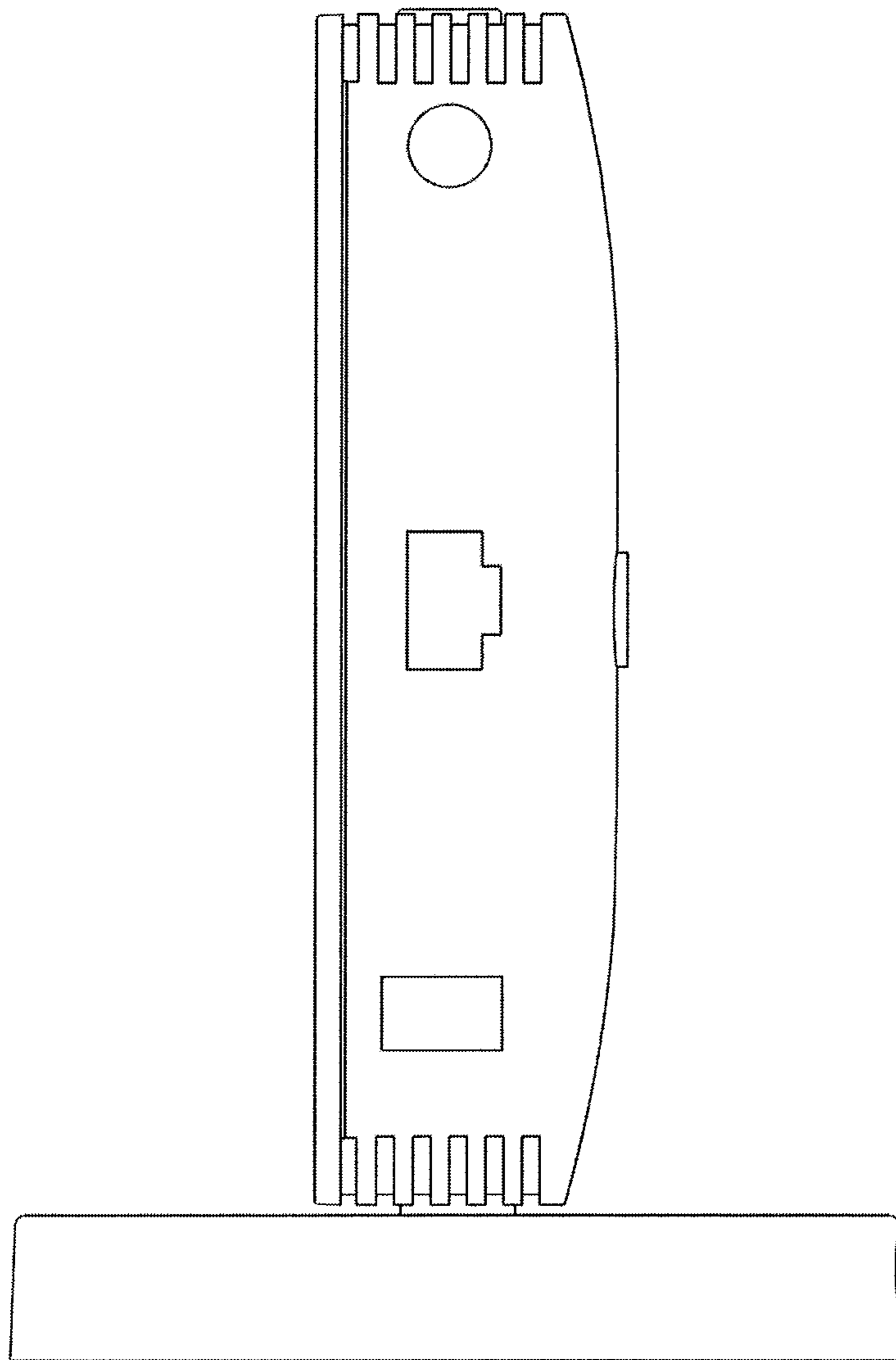


FIG. 2

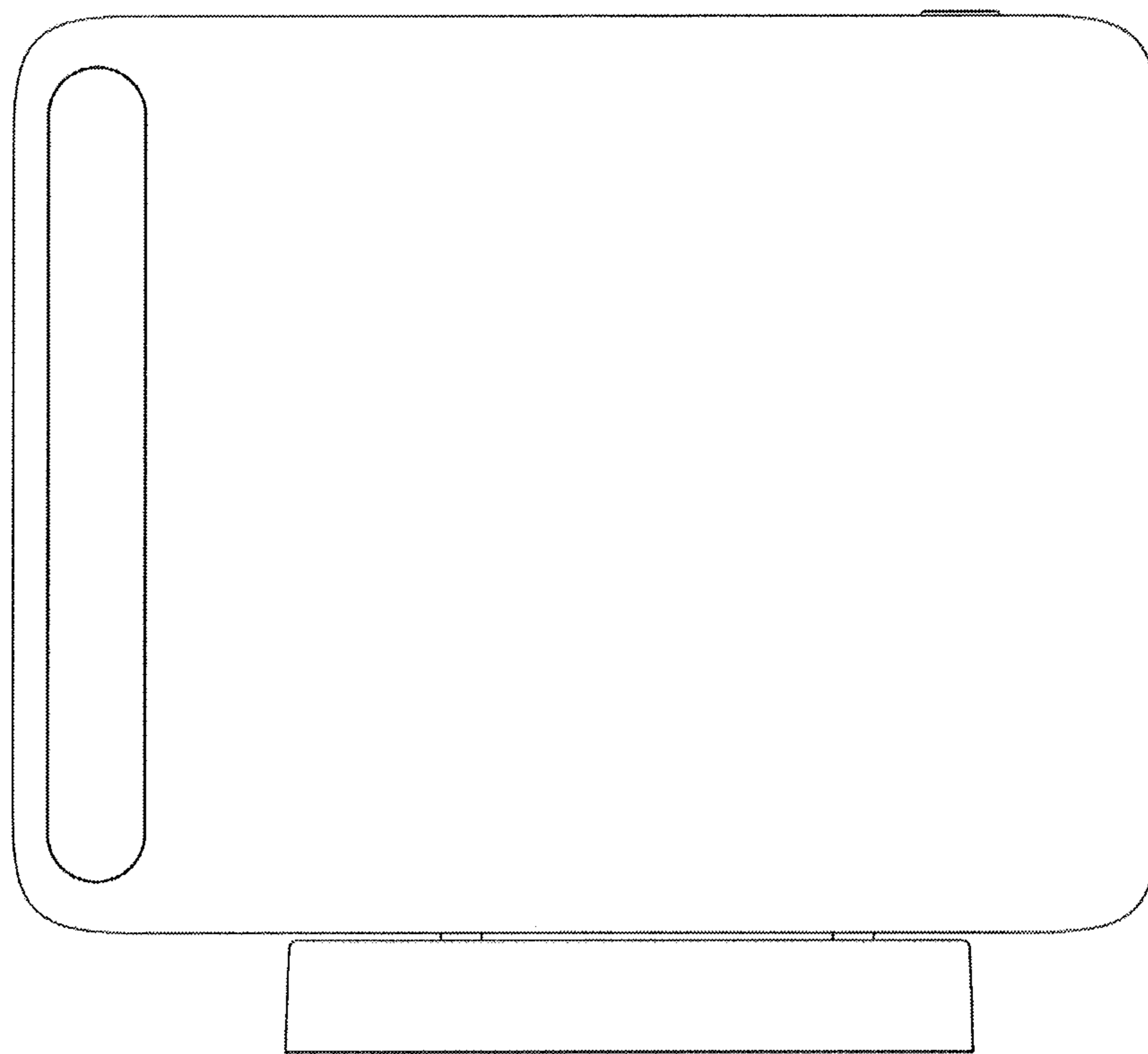


FIG. 3

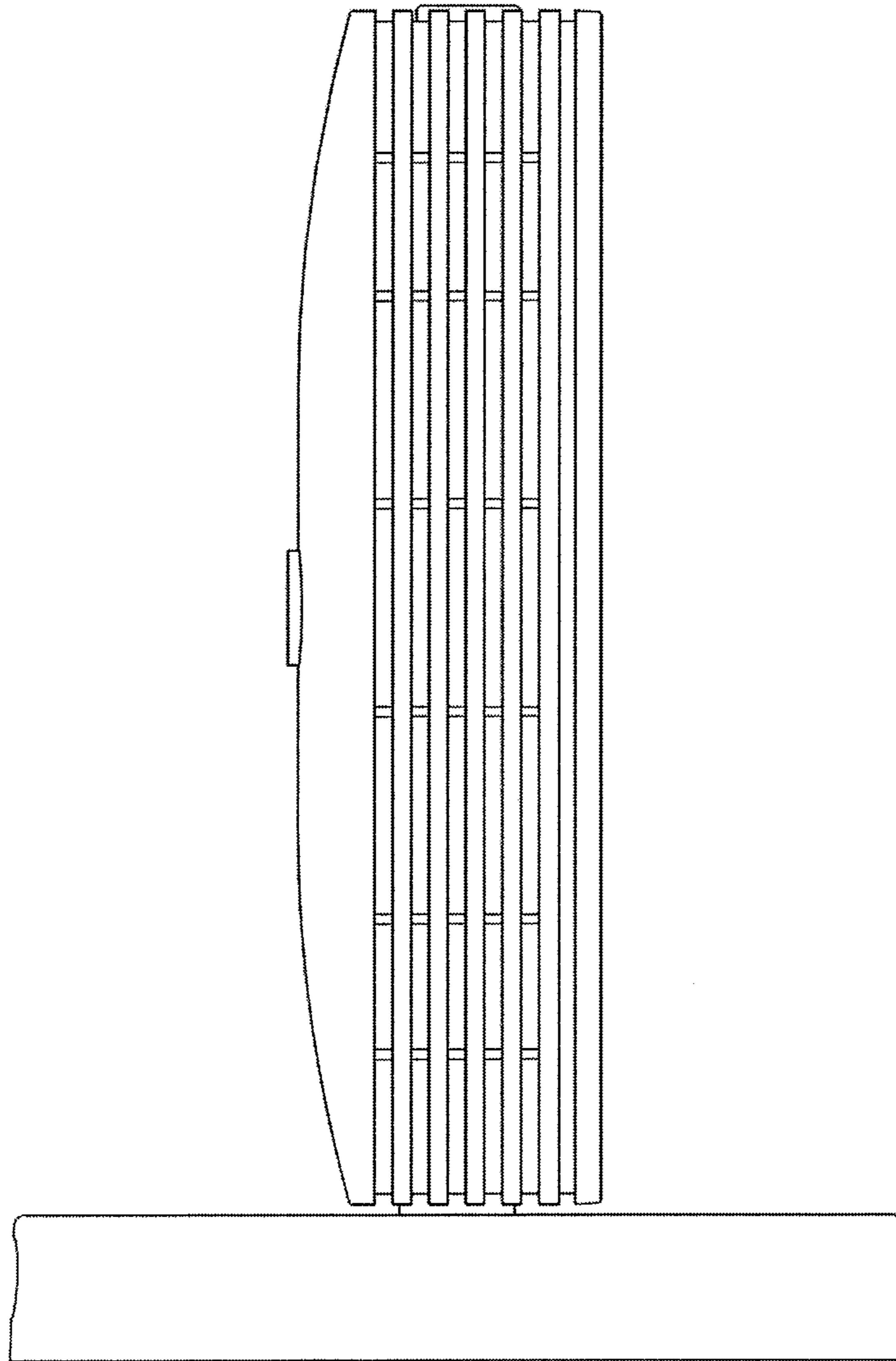


FIG. 4

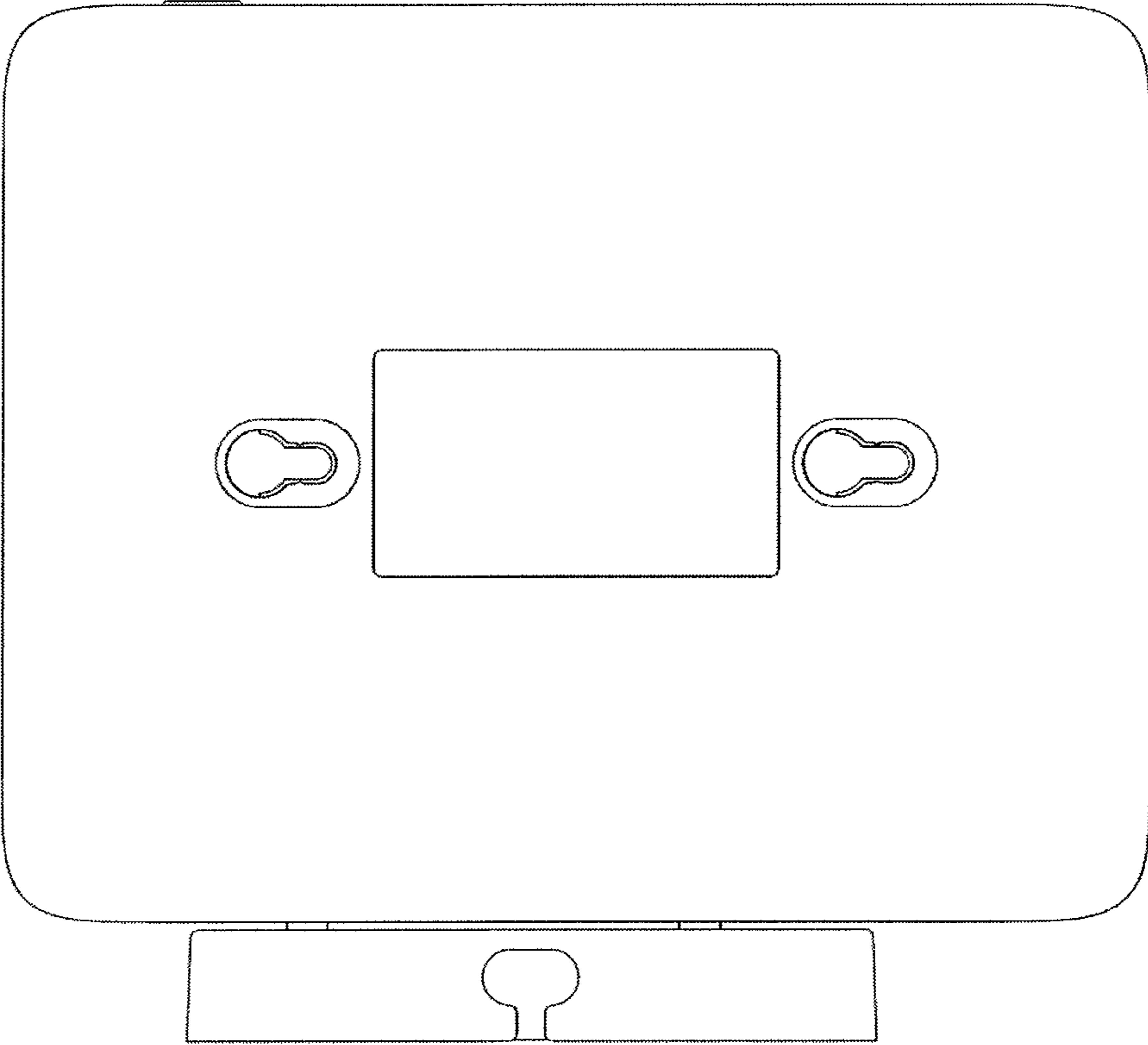


FIG. 5



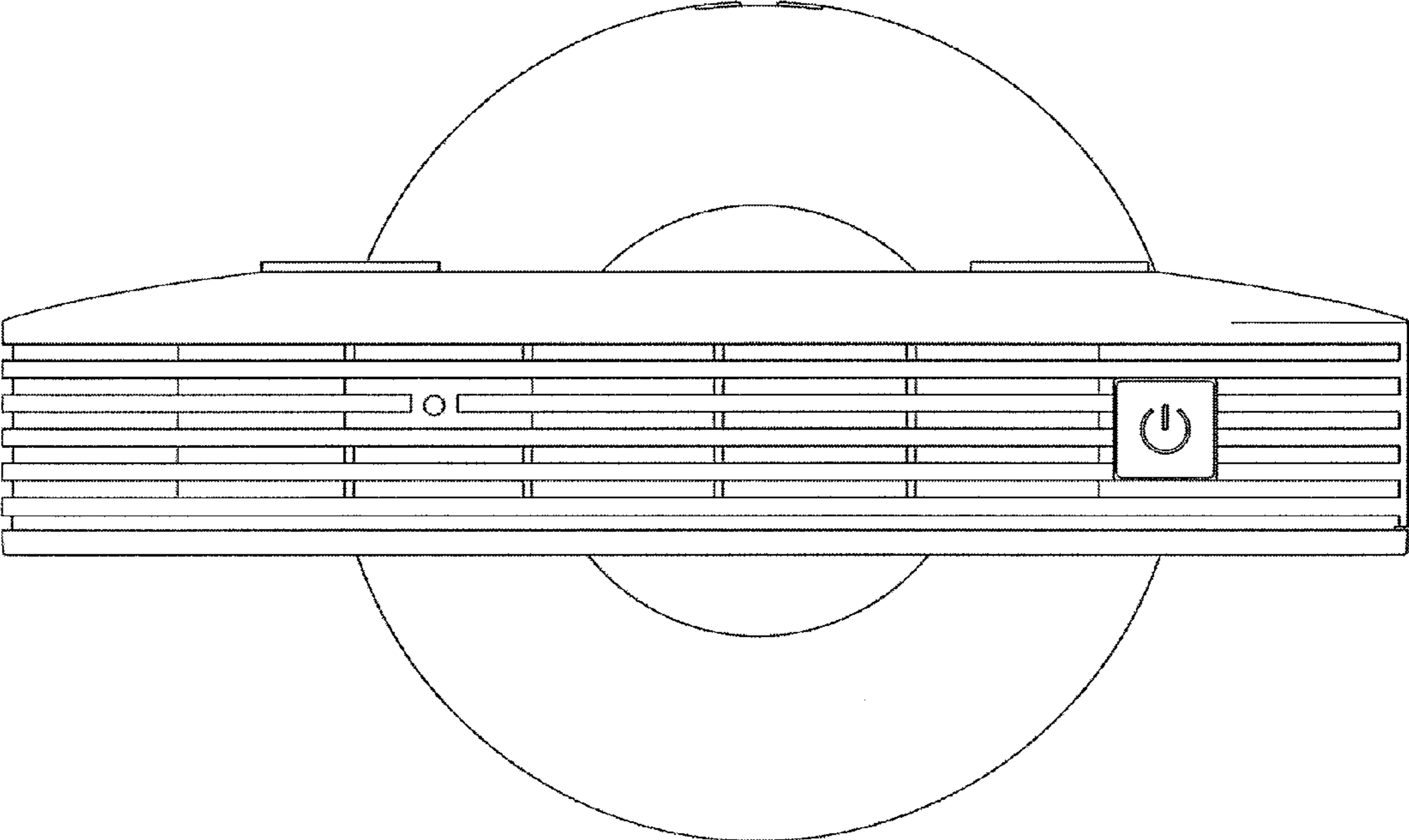


FIG. 6

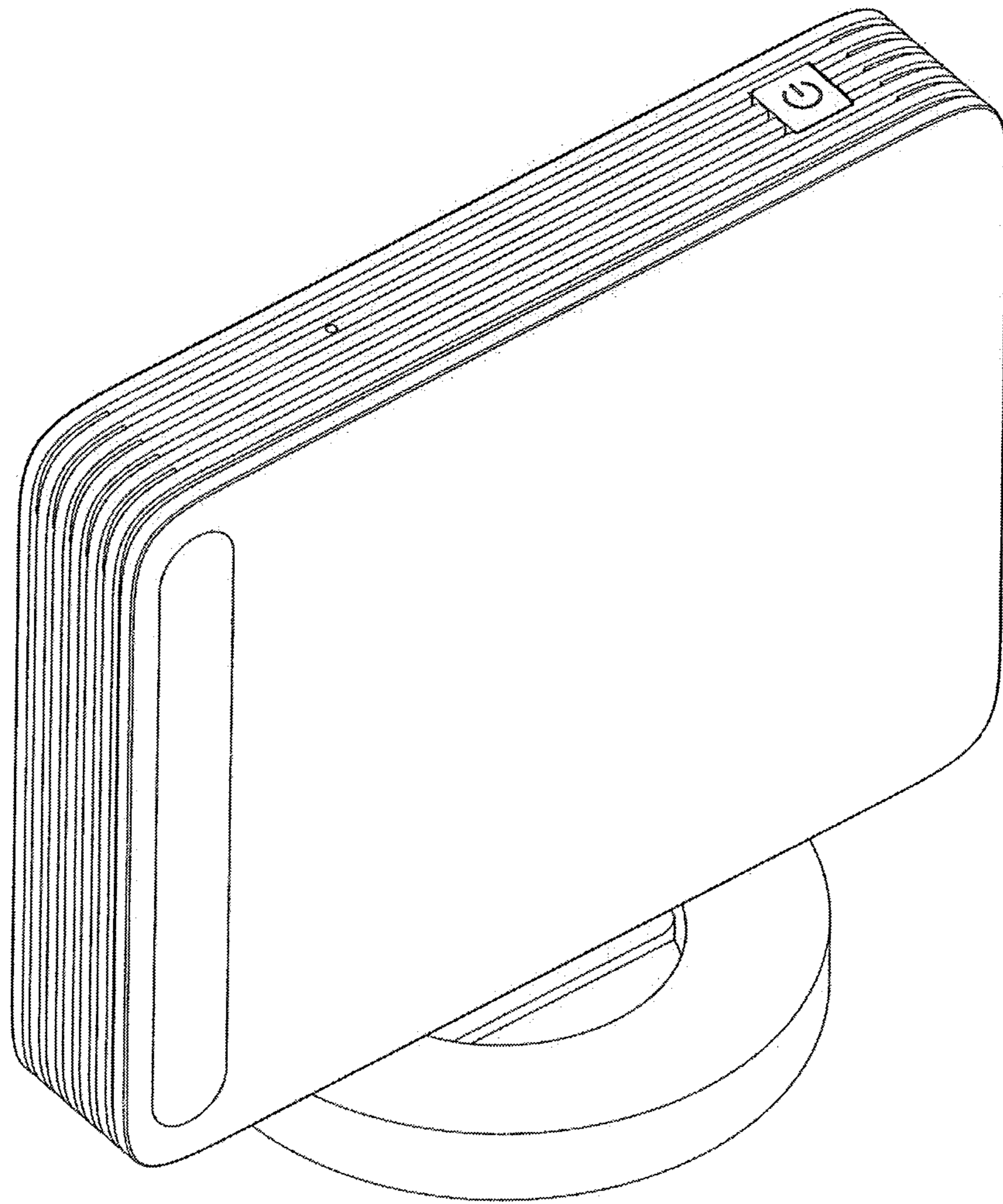


FIG. 7