



US00D686612S

(12) **United States Design Patent**
Sullivan

(10) **Patent No.:** **US D686,612 S**
(45) **Date of Patent:** **** Jul. 23, 2013**

(54) **CABINET HANDLE BASE**

(76) Inventor: **Scott Sullivan**, San Francisco, CA (US)

(**) Term: **14 Years**

(21) Appl. No.: **29/421,255**

(22) Filed: **Jun. 19, 2012**

(51) **LOC (9) Cl.** **08-06**

(52) **U.S. Cl.**
USPC **D14/321**; D14/302

(58) **Field of Classification Search**
USPC D8/300, 301, 302, 306, 307, 308,
D8/309, 330, 334, 337, 338, 341, 342, 343,
D8/350; D23/252, 254; 16/110.1, 412;
292/336.3, DIG. 37, DIG. 46, DIG. 68; 70/208,
70/210, 224

See application file for complete search history.

(56) **References Cited**

U.S. PATENT DOCUMENTS

D189,524 S *	1/1961	Savage	D8/302
4,042,268 A *	8/1977	Coglan	292/347
5,092,143 A *	3/1992	Rumbles	70/56
D369,964 S *	5/1996	Decursu et al.	D8/302
5,634,357 A *	6/1997	Nutter et al.	70/210
D391,143 S *	2/1998	Jancsek	D8/338
D409,072 S *	5/1999	Clavin	D8/301
6,068,308 A *	5/2000	Molzer	292/336.3
D429,142 S *	8/2000	Monge et al.	D8/350
6,298,697 B1 *	10/2001	Ramsauer	70/208

6,318,770 B1 *	11/2001	Molzer	292/336.3
6,546,765 B1 *	4/2003	Linares	70/210
D481,923 S *	11/2003	Char et al.	D8/302
D488,983 S *	4/2004	Linares	D8/301
D492,570 S *	7/2004	Linares	D8/308
D494,834 S *	8/2004	Etlicher	D8/302
D500,440 S *	1/2005	Linares	D8/308
D527,615 S *	9/2006	Osiecki et al.	D8/350
D585,264 S *	1/2009	Stuckey	D8/321
D649,003 S *	11/2011	Stuckey	D8/302
D660,127 S *	5/2012	Stuckey et al.	D8/302

* cited by examiner

Primary Examiner — Paula Greene

(74) *Attorney, Agent, or Firm* — Scott Sullivan

(57) **CLAIM**

The ornamental design for a cabinet handle base, as shown and described.

DESCRIPTION

FIG. 1 is a perspective view of a cabinet handle base showing my new design;

FIG. 2 is a front elevation view thereof;

FIG. 3 is a rear elevation view thereof;

FIG. 4 is a right elevation view thereof;

FIG. 5 is a left elevation view thereof;

FIG. 6 is a top plan view thereof; and,

FIG. 7 is a bottom plan view thereof.

The broken lines shown represent unclaimed subject matter and form no part of the claimed design.

1 Claim, 2 Drawing Sheets

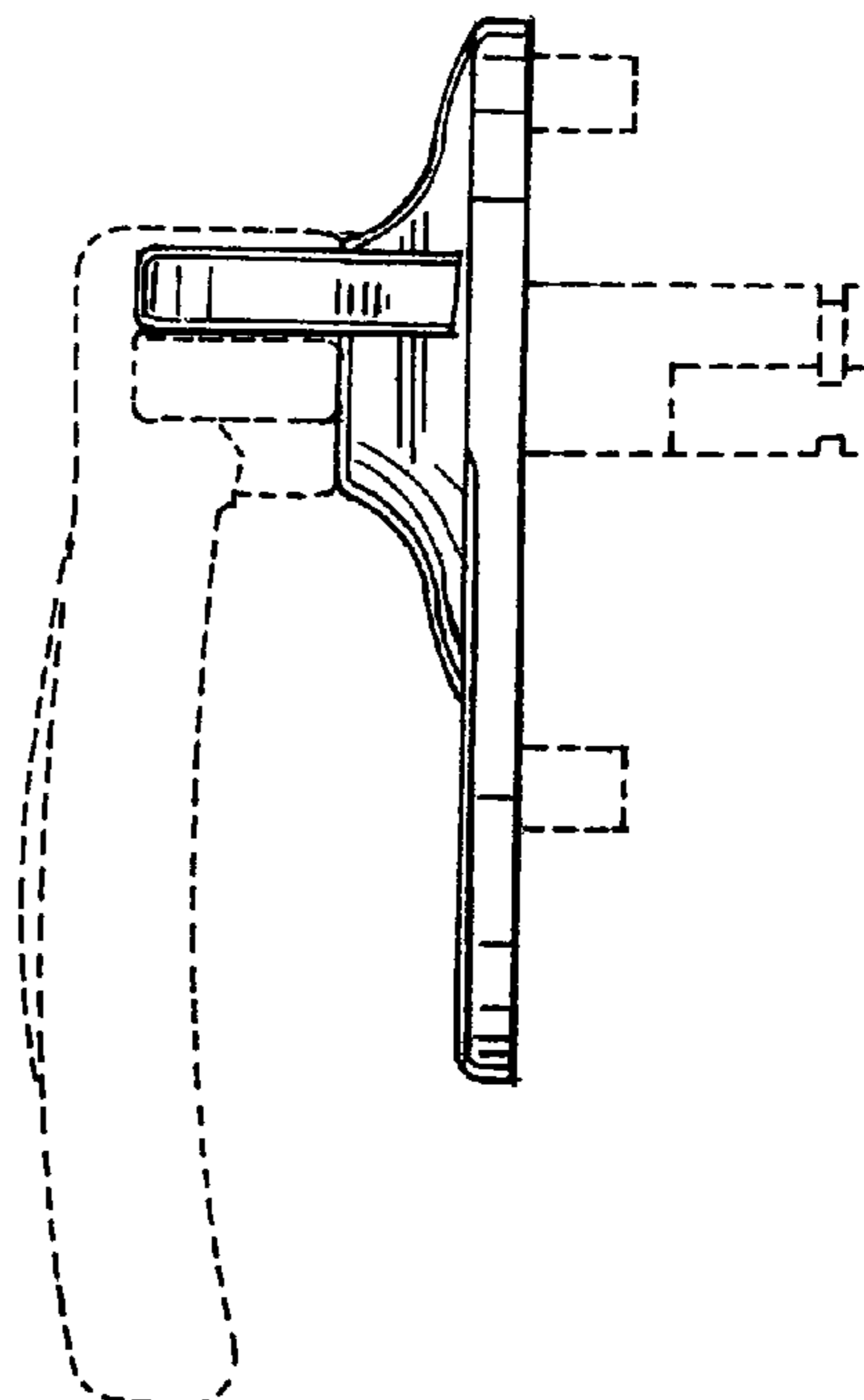
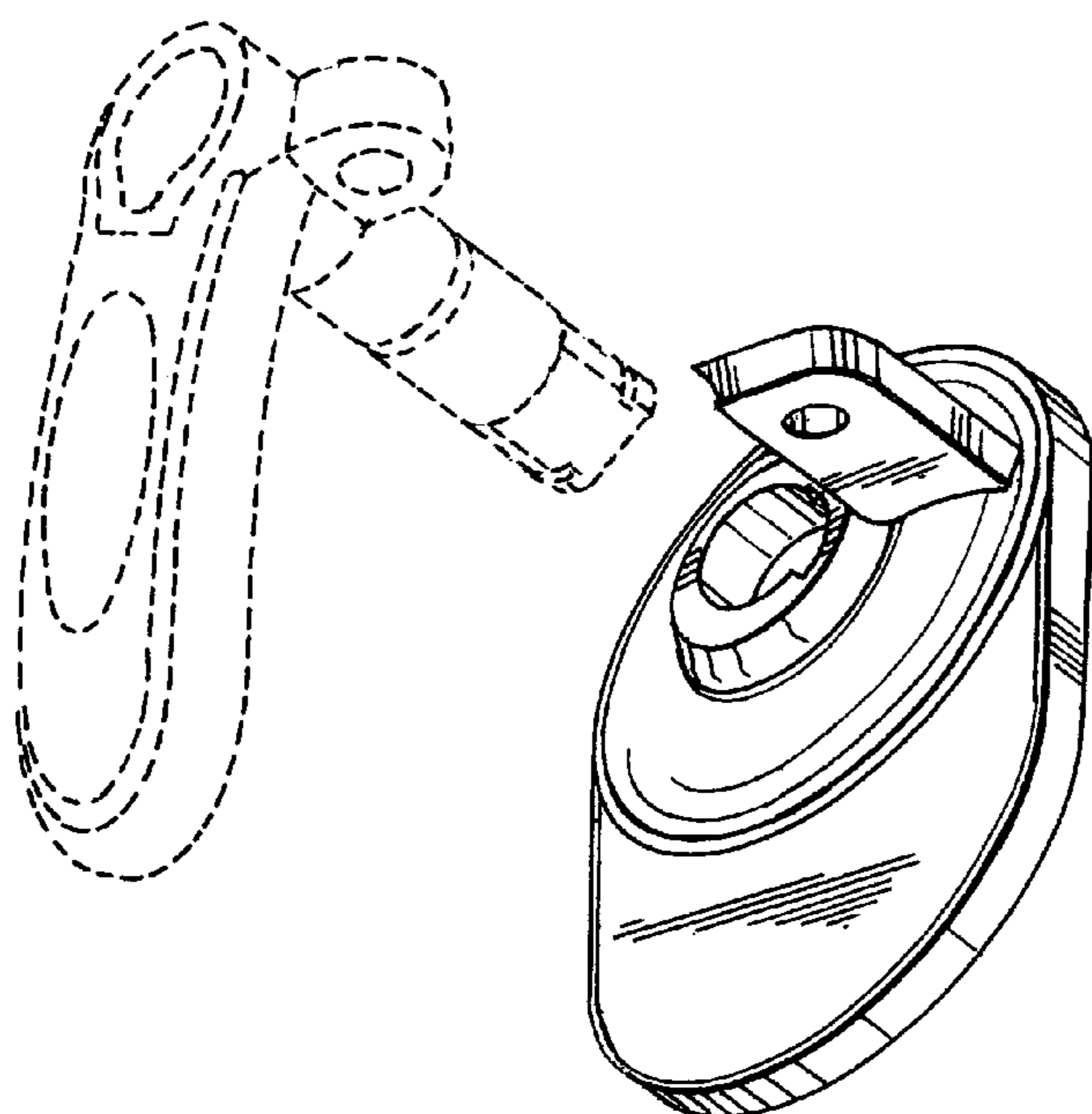


FIG. 1

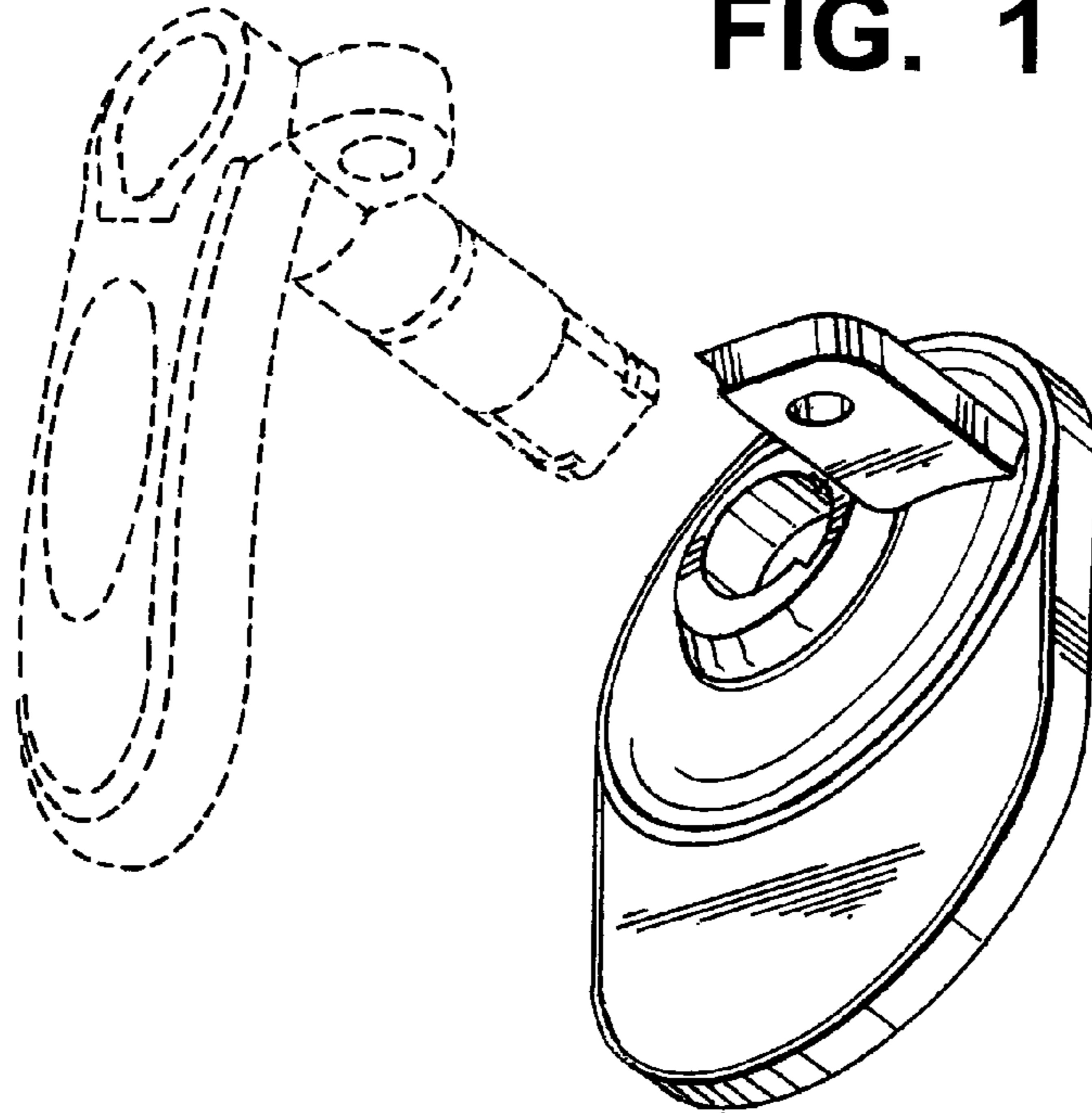


FIG. 2

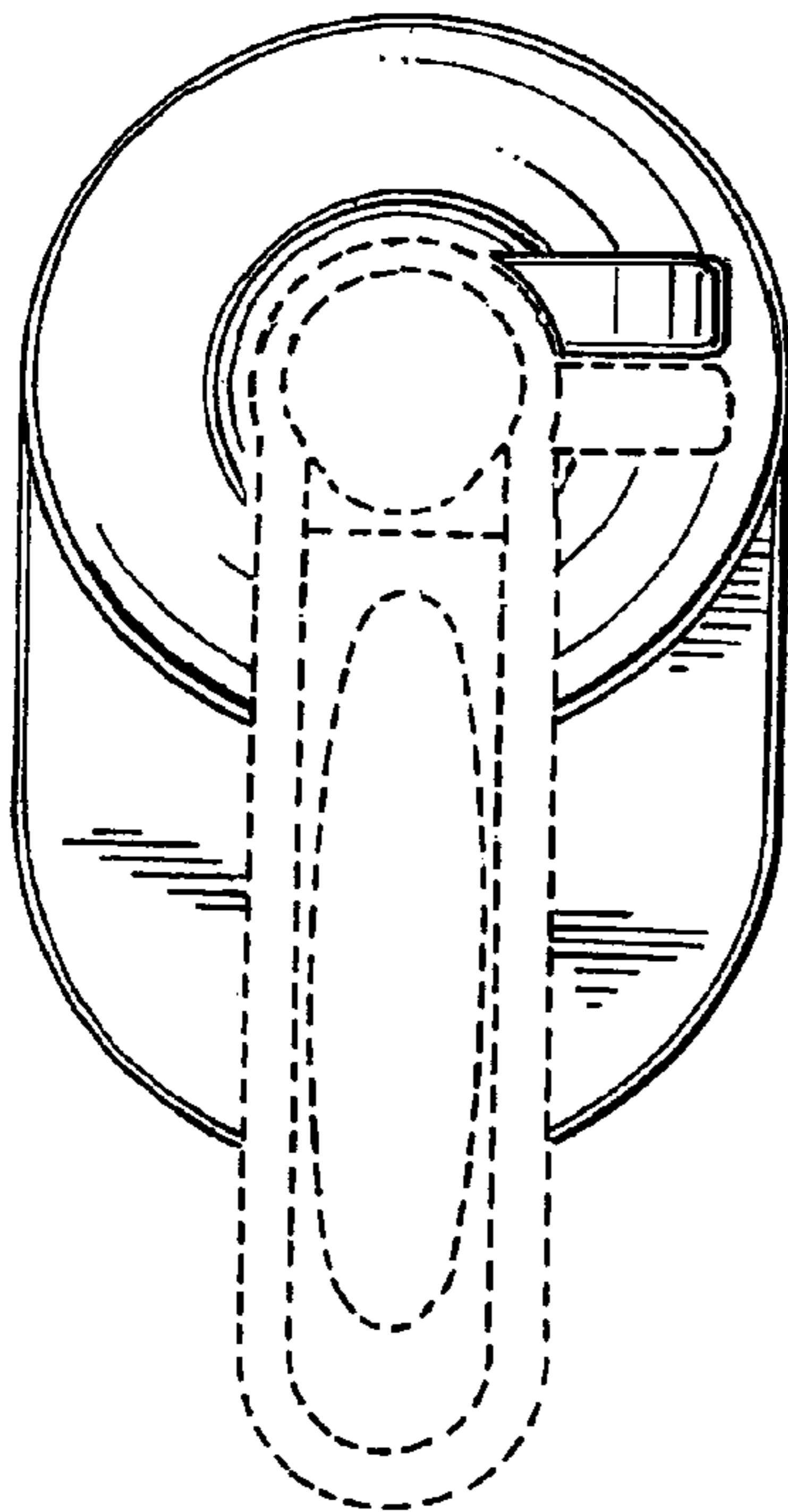


FIG. 3

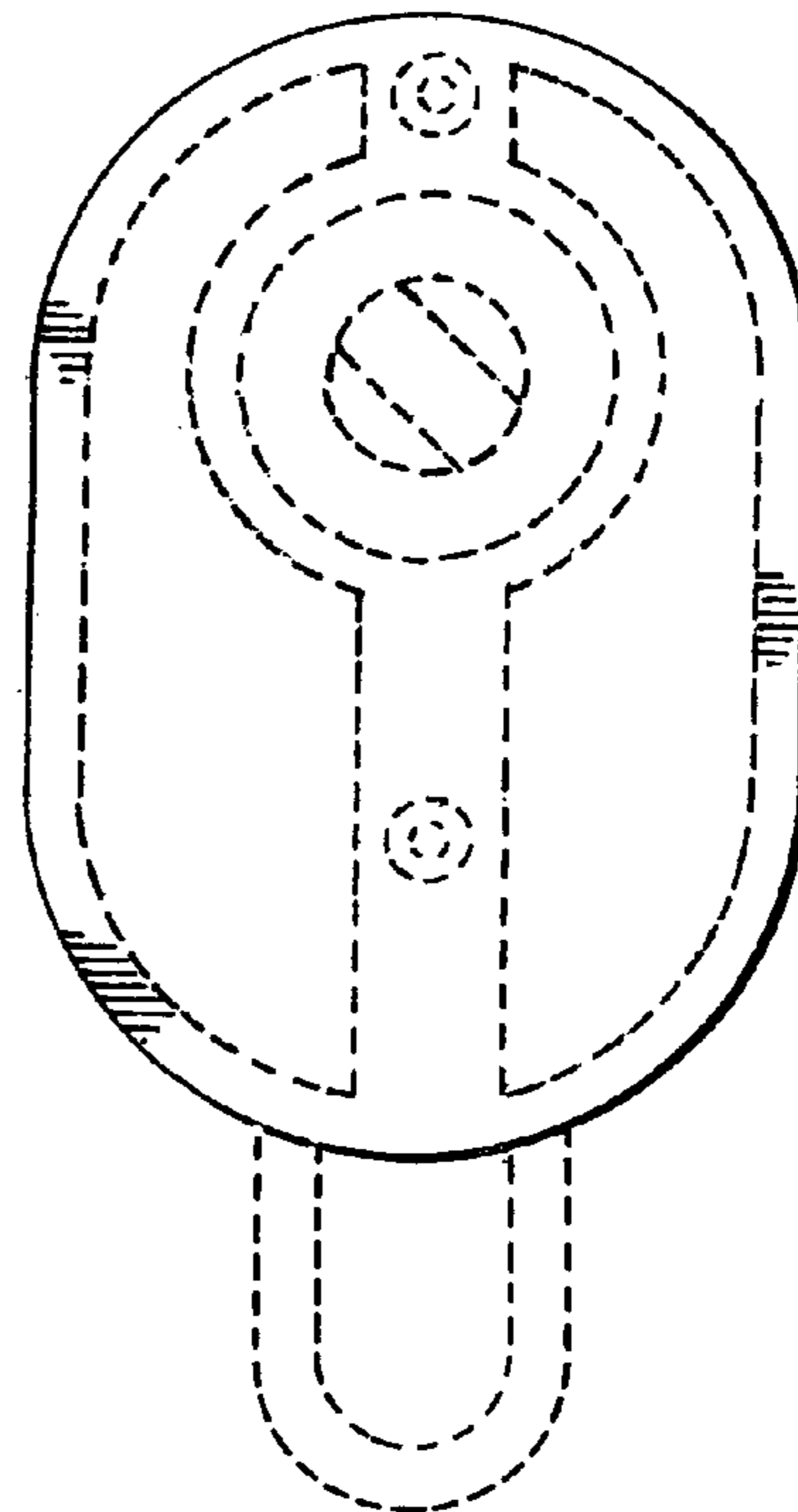


FIG. 4

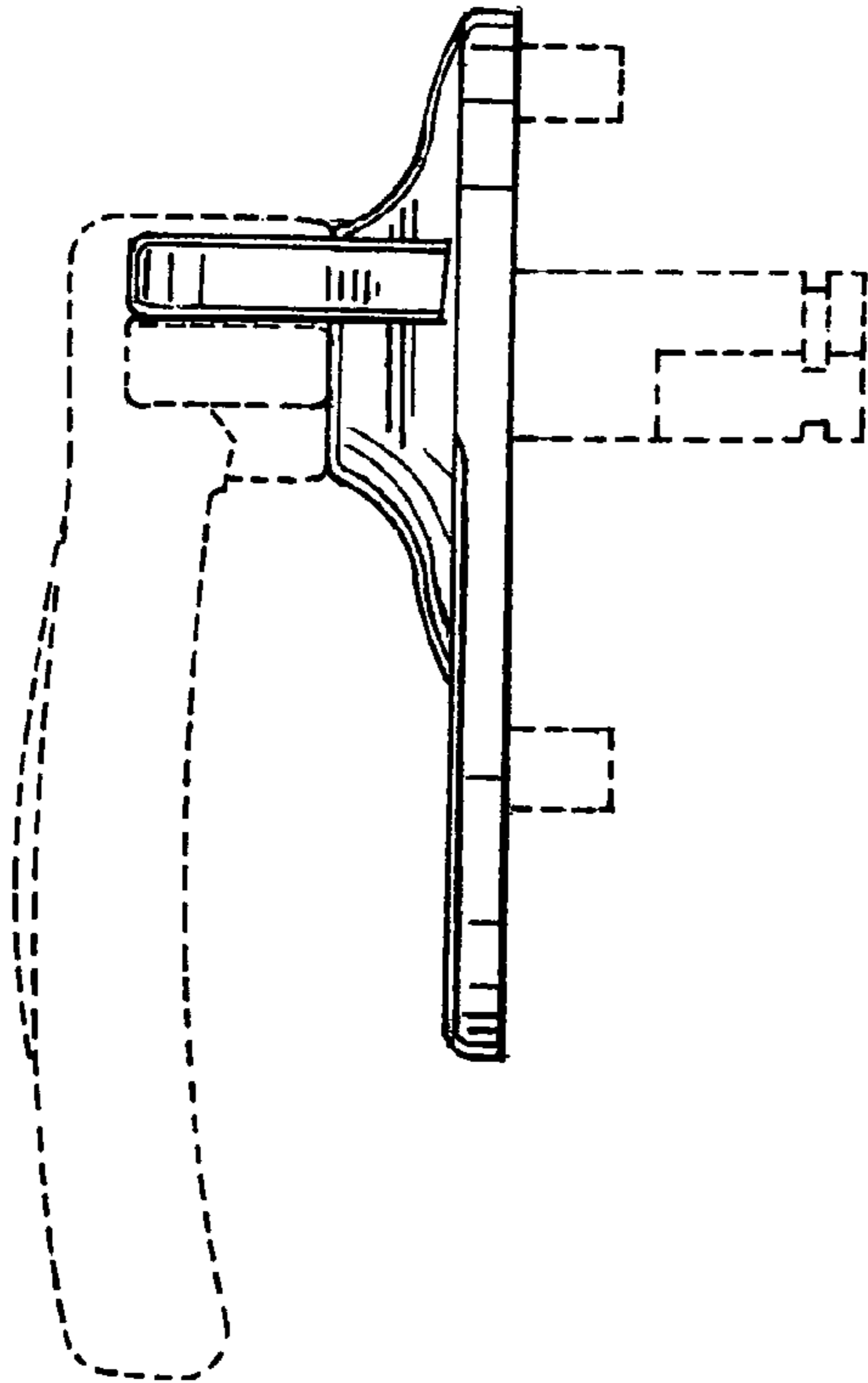


FIG. 6

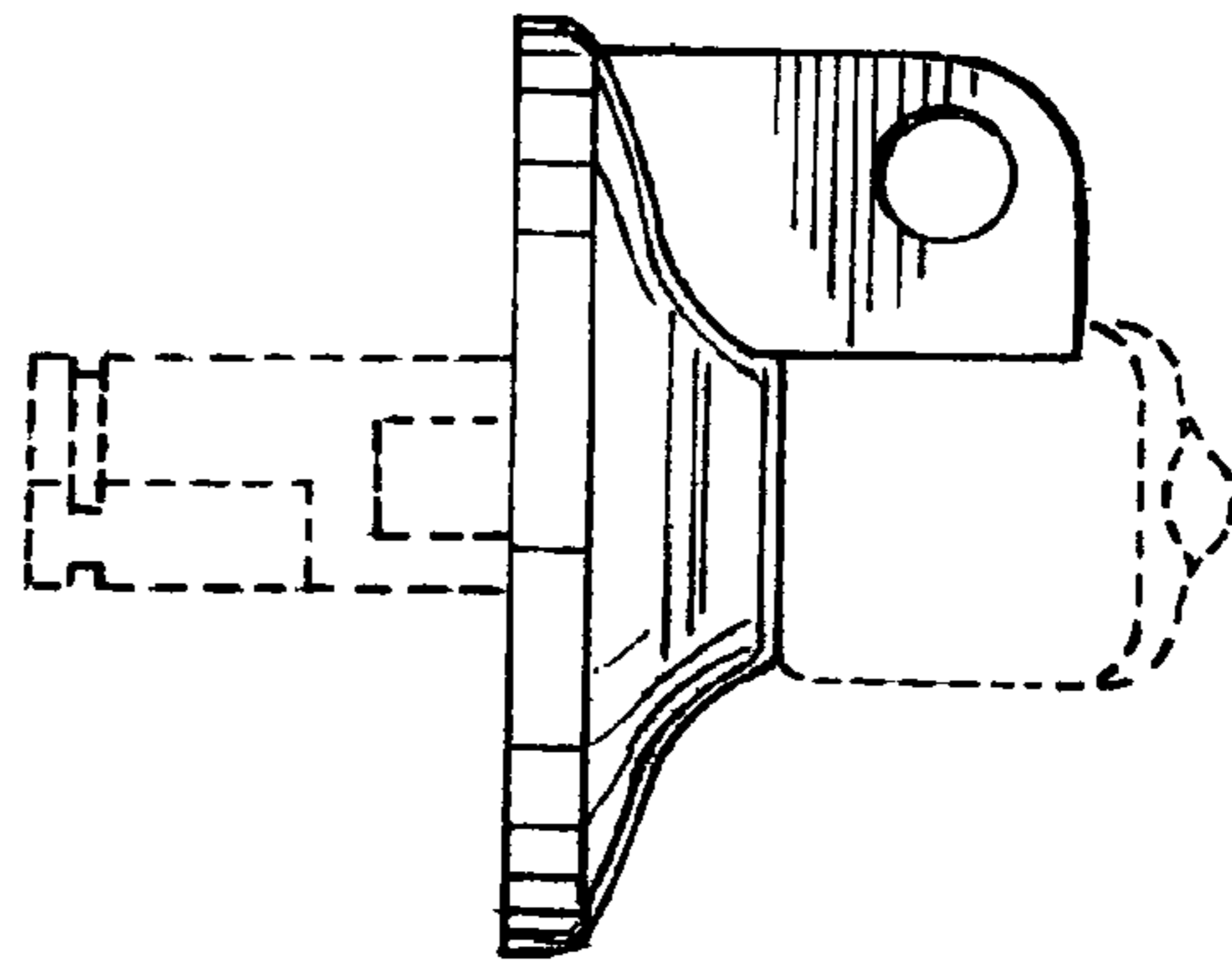


FIG. 5

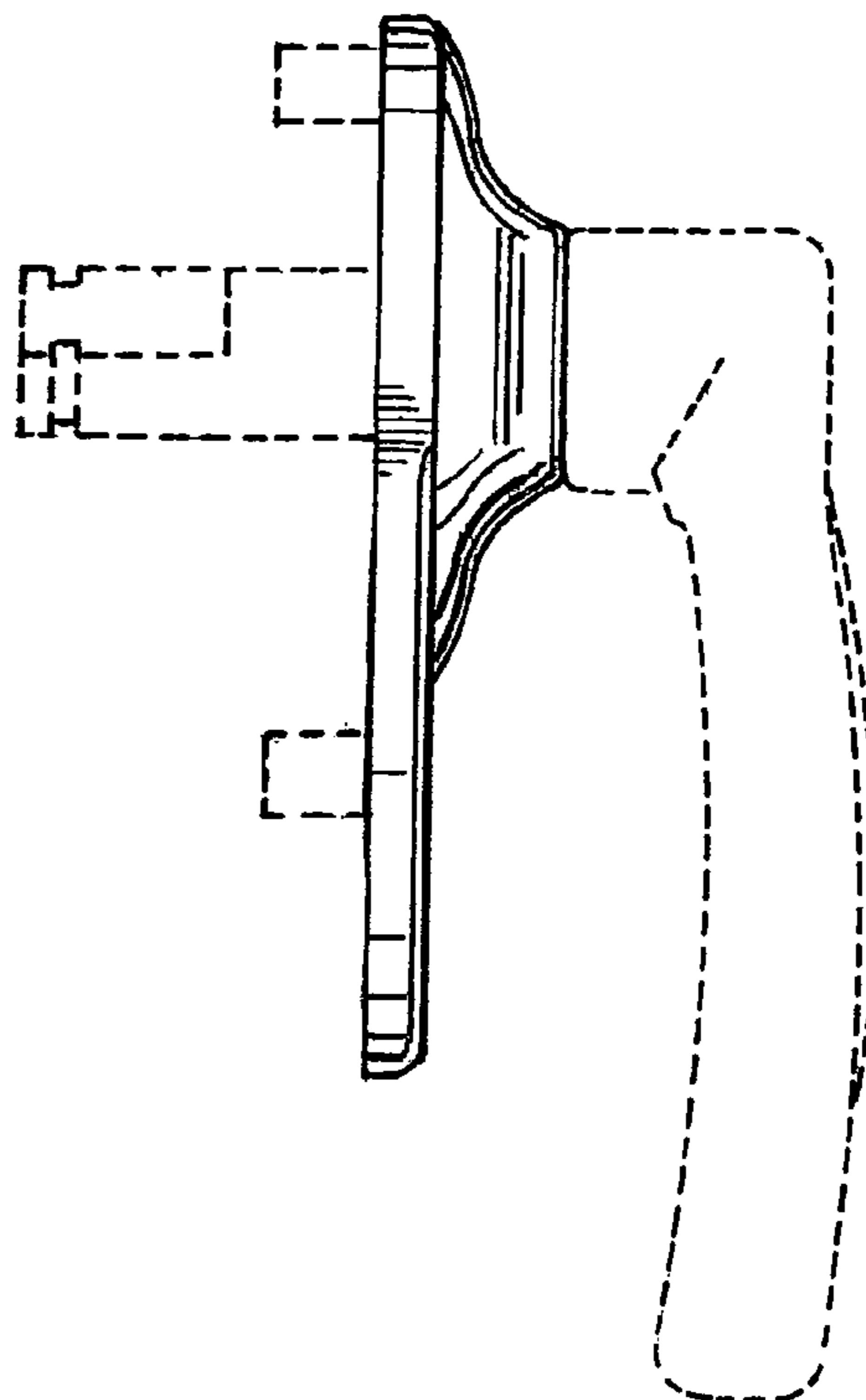


FIG. 7

