



US00D686610S

(12) **United States Design Patent**
Martinoli

(10) **Patent No.:** **US D686,610 S**
(45) **Date of Patent:** **** Jul. 23, 2013**

(54) **INTERACTIVE DESKTOP**

(75) Inventor: **Jean-Baptiste Martinoli,**
St-Anaclet-de-Lessard (CA)

(73) Assignee: **ExoPC,** Montreal, Quebec (CA)

(**) Term: **14 Years**

(21) Appl. No.: **29/422,691**

(22) Filed: **May 23, 2012**

(30) **Foreign Application Priority Data**

Nov. 23, 2011 (CA) 143354

(51) **LOC (9) Cl.** **14-02**

(52) **U.S. Cl.**
USPC **D14/305**

(58) **Field of Classification Search**
USPC D14/300-308, 311, 312, 463, 371,
D14/140.11; D18/36-39; D16/221; 355/18,
355/78, 82, 83, 113, 114, 68; 356/432, 445;
358/475, 487; 705/36 R; D6/422

See application file for complete search history.

(56) **References Cited**

U.S. PATENT DOCUMENTS

D353,368	S	*	12/1994	Poulos	D14/305
D462,678	S	*	9/2002	Abboud	D14/304
6,867,886	B2	*	3/2005	Lassen	358/487
D571,365	S	*	6/2008	Morelock et al.	D14/371
D571,804	S	*	6/2008	Morelock et al.	D14/371
D654,494	S	*	2/2012	Sirotych	D14/305

* cited by examiner

Primary Examiner — Freda S Nunn

(74) *Attorney, Agent, or Firm* — Pearl Cohen Zedek Latzer, LLP

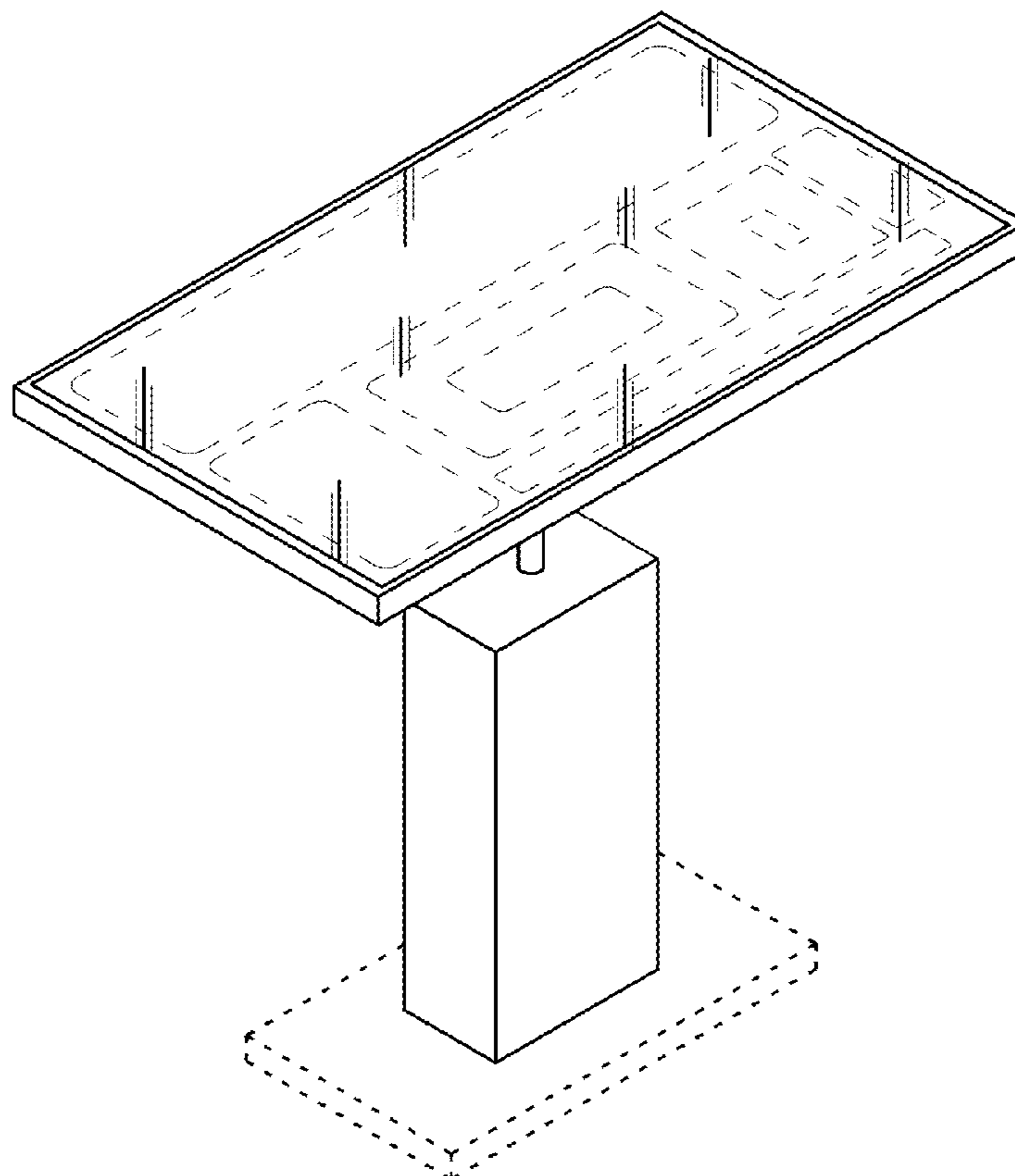
(57) **CLAIM**

The ornamental design for an interactive desktop, as shown and described.

DESCRIPTION

FIG. 1 is a top, front, left side perspective view of the interactive desktop;
FIG. 2 is a top plan view thereof;
FIG. 3 is a front elevational view thereof;
FIG. 4 is a left side elevational view thereof;
FIG. 5 is a back elevational view thereof; and,
FIG. 6 is a right side elevational view thereof.
The broken line portions form no part of the claimed design.

1 Claim, 3 Drawing Sheets



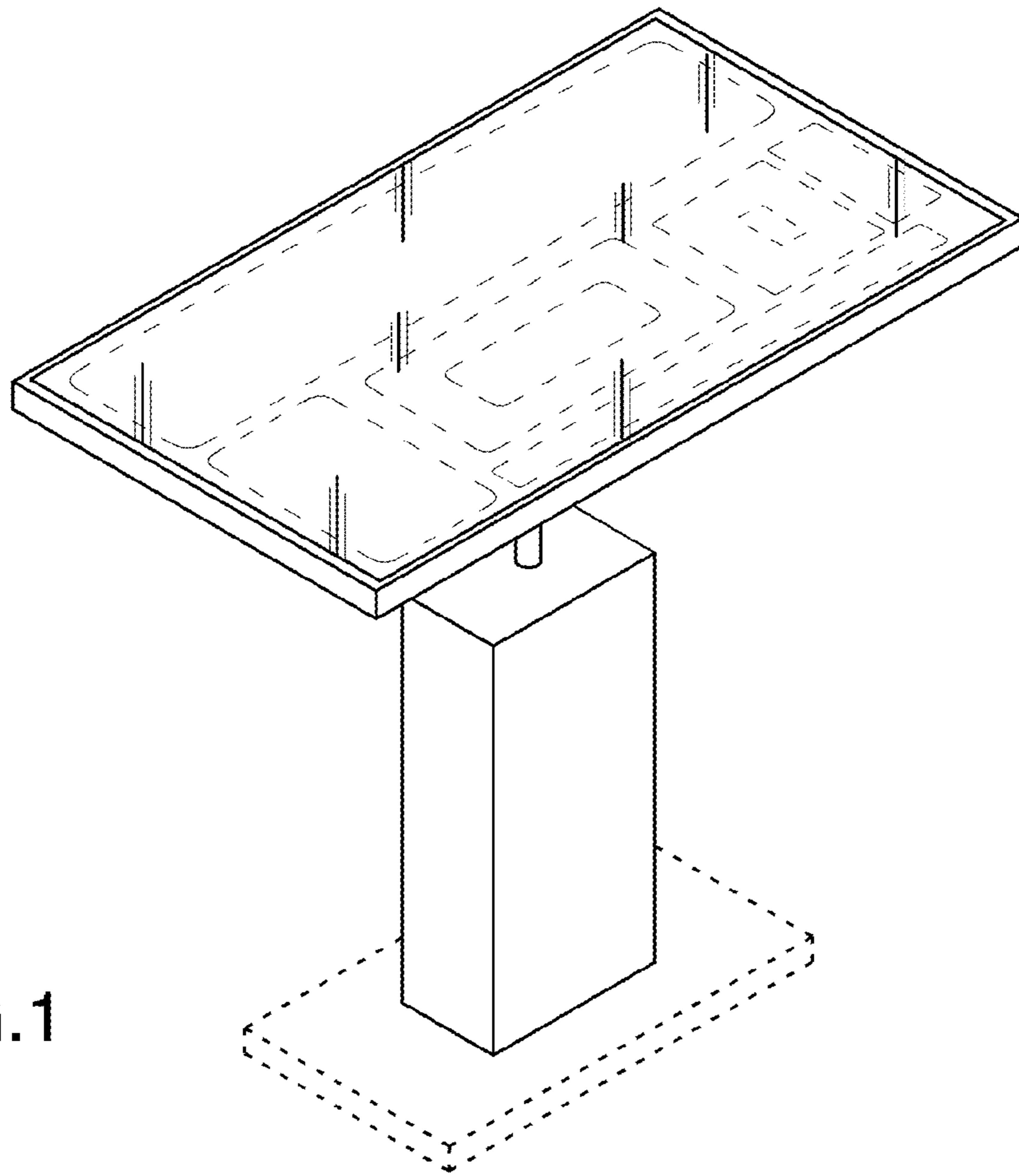


FIG. 1

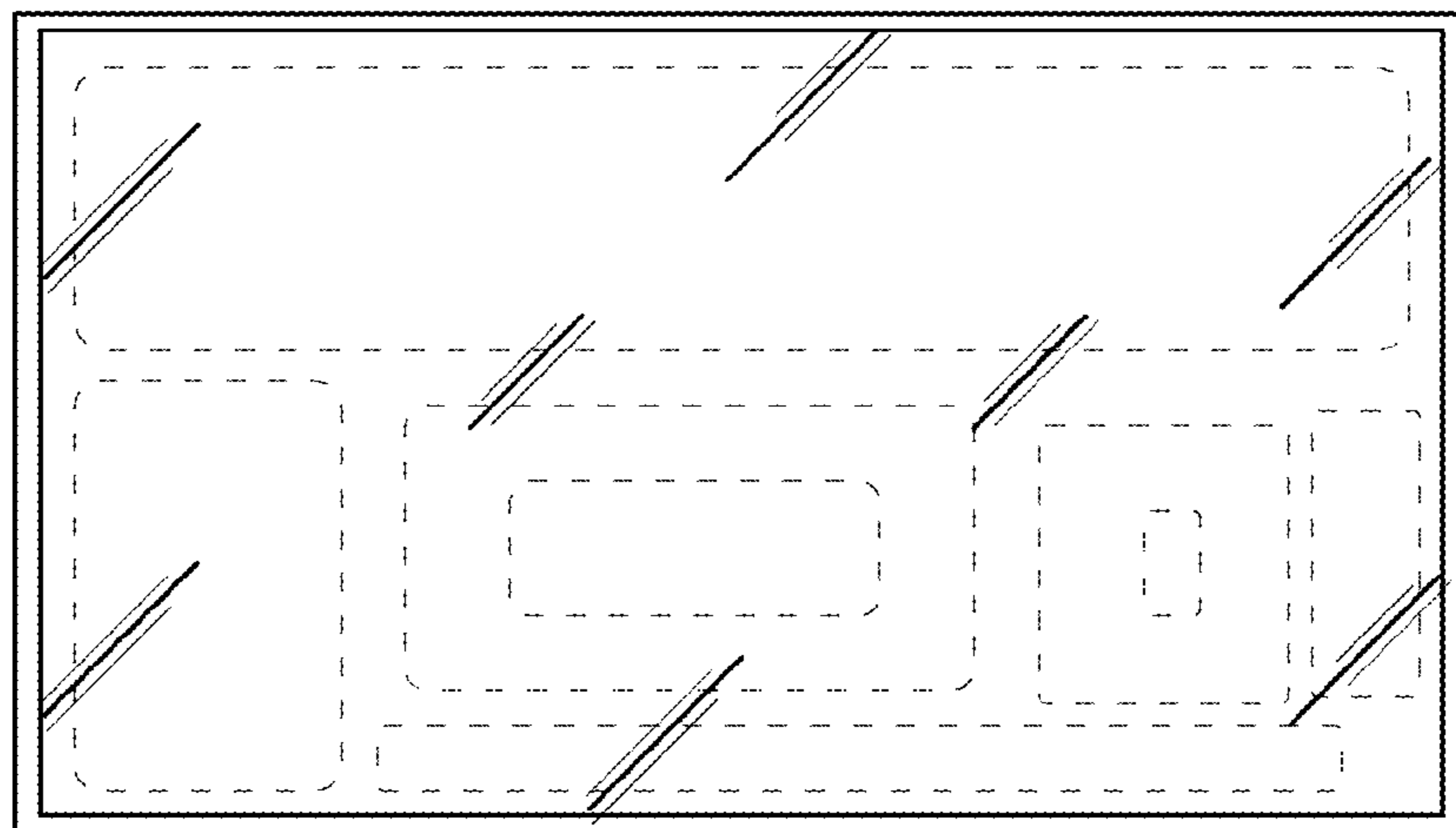


FIG. 2

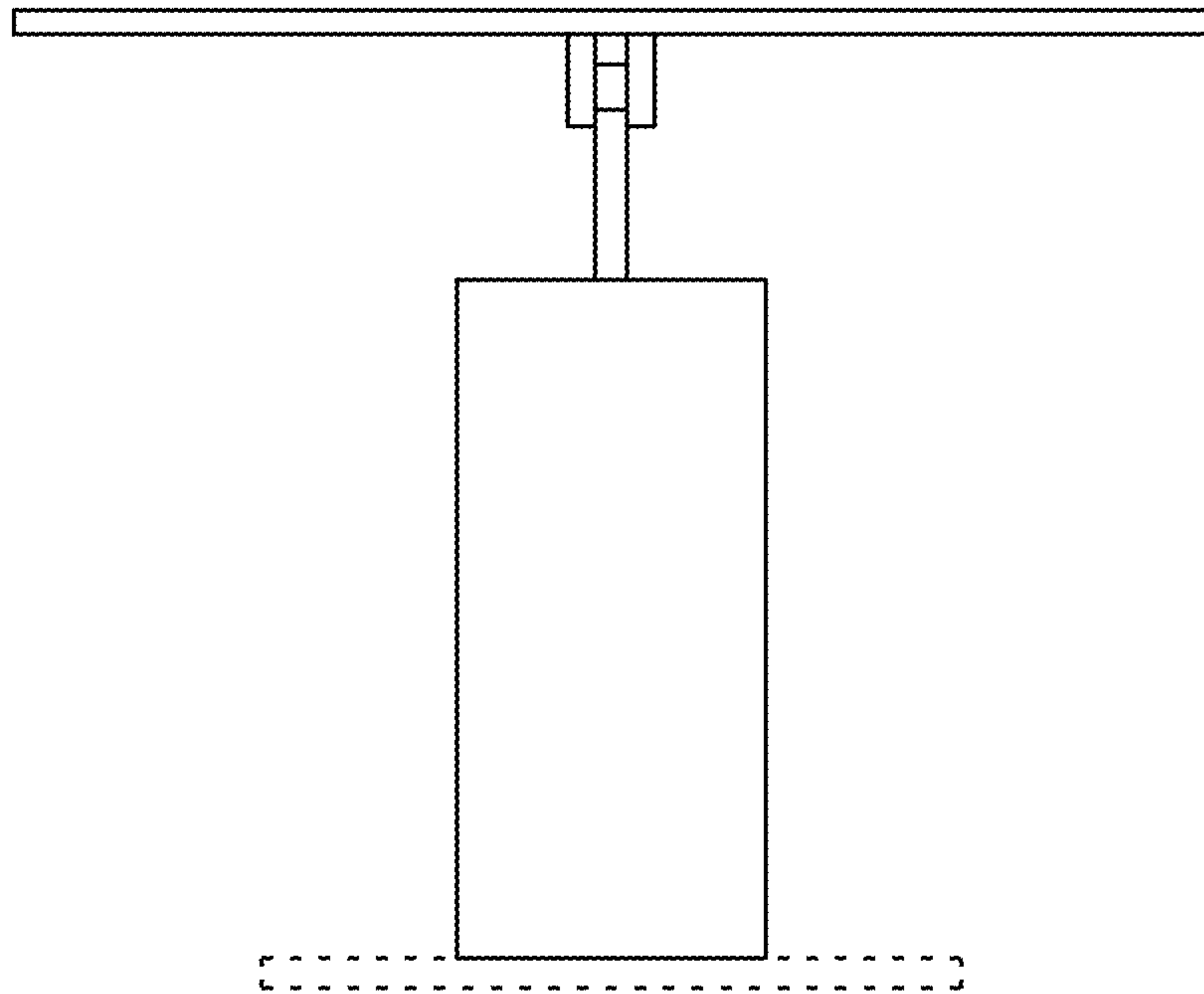


FIG.3

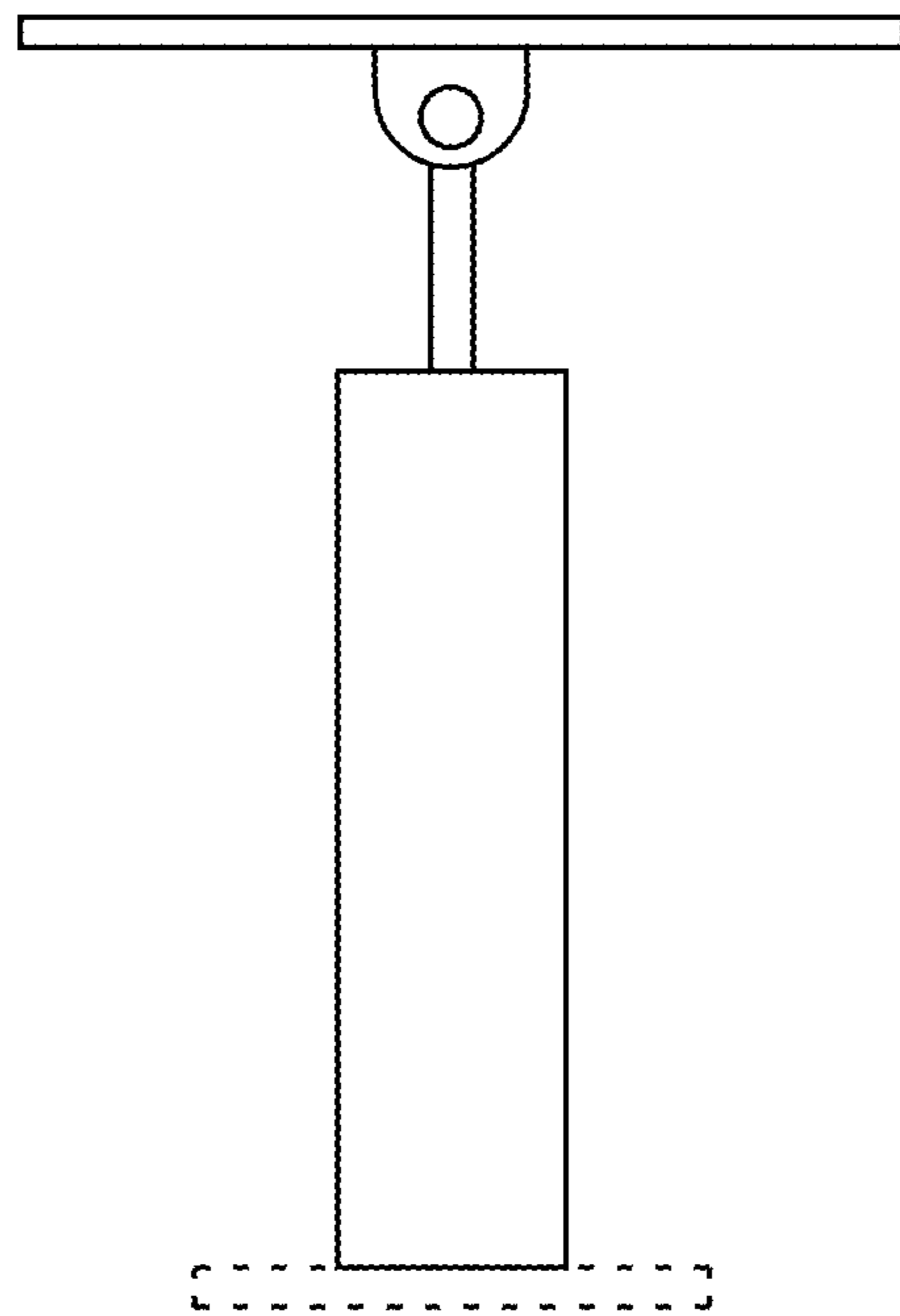


FIG.4

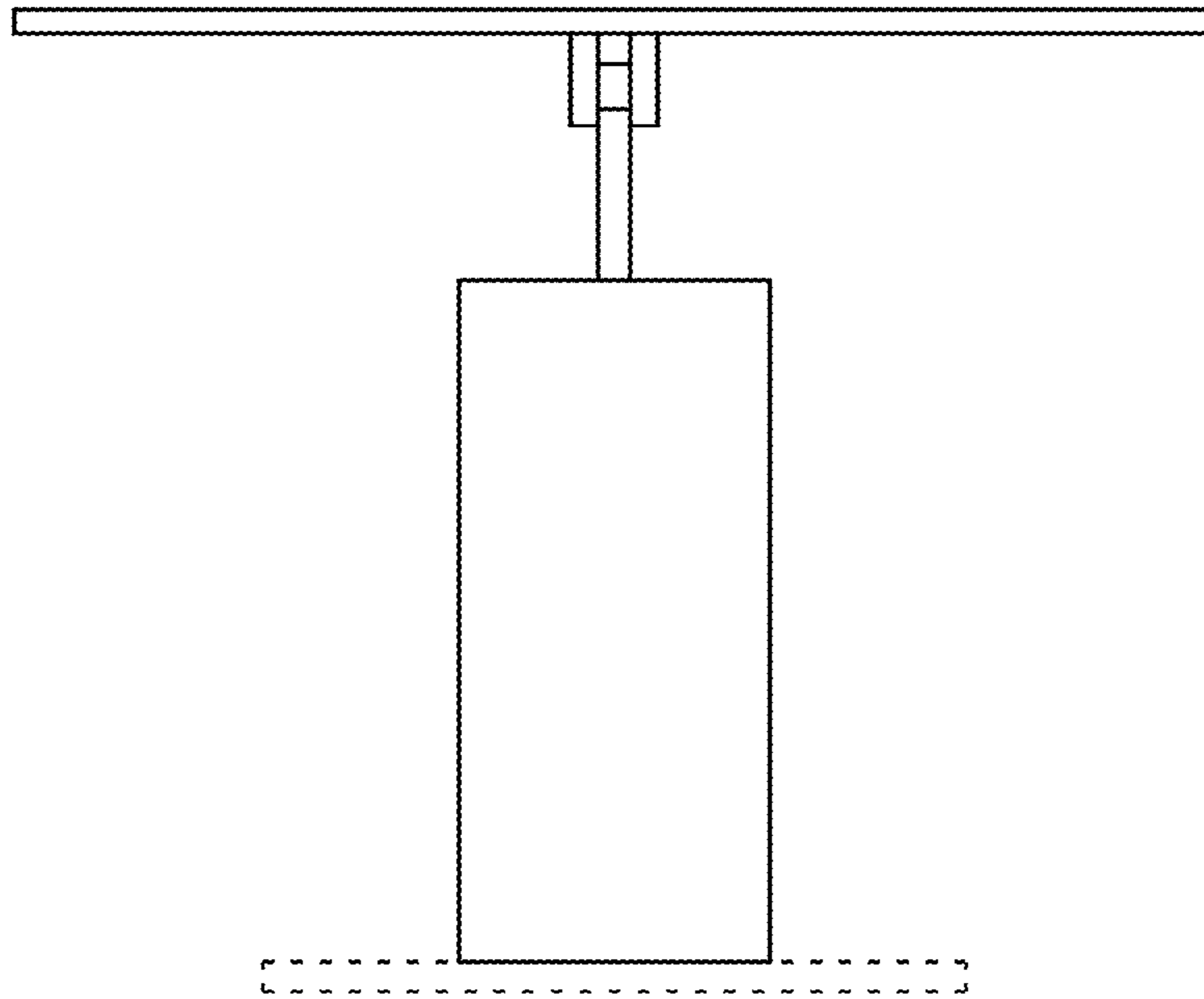


FIG. 5

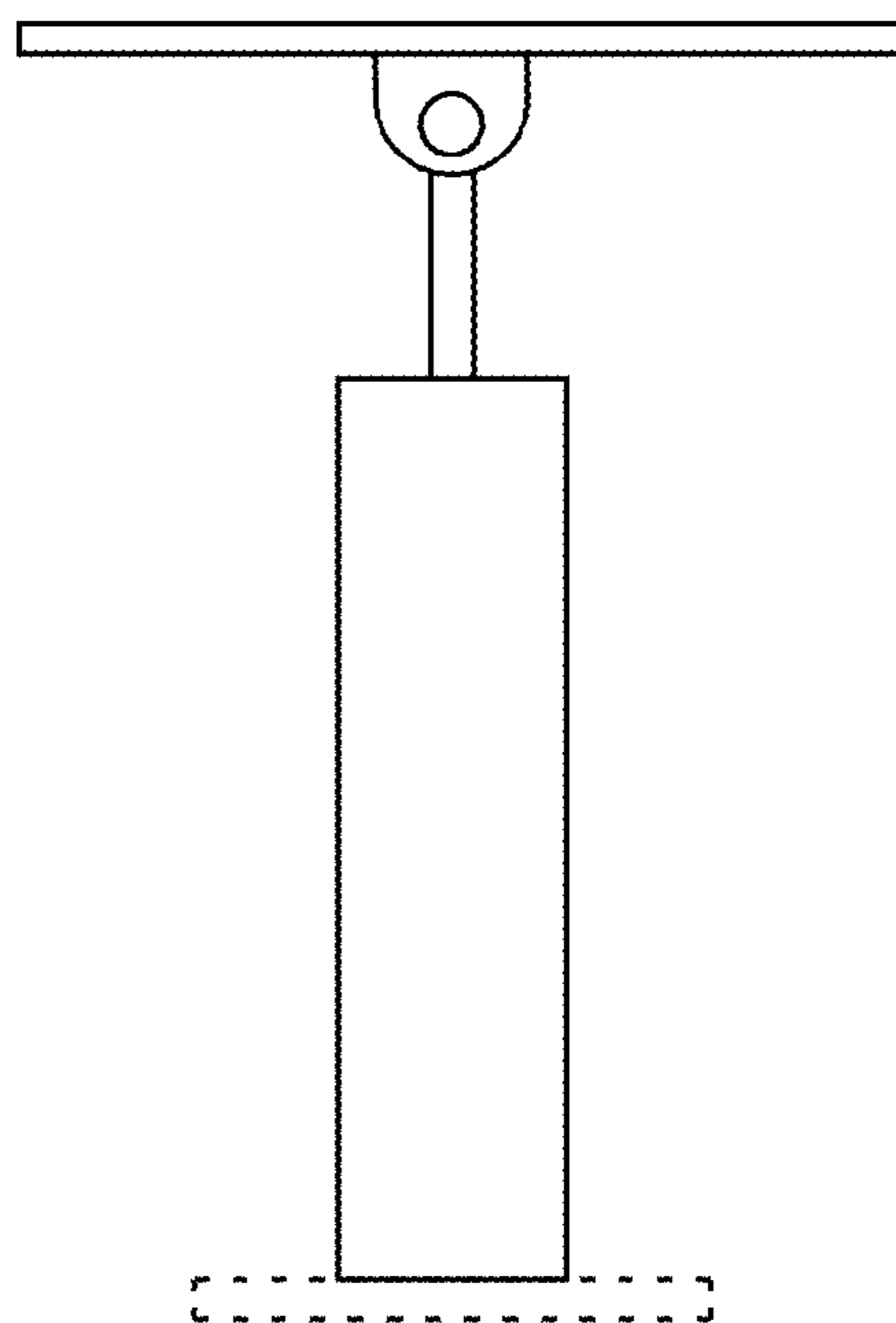


FIG. 6