



US00D686609S

(12) **United States Design Patent**
Kadivar

(10) **Patent No.:** **US D686,609 S**
(45) **Date of Patent:** **** Jul. 23, 2013**

(54) **PORTABLE LOW PROFILE FLEXIBLE
ANGLE STAND FOR ELECTRONIC DEVICES**

(71) Applicant: **Mohammad Reza Danesh Kadivar,**
Santa Clara, CA (US)

(72) Inventor: **Mohammad Reza Danesh Kadivar,**
Santa Clara, CA (US)

(**) Term: **14 Years**

(21) Appl. No.: **29/433,298**

(22) Filed: **Sep. 27, 2012**

(51) **LOC (9) Cl.** **14-03**

(52) **U.S. Cl.**
USPC **D14/253**

(58) **Field of Classification Search**
USPC D14/140, 140.8, 142, 243–256, 434,
D14/447; D3/215, 218, 269; D2/861; D6/300,
D6/310, 467, 553–574; 292/342, 343; D19/90;
D12/415

See application file for complete search history.

(56) **References Cited**

U.S. PATENT DOCUMENTS

D279,185	S	*	6/1985	Felix et al.	D14/251
D407,710	S	*	4/1999	Poulos	D14/251
6,256,193	B1	*	7/2001	Janik et al.	361/679.59
D471,548	S	*	3/2003	Zheng	D14/253
D494,977	S	*	8/2004	Persson	D14/447
D513,008	S	*	12/2005	Takizawa et al.	D14/447
D555,163	S	*	11/2007	Beilstein et al.	D14/451
7,333,327	B1	*	2/2008	Ho et al.	361/679.55
D623,642	S	*	9/2010	Wang	D14/253
D632,122	S	*	2/2011	Foster	D6/635
D637,583	S	*	5/2011	Beal et al.	D14/217
D637,952	S	*	5/2011	Tan	D13/108
D639,816	S	*	6/2011	Bau	D14/447
8,056,871	B2	*	11/2011	Matias	248/176.1
D658,168	S	*	4/2012	Werth	D14/253
D664,528	S	*	7/2012	Chen et al.	D14/253
D666,614	S	*	9/2012	Ding	D14/253
D667,012	S	*	9/2012	Chen et al.	D14/447
D667,831	S	*	9/2012	Stravitz	D14/447

D670,296	S	*	11/2012	Seehoff	D14/447
D670,703	S	*	11/2012	Hasbrook et al.	D14/447
D671,934	S	*	12/2012	Alman et al.	D14/253
D672,352	S	*	12/2012	Gengler	D14/440
D672,783	S	*	12/2012	Robinson	D14/447
D673,567	S	*	1/2013	Yang	D14/434
D673,961	S	*	1/2013	Matsui et al.	D14/447
D676,853	S	*	2/2013	Gengler	D14/447

(Continued)

Primary Examiner — George D Kirschbaum
Assistant Examiner — Janice Hallmark

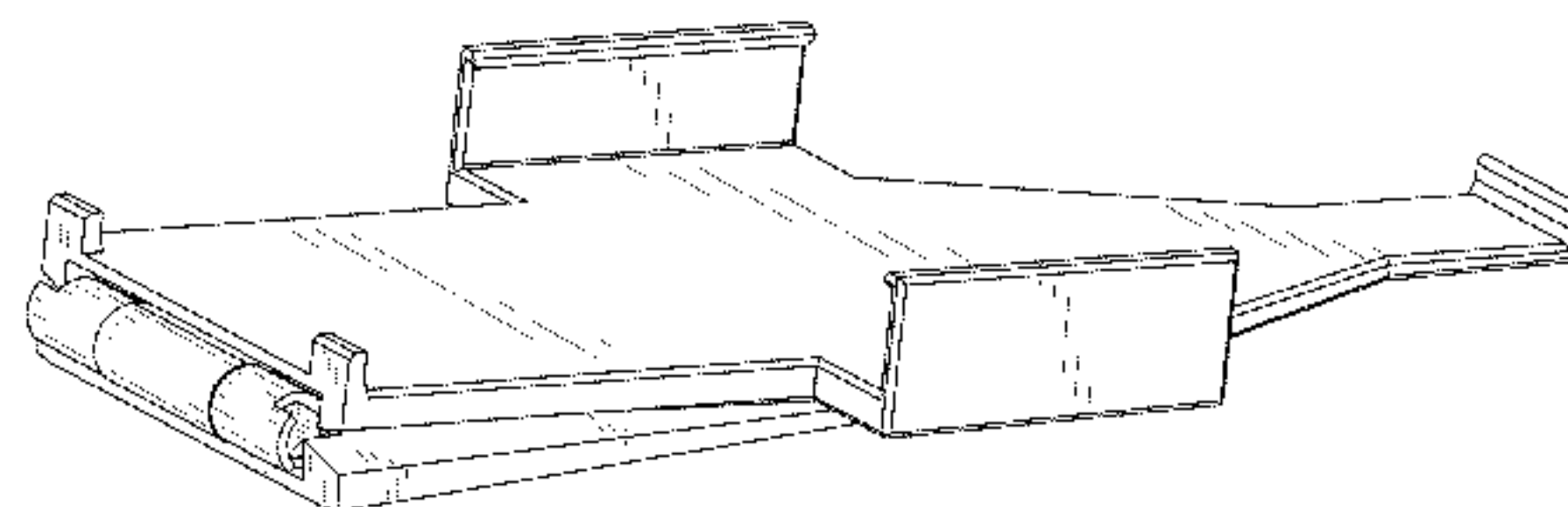
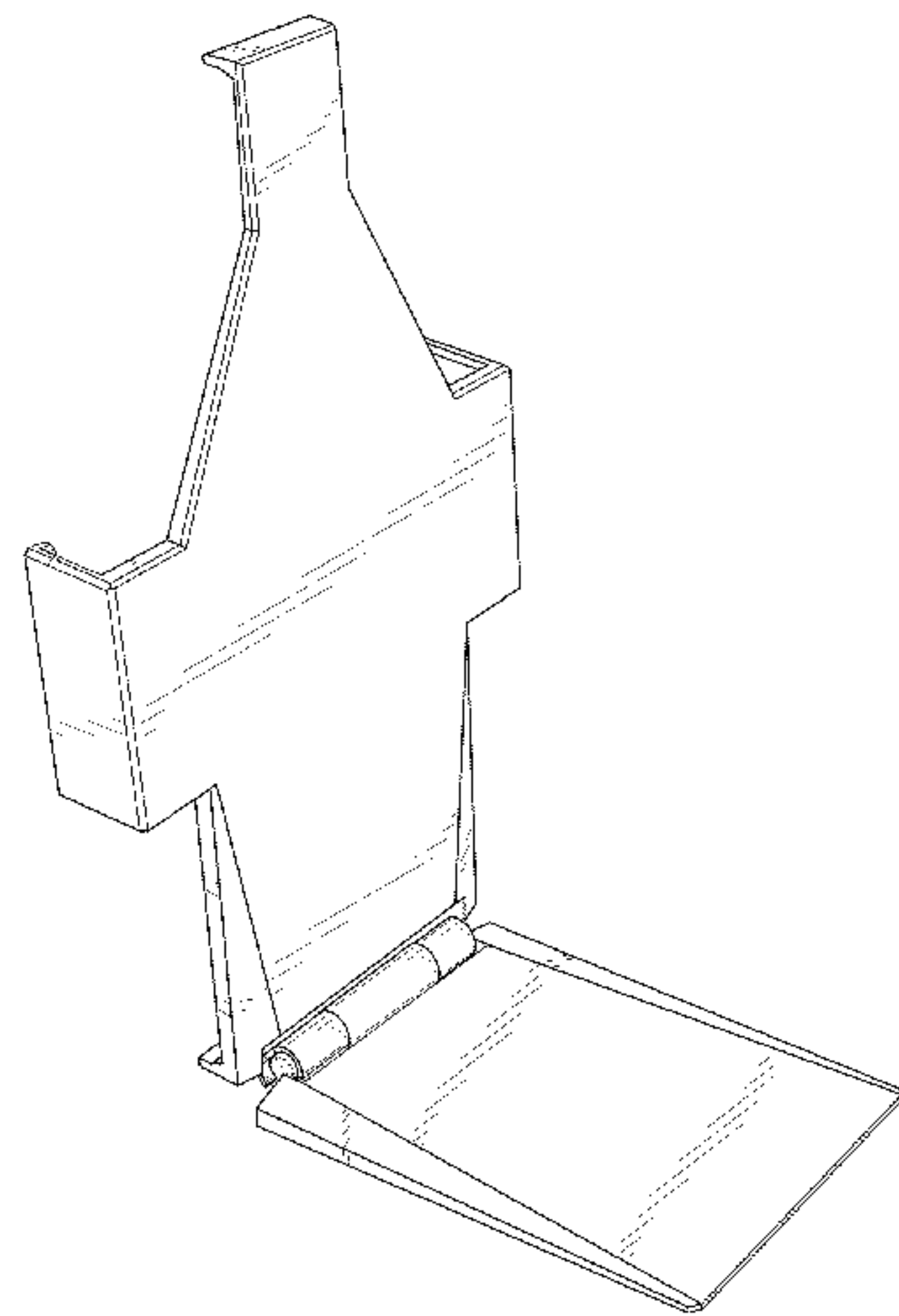
(57) **CLAIM**

The ornamental design for a portable low profile flexible angle stand for electronic devices, substantially as shown and described.

DESCRIPTION

FIG. 1 is a rear perspective view of a portable low profile flexible angle stand for electronic devices;
FIG. 2 is a front perspective view thereof;
FIG. 3 is a bottom perspective view thereof;
FIG. 4 is a rear view thereof;
FIG. 5 is a front view thereof;
FIG. 6 is a right side view thereof;
FIG. 7 is a left side view thereof;
FIG. 8 is a top view thereof;
FIG. 9 is a bottom view thereof;
FIG. 10 is a side perspective view of a portable low profile flexible angle stand for electronic devices in a backward leaning position;
FIG. 11 is a side perspective view of a portable low profile flexible angle stand for electronic devices in a fully backward closed position;
FIG. 12 is a side perspective view of a portable low profile flexible angle stand for electronic devices in a forward leaning position; and,
FIG. 13 is a side perspective view of a portable low profile flexible angle stand for electronic devices in a fully forward opened position.

1 Claim, 11 Drawing Sheets



US D686,609 S

Page 2

U.S. PATENT DOCUMENTS		2008/0108395 A1*	5/2008	Lee et al.	455/572
D678,299 S *	3/2013 Kadivar et al.	D14/452	2012/0074286 A1*	3/2012 Chou	248/346.03
8,387,938 B2 *	3/2013 Lin	248/456	* cited by examiner		

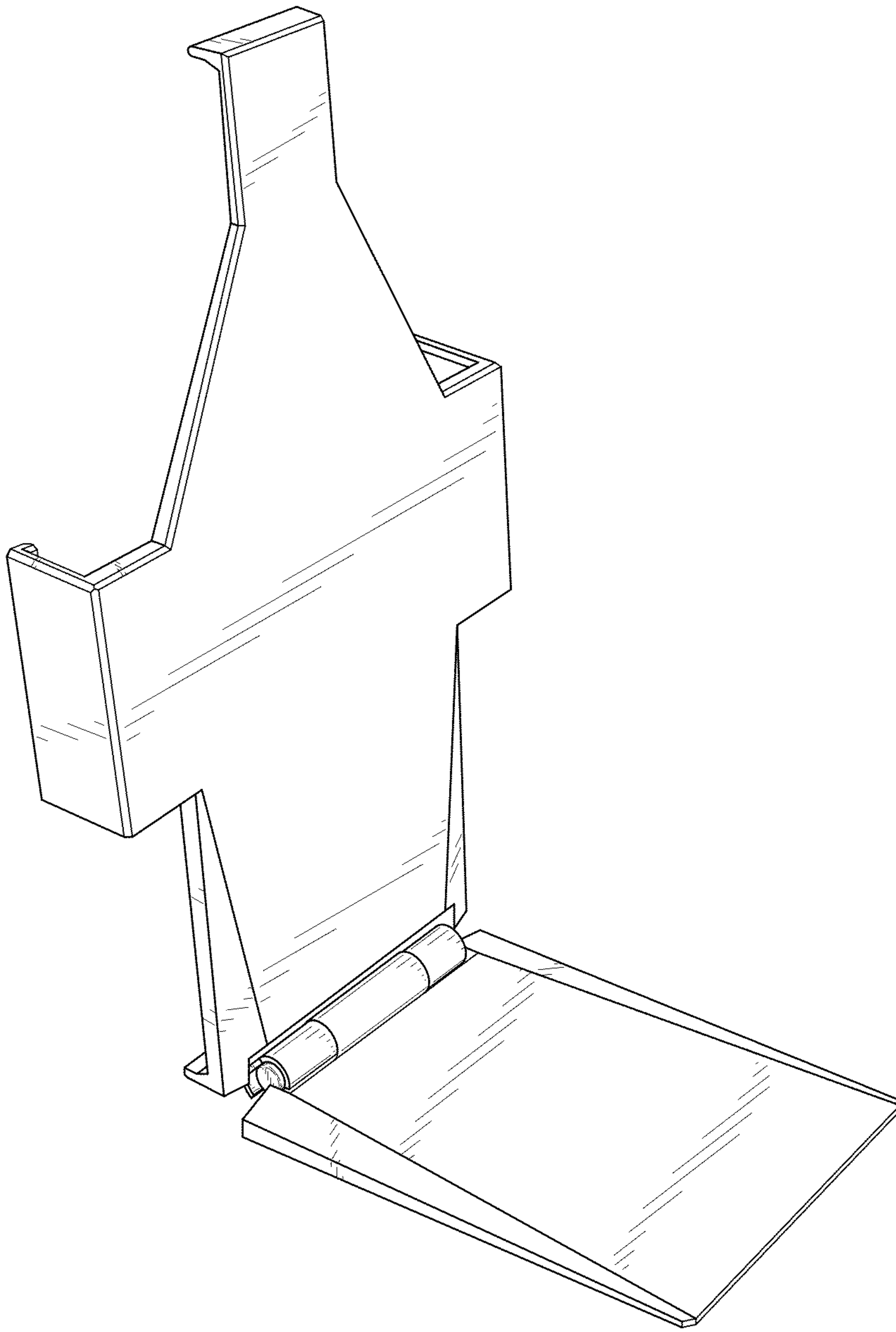


FIG. 1

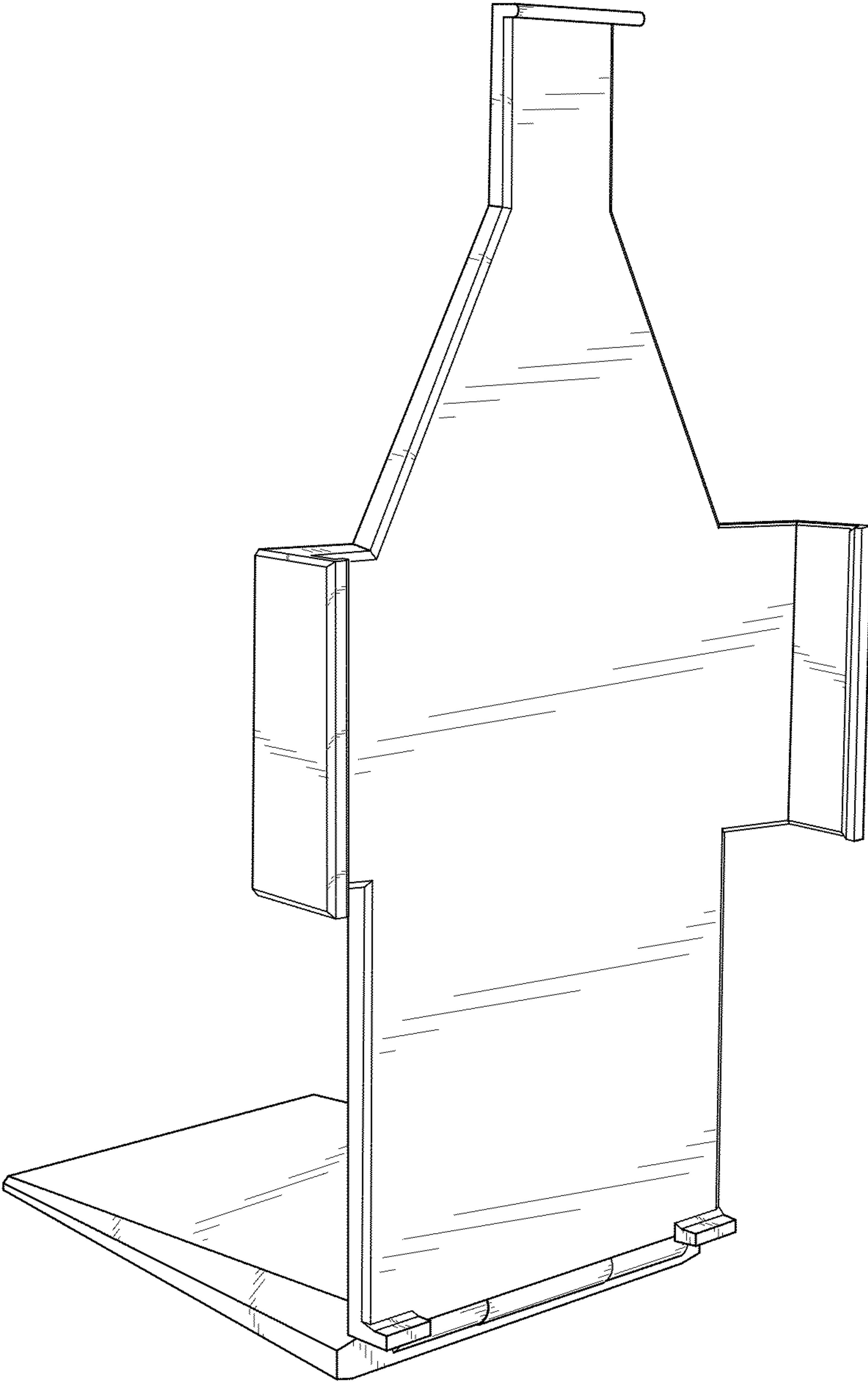


FIG. 2

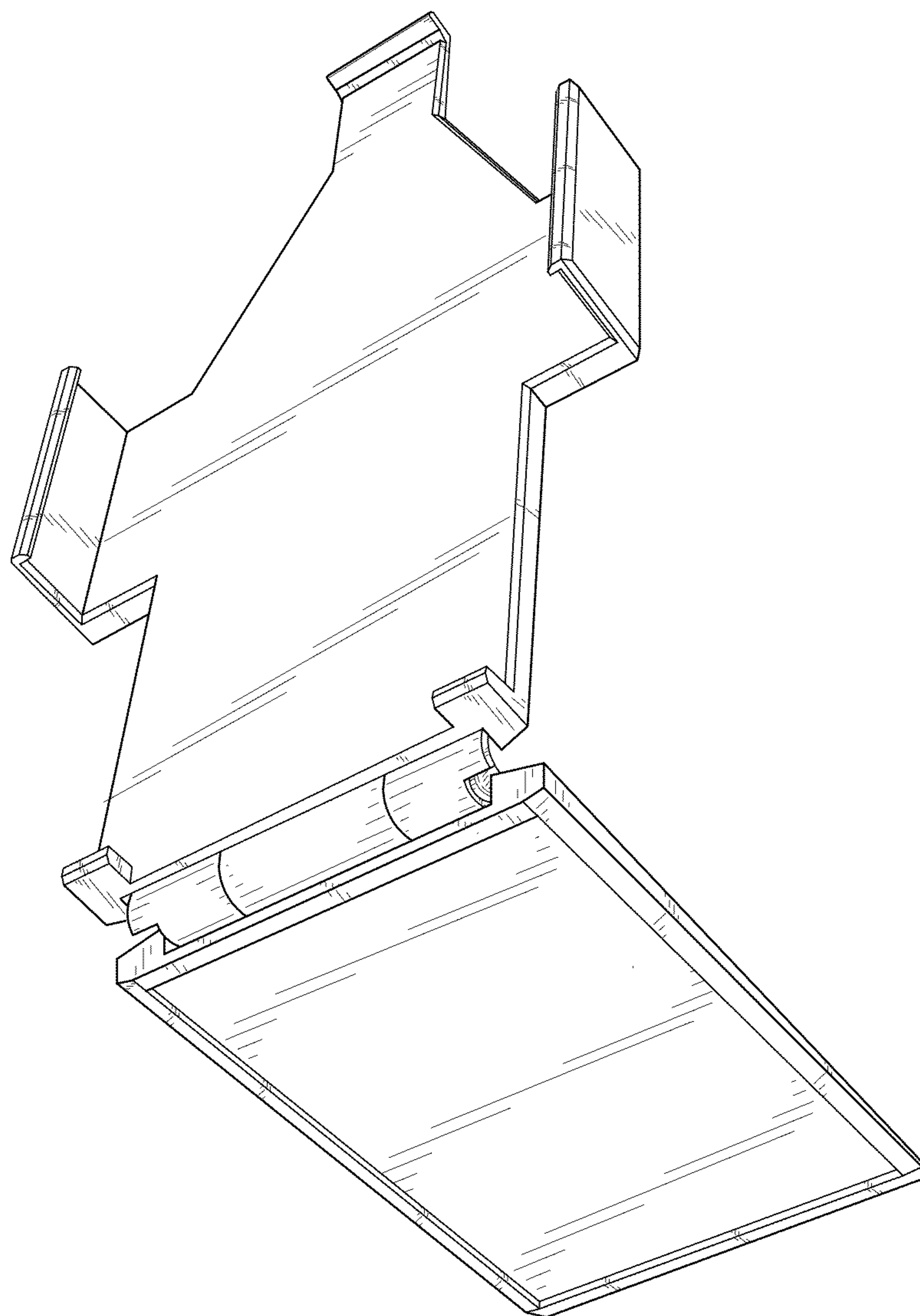


FIG. 3

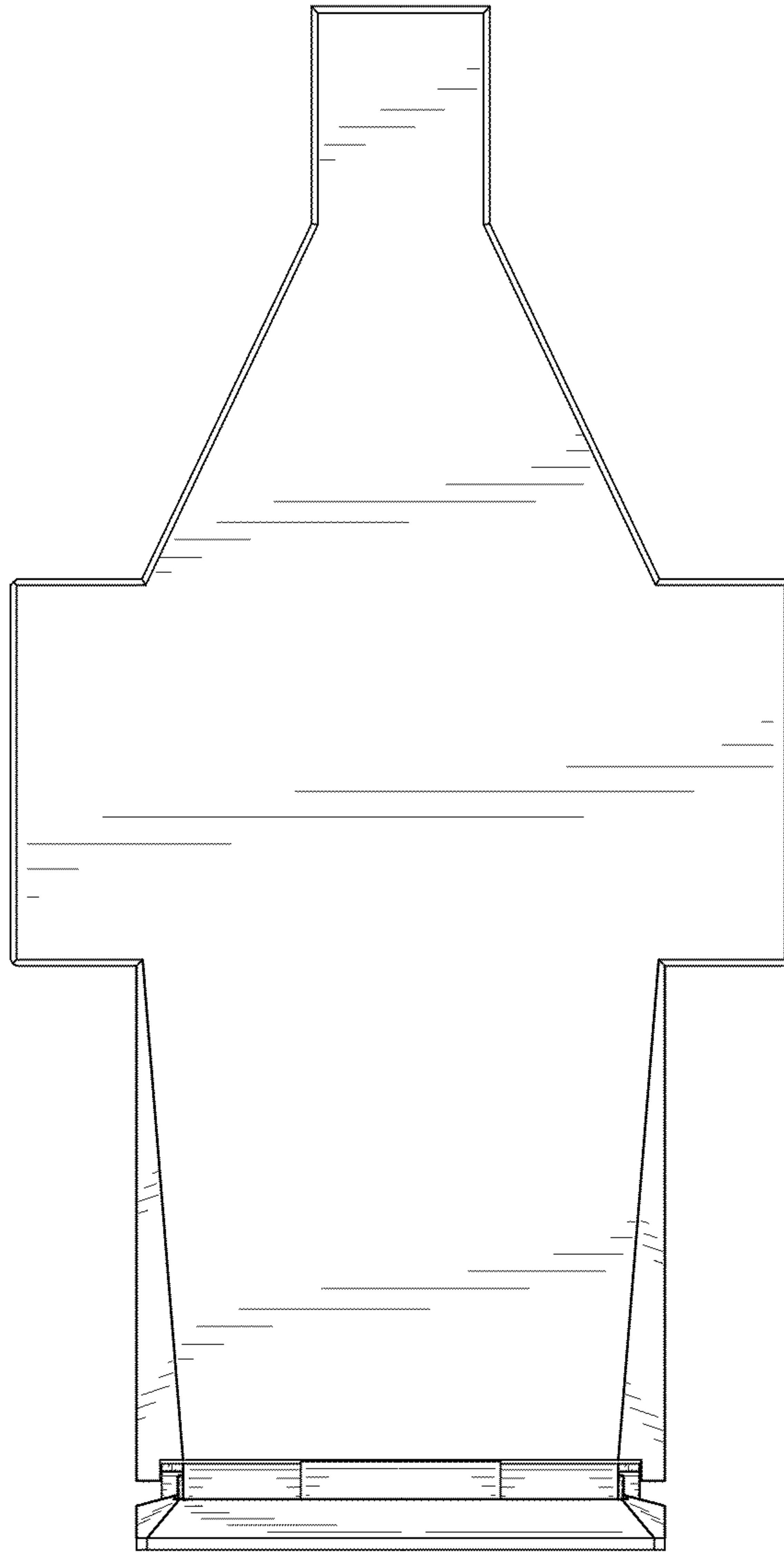


FIG. 4

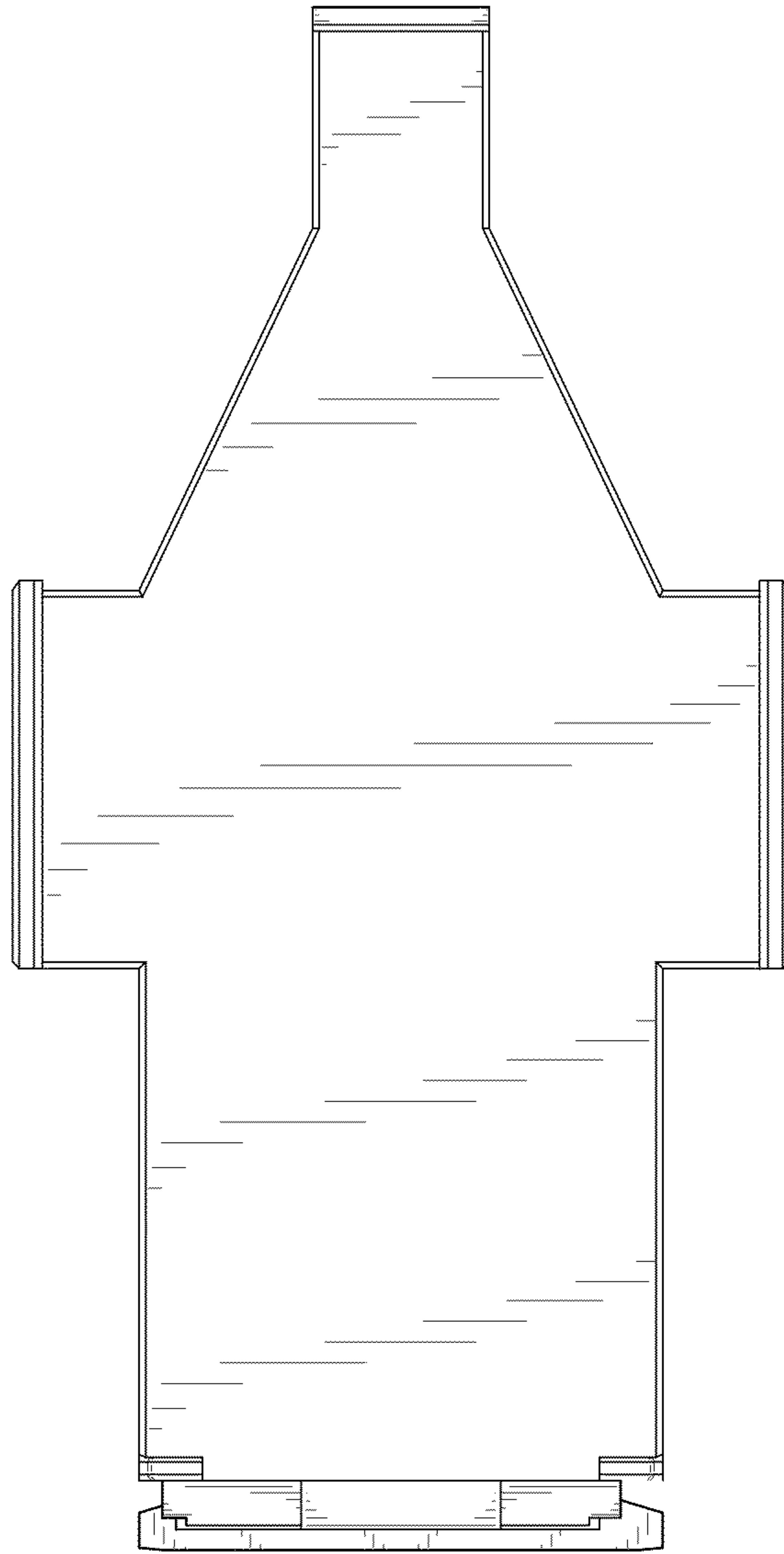


FIG. 5

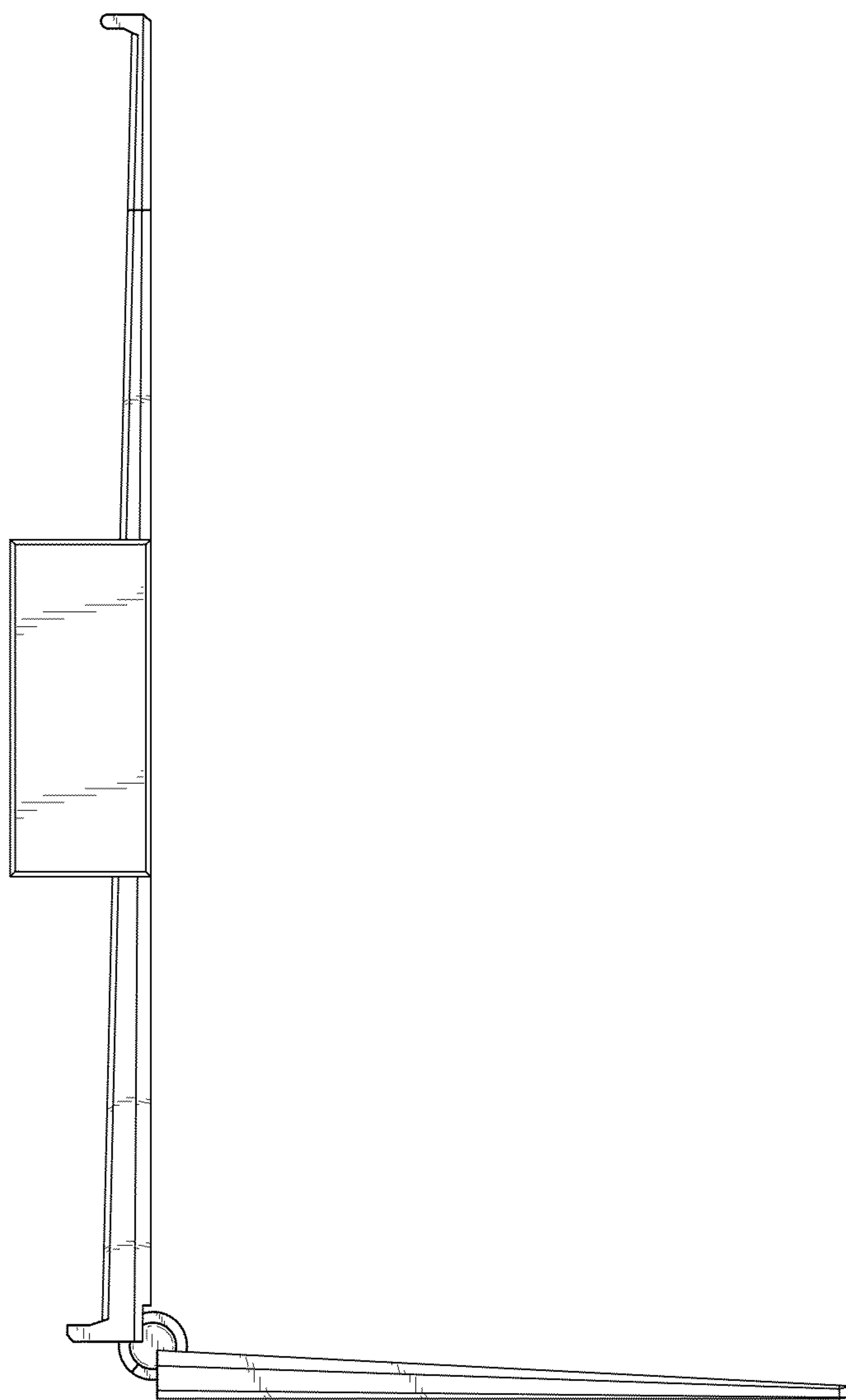


FIG. 6

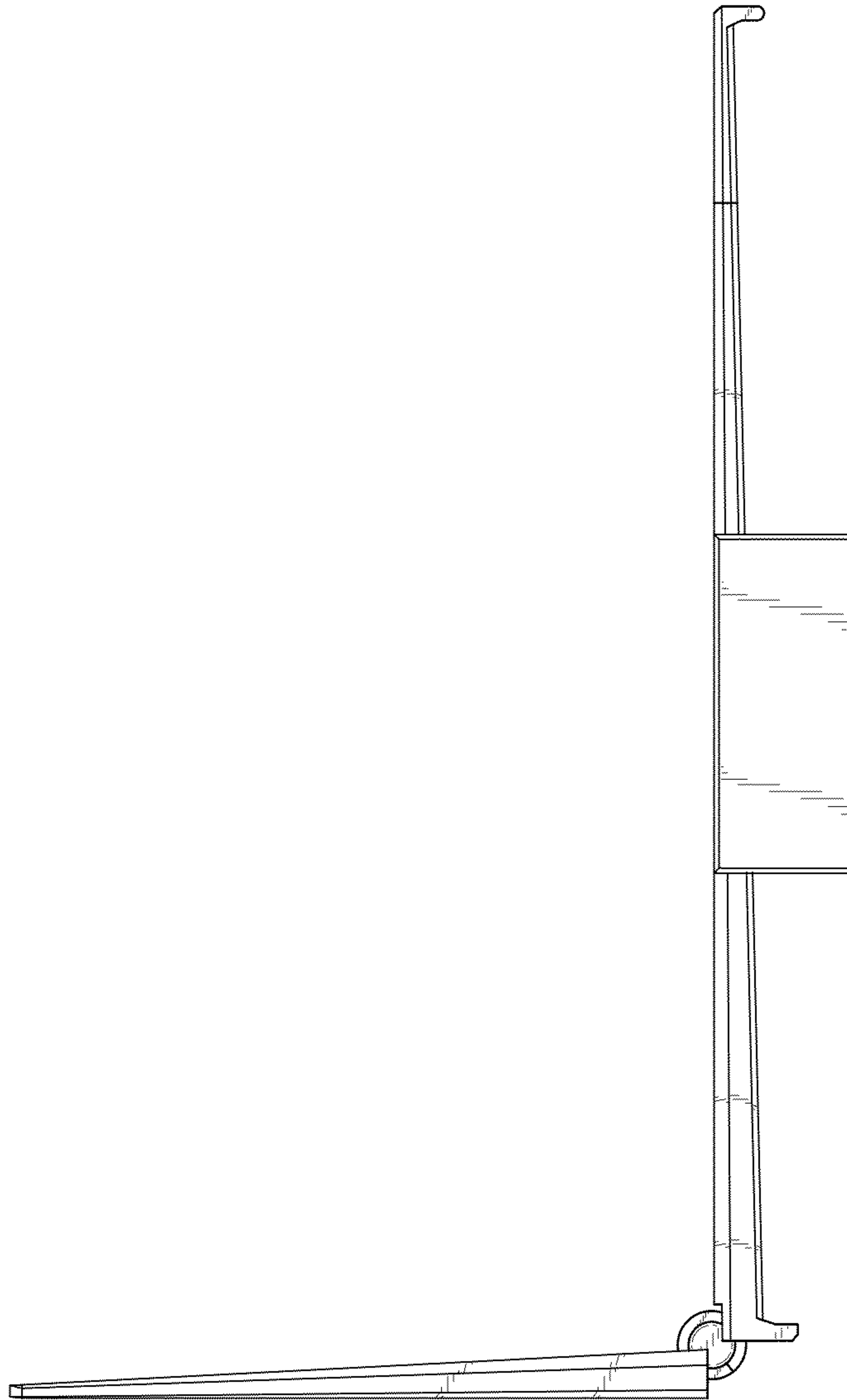


FIG. 7

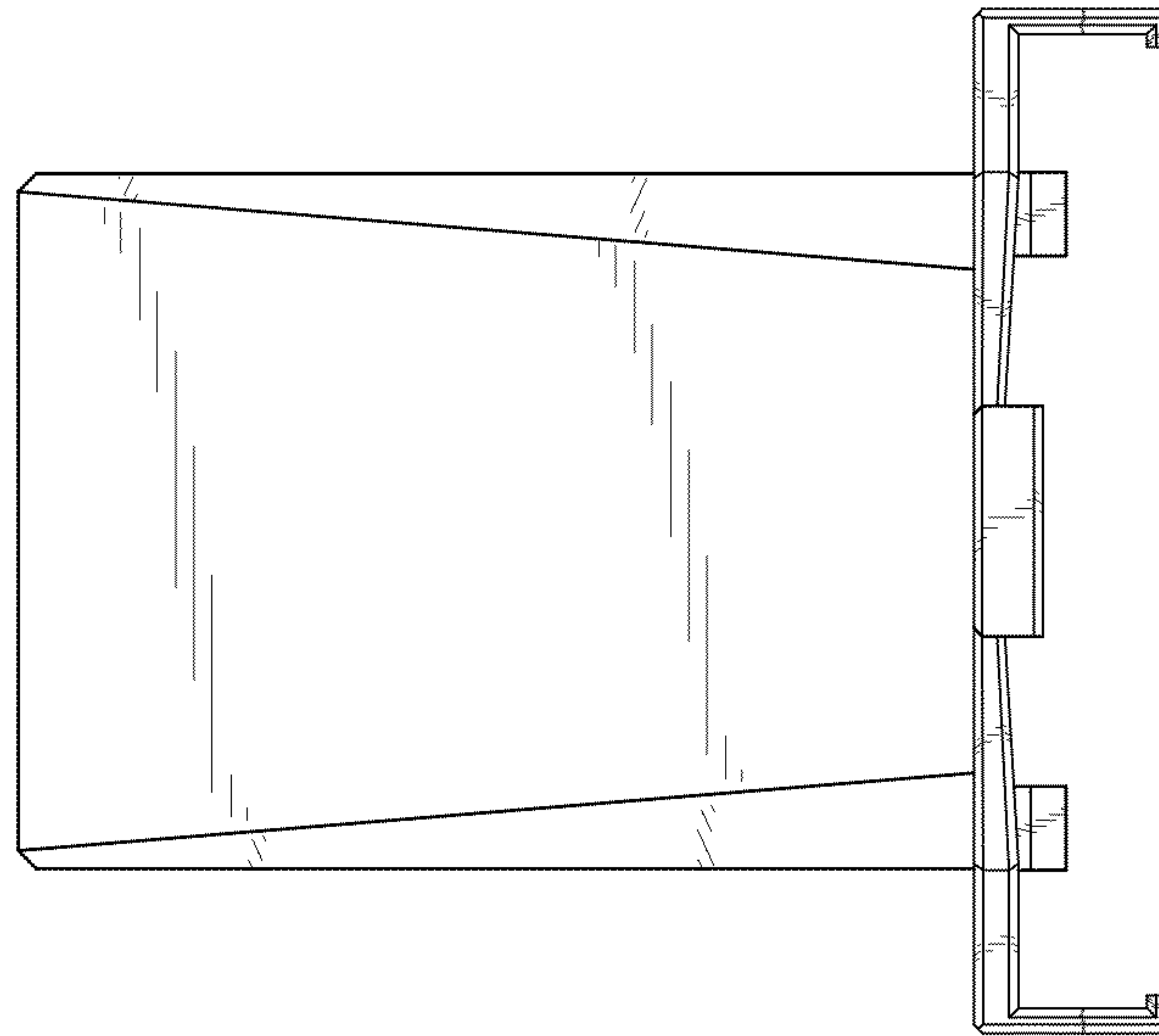


FIG. 8

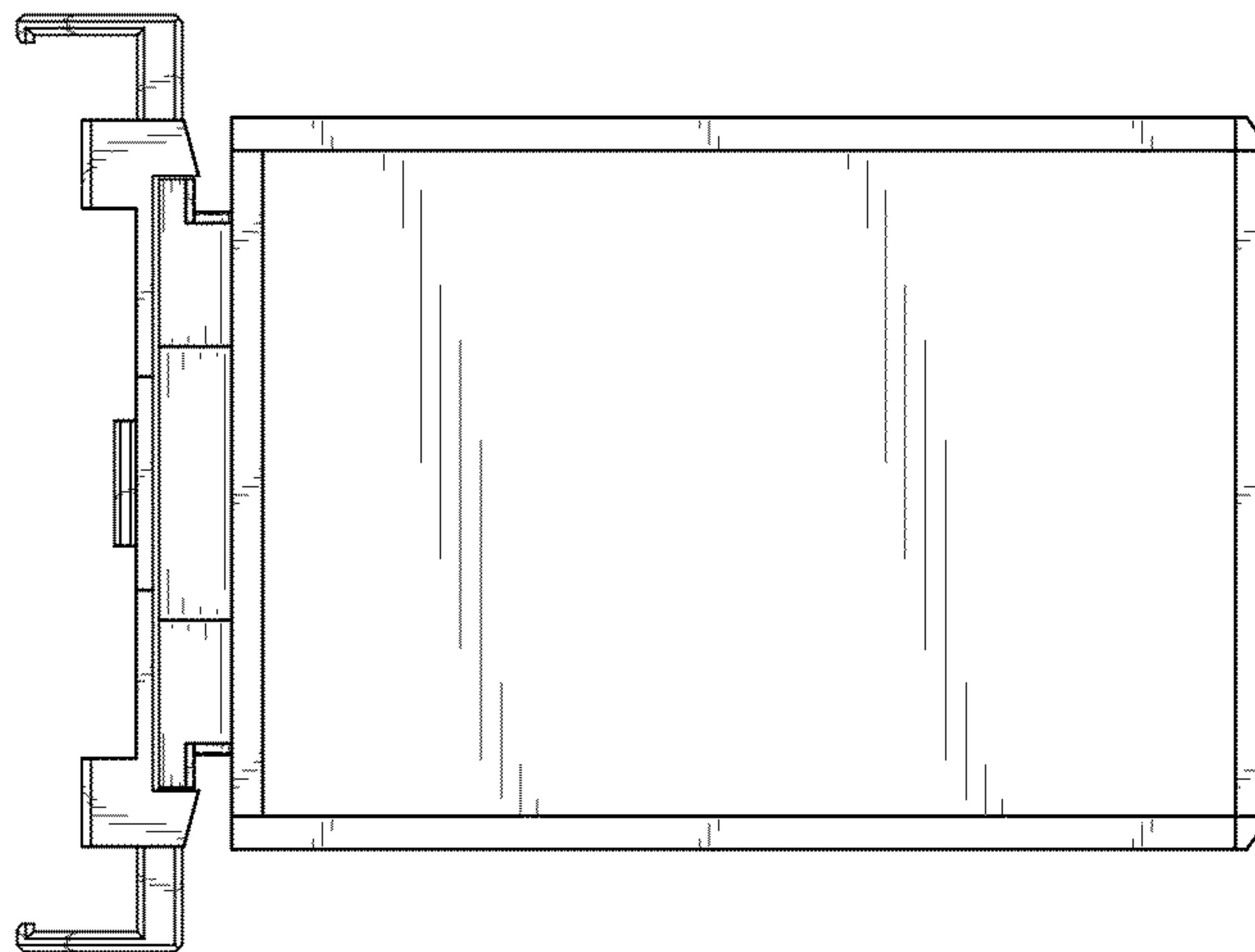


FIG. 9

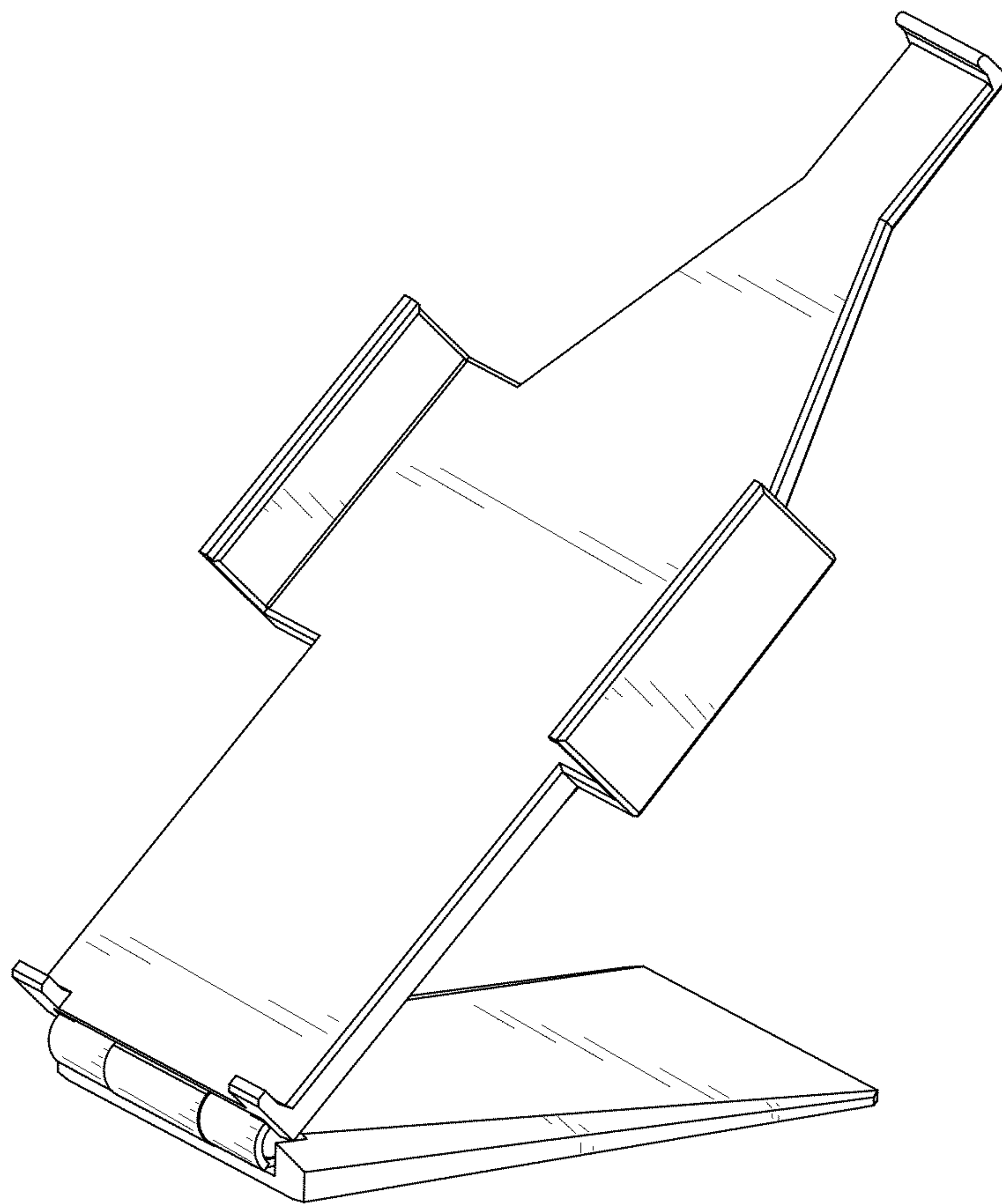


FIG. 10

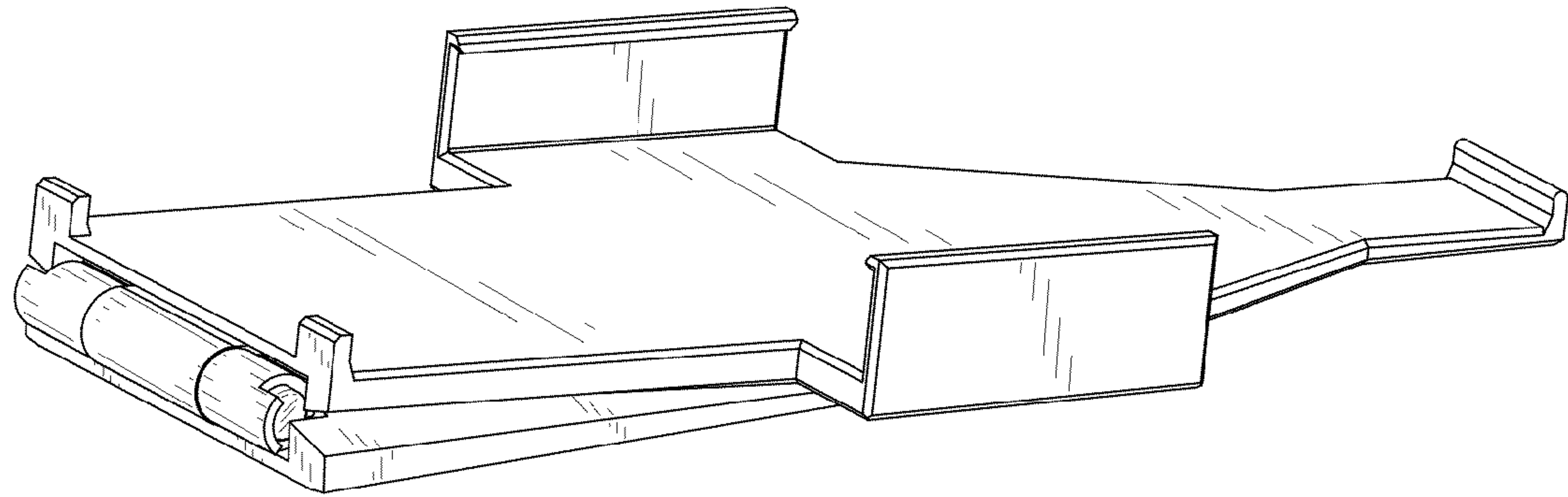


FIG. 11

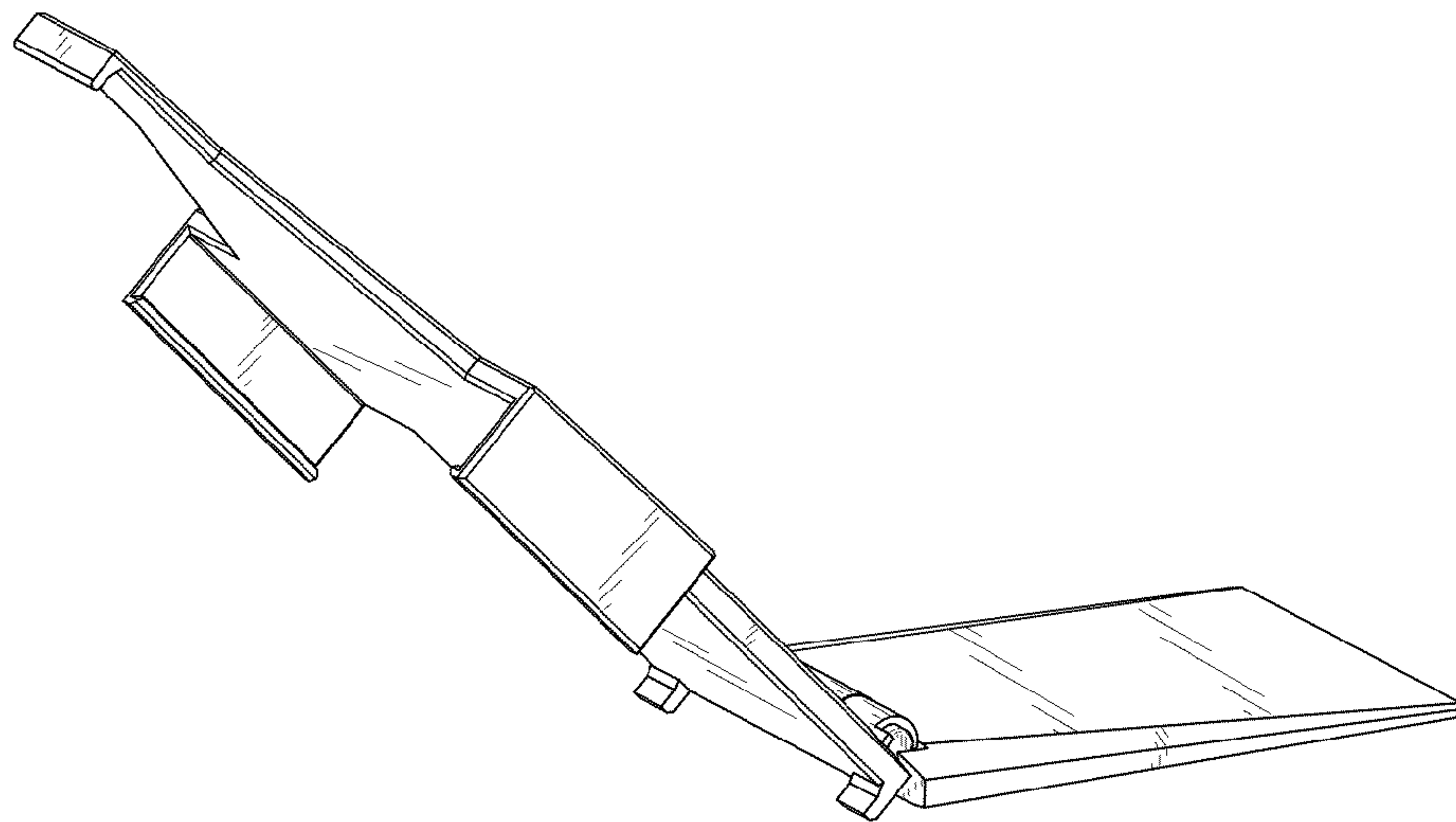


FIG. 12

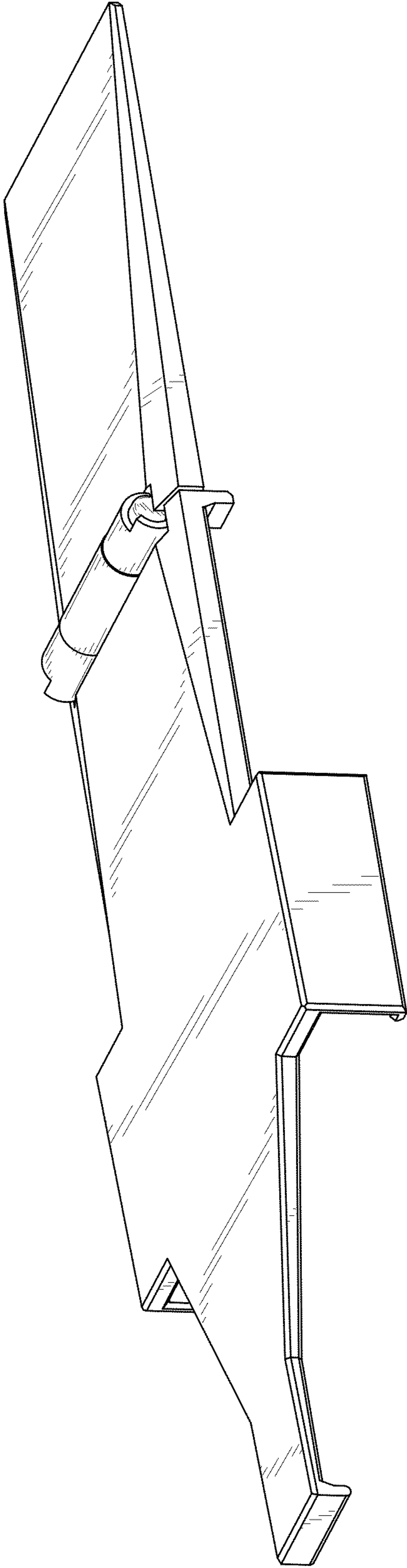


FIG. 13