



US00D686605S

(12) **United States Design Patent**  
**Palmeri**

(10) **Patent No.:** **US D686,605 S**  
(45) **Date of Patent:** **\*\* Jul. 23, 2013**

(54) **CASE FOR ELECTRONIC DEVICE**

D614,613 S \* 4/2010 Kim et al. .... D14/253  
D645,033 S \* 9/2011 Quong et al. .... D14/253  
D649,539 S \* 11/2011 Hong ..... D14/250

(75) Inventor: **John Palmeri**, Middletown, NY (US)

\* cited by examiner

(73) Assignee: **RHP Multimedia Corp.**, Middletown, NY (US)

*Primary Examiner* — Raphael Barkai  
*Assistant Examiner* — Randall Gholson

(\*\*) Term: **14 Years**

(74) *Attorney, Agent, or Firm* — Marger, Johnson & McCollom, P.C.

(21) Appl. No.: **29/404,571**

(22) Filed: **Oct. 21, 2011**

(51) **LOC (9) Cl.** ..... **14-03**

(52) **U.S. Cl.**

USPC ..... **D14/250**

(58) **Field of Classification Search**

USPC ..... D14/250–253, 440, 203.3–203.7,  
D14/217, 496, 248, 238.1, 240, 447; D3/201,  
D3/218, 269, 301, 273, 303, 103, 247; D13/103,  
D13/107–108, 119; 220/4.02; 248/309.1,  
248/371, 176.3, 668; 361/679.56, 679.3,  
361/679.25, 816; 379/426, 433.11, 455;  
455/575.1, 575.8; 206/305, 320; 345/173

See application file for complete search history.

(56) **References Cited**

**U.S. PATENT DOCUMENTS**

5,568,549 A \* 10/1996 Wang ..... 379/446  
5,592,244 A \* 1/1997 Vyhmeister ..... 351/158  
D601,366 S \* 10/2009 Barabas et al. .... D6/466

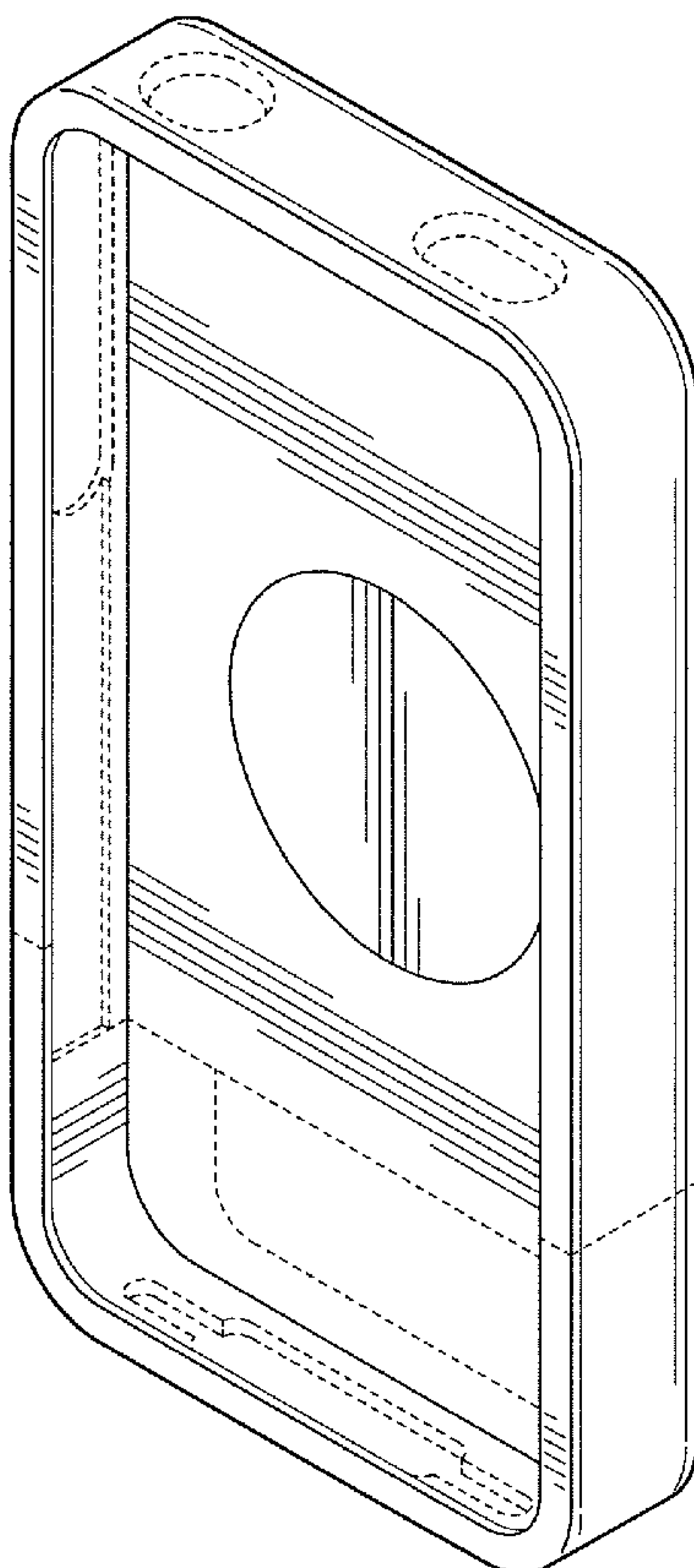
(57) **CLAIM**

The ornamental design for an electronic device case, as shown and described.

**DESCRIPTION**

FIG. 1 is a front perspective view of a case for an electronic device;  
FIG. 2 is a back perspective view thereof;  
FIG. 3 is a front plan view thereof;  
FIG. 4 is a right side elevation view thereof;  
FIG. 5 is a back plan view thereof;  
FIG. 6 is a left side elevation view thereof;  
FIG. 7 is a top side elevation view thereof; and,  
FIG. 8 is a bottom side elevation view thereof.  
The broken lines are for illustrative purposes only and form no part of the claimed design.

**1 Claim, 2 Drawing Sheets**



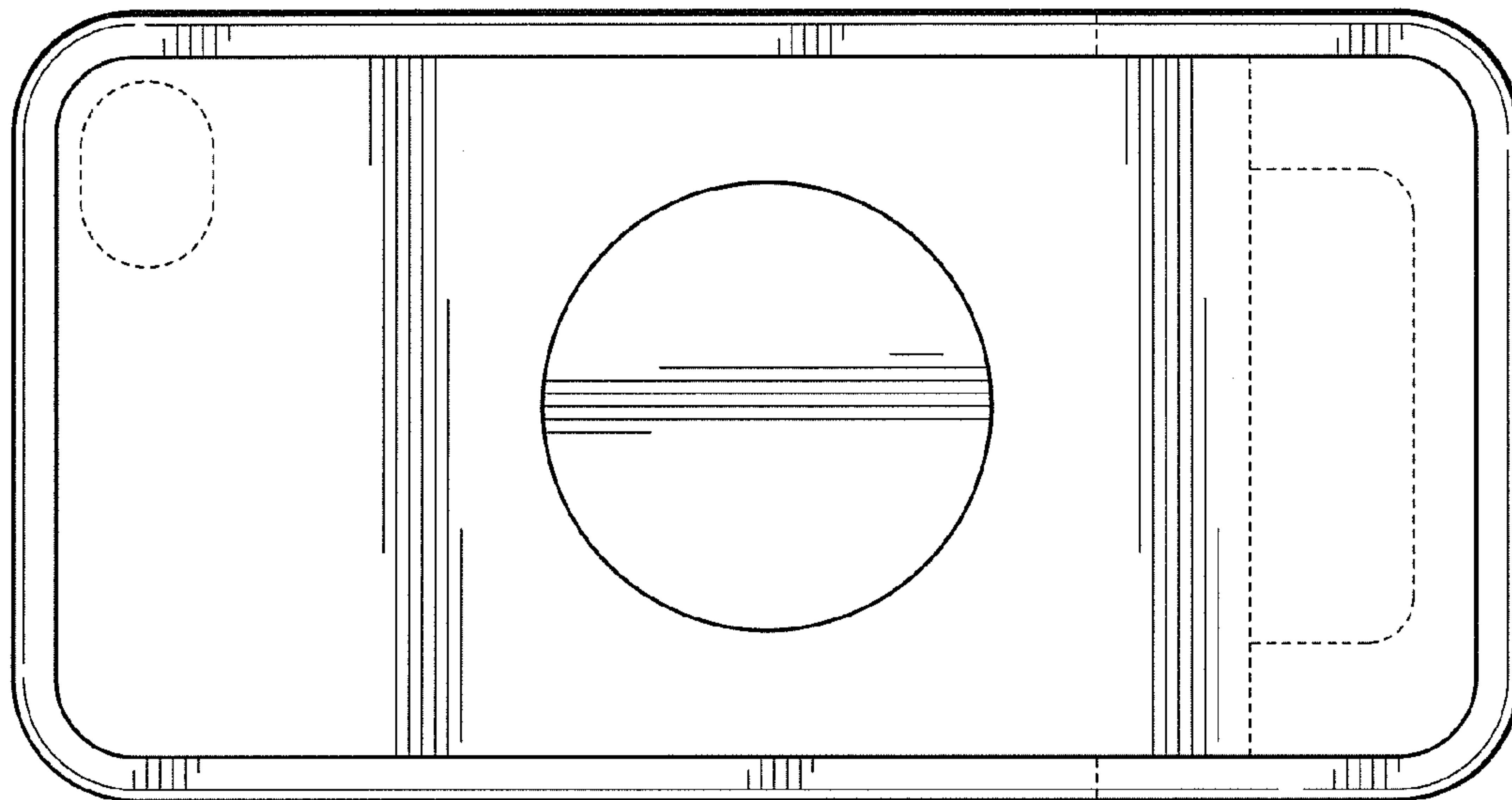


FIG. 3

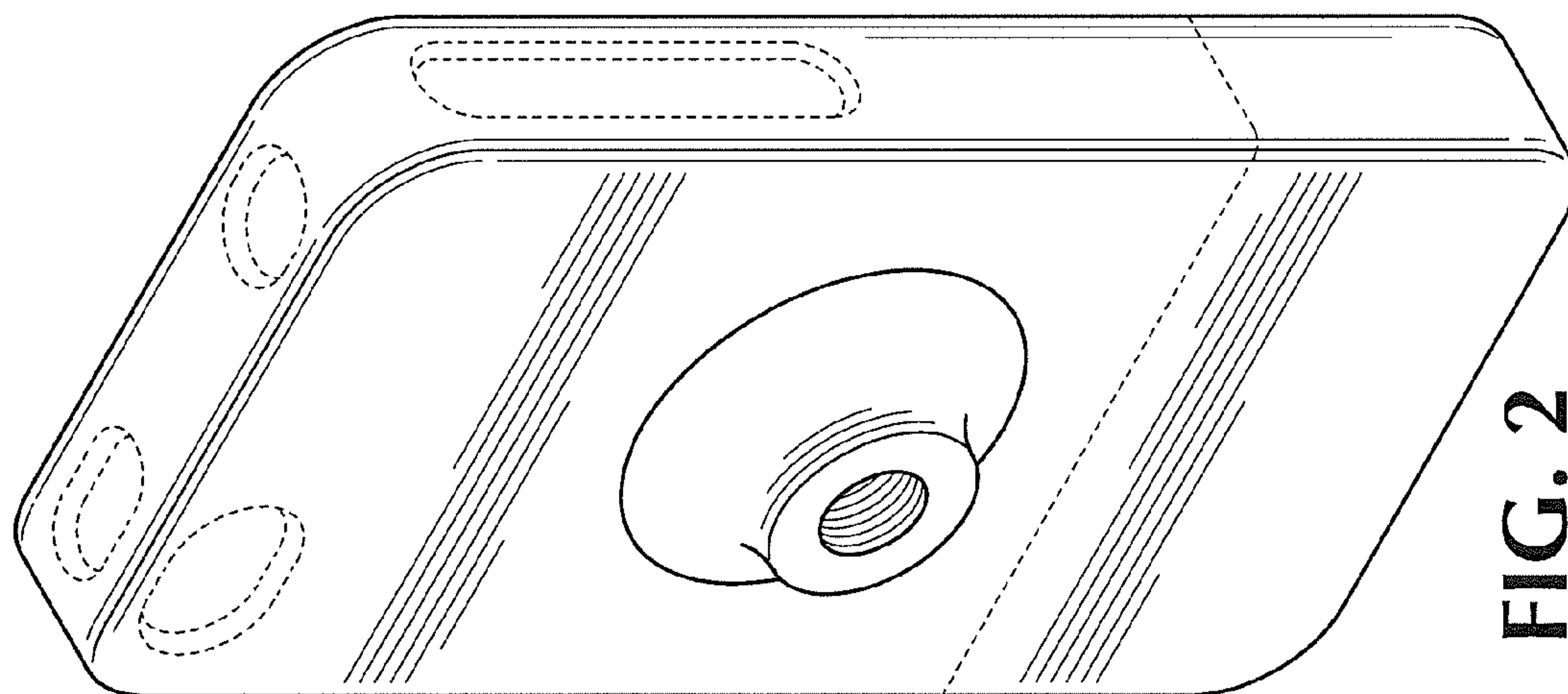


FIG. 2

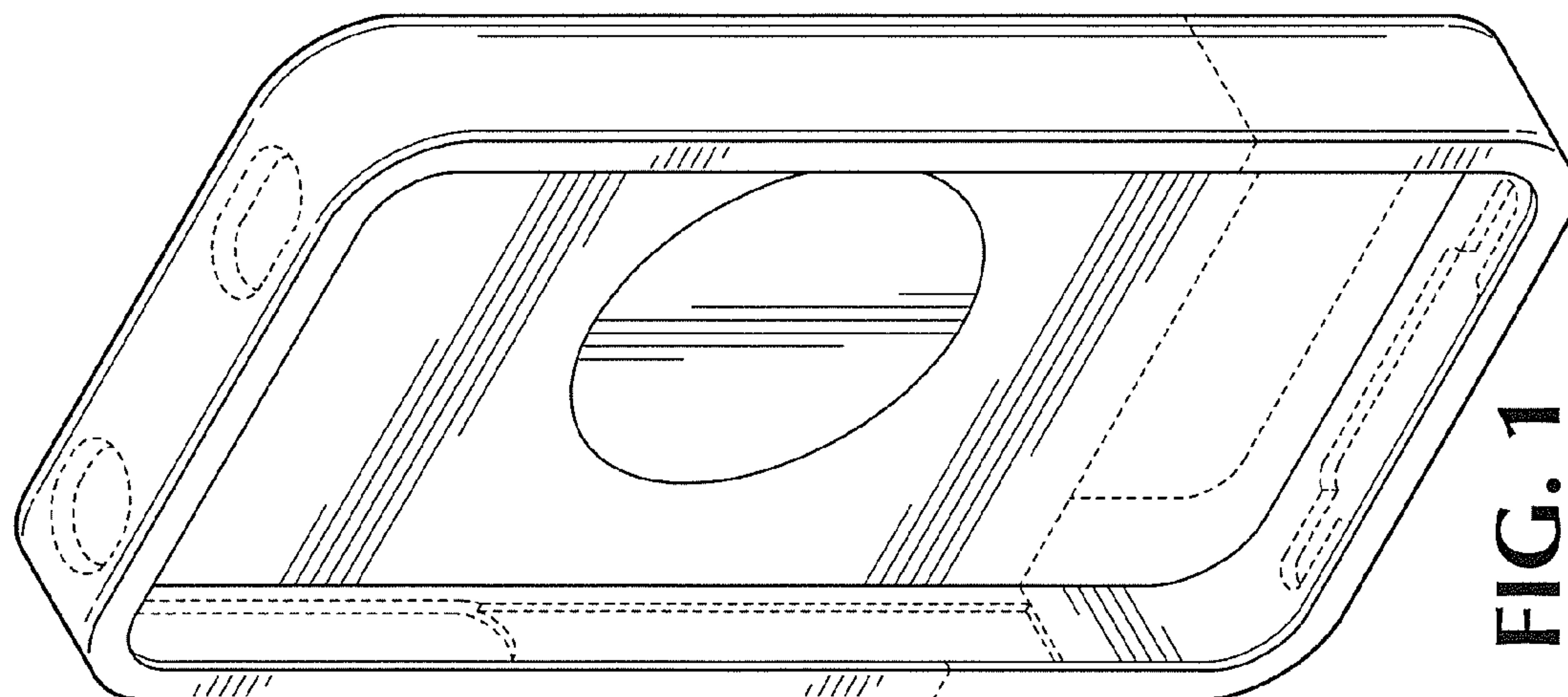


FIG. 1

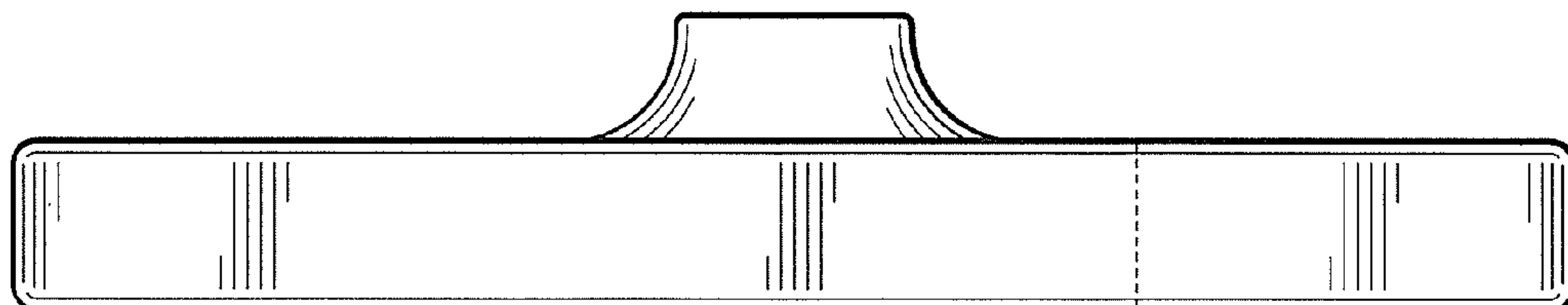


FIG. 4

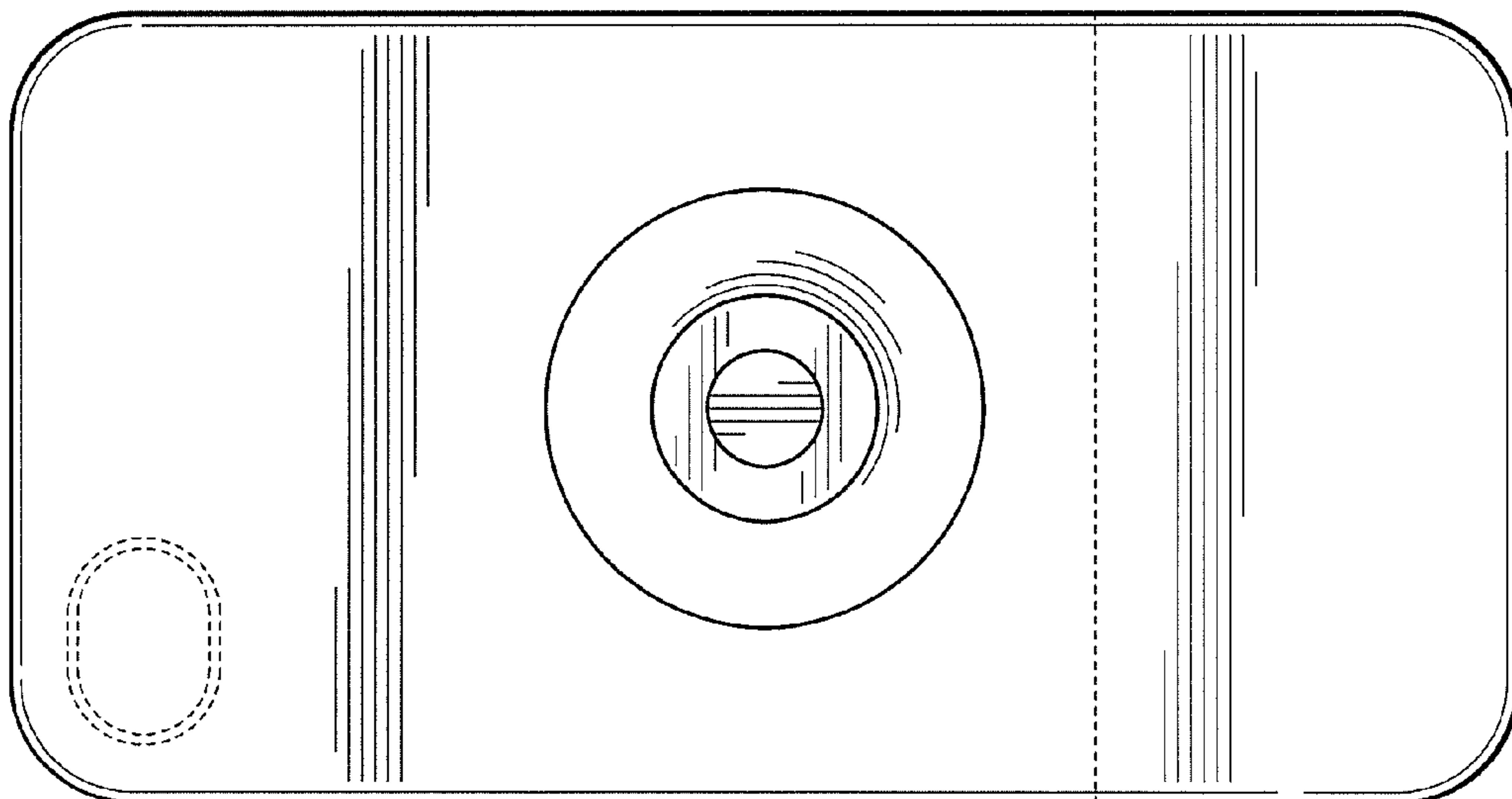


FIG. 5

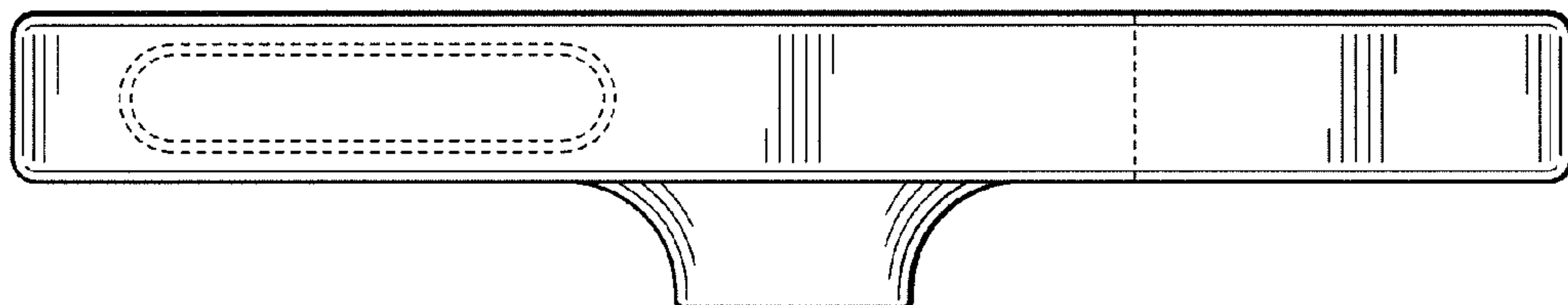


FIG. 6

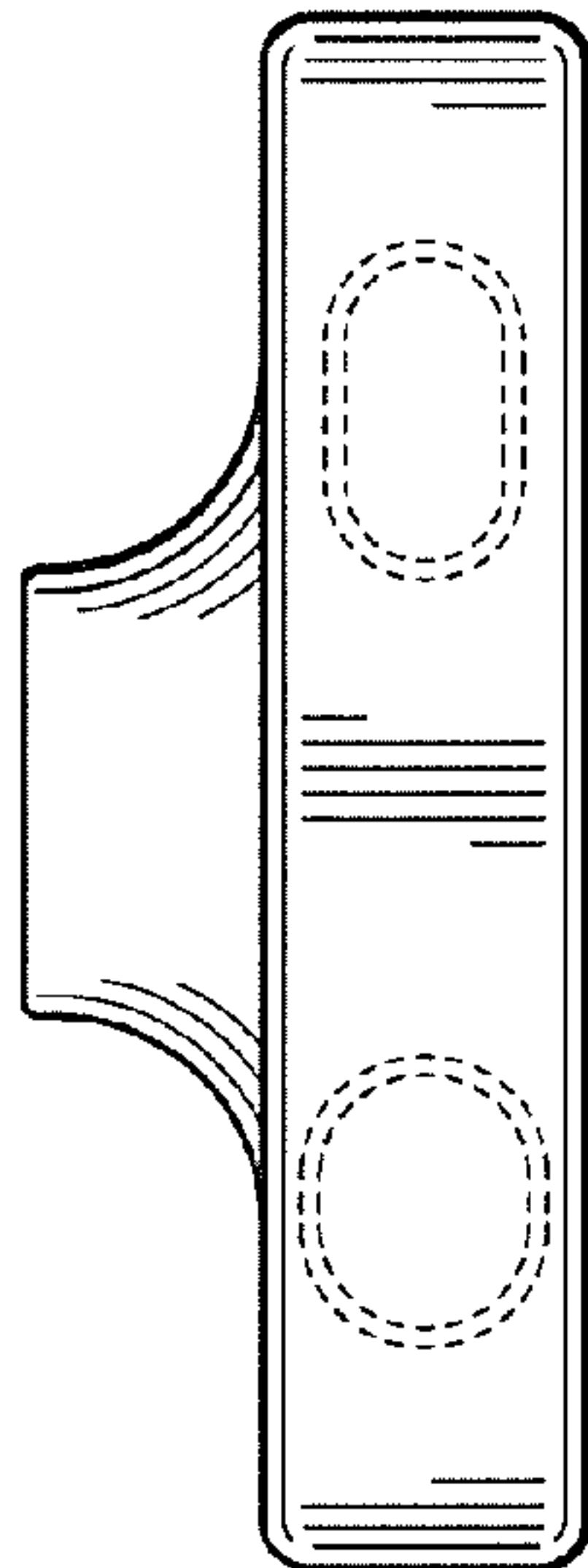


FIG. 7

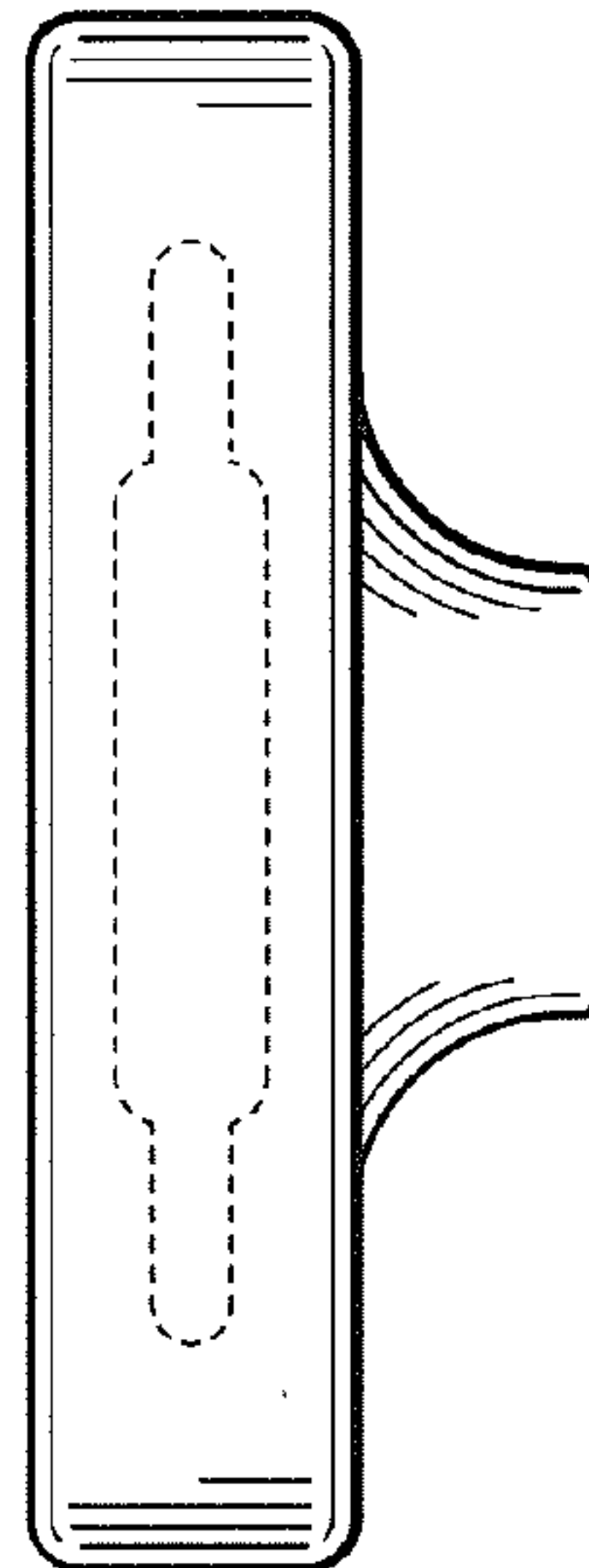


FIG. 8