

US00D686600S

(12) **United States Design Patent**  
**Yang**

(10) **Patent No.:** **US D686,600 S**  
(45) **Date of Patent:** **\*\* Jul. 23, 2013**

(54) **ANTENNA**  
(71) Applicant: **Airgain, Inc.**, Carlsbad, CA (US)  
(72) Inventor: **Xiaoping Yang**, Carlsbad, CA (US)  
(73) Assignee: **Airgain, Inc.**, Carlsbad, CA (US)  
(\*\*) Term: **14 Years**  
(21) Appl. No.: **29/444,160**  
(22) Filed: **Jan. 26, 2013**  
(51) **LOC (9) Cl.** ..... **14-03**  
(52) **U.S. Cl.**  
USPC ..... **D14/230**  
(58) **Field of Classification Search**  
USPC ..... D14/138, 230–238, 299, 358; D12/42,  
D12/43; 343/700 R–705, 871–908, 795, 840,  
343/711–713, 819, 846; 455/90.2, 90.3, 91,  
455/128, 269, 344, 347, 562.1  
See application file for complete search history.

D650,370 S \* 12/2011 Huang et al. .... D14/230  
D678,255 S \* 3/2013 Ko et al. .... D14/230  
2003/0231139 A1 \* 12/2003 Tai et al. .... 343/795  
2004/0183728 A1 \* 9/2004 Zinanti et al. .... 343/700 MS  
2004/0222936 A1 \* 11/2004 Hung et al. .... 343/795  
2008/0143630 A1 \* 6/2008 Kato et al. .... 343/795  
2011/0084882 A1 \* 4/2011 Tsai et al. .... 343/700 MS  
2011/0199267 A1 \* 8/2011 Hayashi ..... 343/700 MS  
2011/0291894 A1 \* 12/2011 Qi et al. .... 343/700 MS  
2012/0001815 A1 \* 1/2012 Wong et al. .... 343/749  
2012/0268338 A1 \* 10/2012 Yoo et al. .... 343/803  
2013/0027253 A1 \* 1/2013 Lin et al. .... 343/700 MS  
2013/0033400 A1 \* 2/2013 Chiang ..... 343/700 MS  
2013/0044030 A1 \* 2/2013 Oh ..... 343/700 MS

\* cited by examiner

*Primary Examiner* — John Windmuller

(74) *Attorney, Agent, or Firm* — Clause Eight IPS; Michael Catania

(57) **CLAIM**

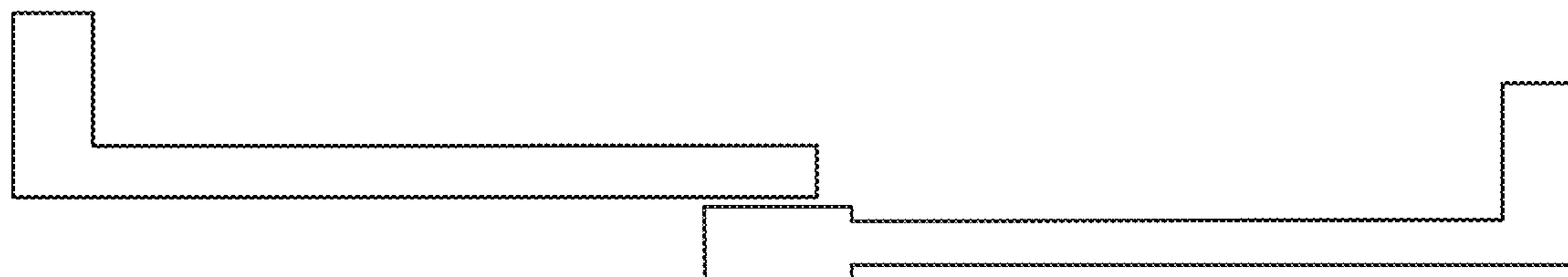
The ornamental design for an antenna, as shown and described.

**DESCRIPTION**

FIG. 1 is a front elevation view of an antenna showing my new design;  
FIG. 2 is a top perspective view thereof;  
FIG. 3 is a side elevation view thereof;  
FIG. 4 is an opposing side elevation view thereof;  
FIG. 5 is a top plan view thereof; and,  
FIG. 6 is a front elevation view thereof in use.  
The broken lines in FIG. 6 illustrate environment only and form no part of the claimed design.

**1 Claim, 2 Drawing Sheets**

(56) **References Cited**  
**U.S. PATENT DOCUMENTS**  
6,891,506 B2 \* 5/2005 Jarmuszewski et al. .... 343/702  
D572,243 S \* 7/2008 Lin et al. .... D14/230  
D578,520 S \* 10/2008 Miyoshi ..... D14/230  
D589,035 S \* 3/2009 Hellgren ..... D14/230  
7,501,991 B2 \* 3/2009 Yeap ..... 343/795  
7,705,783 B2 \* 4/2010 Rao et al. .... 343/700 MS  
7,843,390 B2 \* 11/2010 Liu ..... 343/700 MS  
D635,560 S \* 4/2011 Tsai et al. .... D14/230  
D635,964 S \* 4/2011 Podduturi ..... D14/230  
D636,382 S \* 4/2011 Podduturi ..... D14/230  
D649,961 S \* 12/2011 Huang et al. .... D14/230



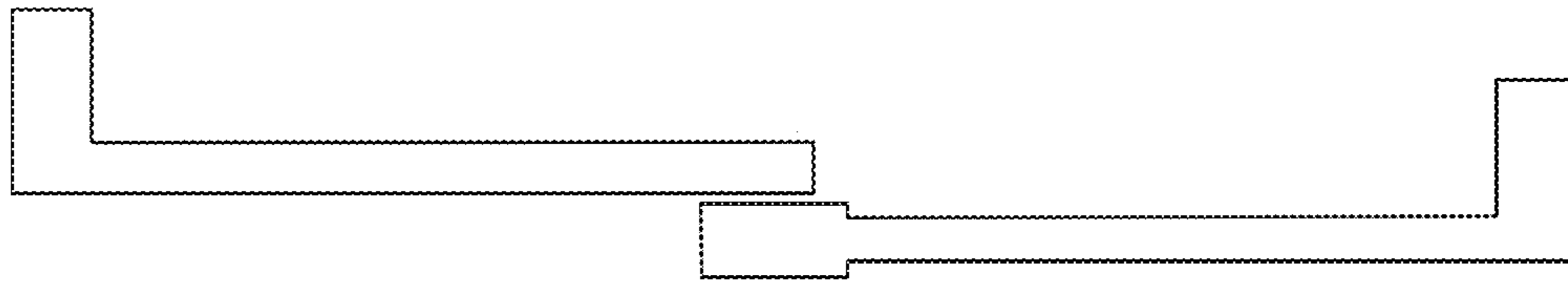


FIG. 1

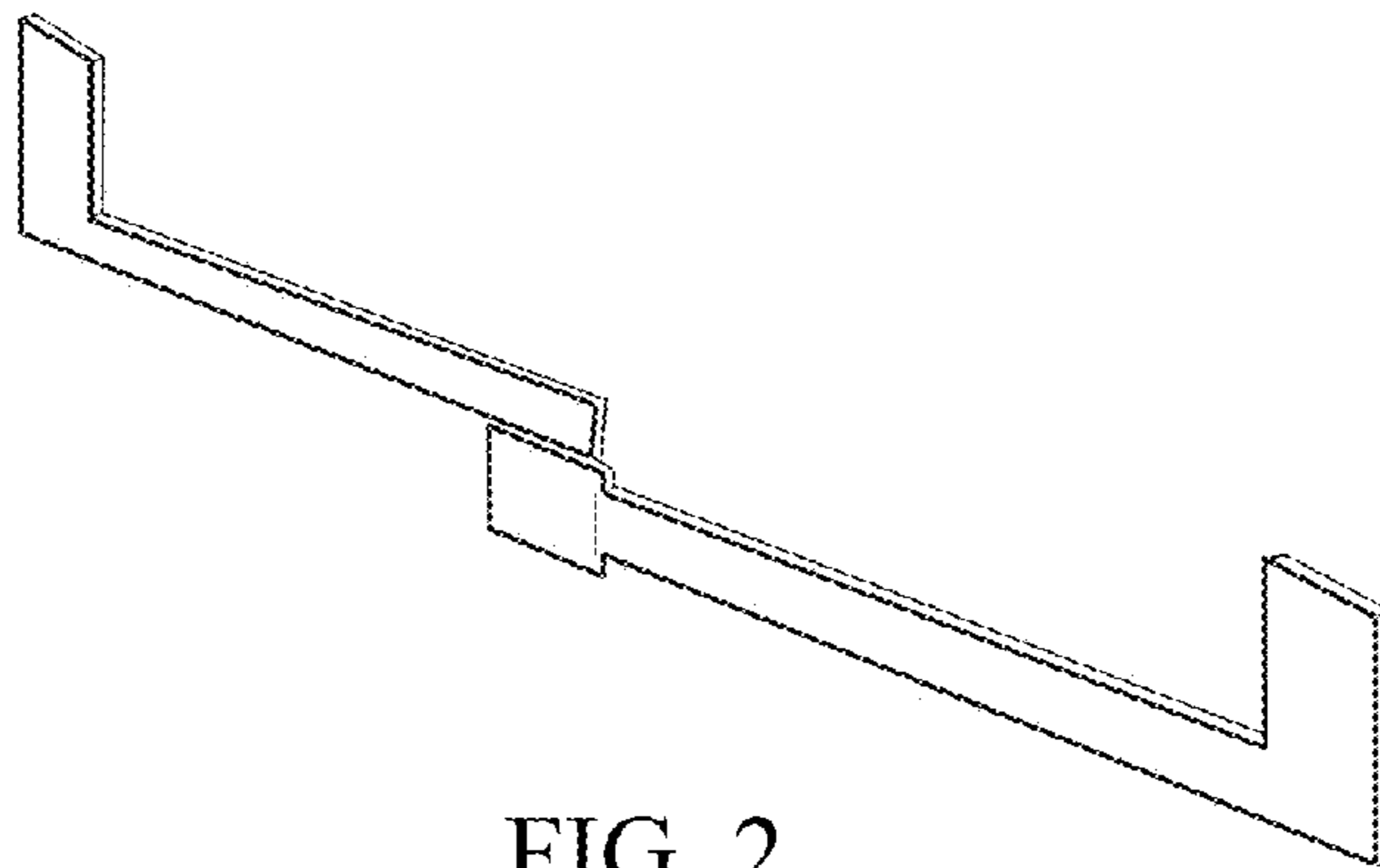


FIG. 2



FIG. 3

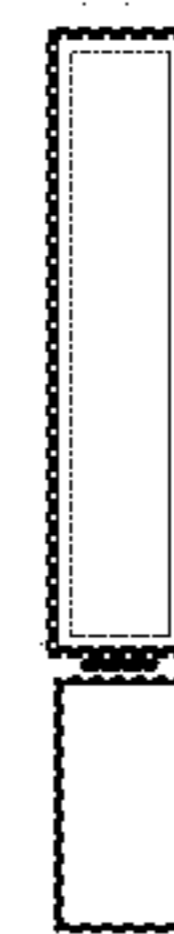


FIG. 4



FIG. 5

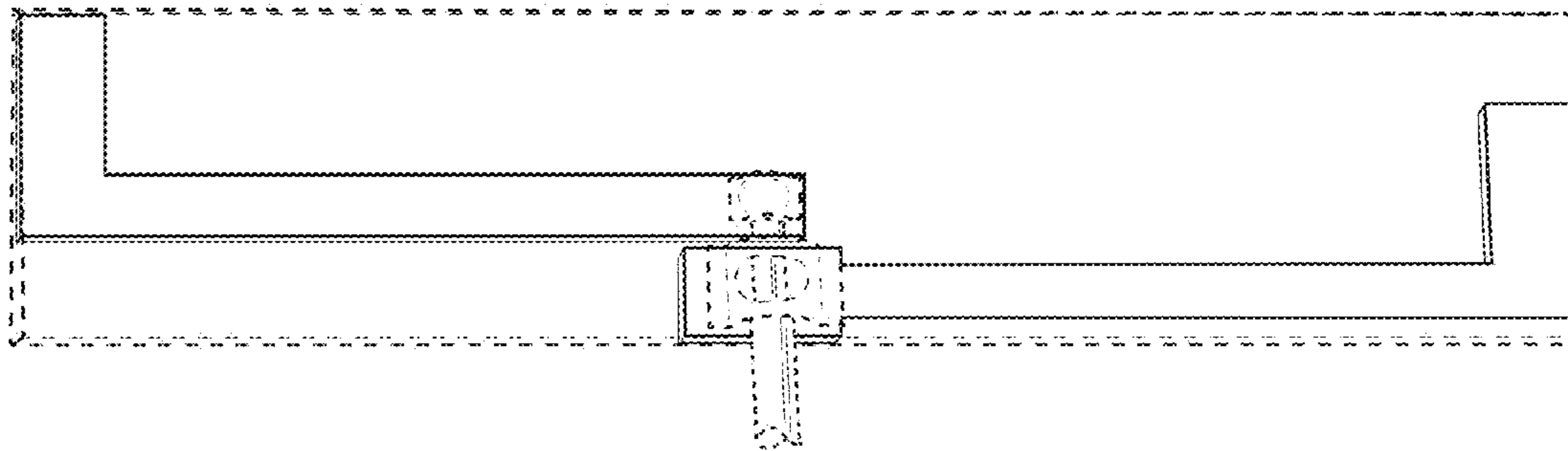


FIG. 6