

US00D686599S

(12) **United States Design Patent**
Podduturi

(10) **Patent No.:** **US D686,599 S**
(45) **Date of Patent:** **** Jul. 23, 2013**

(54) **MULTI-DIMENSIONAL ANTENNA**

(71) Applicant: **World Products, LLC**, Sonoma, CA
(US)

(72) Inventor: **Bharadvaj R. Podduturi**, American
Canyon, CA (US)

(73) Assignee: **World Products, LLC**, Sonoma, CA
(US)

(**) Term: **14 Years**

(21) Appl. No.: **29/439,464**

(22) Filed: **Dec. 11, 2012**

(51) **LOC (9) Cl.** **14-03**

(52) **U.S. Cl.**
USPC **D14/230**

(58) **Field of Classification Search**
USPC D14/138, 230–238, 299, 358; D12/42,
D12/43; 343/700 MS, 700 R–705, 711–713,
343/735, 736, 741, 748, 767, 795, 819, 840,
343/846, 866, 871–908; 455/90.2, 90.3, 91,
455/128, 269, 344, 347, 562.1
See application file for complete search history.

(56) **References Cited**

U.S. PATENT DOCUMENTS

6,239,765	B1	5/2001	Johnson et al.	
D599,334	S	9/2009	Chiang	
D603,851	S	11/2009	Montgomery	
D606,054	S *	12/2009	Wu et al.	D14/230
D658,637	S *	5/2012	Podduturi	D14/230
D659,686	S *	5/2012	Podduturi	D14/230
D676,429	S *	2/2013	Gosalia et al.	D14/230
2010/0123631	A1 *	5/2010	Chang et al.	343/700 MS
2010/0127941	A1 *	5/2010	Chiang et al.	343/700 MS
2010/0253582	A1	10/2010	Nozawa	

2012/0098707	A1 *	4/2012	Chou	343/700 MS
2012/0162022	A1 *	6/2012	Wei	343/700 MS
2012/0182186	A1 *	7/2012	Yang et al.	343/700 MS
2013/0033399	A1 *	2/2013	Huang et al.	343/700 MS
2013/0050030	A1 *	2/2013	Shimasaki	343/700 MS

OTHER PUBLICATIONS

Application for U.S. Patent No. D.656,925 , issued Apr. 3, 2012.
Inventor: Bharadvaj R. Podduturi.

* cited by examiner

Primary Examiner — John Windmuller

(74) *Attorney, Agent, or Firm* — Patterson Thuente Pedersen, P.A.

(57) **CLAIM**

I claim the ornamental design for a multi-dimensional antenna, as shown.

DESCRIPTION

FIG. 1 is a front perspective view of a multi-dimensional antenna depicting my new design.

FIG. 2 is a front view of the multi-dimensional antenna of FIG. 1.

FIG. 3 is a rear view of the multi-dimensional antenna of FIG. 1.

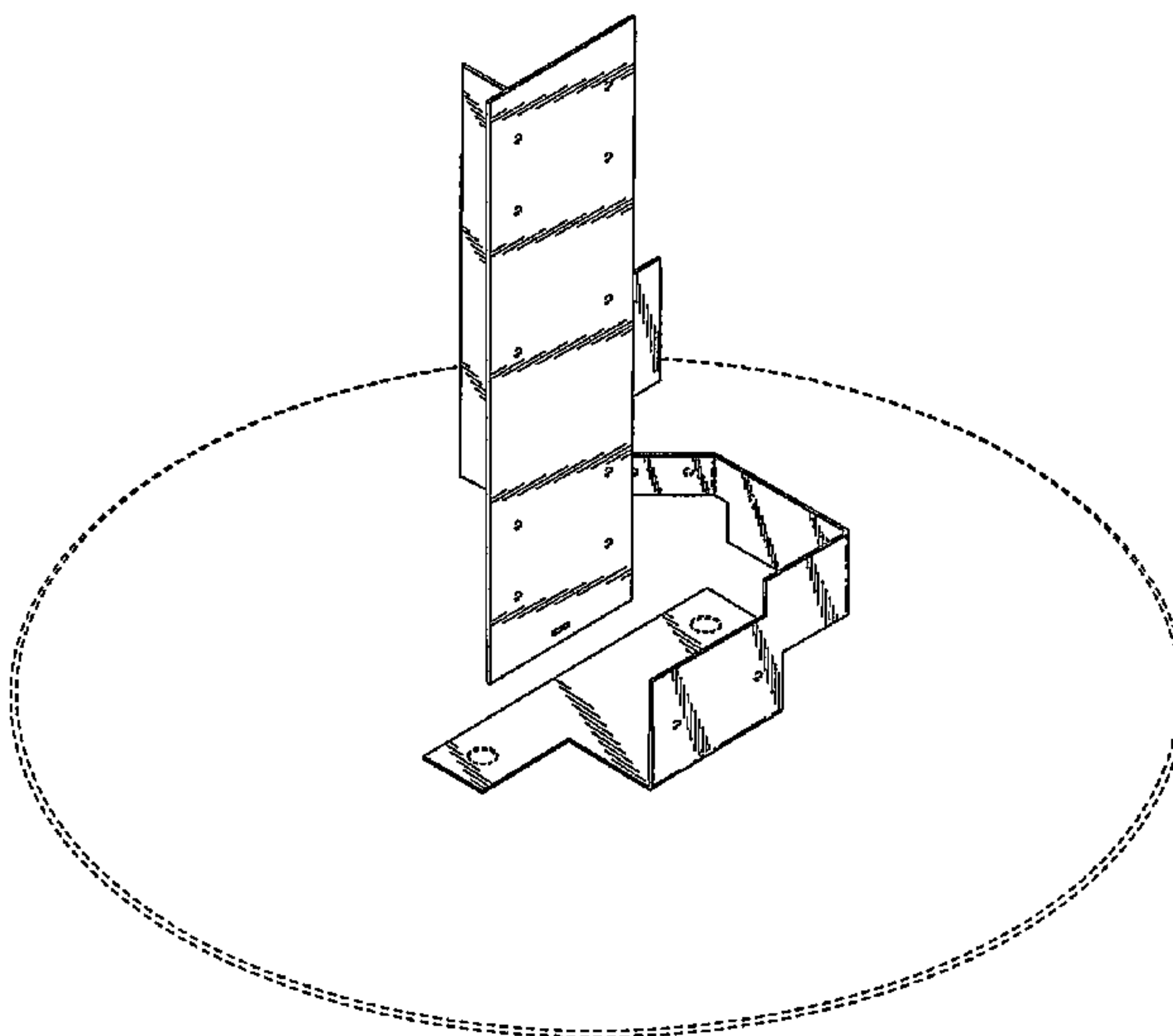
FIG. 4 is a left-side elevation view of the multi-dimensional antenna of FIG. 1.

FIG. 5 is a right-side elevation view of the multi-dimensional antenna of FIG. 1.

FIG. 6 is a top plan view of the multi-dimensional antenna of FIG. 1; and,

FIG. 7 is a bottom plan view of the multi-dimensional antenna of FIG. 1.

1 Claim, 7 Drawing Sheets



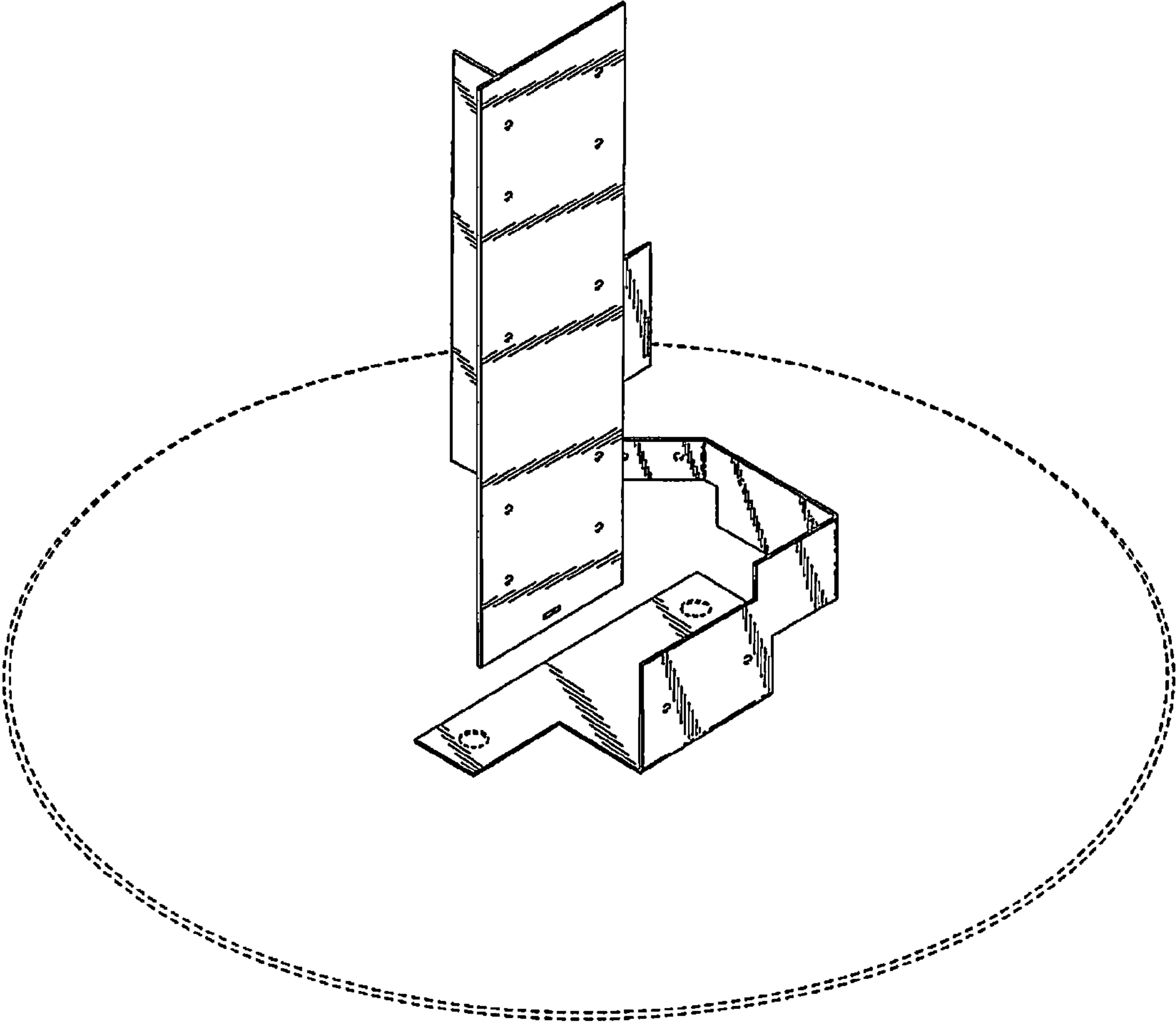


Fig. 1

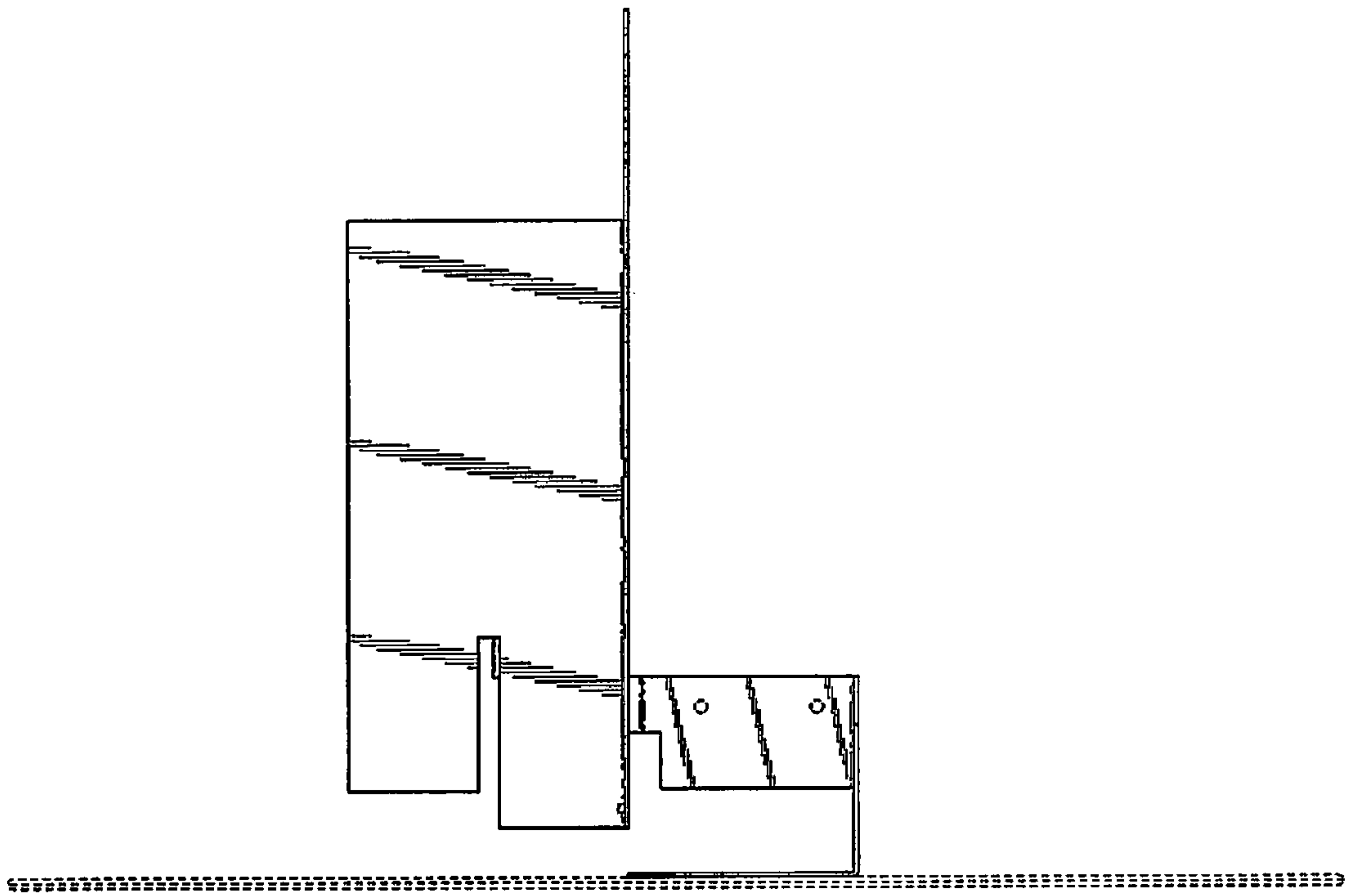


Fig. 2

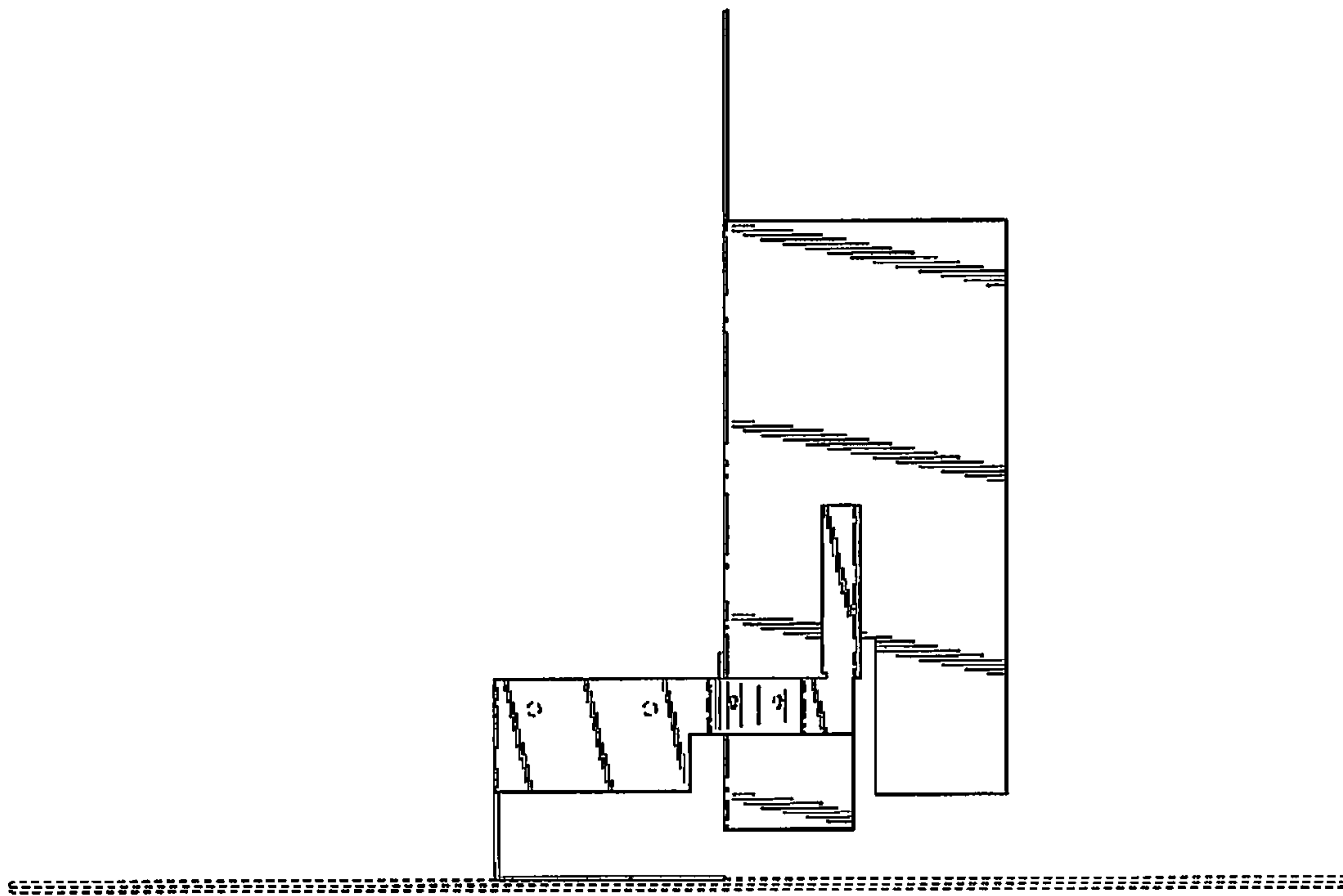


Fig. 3

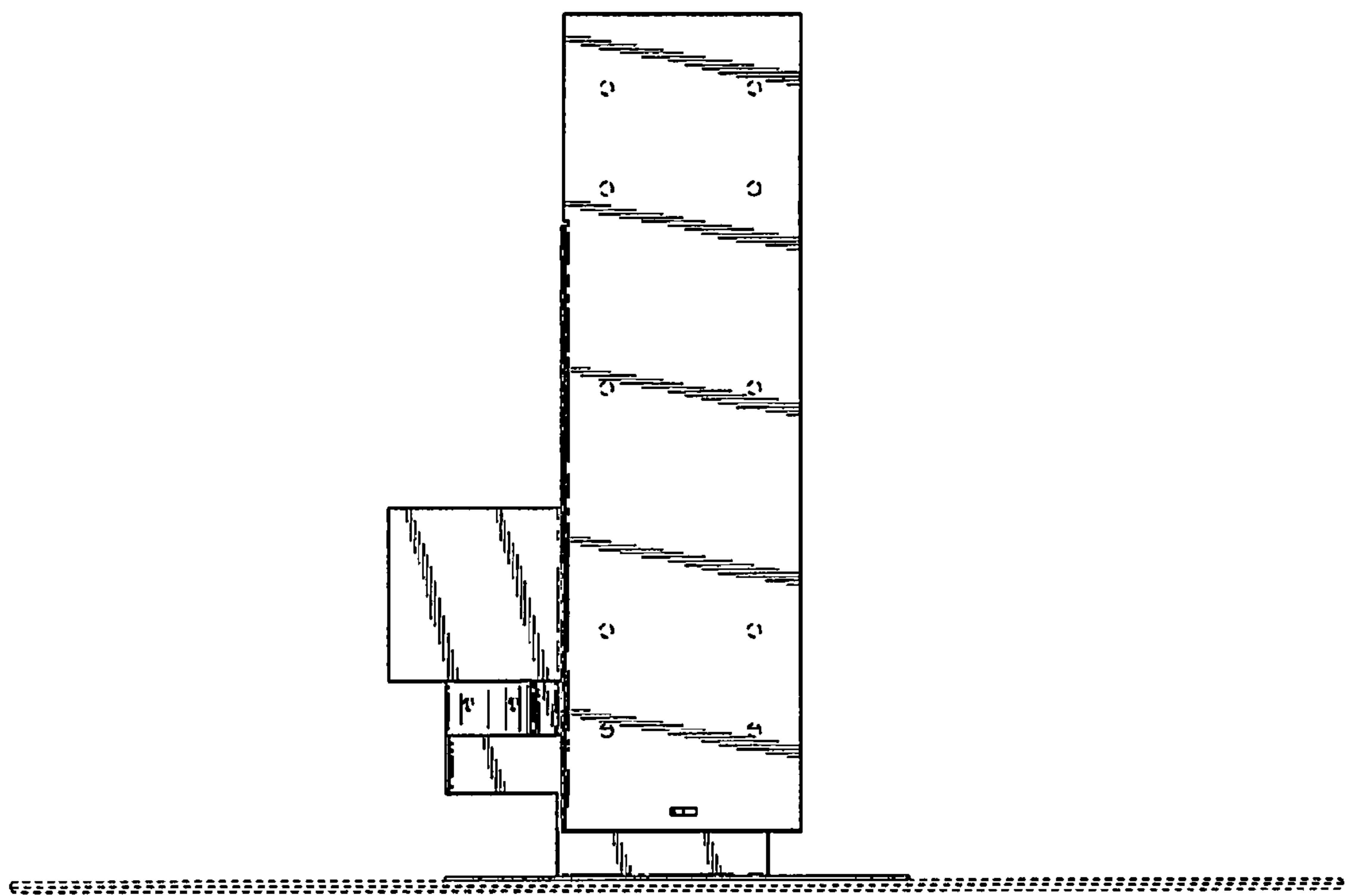


Fig. 4

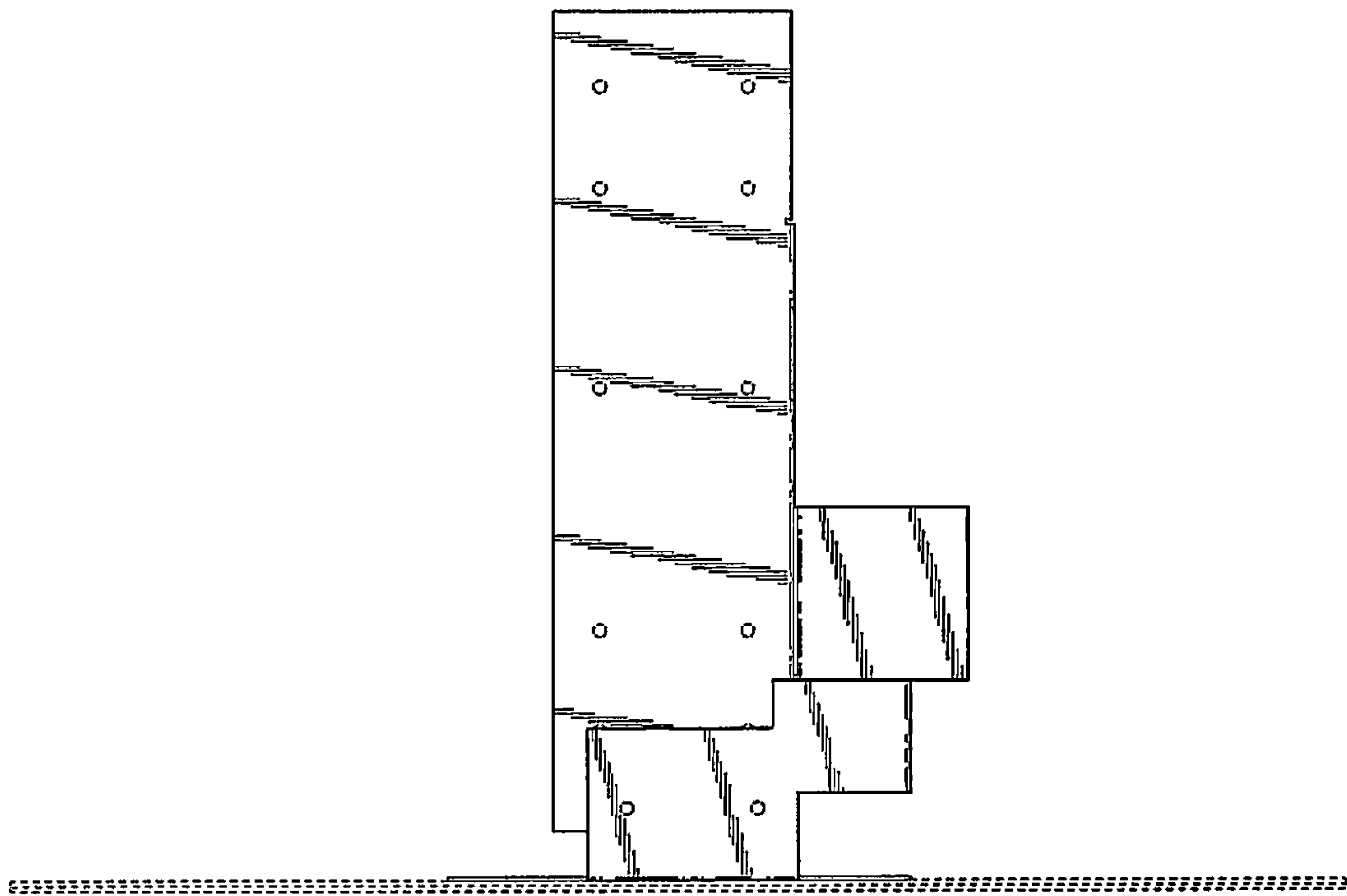


Fig. 5

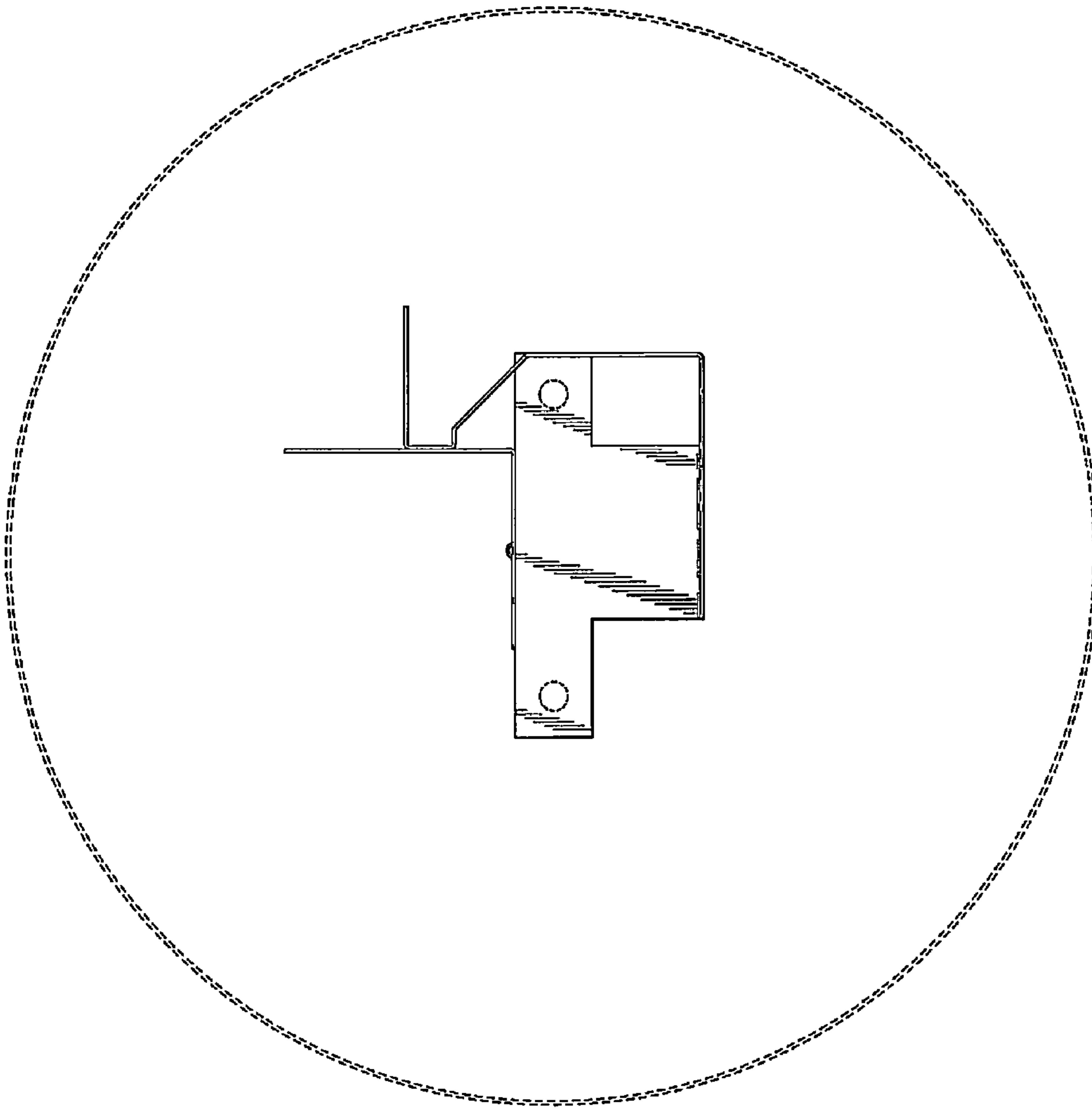


Fig. 6

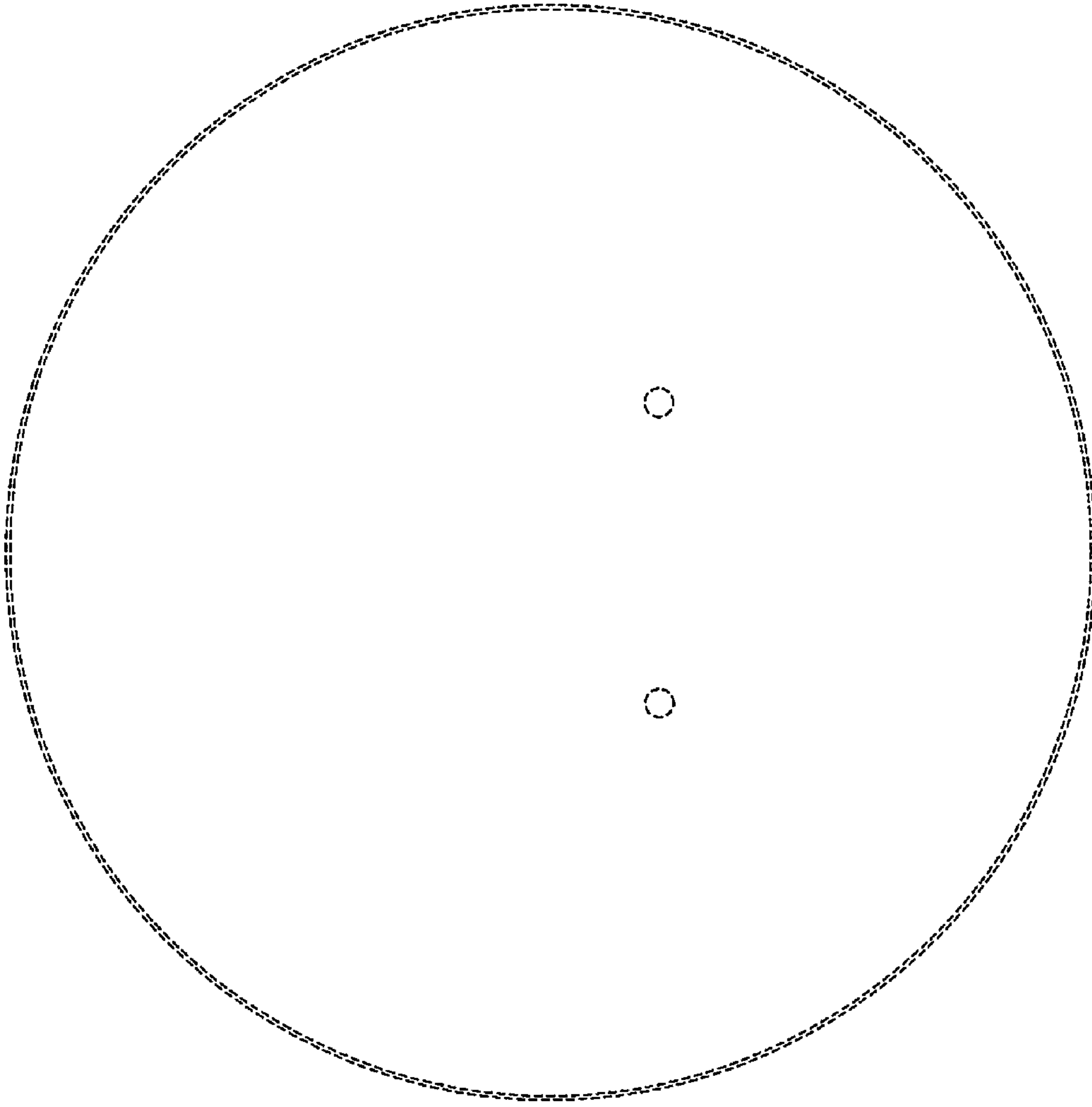


Fig. 7