



US00D686597S

(12) **United States Design Patent**
Lee et al.

(10) **Patent No.:** **US D686,597 S**
(45) **Date of Patent:** **** *Jul. 23, 2013**

(54) **HEADPHONE**

(75) Inventors: **Noel Lee**, Las Vegas, NV (US);
Kendrew Lee, Tsing Yi (HK); **Sin Yee Fung**, Hong Kong (CN)

(73) Assignee: **Monster, LLC**, Las Vegas, NV (US)

(*) Notice: This patent is subject to a terminal disclaimer.

(**) Term: **14 Years**

(21) Appl. No.: **29/406,084**

(22) Filed: **Nov. 9, 2011**

(51) **LOC (9) Cl.** **14-01**

(52) **U.S. Cl.**
USPC **D14/223**

(58) **Field of Classification Search**
USPC D14/205, 206, 223; 181/129, 130,
181/135; 379/430, 431; 381/380, 381; D24/174;
455/90.3, 575.1
See application file for complete search history.

(56) **References Cited**

U.S. PATENT DOCUMENTS

2,248,837	A *	7/1941	Walters	381/380
D340,932	S *	11/1993	Yan	D14/249
5,410,608	A *	4/1995	Lucey et al.	381/360
5,420,935	A *	5/1995	Shinohara et al.	381/370
5,809,159	A *	9/1998	Lee	381/380
D554,109	S *	10/2007	Ledbetter et al.	D14/223
D557,689	S *	12/2007	Huang	D14/223
D565,587	S *	4/2008	Sadler et al.	D14/488
D594,441	S	6/2009	Lee et al.		
D598,901	S	8/2009	Lee et al.		
D599,781	S *	9/2009	Lee et al.	D14/205

D600,675	S	9/2009	Lee et al.		
D626,117	S *	10/2010	Lowry	D14/223
D637,182	S	5/2011	Lee et al.		
D641,008	S	7/2011	Lee et al.		
D642,163	S	7/2011	Lee et al.		
7,979,035	B2 *	7/2011	Griffin et al.	455/90.3
D643,417	S	8/2011	Lee et al.		
D643,418	S	8/2011	Lee et al.		
D643,833	S	8/2011	Lee et al.		
D653,235	S *	1/2012	McManigal	D14/205
8,111,861	B2 *	2/2012	Lowry	381/380
D658,157	S *	4/2012	McManigal	D14/205
D666,996	S *	9/2012	Hardi et al.	D14/223
D673,531	S *	1/2013	Lee et al.	D14/223
D674,373	S *	1/2013	Combs et al.	D14/205

* cited by examiner

Primary Examiner — Paula Greene

(74) *Attorney, Agent, or Firm* — LaRiviere, Grubman & Payne, LLP

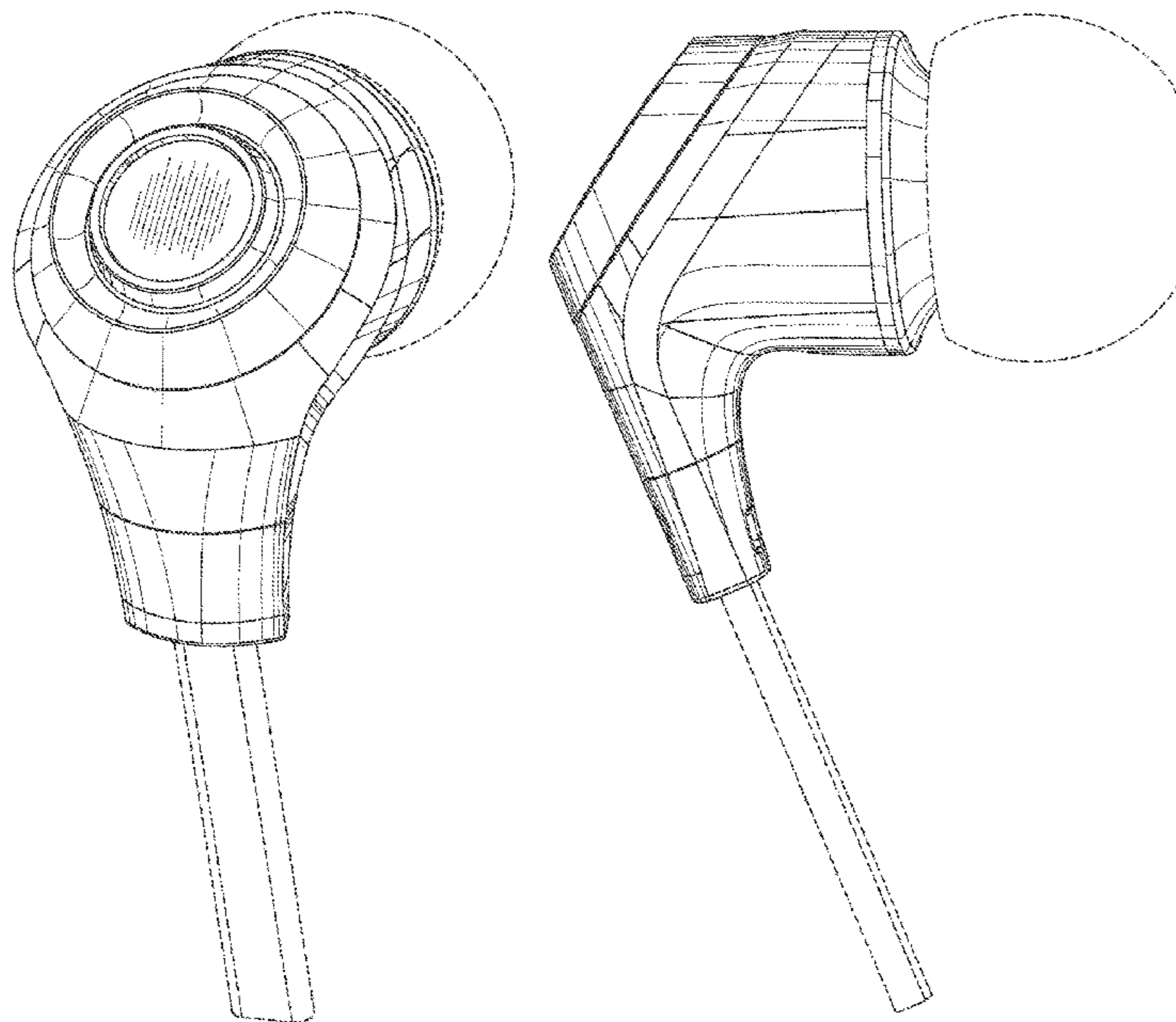
(57) **CLAIM**

The ornamental design for a headphone, as shown and described.

DESCRIPTION

FIG. 1 is a perspective view of a headphone, showing our design;
FIG. 2 is a rear perspective view thereof;
FIG. 3 is a front view thereof;
FIG. 4 is a rear view thereof;
FIG. 5 is a side view thereof;
FIG. 6 is an opposing side view thereof;
FIG. 7 is a top view thereof; and,
FIG. 8 is a bottom view thereof.
The broken lines showing the environment are for illustrative purposes only and form no part of the claimed design.

1 Claim, 4 Drawing Sheets



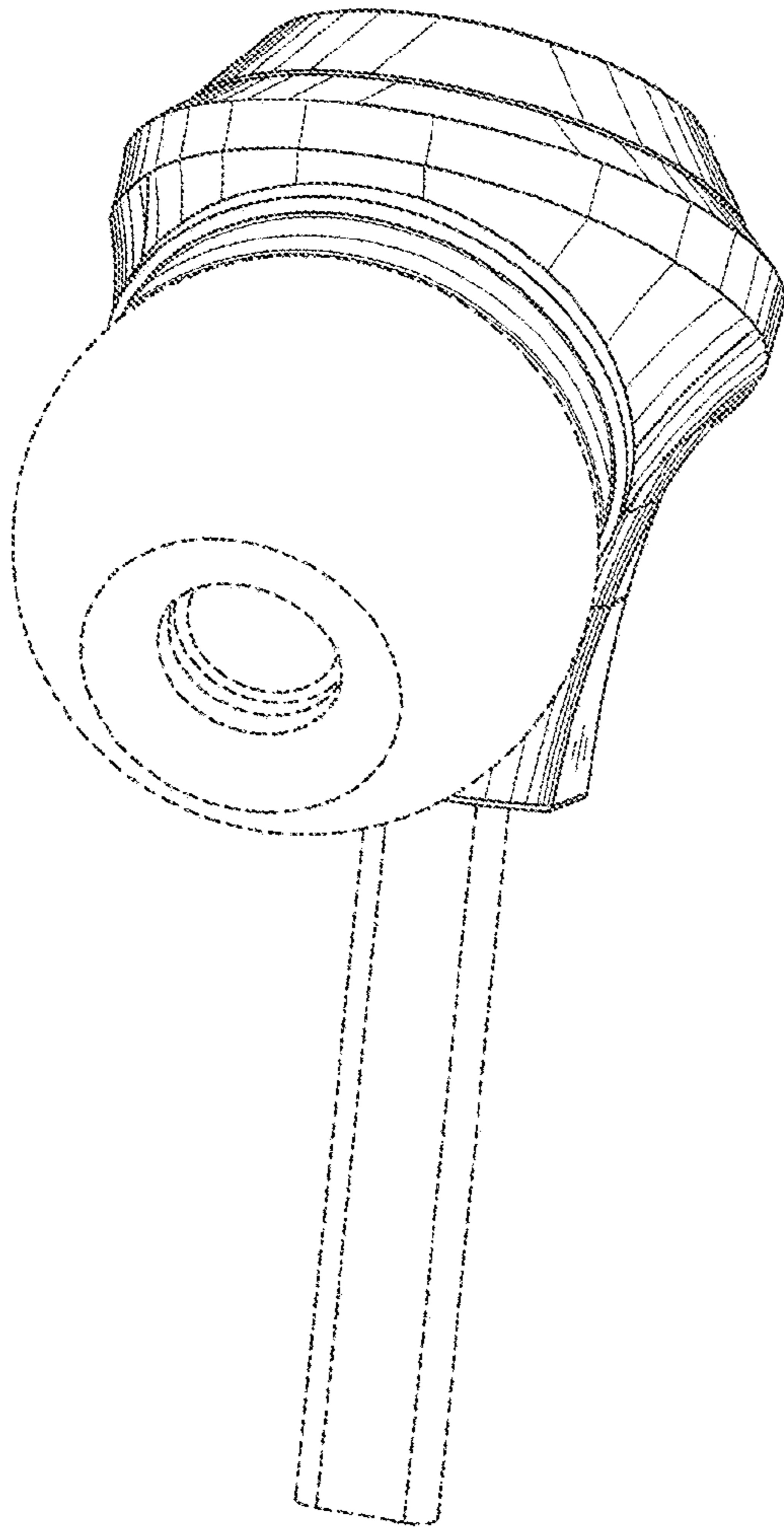


Figure 1

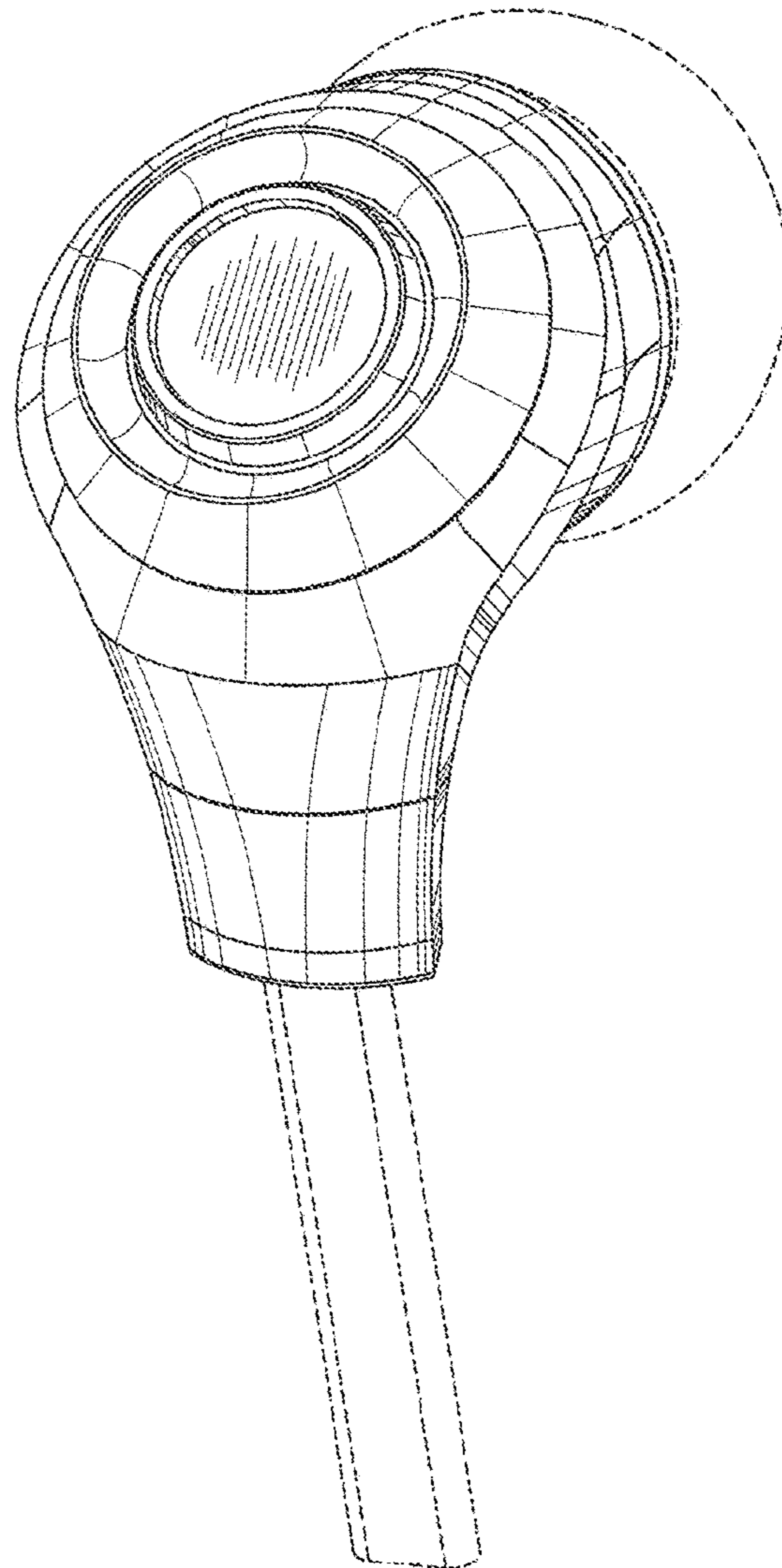


Figure 2

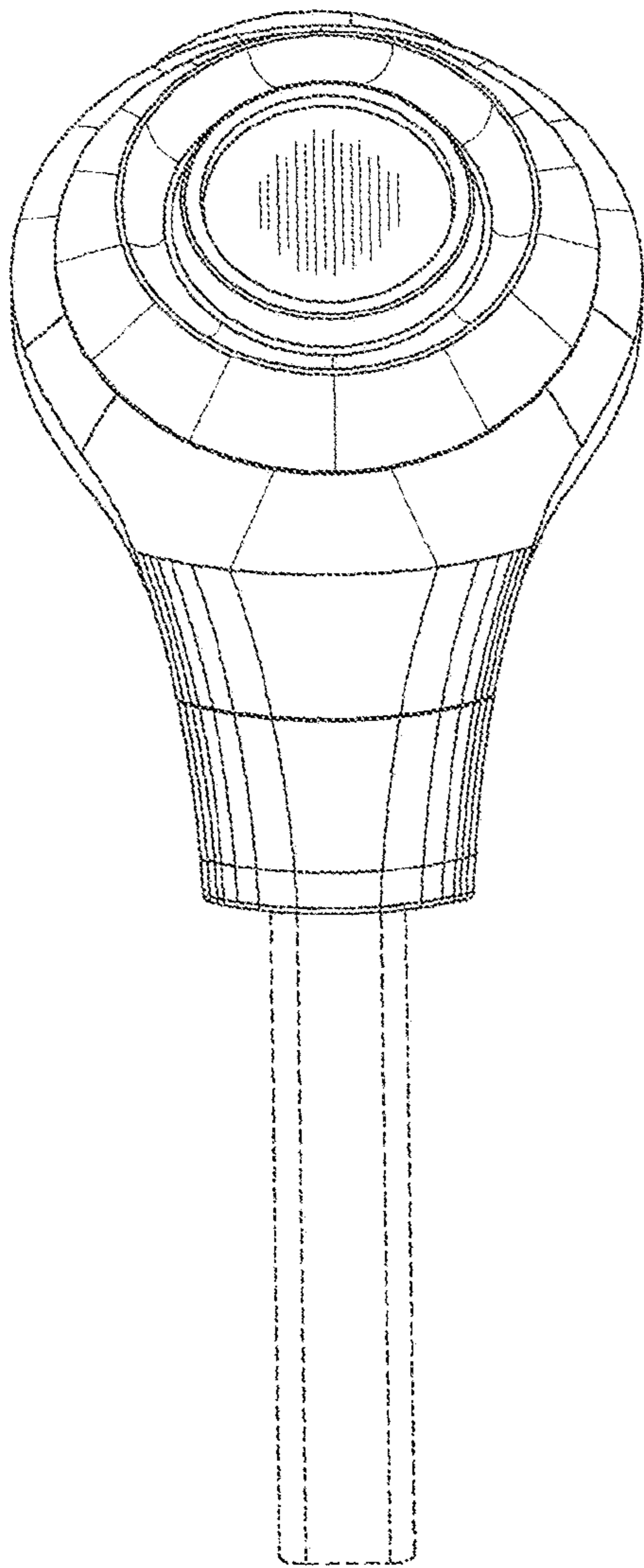


Figure 3

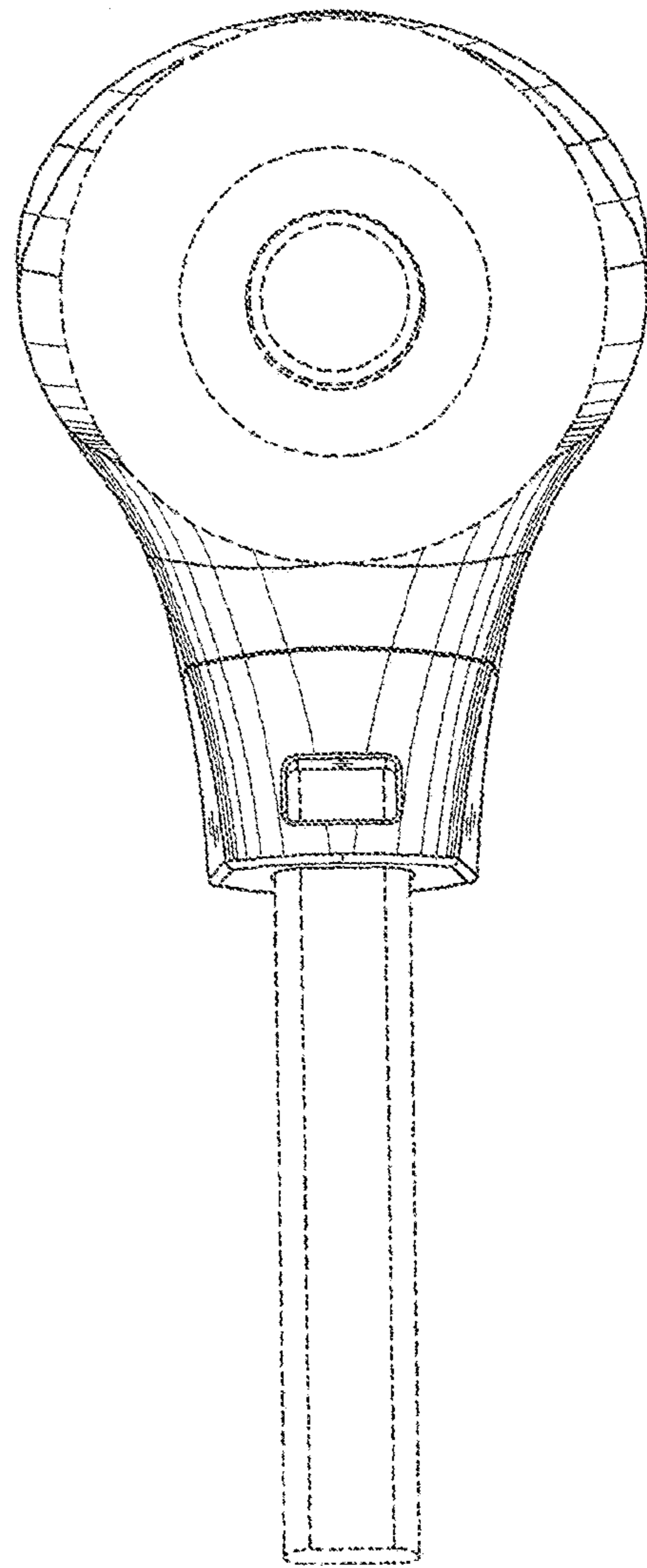


Figure 4

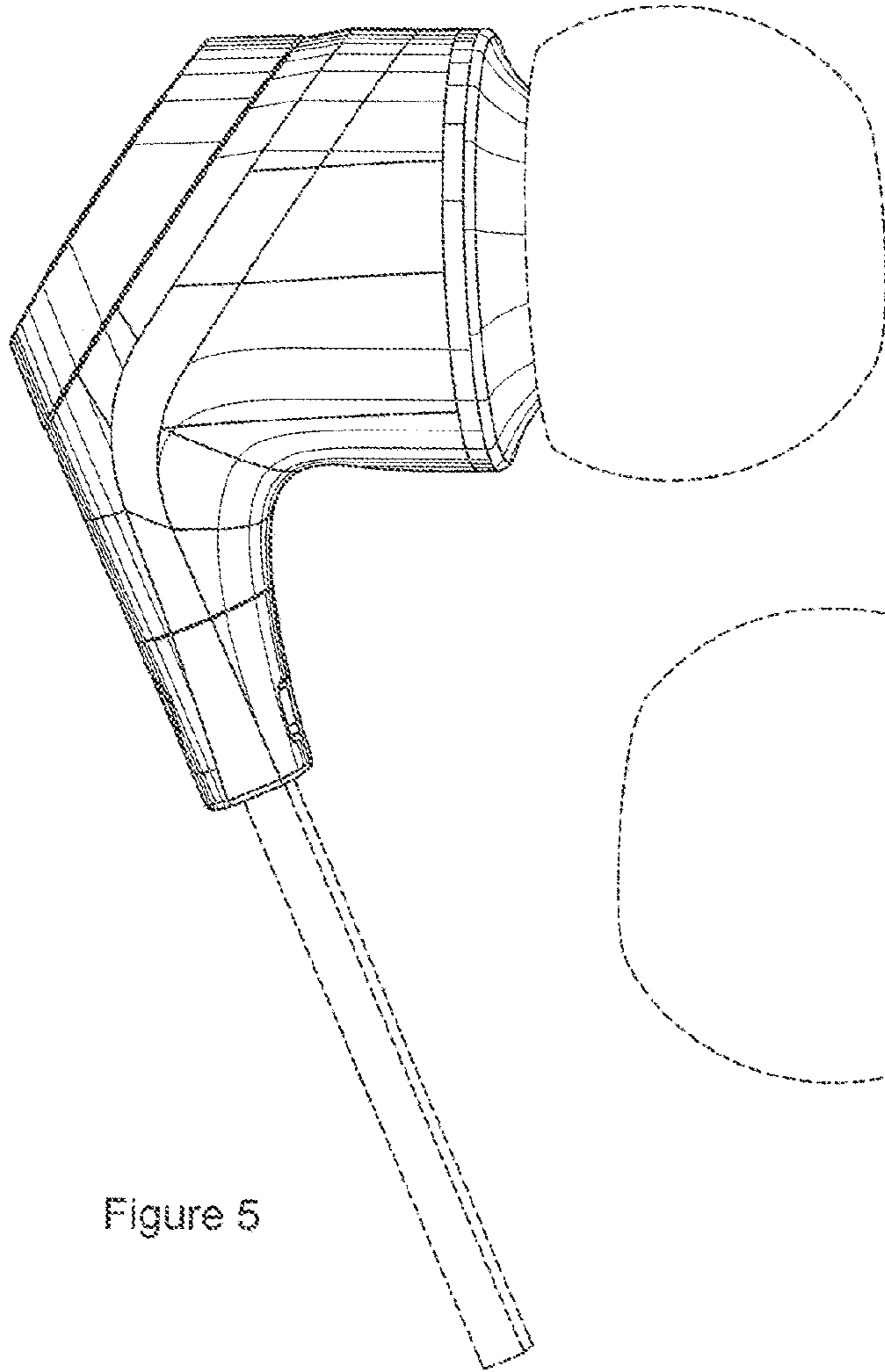


Figure 5

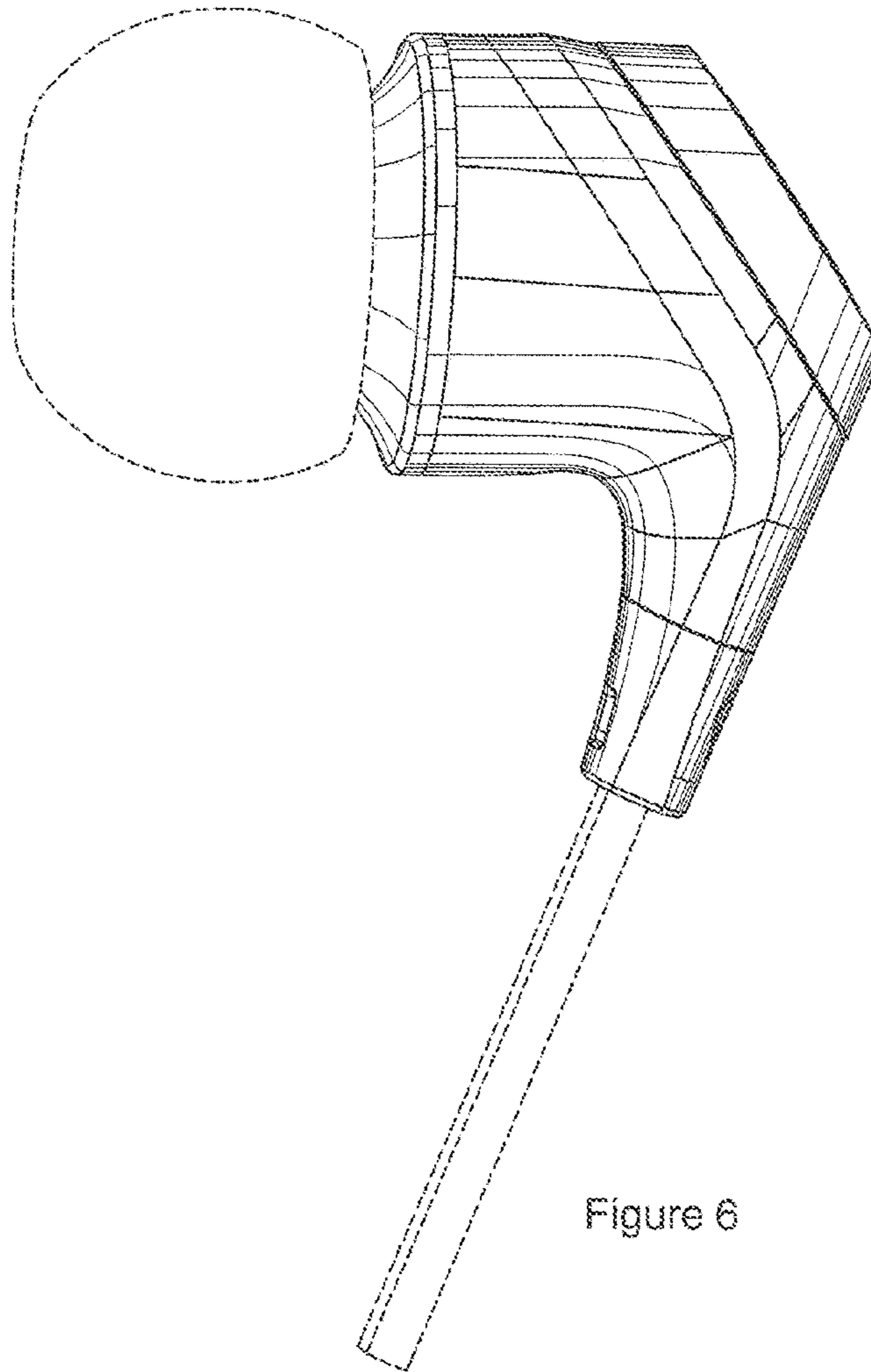


Figure 6

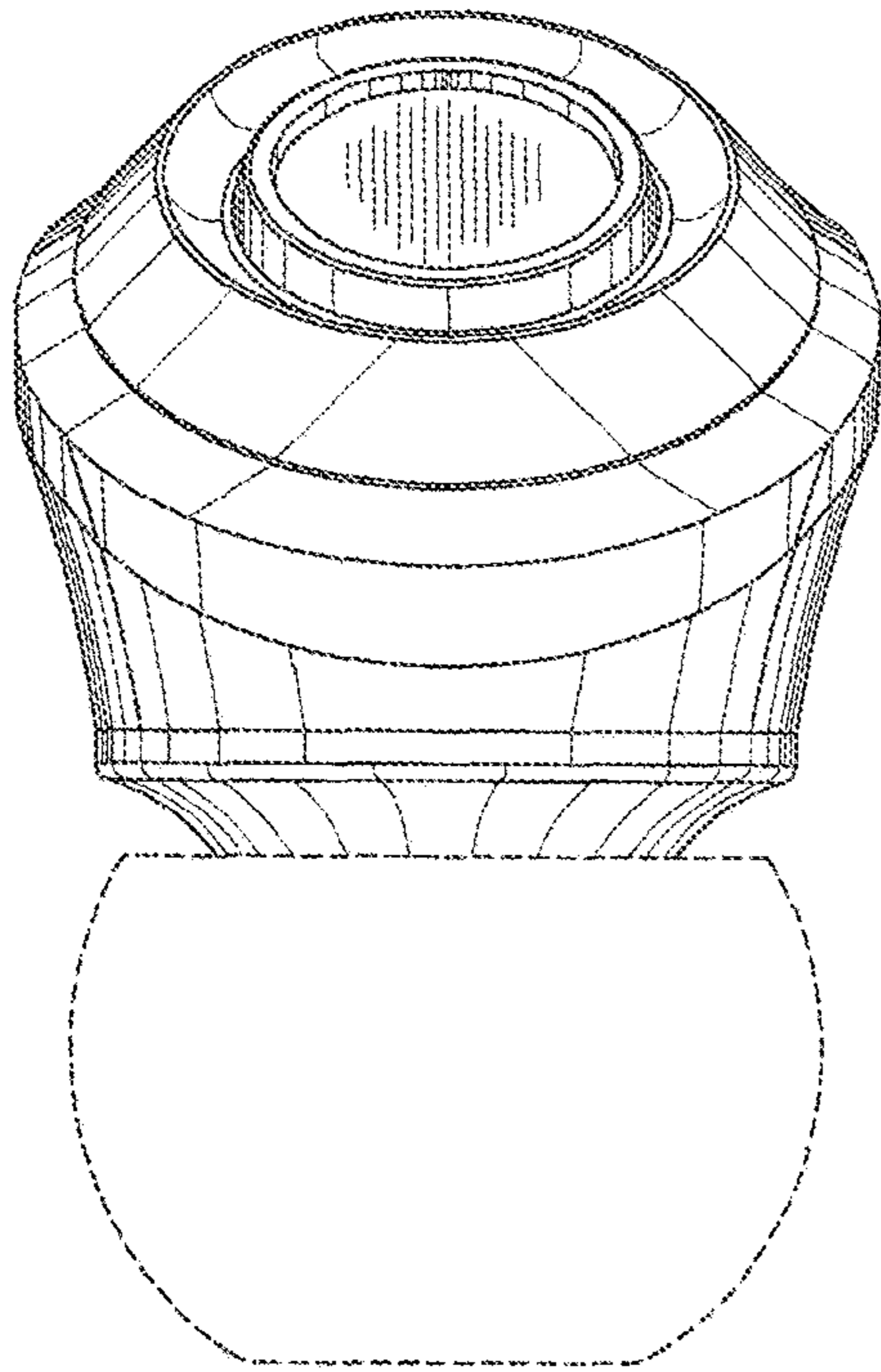


Figure 7

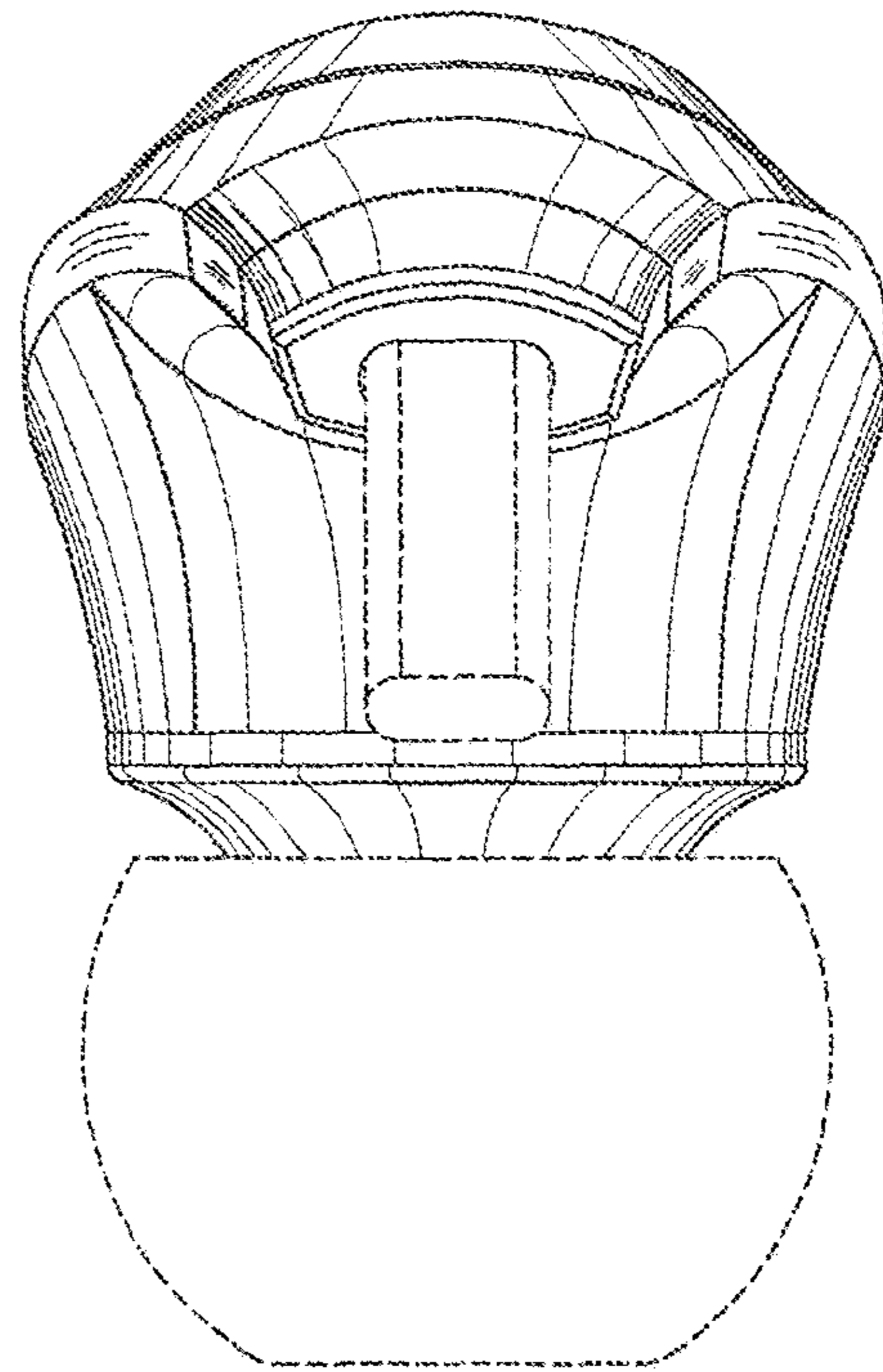


Figure 8