



US00D686596S

(12) **United States Design Patent**
Morimoto

(10) **Patent No.:** **US D686,596 S**
(45) **Date of Patent:** **** Jul. 23, 2013**

(54) **EARPHONE**

(75) Inventor: **So Morimoto**, Tokyo (JP)

(73) Assignee: **Sony Corporation**, Tokyo (JP)

(**) Term: **14 Years**

(21) Appl. No.: **29/371,847**

(22) Filed: **Oct. 25, 2011**

Related U.S. Application Data

(63) Continuation of application No. 29/371,311, filed on Dec. 28, 2010, now Pat. No. Des. 648,328.

(30) **Foreign Application Priority Data**

Aug. 4, 2010 (CN) 2010 3 0262795

(51) **LOC (9) Cl.** **14-01**

(52) **U.S. Cl.**
USPC **D14/223**

(58) **Field of Classification Search**
USPC D14/205, 206, 223; 181/129, 130,
181/135; 379/430, 431; 381/380, 381; D13/133;
455/90.3, 575.1

See application file for complete search history.

(56) **References Cited**

U.S. PATENT DOCUMENTS

4,646,872	A *	3/1987	Kamon et al.	181/129
D431,553	S	10/2000	Suzuki	
D474,171	S	5/2003	Suzuki	
D484,166	S	12/2003	Senda	
D485,548	S	1/2004	Obata	
D487,077	S	2/2004	Obata	
D517,497	S *	3/2006	Lee	D13/154
D521,933	S *	5/2006	Wade et al.	D13/147
D523,846	S *	6/2006	Lee	D14/205
D530,702	S *	10/2006	Pritchard et al.	D14/206
D559,781	S *	1/2008	Victor	D13/133

D566,104	S	4/2008	Suzuki	
7,395,101	B2	7/2008	Kim	
D575,772	S *	8/2008	Schultz et al.	D14/223
D579,413	S *	10/2008	Ball et al.	D13/133
D587,248	S	2/2009	Densho	
D587,249	S	2/2009	Densho	
D598,431	S	8/2009	Densho	
D604,272	S	11/2009	Kitayama	
D607,880	S	1/2010	Chung et al.	
D610,129	S	2/2010	Densho et al.	
D624,057	S *	9/2010	Kelly et al.	D14/223
D624,902	S *	10/2010	Kolton	D14/205
D626,948	S	11/2010	Nault	
D631,470	S	1/2011	Yoneyama et al.	
D632,677	S	2/2011	Brown et al.	
D635,558	S	4/2011	Zheng	
D637,180	S	5/2011	Shimizu et al.	
D639,283	S	6/2011	Ozawa et al.	
D639,787	S *	6/2011	Quek	D14/223
D641,011	S	7/2011	Gondo	

(Continued)

Primary Examiner — Paula Greene

(74) *Attorney, Agent, or Firm* — Rader, Fishman & Grauer PLLC

(57) **CLAIM**

The ornamental design for an earphone, as shown and described.

DESCRIPTION

FIG. 1 is a front, top, right perspective view of an earphone showing my new design;

FIG. 2 is a rear, top, right perspective view thereof;

FIG. 3 is a front elevational view thereof;

FIG. 4 is a rear elevational view thereof;

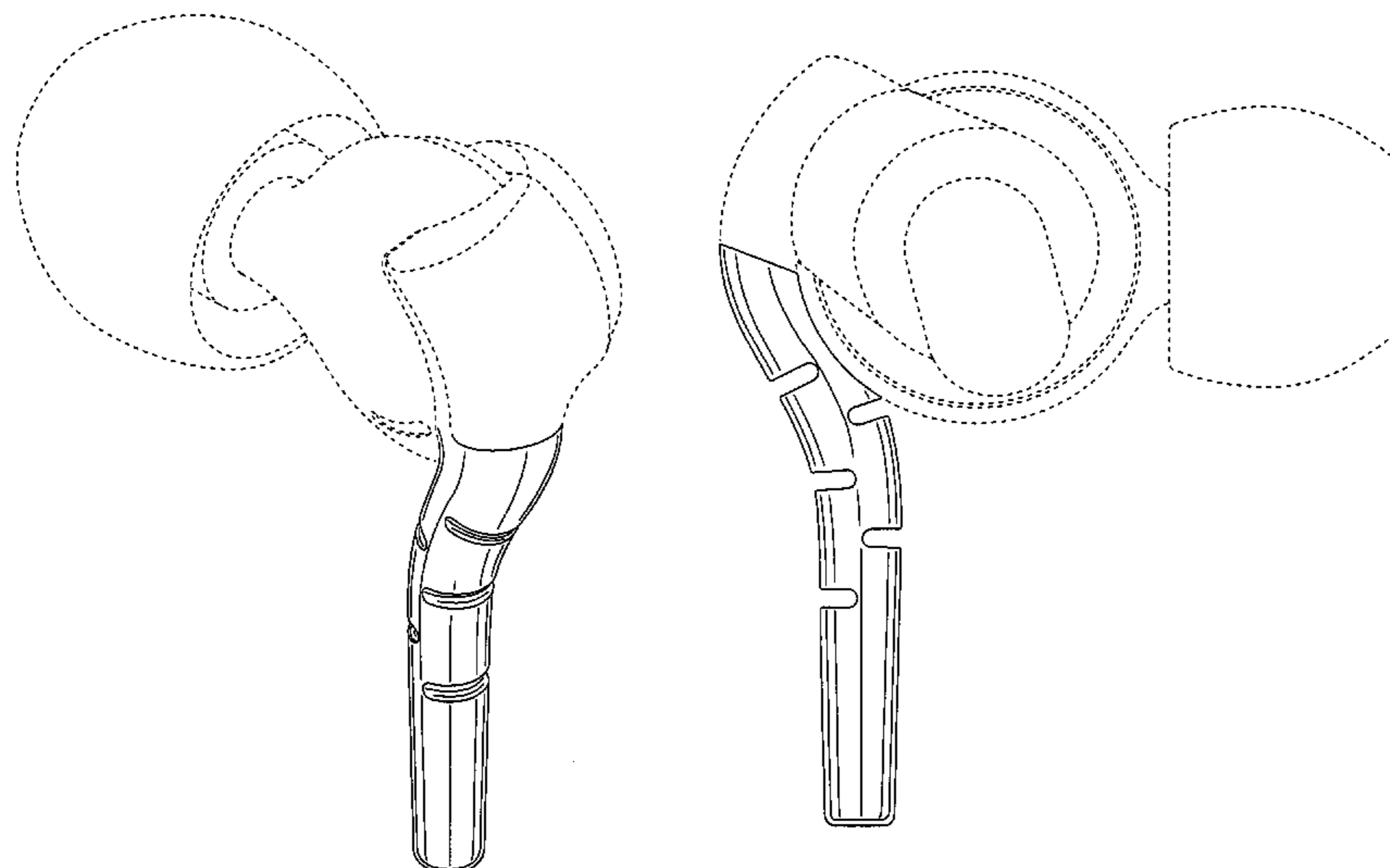
FIG. 5 is a left side elevational view thereof;

FIG. 6 is a right side elevational view thereof; and,

FIG. 7 is a bottom plan view thereof.

The portions indicated in broken lines are for illustrative purposes only and form no part of the claimed design.

1 Claim, 7 Drawing Sheets



US D686,596 S

Page 2

U.S. PATENT DOCUMENTS				D656,129 S *	3/2012	Kelly et al.	D14/223	
7,991,180 B2 *	8/2011	Moon	381/380	D662,493 S *	6/2012	Chen	D14/223
D654,057 S *	2/2012	Burgett et al.	D14/223	* cited by examiner				

FIG. 1

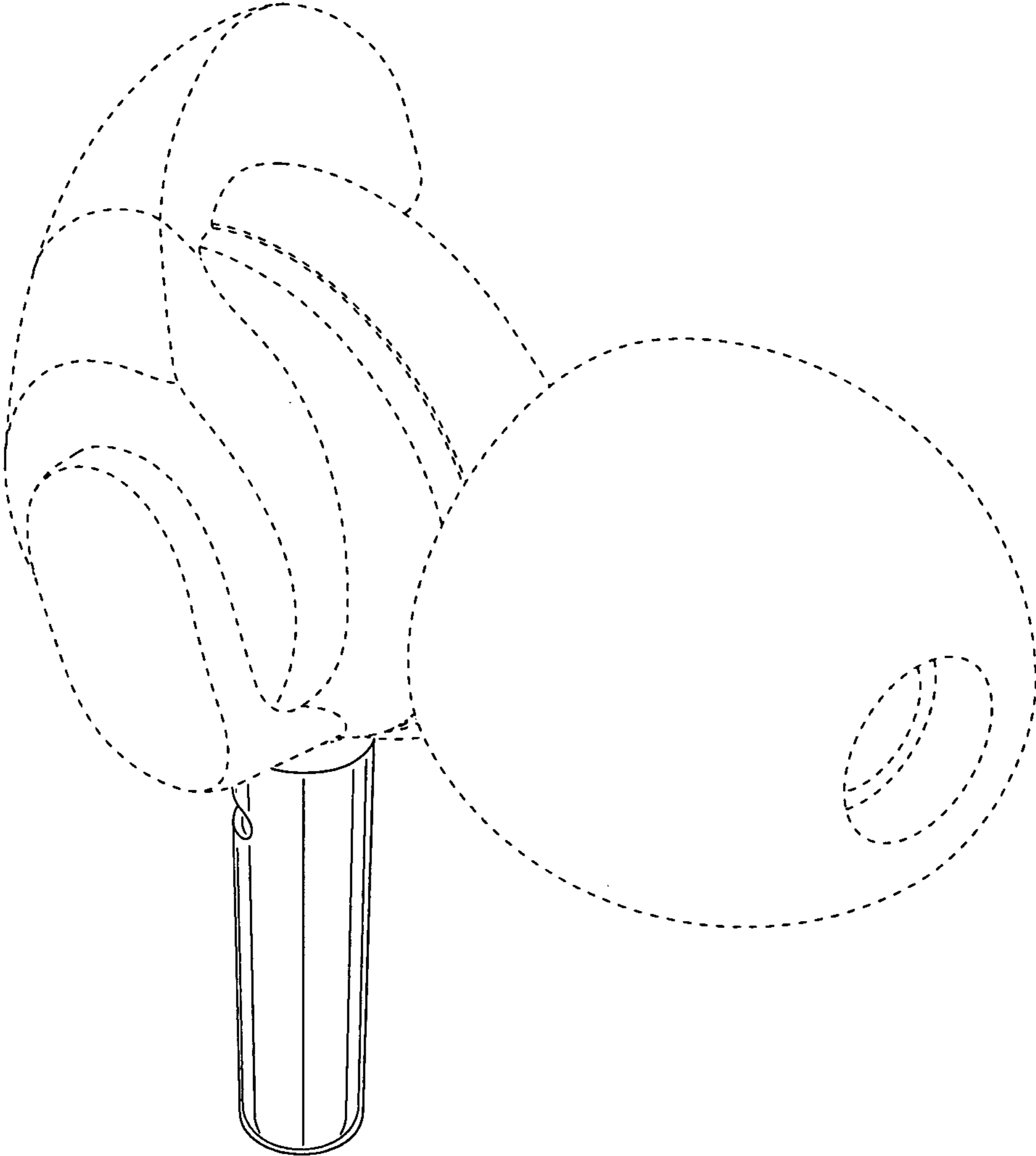


FIG.2

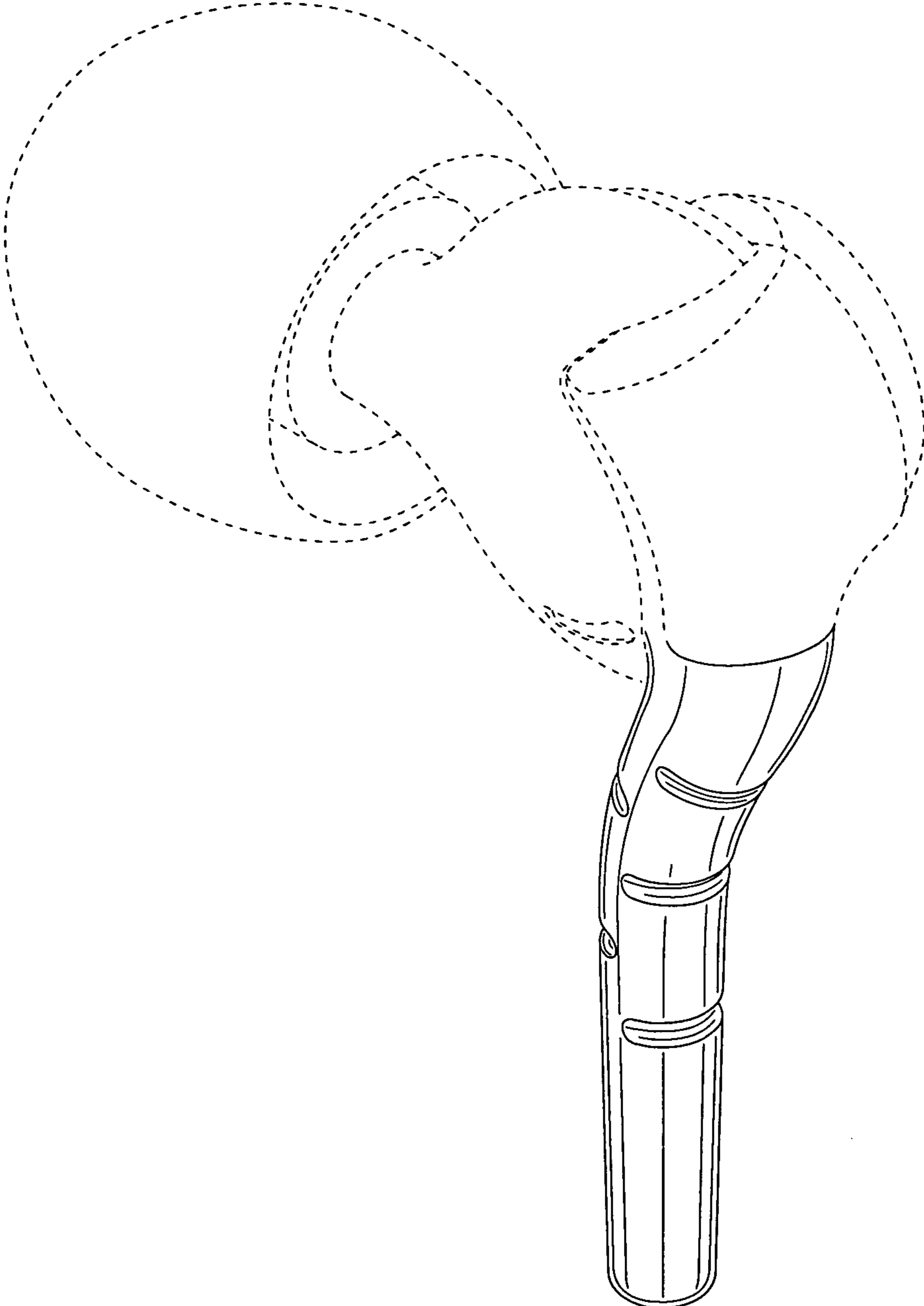


FIG.3

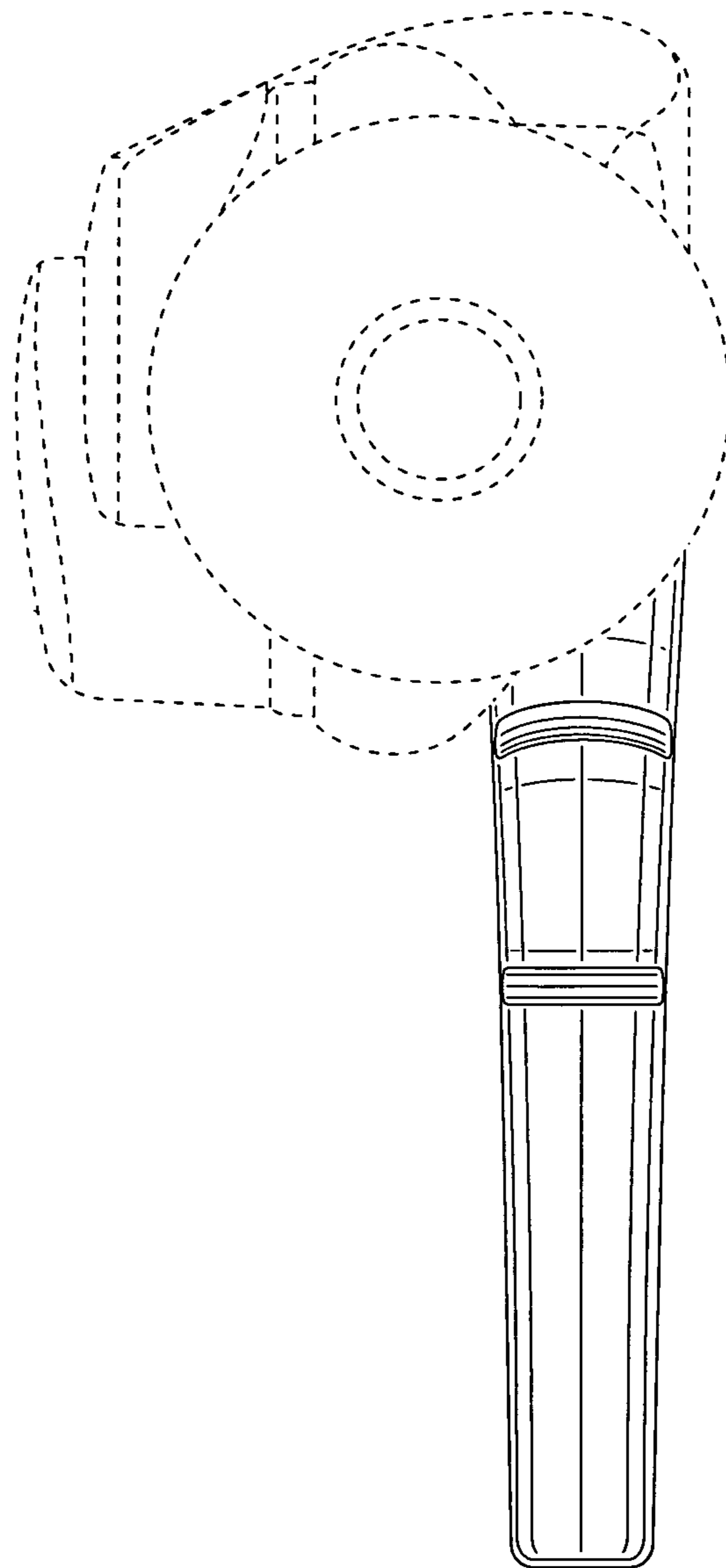


FIG.4

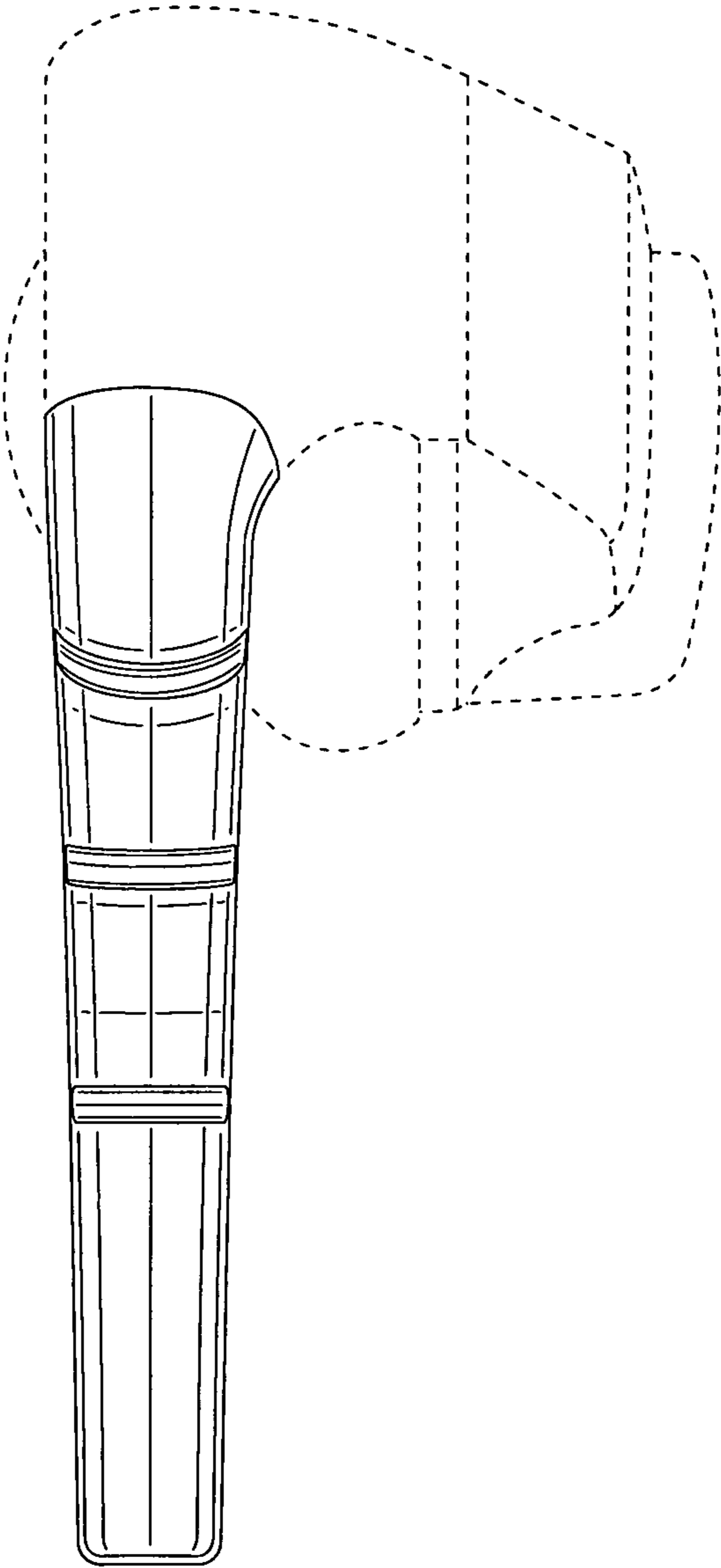


FIG.5

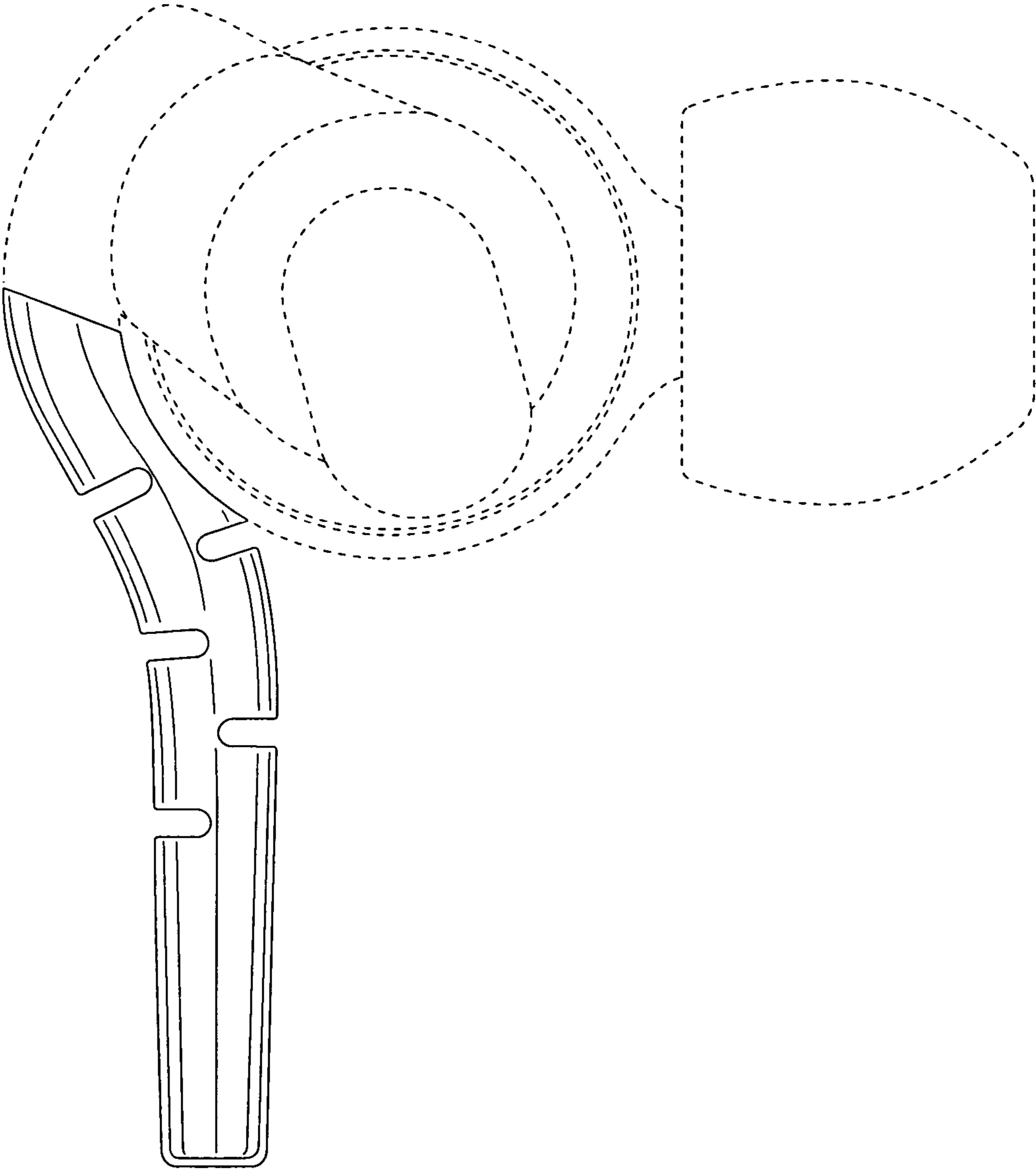


FIG.6

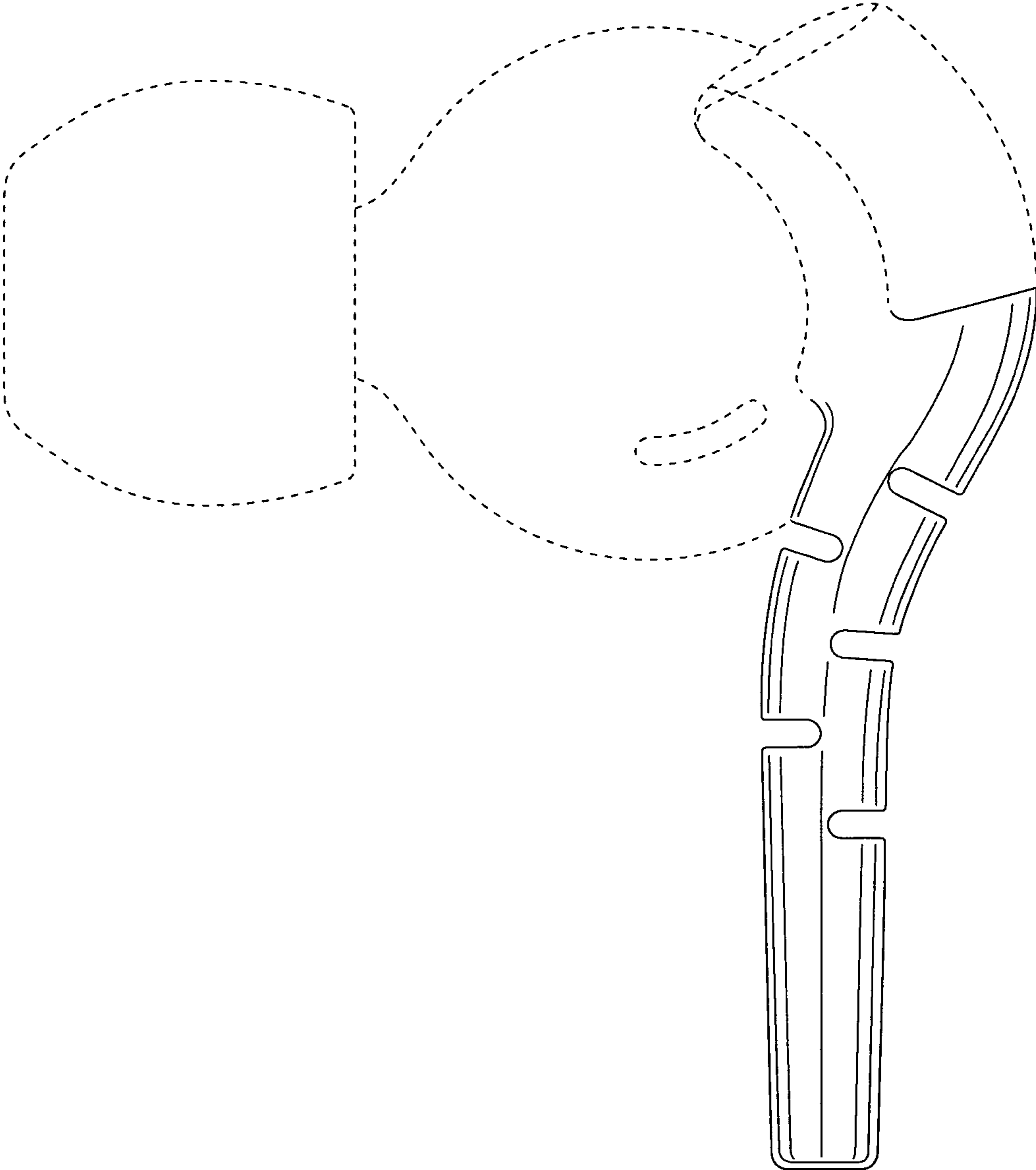


FIG.7

