



US00D686595S

(12) **United States Design Patent**
Andre et al.

(10) **Patent No.:** **US D686,595 S**
(45) **Date of Patent:** **** Jul. 23, 2013**

(54) **DOCKING STATION**

(56) **References Cited**

(75) Inventors: **Bartley K. Andre**, Melo Park, CA (US);
Daniel J. Coster, San Francisco, CA
(US); **Daniele De Iuliis**, San Francisco,
CA (US); **Richard P. Howarth**, San
Francisco, CA (US); **Jonathan P. Ive**,
San Francisco, CA (US); **Duncan**
Robert Kerr, San Francisco, CA (US);
Shin Nishibori, Kailua, HI (US);
Matthew Dean Rohrbach, San
Francisco, CA (US); **Douglas B.**
Satzger, Menlo Park, CA (US); **Calvin**
Q. Seid, Palo Alto, CA (US);
Christopher J. Stringer, Woodside, CA
(US); **Eugene Antony Whang**, San
Francisco, CA (US); **Rico**
Zorkendorfer, San Francisco, CA (US)

(73) Assignee: **Apple Inc.**, Cupertino, CA (US)

(**) Term: **14 Years**

(21) Appl. No.: **29/425,719**

(22) Filed: **Jun. 26, 2012**

Related U.S. Application Data

(63) Continuation of application No. 29/237,687, filed on
Sep. 2, 2005, now Pat. No. Des. 662,491.

(51) **LOC (9) Cl.** **14-03**

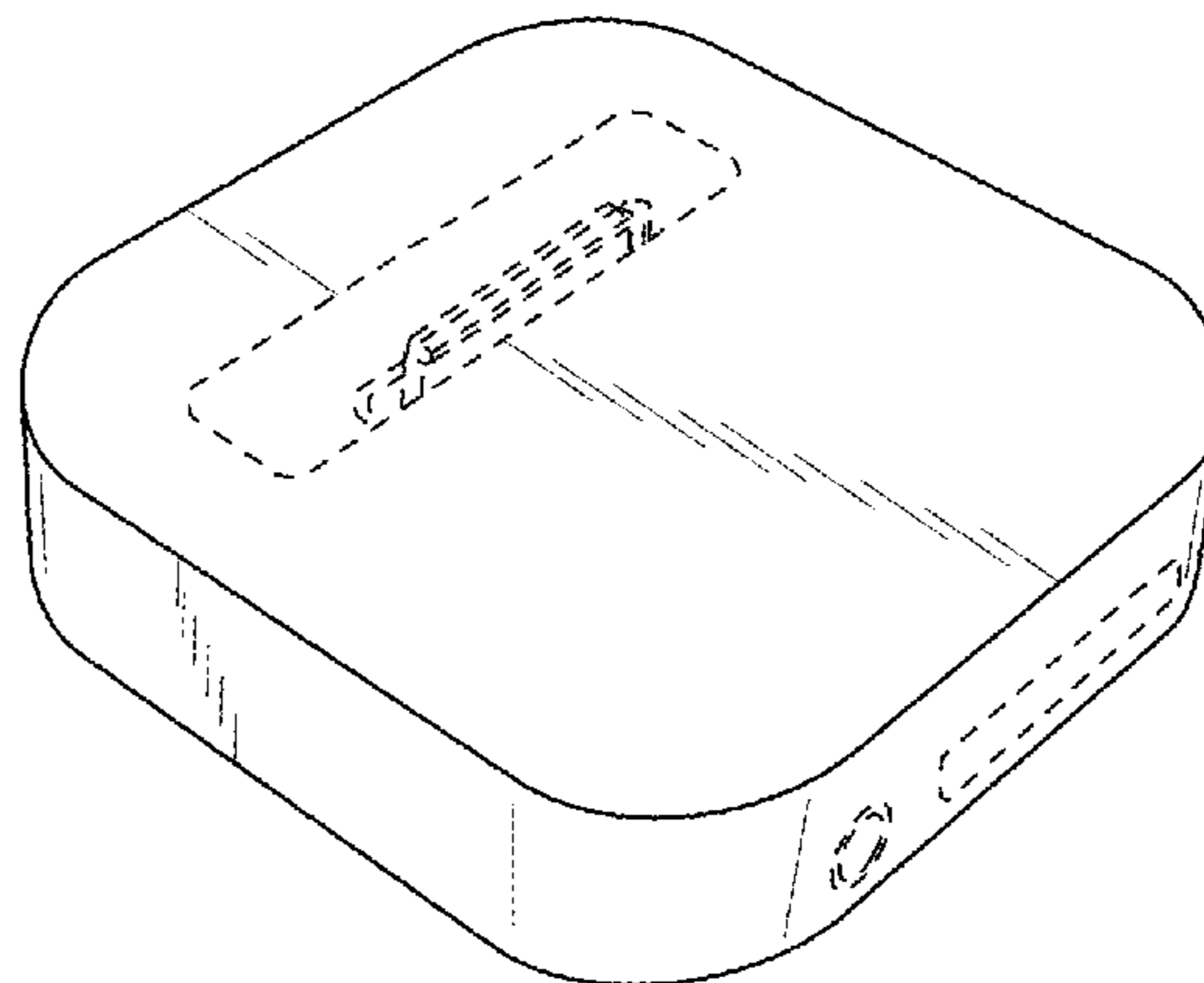
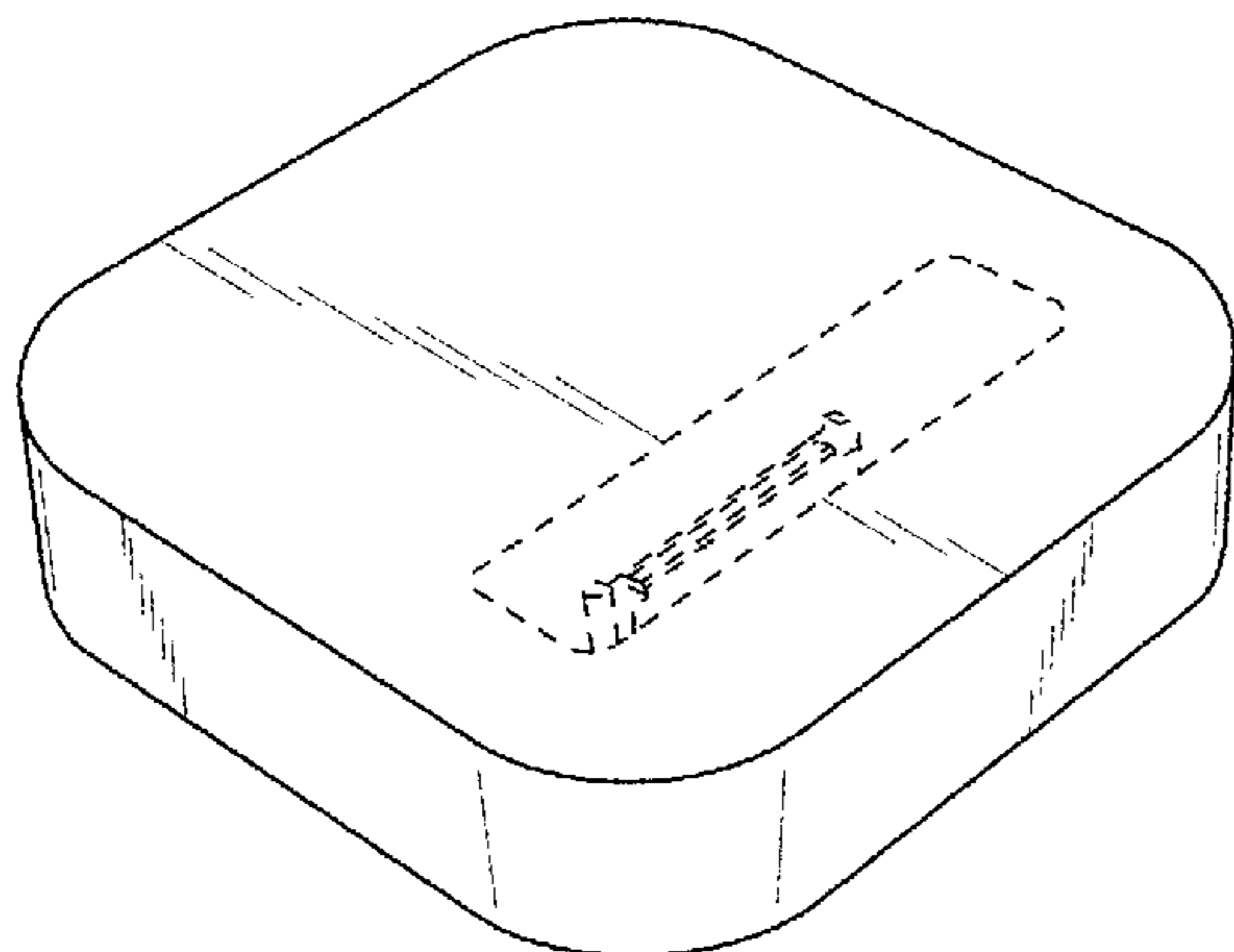
(52) **U.S. Cl.**
USPC **D14/217**

(58) **Field of Classification Search**
USPC D14/142, 149, 155, 157, 188, 191-193,
D14/203.1-203.8, 217, 238.1, 251, 253,
432-435.1, 447, 451, 474, 480.1-480.7, 496;
D13/107, 108, 118; D3/218; 248/221.11,
248/309.1; 320/107, 110, 113-115; 361/600;
439/529, 534; 455/556.1-556.2, 557

See application file for complete search history.

U.S. PATENT DOCUMENTS

D288,555 S	3/1987	Gemmell	
D327,060 S *	6/1992	Wachob et al.	D14/138 R
D328,277 S	7/1992	Leman et al.	
D336,631 S	6/1993	Ivester	
D350,330 S	9/1994	Peterson	
D374,858 S	10/1996	Chu	
5,600,225 A	2/1997	Goto	
5,627,777 A	5/1997	Tamanoi et al.	
D385,530 S	10/1997	Hames et al.	
D388,764 S	1/1998	Bartling et al.	
D397,996 S	9/1998	Smith	
D409,987 S	5/1999	Okumura	
D411,166 S	6/1999	Uemura et al.	
5,952,814 A	9/1999	Van Lerberghe	
D416,536 S	11/1999	Ross et al.	
D419,160 S	1/2000	Davidson et al.	
6,042,414 A	3/2000	Kunert	
D422,556 S	4/2000	Okura et al.	
D439,908 S	4/2001	Gozani	
D440,542 S	4/2001	Hawkins et al.	
D442,939 S	5/2001	Goldenburg	
D444,121 S	6/2001	Chun et al.	
D444,124 S	6/2001	Casey et al.	
6,307,348 B1	10/2001	Green	
D450,707 S	11/2001	Francavilla et al.	
D454,332 S	3/2002	Yokoyama	
D459,299 S	6/2002	Hughes et al.	
D461,476 S	8/2002	Evers et al.	
D463,361 S	9/2002	Ruohonen	
D466,122 S	11/2002	Moody	
D468,305 S	1/2003	Ma et al.	
6,524,240 B1	2/2003	Thede	
D472,900 S	4/2003	Matsumoto	
D477,823 S	7/2003	Lavello, Sr.	
D487,897 S	3/2004	Huang et al.	
6,711,005 B2	3/2004	Martin	
D495,336 S	8/2004	Andre et al.	
6,798,547 B2	9/2004	Wilson et al.	
6,813,528 B1	11/2004	Yang	
D503,679 S	4/2005	Andre et al.	
6,898,080 B2	5/2005	Yin et al.	
D510,091 S	9/2005	Mori et al.	
D525,616 S	7/2006	Andre et al.	
7,075,579 B2	7/2006	Whitby et al.	
D526,321 S	8/2006	Hayes et al.	
D526,648 S	8/2006	Andre et al.	
D530,717 S	10/2006	Mori et al.	
D532,005 S	11/2006	Leith	
D533,177 S	12/2006	Andre et al.	



7,145,603	B2	12/2006	Whitby et al.	
D535,614	S	1/2007	Majanen et al.	
D542,288	S	5/2007	Andre et al.	
D551,212	S	9/2007	Andre et al.	
D551,213	S	9/2007	Andre et al.	
D552,085	S	10/2007	Andre et al.	
D558,738	S	1/2008	Andre et al.	
D558,739	S	1/2008	Andre et al.	
D590,770	S *	4/2009	Moss	D13/108
D592,187	S *	5/2009	Ledbetter et al.	D14/217
D596,621	S	7/2009	Andre et al.	
7,580,255	B2	8/2009	Crooijmans et al.	
7,719,830	B2	5/2010	Howarth et al.	
D648,707	S *	11/2011	Akana et al.	D14/217
D660,794	S *	5/2012	Fahrendorff et al.	D13/108
D662,471	S *	6/2012	Fahrendorff et al.	D13/108
D662,491	S *	6/2012	Andre et al.	D14/217
2002/0103008	A1	8/2002	Rahn et al.	
2003/0198015	A1	10/2003	Vogt	
2007/0047198	A1 *	3/2007	Crooijmans et al.	361/686
2009/0009957	A1	1/2009	Crooijmans et al.	

OTHER PUBLICATIONS

“Adaptec xHub for Notebooks”, Everything USB, (http://www.everythingusb.com/hardware/index/Adaptech_xHub_for_Notebooks.htm), 2 pages, downloaded Feb. 27, 2007.
 “Belkin’s Top-loading USB Hub for iPod shuffle”, Everything USB, (http://www.everythingusb.com/belkin_hispeed_usb_2.0_4-port_hub.html), 2 pages, downloaded Feb. 27, 2007.
 Belkin Hi-Speed USB 2.0 7-Port Hub, Everything USB, (http://www.everythingusb.com/hardware/index/Belkin_Hi-Speed_USB_2.0_7-Port_Hub.html), 3 pages, downloaded Feb. 27, 2007.
 “iPod Dock Cradle”, Bookendz, (www.bookendzdocks.com/bookendz/dock_cradle.htm), 1 page, downloaded Apr. 11, 2003.
 “Bookendz Home Page”, Bookendz, (www.bookendzdocks.com/bookendz.indez/htm), downloaded Apr. 11, 2003.
 “Atech Flash Technology iDuo iPod Dock and Card Reader”, (www.thegadgeteer.com), 9 pages, downloaded Nov. 21, 2005.

* cited by examiner

Primary Examiner — Keli L Hill
 (74) Attorney, Agent, or Firm — Sterne, Kessler, Goldstein & Fox P.L.L.C.

(57) **CLAIM**
 The ornamental design for a docking station, as shown and described.

DESCRIPTION

An example of an electronic device is shown and described, for example, in U.S. Design patent application Ser. No. 29/237,090, filed Aug. 24, 2005 and entitled “Media Device,” which is herein incorporated by reference. All of the material from the U.S. Design Patent application that is essential to the claimed design is included herein. Any material in the U.S. Design Patent application that is not present herein forms no part of the claimed design.

FIG. 1 is a front perspective view of a cover showing our new design;

FIG. 2 is a rear perspective view thereof;

FIG. 3 is a top view thereof;

FIG. 4 is a bottom view thereof;

FIG. 5 is a front view thereof;

FIG. 6 is a rear view thereof;

FIG. 7 is a left side view thereof;

FIG. 8 is a right side view thereof;

FIG. 9 is a front view of an electronic device being inserted into the docking station;

FIG. 10 is a front view of the docking station with the electronic device inserted therein; and,

FIG. 11 is a side view of the docking station with the electronic device inserted therein.

The broken lines in the Figures show portions of the docking station which form no part of the claimed design. The broken lines in the Figures showing the electronic device show environmental structure only and form no part of the claimed design.

The shade lines in the Figures show contour and not surface ornamentation.

1 Claim, 6 Drawing Sheets

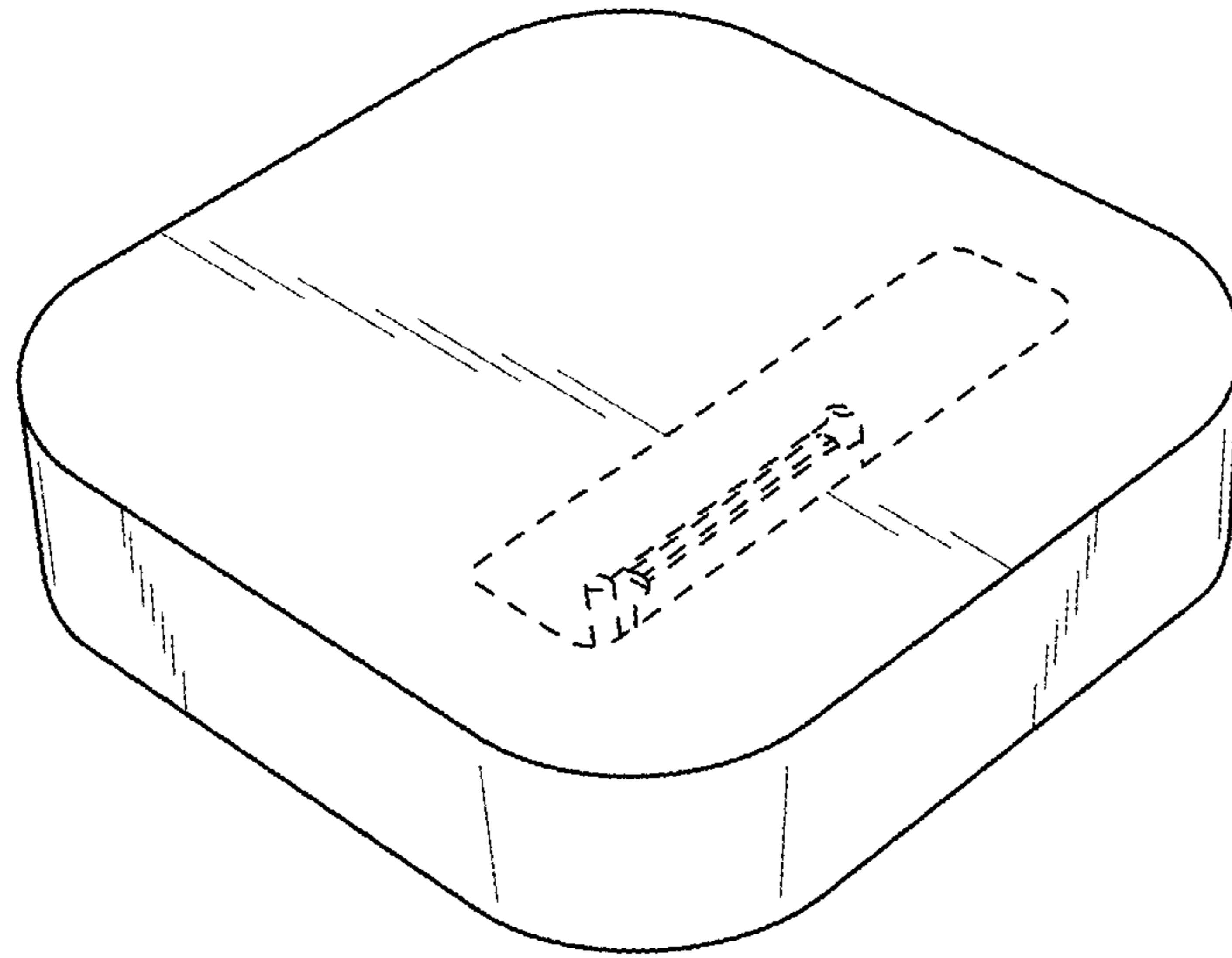


FIG. 1

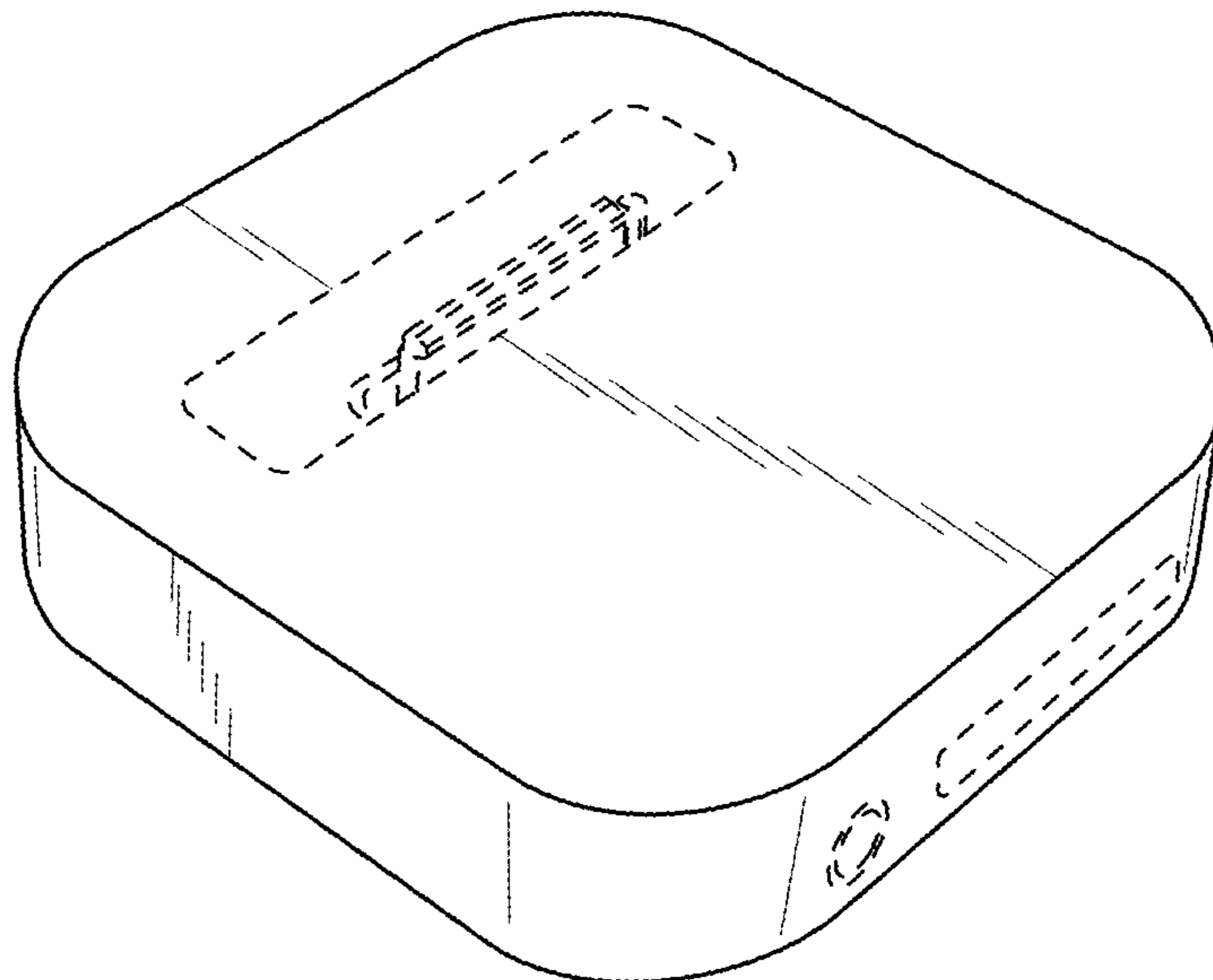


FIG. 2

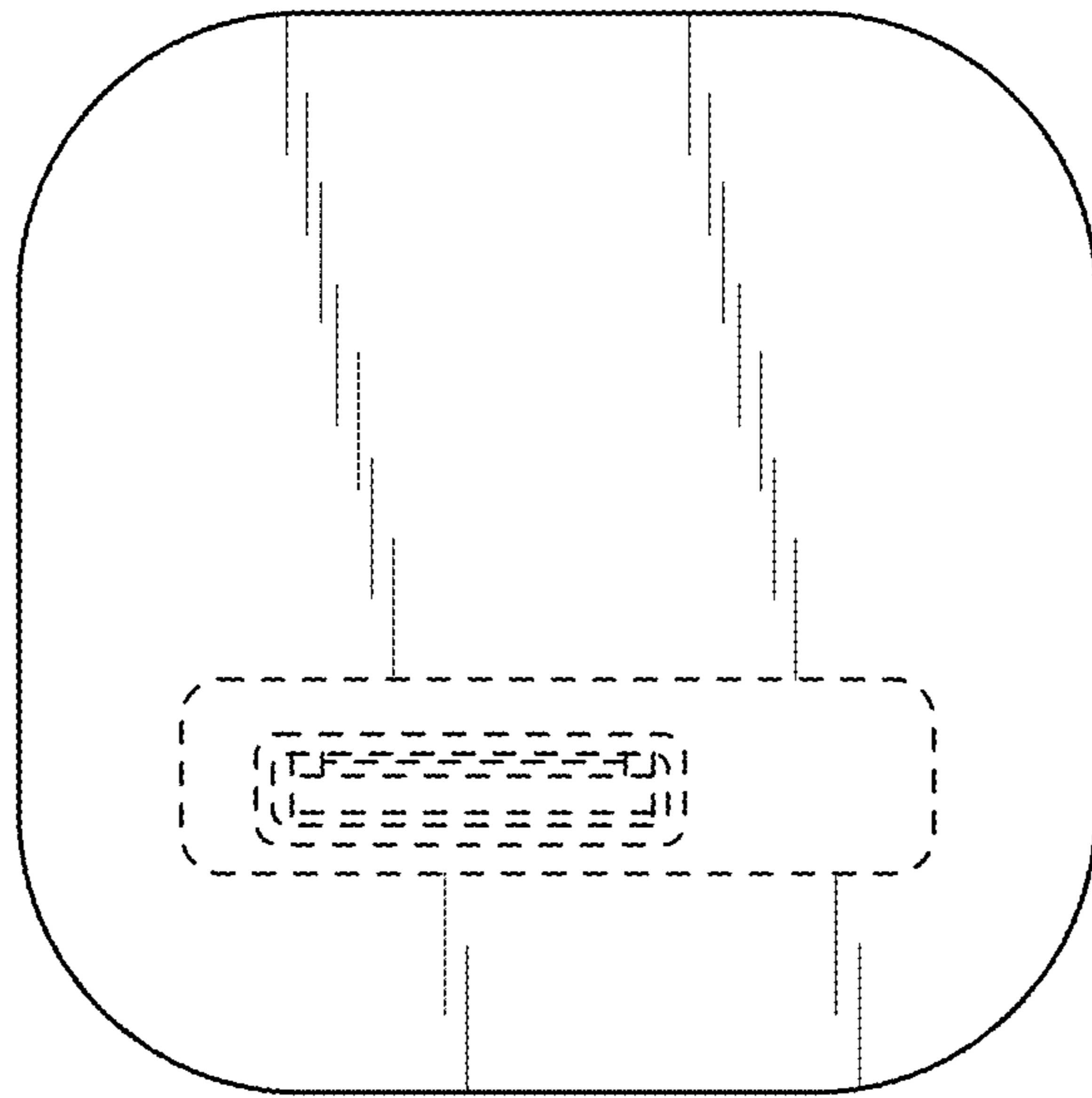


FIG. 3

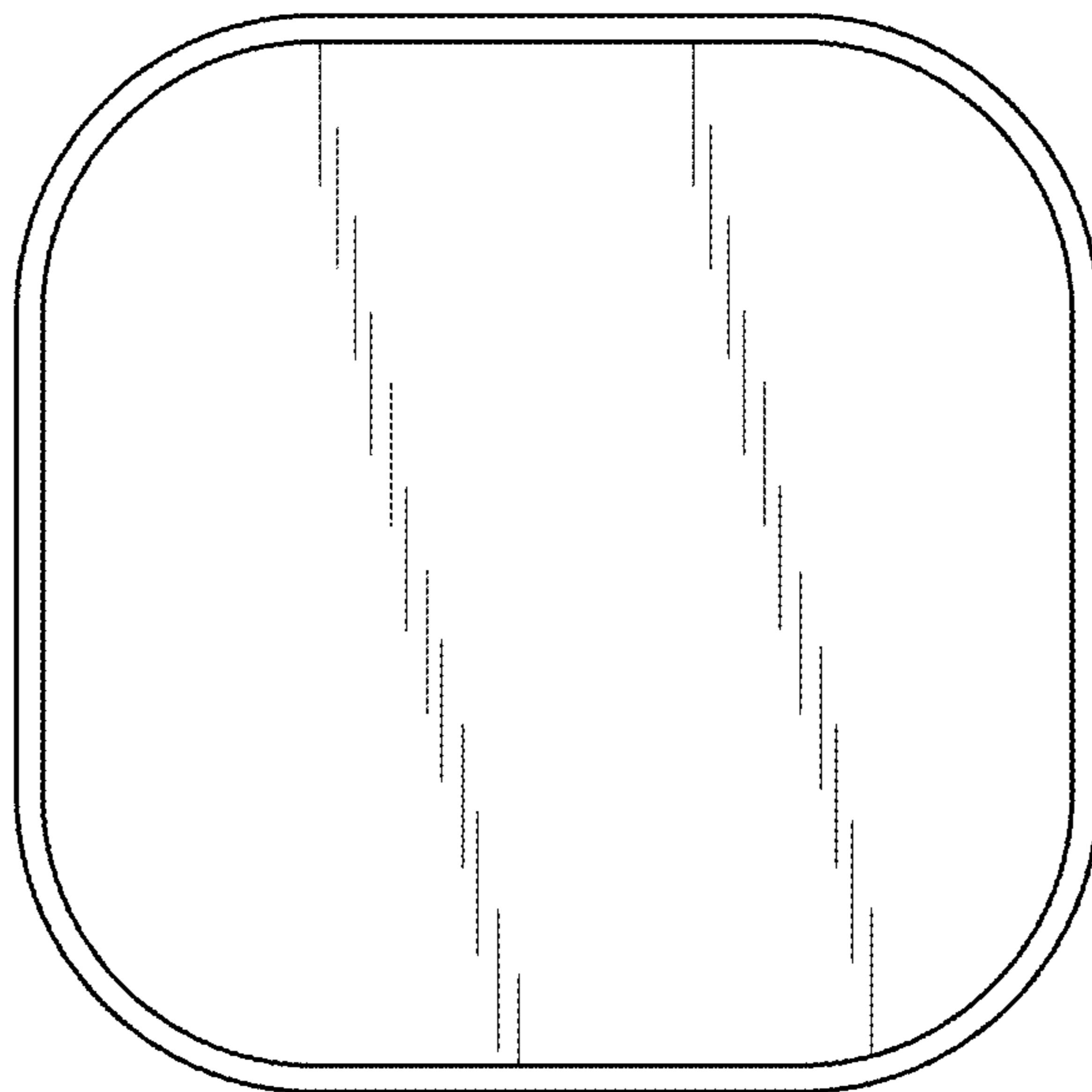


FIG. 4

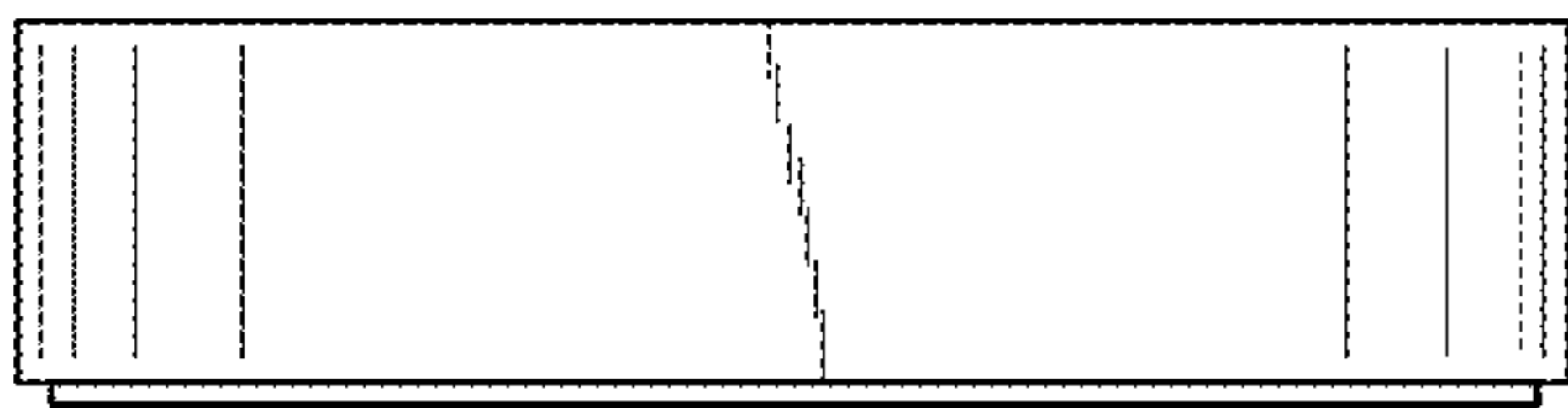


FIG. 5

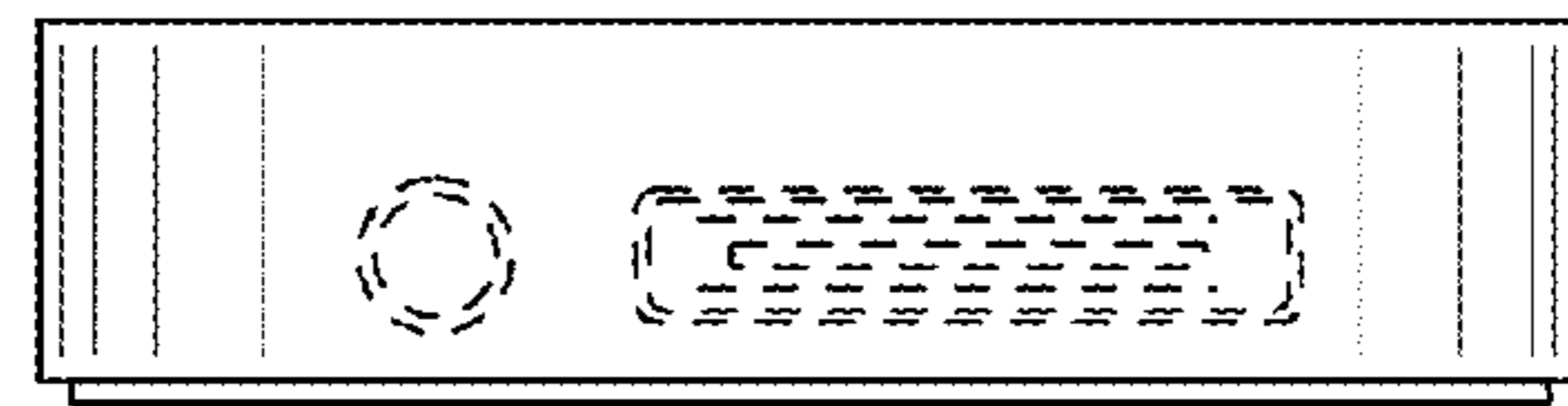


FIG. 6

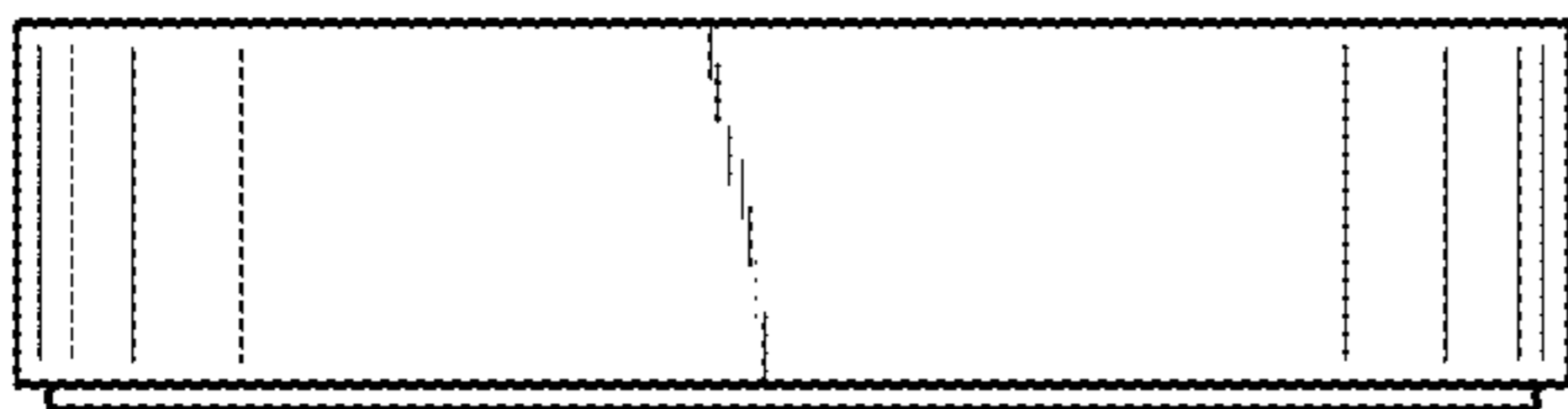


FIG. 7



FIG. 8

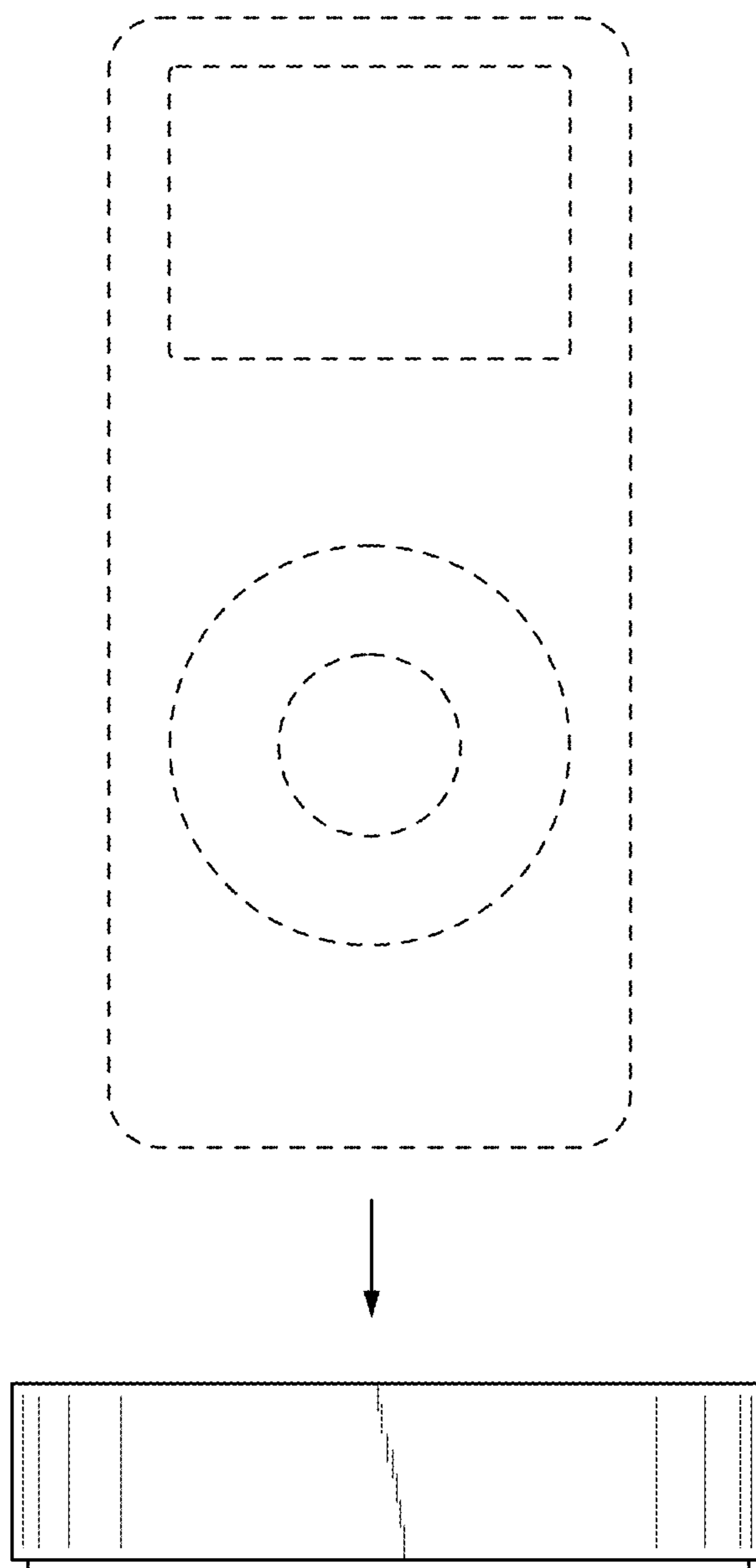


FIG. 9

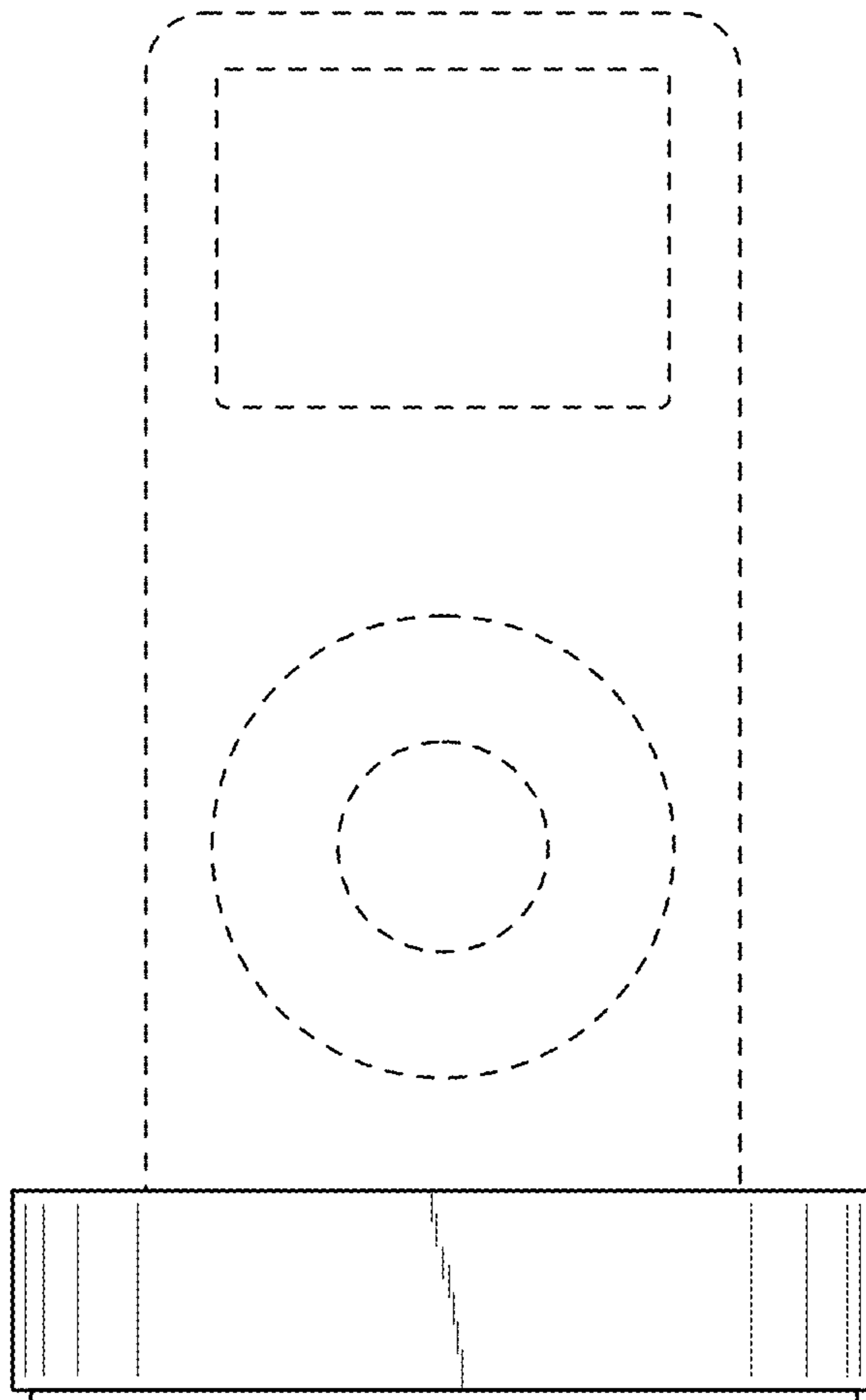


FIG. 10

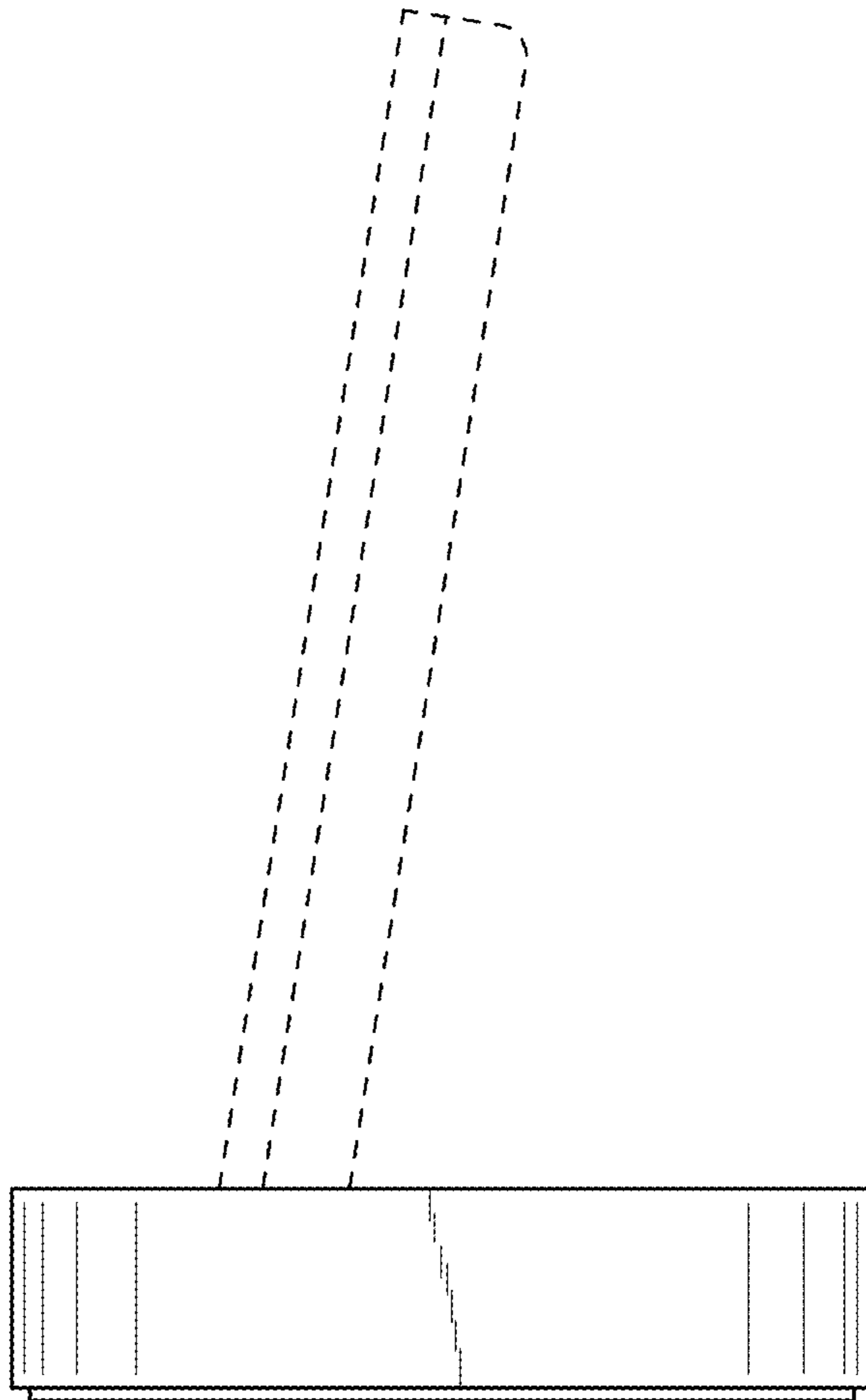


FIG. 11

UNITED STATES PATENT AND TRADEMARK OFFICE
CERTIFICATE OF CORRECTION

PATENT NO. : D686,595 S
APPLICATION NO. : 29/425719
DATED : July 23, 2013
INVENTOR(S) : Andre et al.

Page 1 of 1

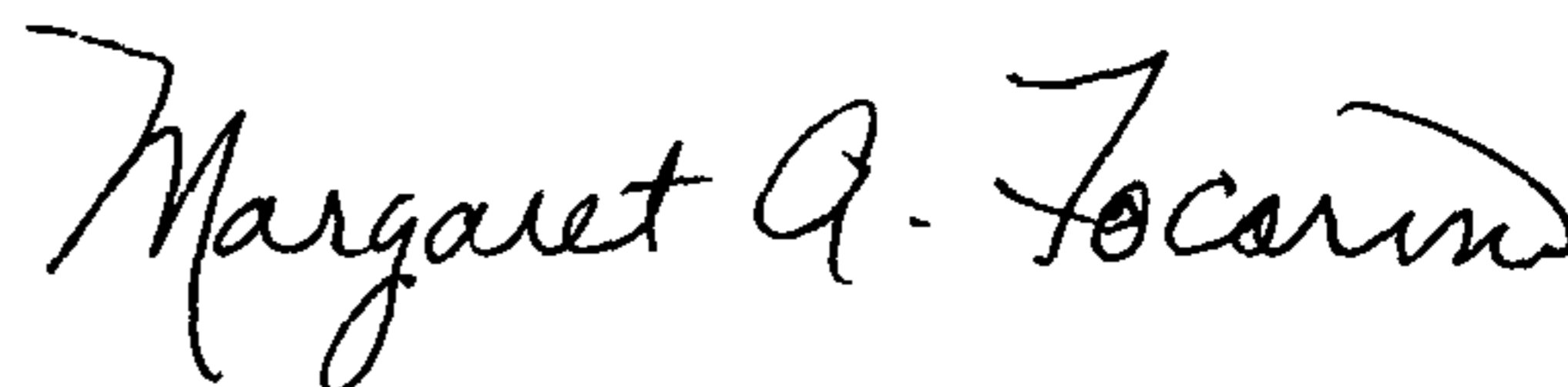
It is certified that error appears in the above-identified patent and that said Letters Patent is hereby corrected as shown below:

On Title Page 2, DESCRIPTION,

please change "FIG. 1 is a front perspective of a cover showing our new design;"

to -- FIG. 1 is a front perspective of a docking station showing our new design; --.

Signed and Sealed this
Thirty-first Day of December, 2013



Margaret A. Focarino
Commissioner for Patents of the United States Patent and Trademark Office