



US00D686593S

(12) **United States Design Patent**
Larsen

(10) **Patent No.:** **US D686,593 S**
(45) **Date of Patent:** **** Jul. 23, 2013**

(54) **HEADPHONES**

(76) Inventor: **Lars Holme Larsen**, Copenhagen N (DK)

(**) Term: **14 Years**

(21) Appl. No.: **29/428,620**

(22) Filed: **Aug. 1, 2012**

(30) **Foreign Application Priority Data**

Feb. 1, 2012 (EM) 001984584-0002

(51) **LOC (9) Cl.** **14-01**

(52) **U.S. Cl.**
USPC **D14/205**

(58) **Field of Classification Search**
USPC D14/205; 181/129, 130, 135; 379/430, 379/431; D29/112; 2/209; 381/380, 381, 381/370, 371, 374, 378, 379, 383; 455/90.3
See application file for complete search history.

(56) **References Cited**

U.S. PATENT DOCUMENTS

3,098,307	A *	7/1963	Caldwell, Jr.	434/185
3,272,926	A *	9/1966	Falkenberg	381/372
4,133,053	A *	1/1979	Lundin	2/209
4,499,593	A *	2/1985	Antle	381/378
4,542,803	A *	9/1985	Houng	181/129
4,689,822	A *	8/1987	Houng	381/379

4,747,145	A *	5/1988	Wiegel	381/379
D313,092	S *	12/1990	Nilsson	D29/112
D517,527	S *	3/2006	Suzuki	D14/205
D518,474	S *	4/2006	Suzuki	D14/205
D563,382	S *	3/2008	Wikel	D14/205
D609,694	S *	2/2010	Komiyama	D14/205
D620,474	S *	7/2010	Komiyama	D14/205
D635,958	S *	4/2011	Ando et al.	D14/205
D663,717	S *	7/2012	Hutchieson	D14/206
D664,116	S *	7/2012	Hutchieson	D14/205

* cited by examiner

Primary Examiner — Paula Greene

(74) *Attorney, Agent, or Firm* — Stein IP, LLC

(57) **CLAIM**

The ornamental design for headphones, as shown and described.

DESCRIPTION

FIG. 1 is a front elevational view of headphones showing my new design;
FIG. 2 is a rear elevational view thereof;
FIG. 3 is a right side elevational view thereof;
FIG. 4 is a left side elevational view thereof;
FIG. 5 is a top plan view thereof;
FIG. 6 is a bottom plan view thereof; and,
FIG. 7 is a perspective view thereof.

1 Claim, 5 Drawing Sheets

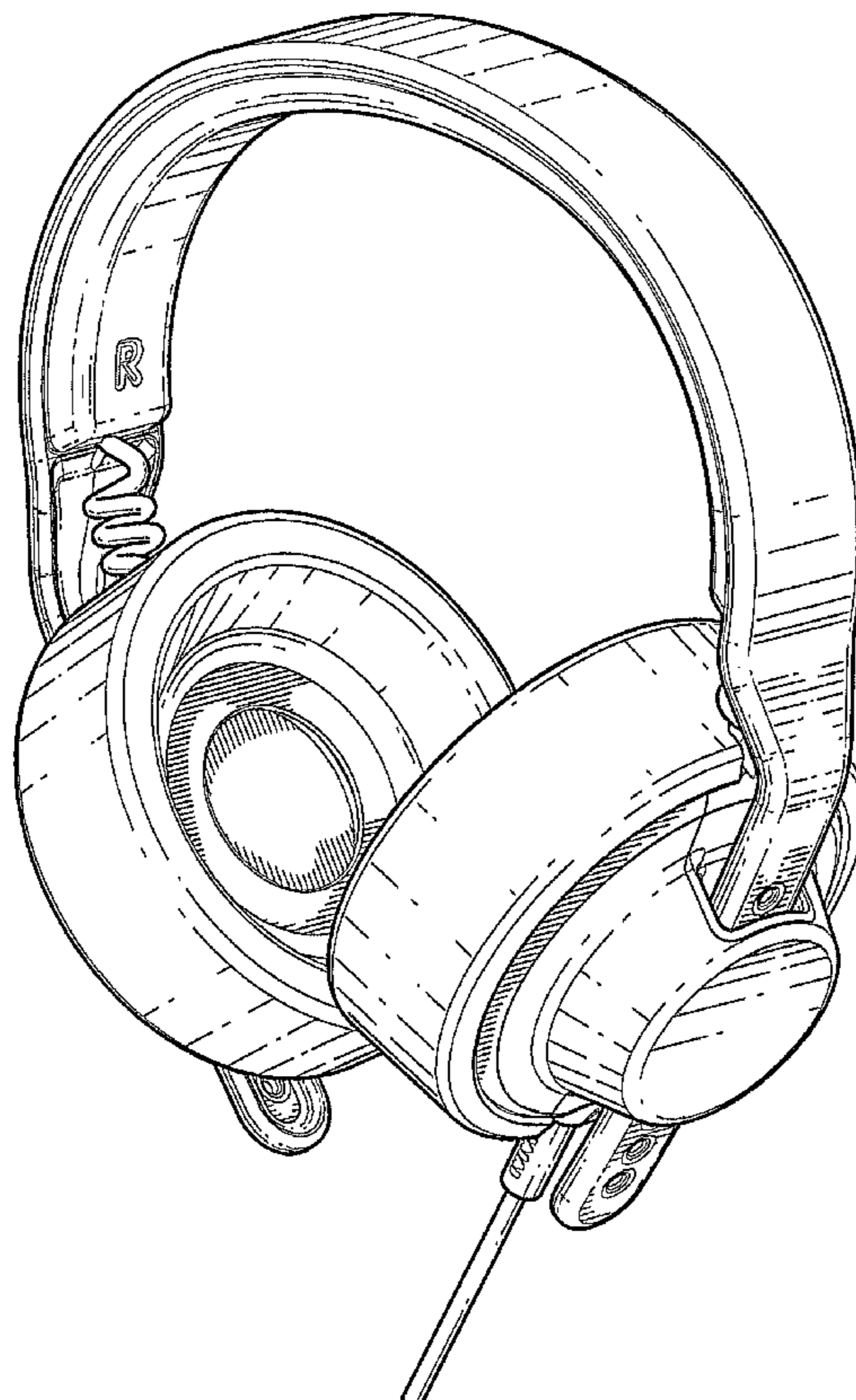




FIG. 1



FIG. 2

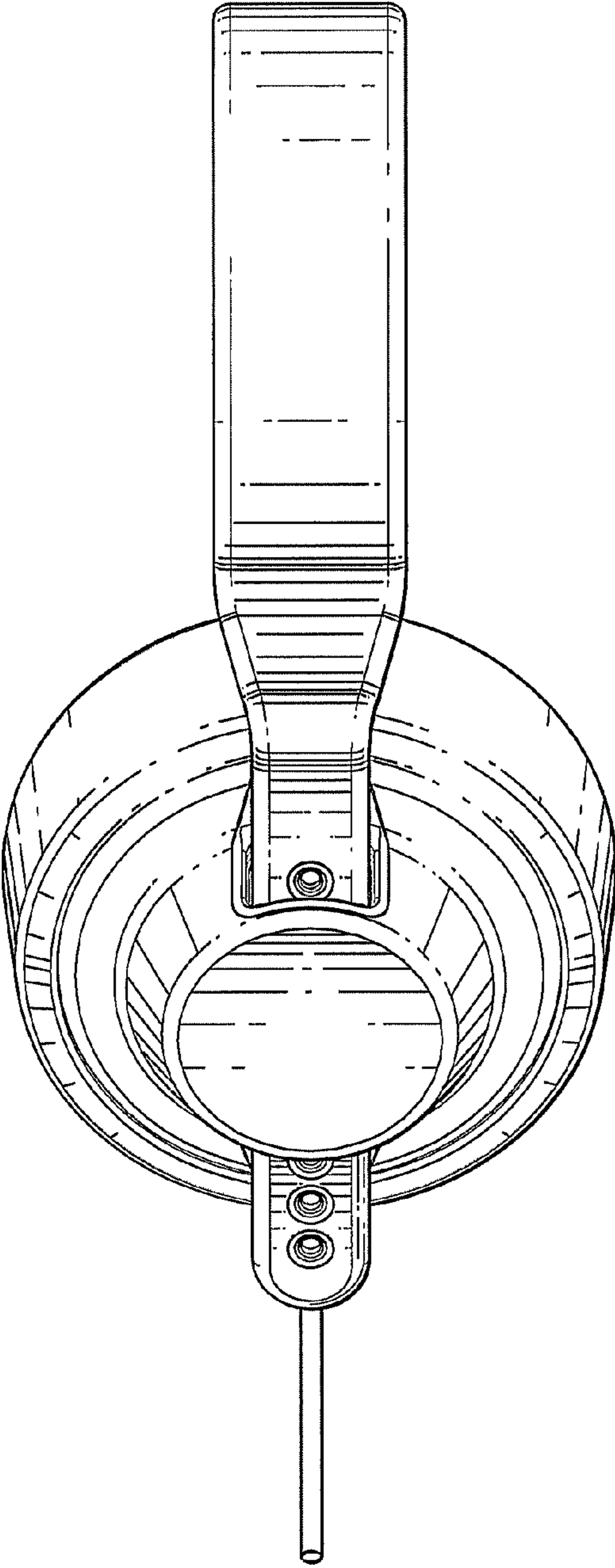


FIG. 3

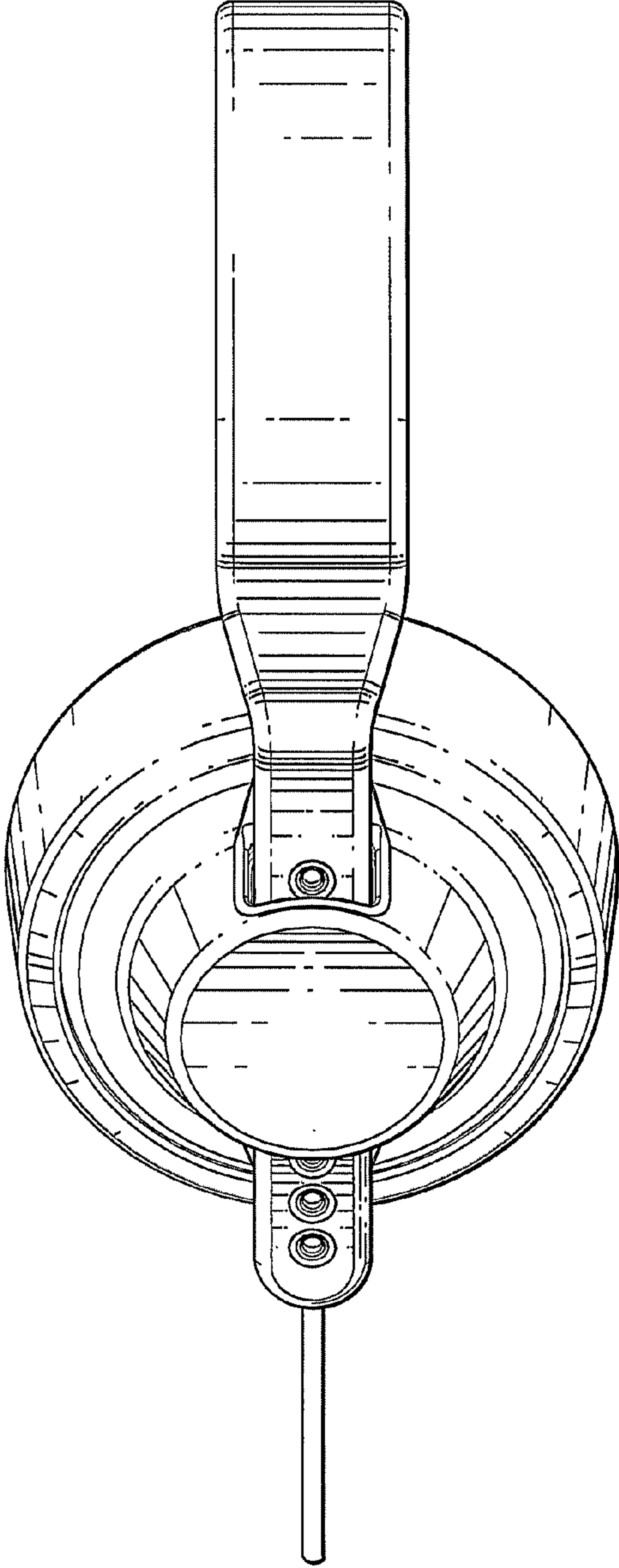


FIG. 4

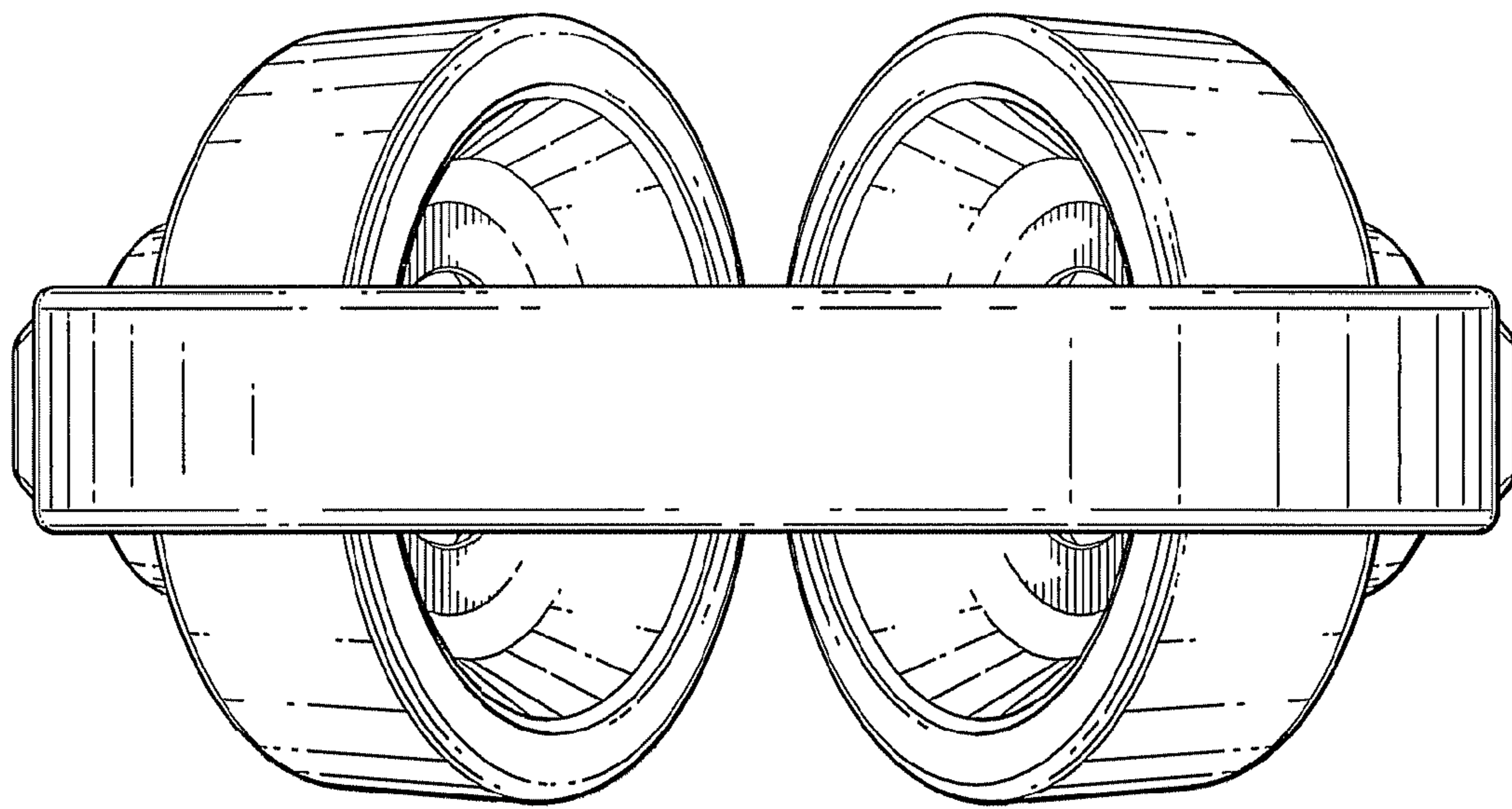


FIG. 5

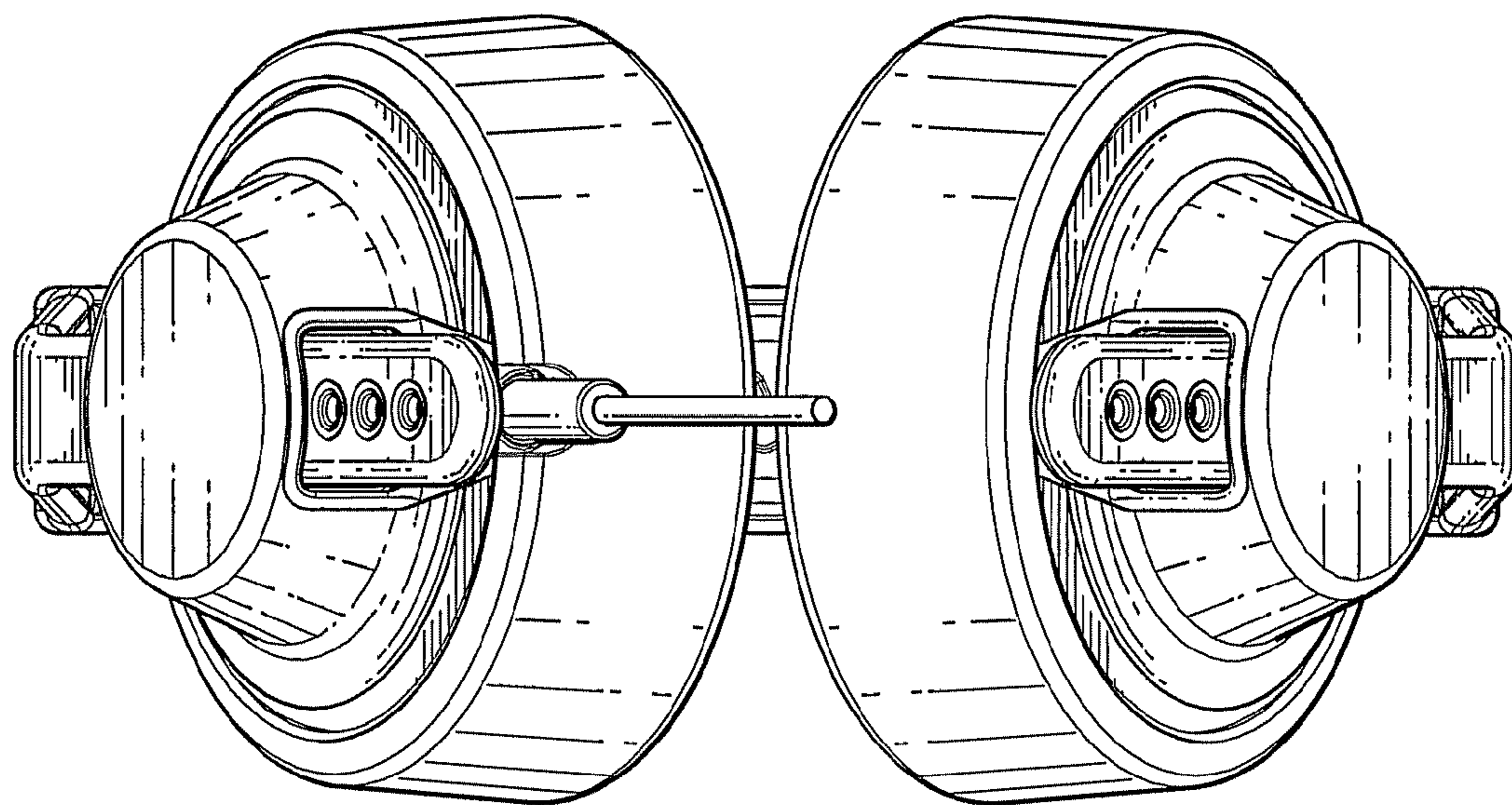


FIG. 6

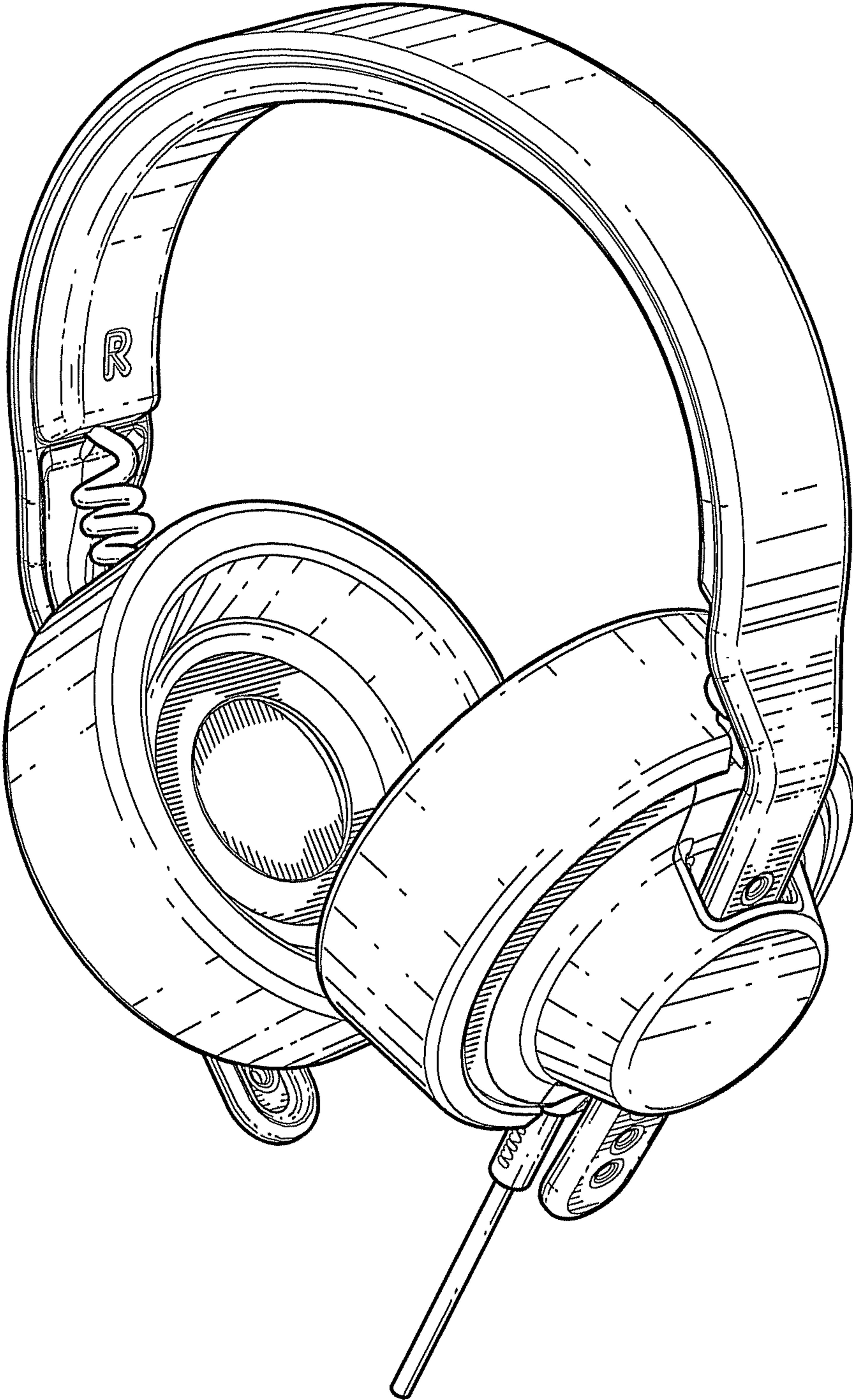


FIG. 7