



US00D686592S

(12) **United States Design Patent**
Gondo

(10) **Patent No.:** **US D686,592 S**
(45) **Date of Patent:** **** Jul. 23, 2013**

(54) **HEADPHONE**

(75) Inventor: **Makoto Gondo**, Kanagawa (JP)

(73) Assignee: **JVC Kenwood Corporation**, Kanagawa (JP)

(**) Term: **14 Years**

(21) Appl. No.: **29/420,371**

(22) Filed: **May 8, 2012**

(30) **Foreign Application Priority Data**

Nov. 8, 2011 (JP) 2011-025726

(51) **LOC (9) Cl.** **14-01**

(52) **U.S. Cl.**
USPC **D14/205**

(58) **Field of Classification Search**

USPC D14/205, 206, 223, 192, 188; 181/129,
181/130, 135; 379/430, 431; 381/380, 381;
D29/112, 122; 2/209; 455/90.3, 575.1

See application file for complete search history.

(56) **References Cited**

U.S. PATENT DOCUMENTS

3,104,398	A *	9/1963	Palmaer	2/209
4,404,434	A *	9/1983	Pelt et al.	381/383
5,862,241	A *	1/1999	Nelson	381/379
6,081,604	A *	6/2000	Hikichi et al.	381/371
D430,140	S *	8/2000	Roman	D14/205
D468,723	S *	1/2003	Pham et al.	D14/205
6,654,966	B2 *	12/2003	Rolla	2/209
D491,163	S *	6/2004	Green	D14/205
D512,708	S *	12/2005	Harris et al.	D14/205

7,072,483	B2 *	7/2006	Lenhard-Backhaus	381/383
D538,261	S *	3/2007	Taylor et al.	D14/205
D562,382	S *	2/2008	Qiu	D19/35
D563,382	S *	3/2008	Wikel	D14/205
D573,581	S *	7/2008	Gondo et al.	D14/205
D588,098	S *	3/2009	Kurihara	D14/205
D588,100	S *	3/2009	Densho et al.	D14/205
D625,705	S *	10/2010	Ohuri et al.	D14/205
D634,732	S *	3/2011	Kondo et al.	D14/205
D637,176	S *	5/2011	Brunner et al.	D14/205
D673,136	S *	12/2012	Kelly et al.	D14/205
D673,519	S *	1/2013	Tan	D14/205

* cited by examiner

Primary Examiner — Paula Greene

(74) *Attorney, Agent, or Firm* — Osha Liang LLP

(57) **CLAIM**

The ornamental design for headphone, as shown and described.

DESCRIPTION

FIG. 1 is a perspective view of front, right and top of a headphone showing my new design;

FIG. 2 is a front view thereof;

FIG. 3 is a rear view thereof;

FIG. 4 is a left side view thereof;

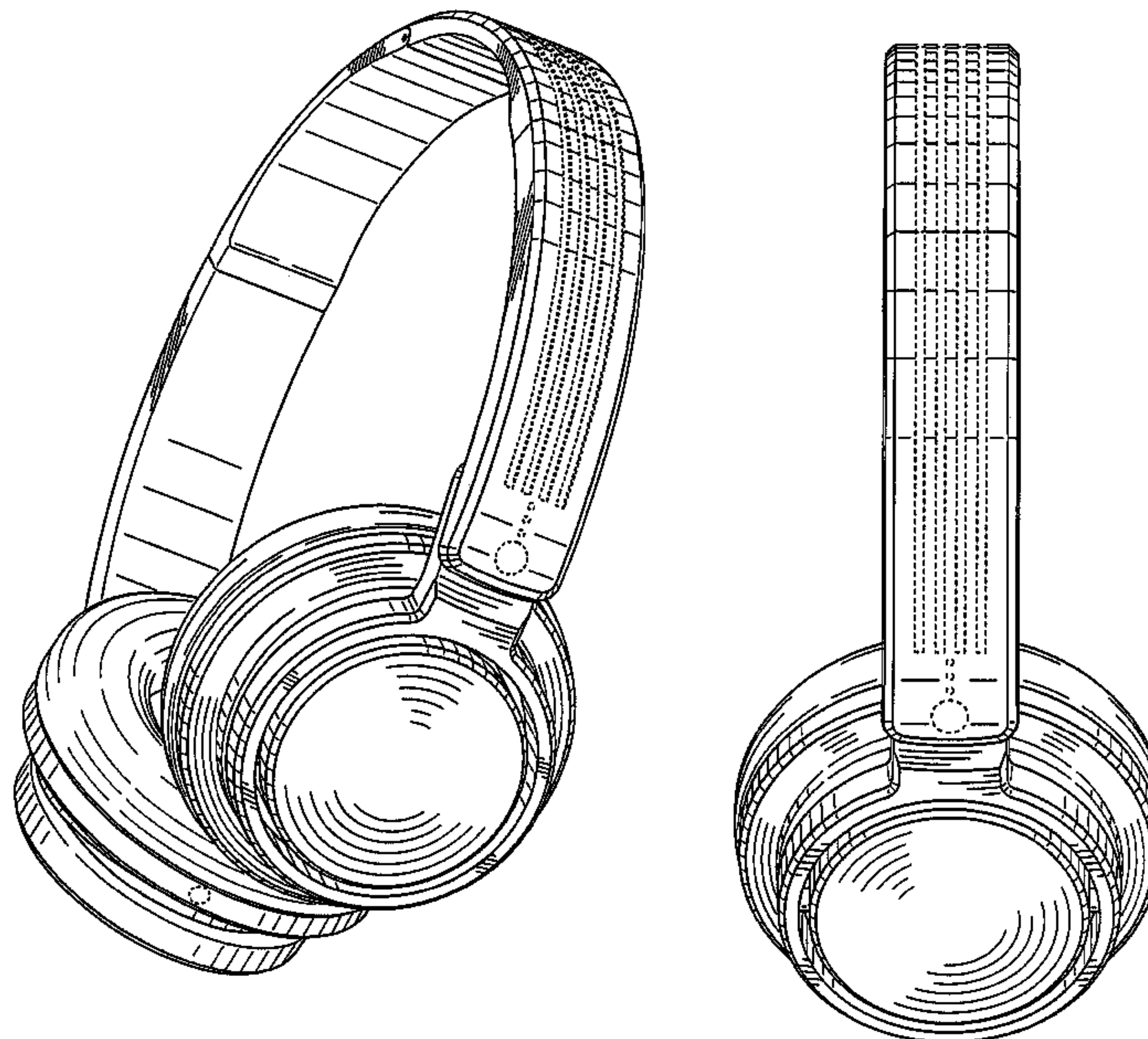
FIG. 5 is a right side view thereof;

FIG. 6 is a top view thereof, the central portion of the headphone ear cushions is flat and unornamented; and,

FIG. 7 is a bottom view thereof.

The broken lines showing of the headphone is included for the purpose of illustrating portions of the headphone and forms no part of the claimed design.

1 Claim, 5 Drawing Sheets



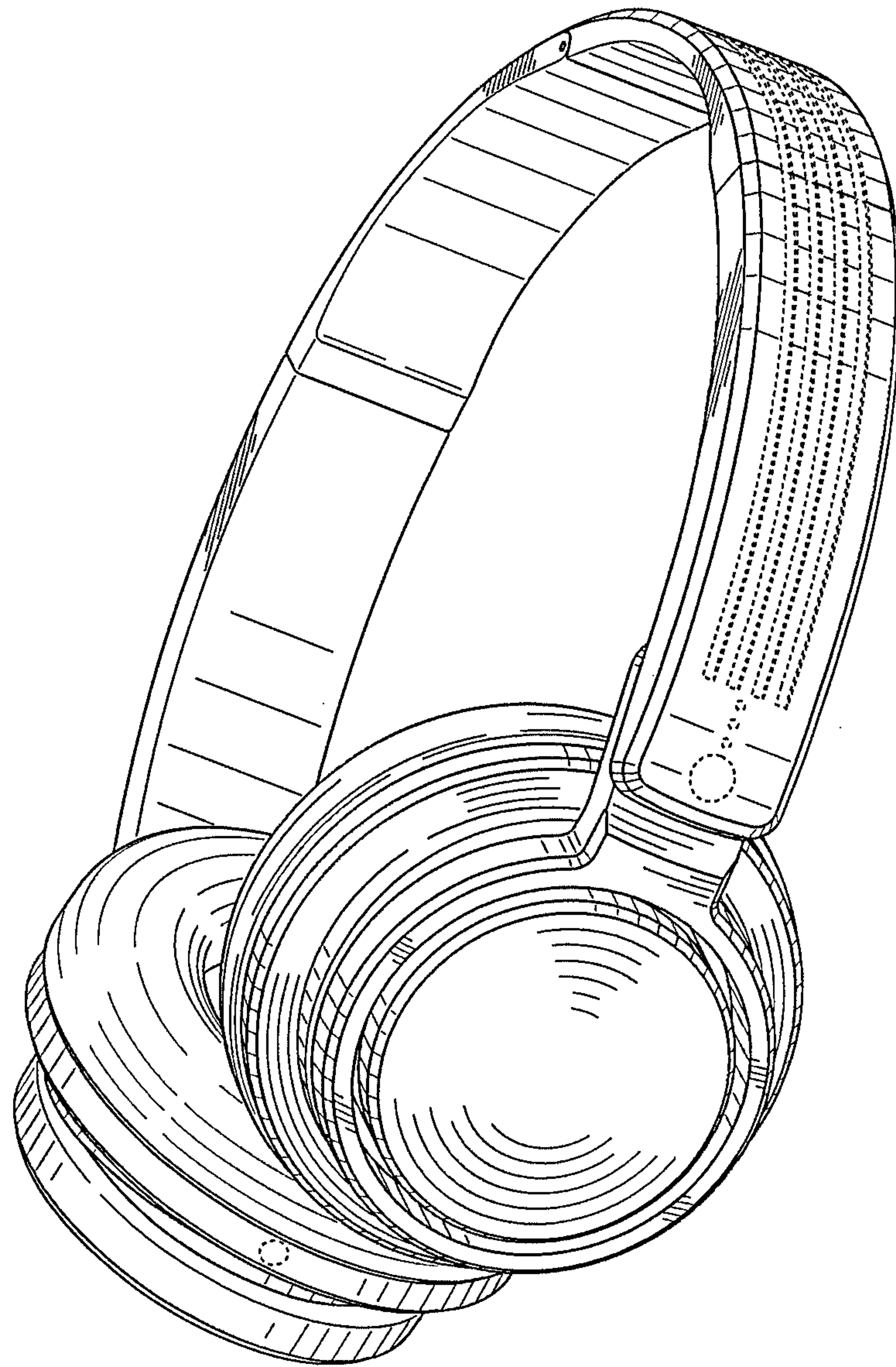


FIG. 1

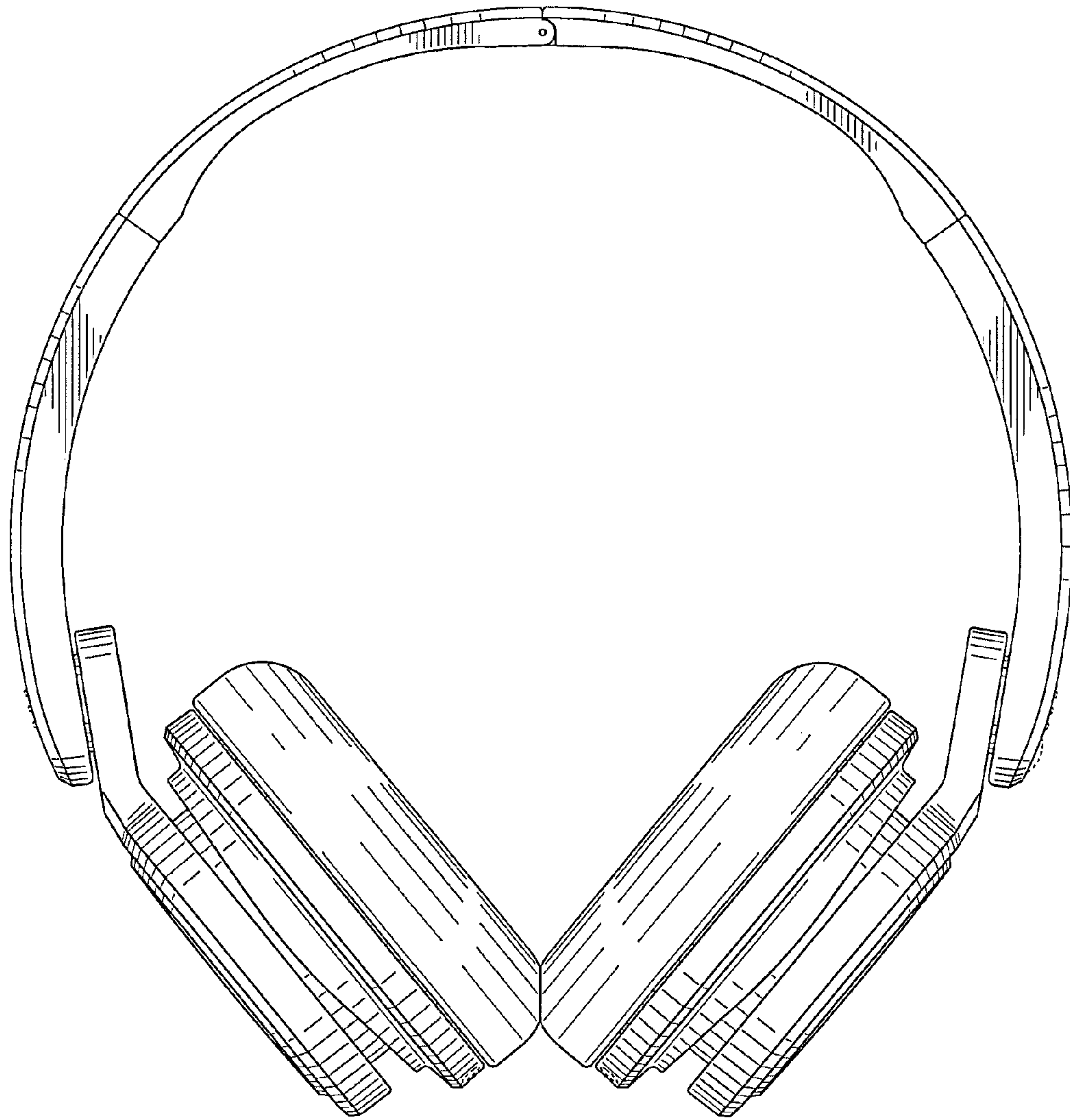


FIG. 2

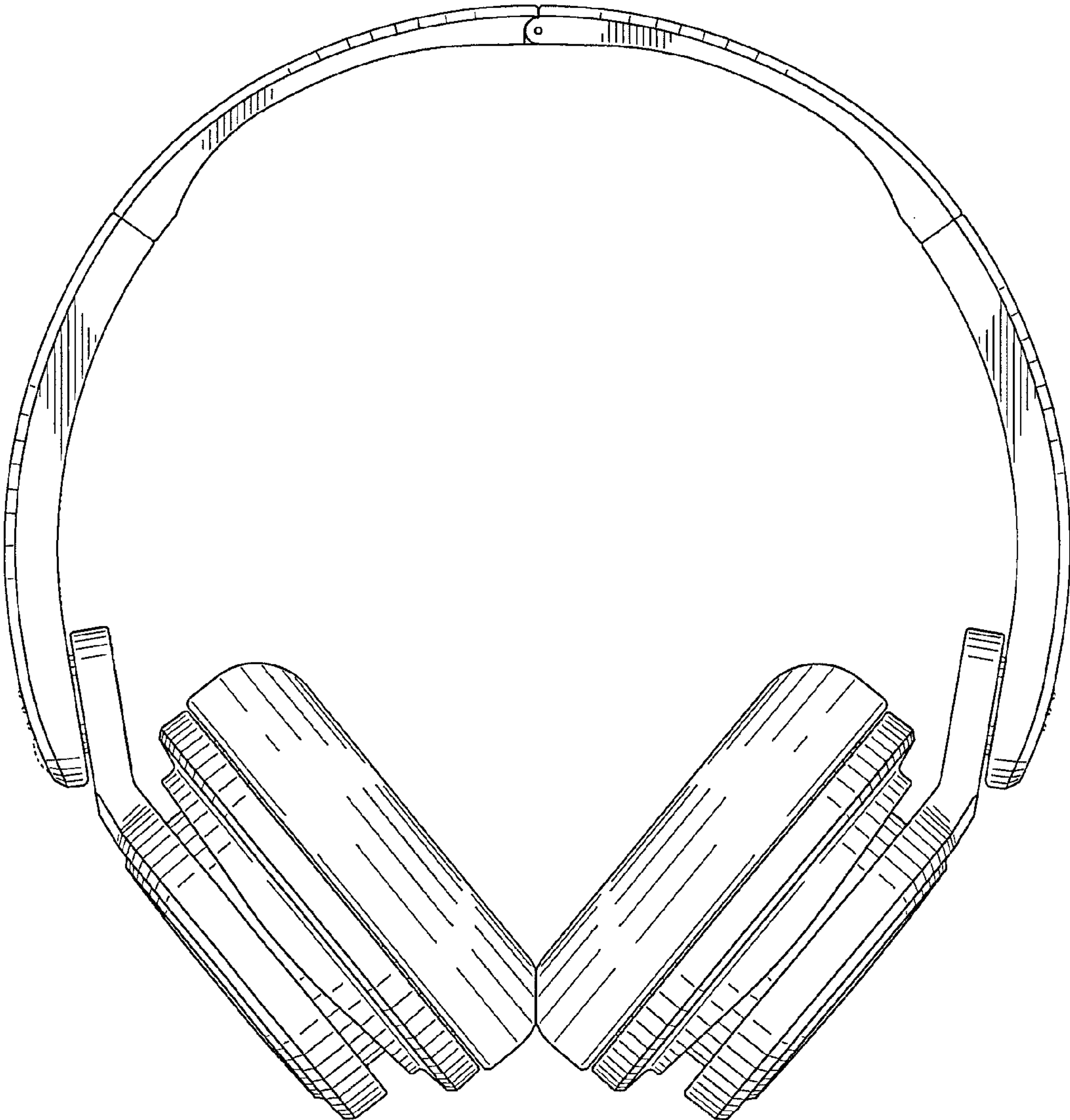


FIG. 3

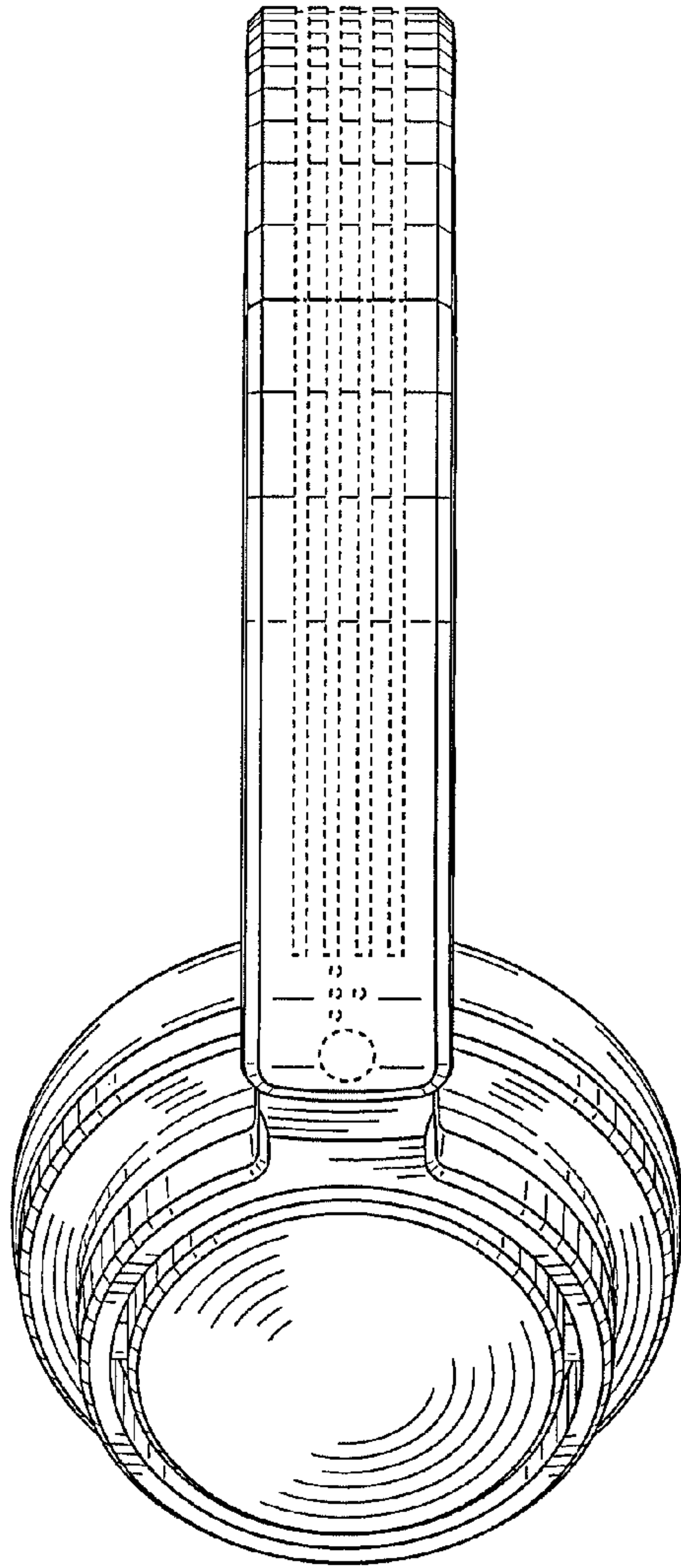


FIG. 4

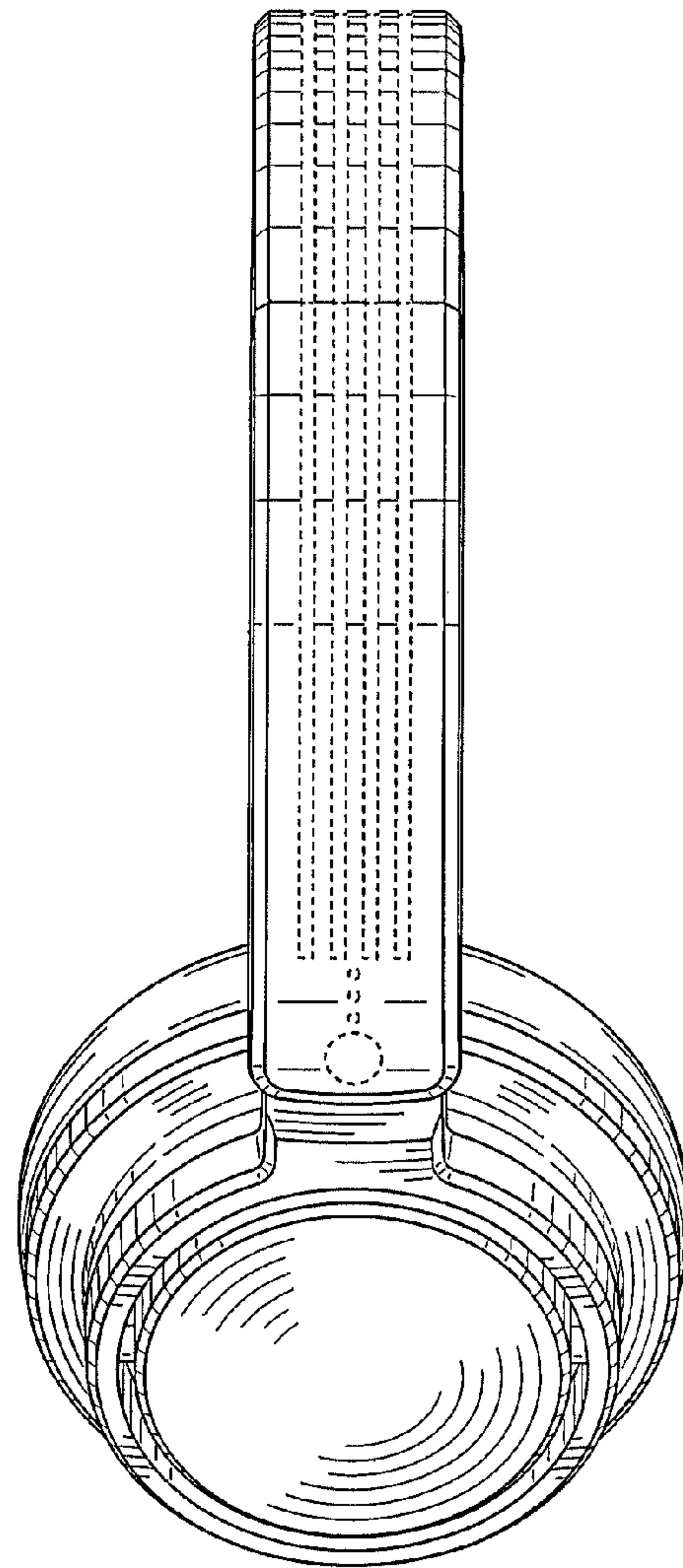


FIG. 5

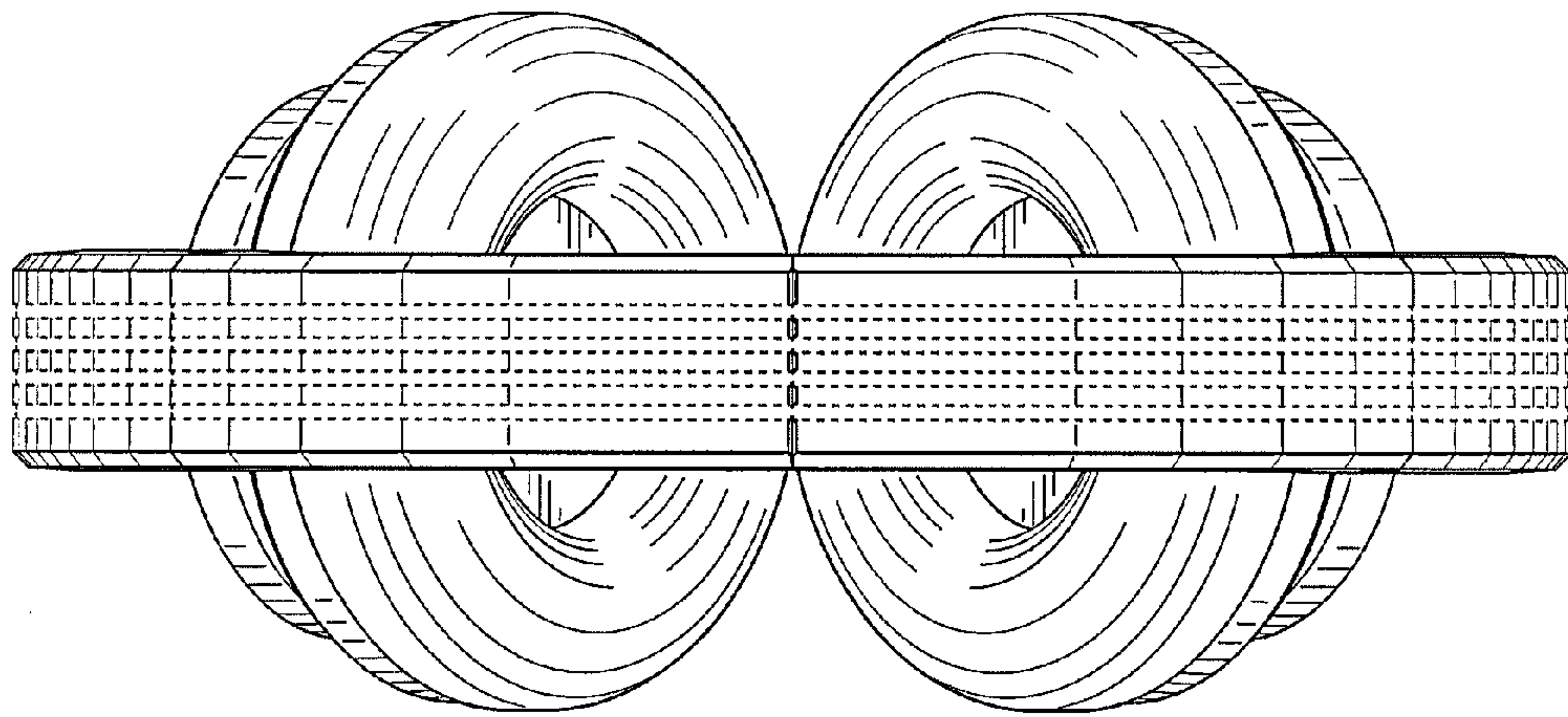


FIG. 6

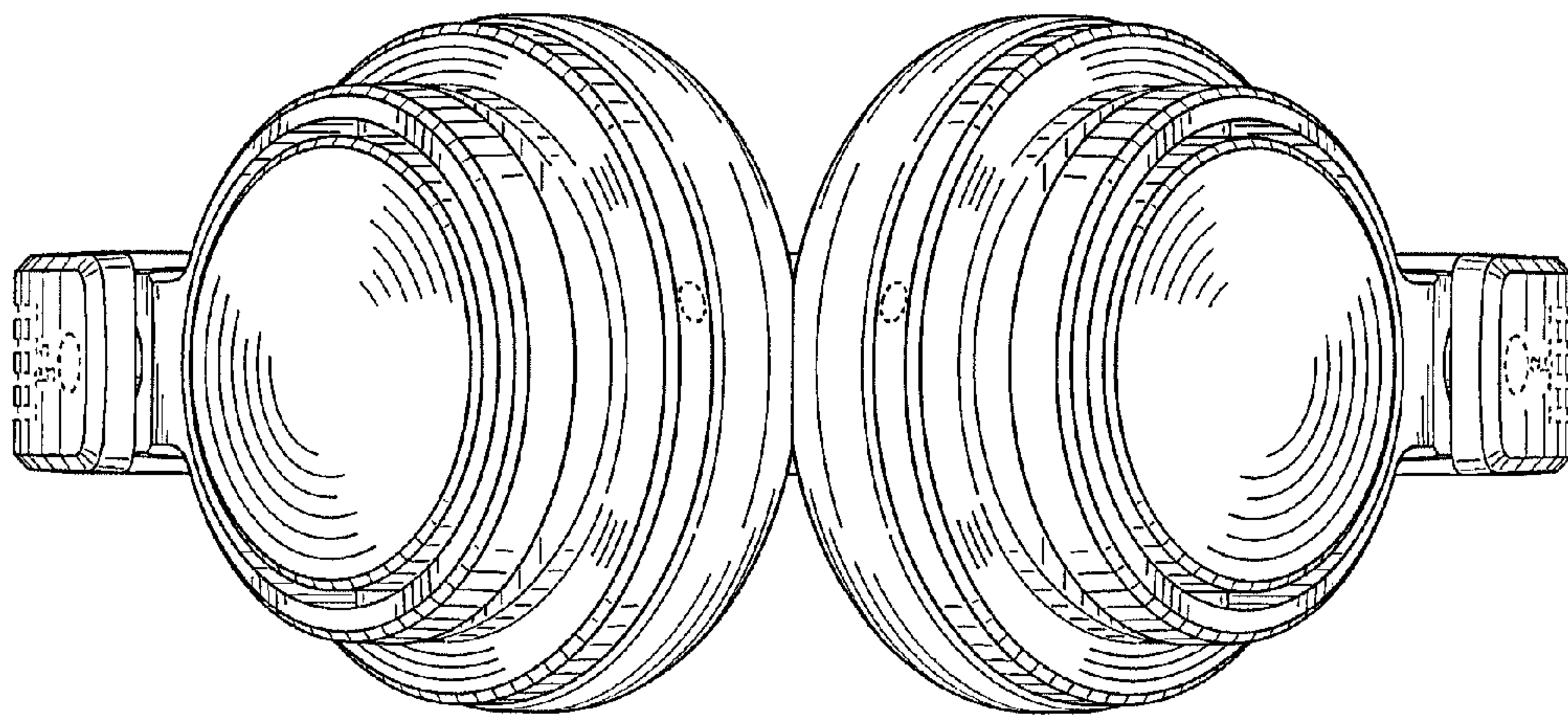


FIG. 7