



US00D686591S

(12) **United States Design Patent**
Garneau et al.

(10) **Patent No.:** **US D686,591 S**
(45) **Date of Patent:** **** Jul. 23, 2013**

- (54) **JUKEBOX**
- (75) Inventors: **Charles Garneau**, Bois-des-Filion (CA);
Ed Rivera, New York, NY (US); **Benoit Tessier**, Boisbriand (CA); **Michael Tooker**, Point Claire (CA)
- (73) Assignee: **TouchTunes Music Corporation**, New York, NY (US)
- (**) Term: **14 Years**
- (21) Appl. No.: **29/426,317**
- (22) Filed: **Jul. 3, 2012**

D356,079 S	3/1995	Oba	
5,704,146 A	1/1998	Herring et al.	
D390,843 S	2/1998	Rosen	
5,771,778 A *	6/1998	MacLean, IV	99/323.6
D397,335 S	8/1998	Matsushita	
D405,781 S	2/1999	Renk	
D405,791 S	2/1999	Menke et al.	
6,041,023 A	3/2000	Lakhansingh	
D426,527 S	6/2000	Sakaguchi	
6,079,985 A	6/2000	Wohl et al.	
D442,152 S	5/2001	Roustaei	
6,430,117 B2	8/2002	Zimmer	
D475,029 S	5/2003	Nathan et al.	
6,708,812 B2	3/2004	Greim	

(Continued)

Related U.S. Application Data

- (62) Division of application No. 29/371,255, filed on Dec. 14, 2010, now Pat. No. Des. 665,375.
- (51) **LOC (9) Cl.** **14-01**
- (52) **U.S. Cl.**
USPC **D14/173**
- (58) **Field of Classification Search**
USPC D14/496, 401, 435, 474, 483, 217,
D14/137, 138, 160, 168, 356, 203.1-203.8,
D14/507, 184, 173; 345/156, 169, 173-179,
345/905; 715/727-729, 864; 710/1, 5, 8; 713/1,
713/600; 455/1.1, 1.7, 73, 344-347, 93, 95,
455/3.01-3.06, 550.1, 573.1; 370/342-344;
369/1, 2, 6-12; 463/43-47; 273/148 B
See application file for complete search history.

References Cited

U.S. PATENT DOCUMENTS

D197,669 S *	3/1964	Kenney et al.	D14/174
D220,807 S *	5/1971	Sunderberg	D14/174
4,336,935 A *	6/1982	Goldfarb	273/460
5,031,340 A *	7/1991	Hilgarth	36/117.1
D355,676 S	2/1995	Wilson	

OTHER PUBLICATIONS

Design U.S. Appl. No. 29/371,255, filed Dec. 14, 2010; Garneau et al.

Primary Examiner — Prabhakar Deshmukh

(74) *Attorney, Agent, or Firm* — Nixon & Vanderhye PC

(57) **CLAIM**

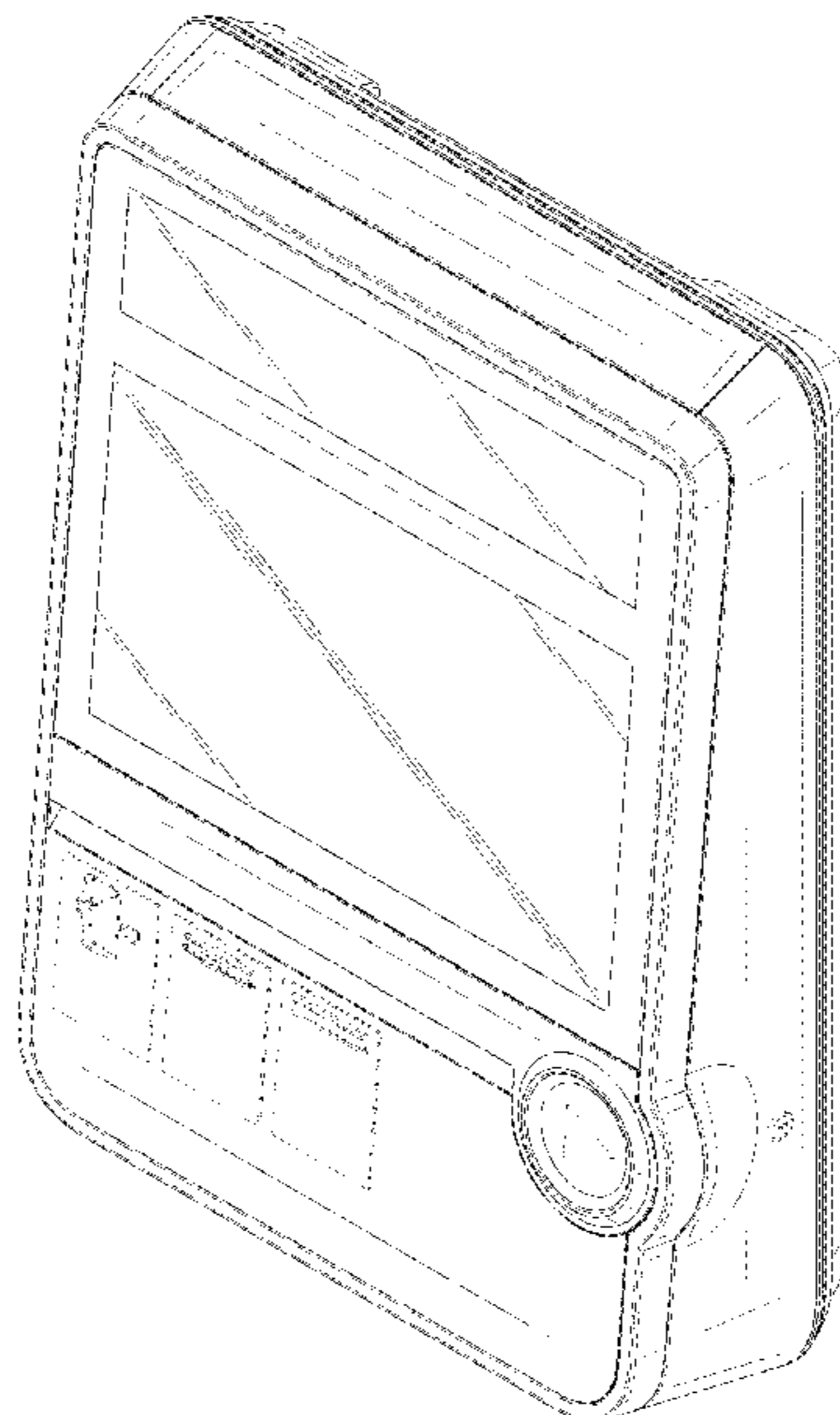
The ornamental design for a “jukebox,” as shown and described.

DESCRIPTION

FIG. 1 is a front perspective view of a jukebox in accordance with an embodiment of our design;
 FIG. 2 is a front elevation view thereof;
 FIG. 3 is a rear elevation view thereof;
 FIG. 4 is a right side view thereof;
 FIG. 5 is a left side view thereof;
 FIG. 6 is a top plan view thereof; and,
 FIG. 7 is a bottom plan view thereof.

The dashed lines shown in FIGS. 1-7 represent environmental structure and form no part of the claimed design. Some views of the jukebox portions are not shown and represent unclaimed subject matter.

1 Claim, 6 Drawing Sheets



US D686,591 S

Page 2

U.S. PATENT DOCUMENTS

6,714,489 B2 3/2004 Kalis et al.
D494,188 S 8/2004 Huang
6,779,904 B1 8/2004 Van Dyk
6,846,238 B2 1/2005 Wells

D510,584 S 10/2005 Tierney
D616,414 S 5/2010 Nathan et al.
D629,382 S 12/2010 Nathan et al.

* cited by examiner

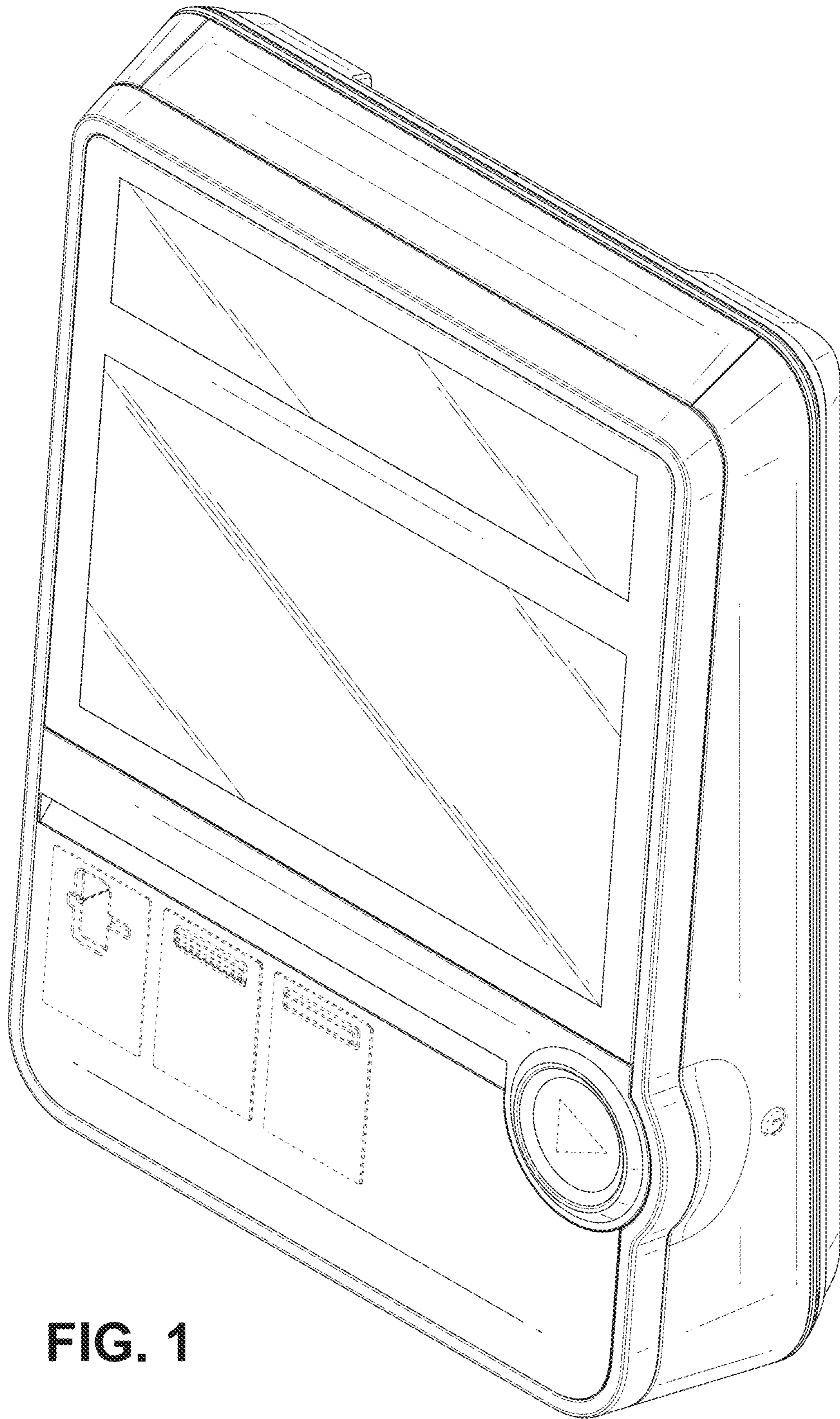


FIG. 1

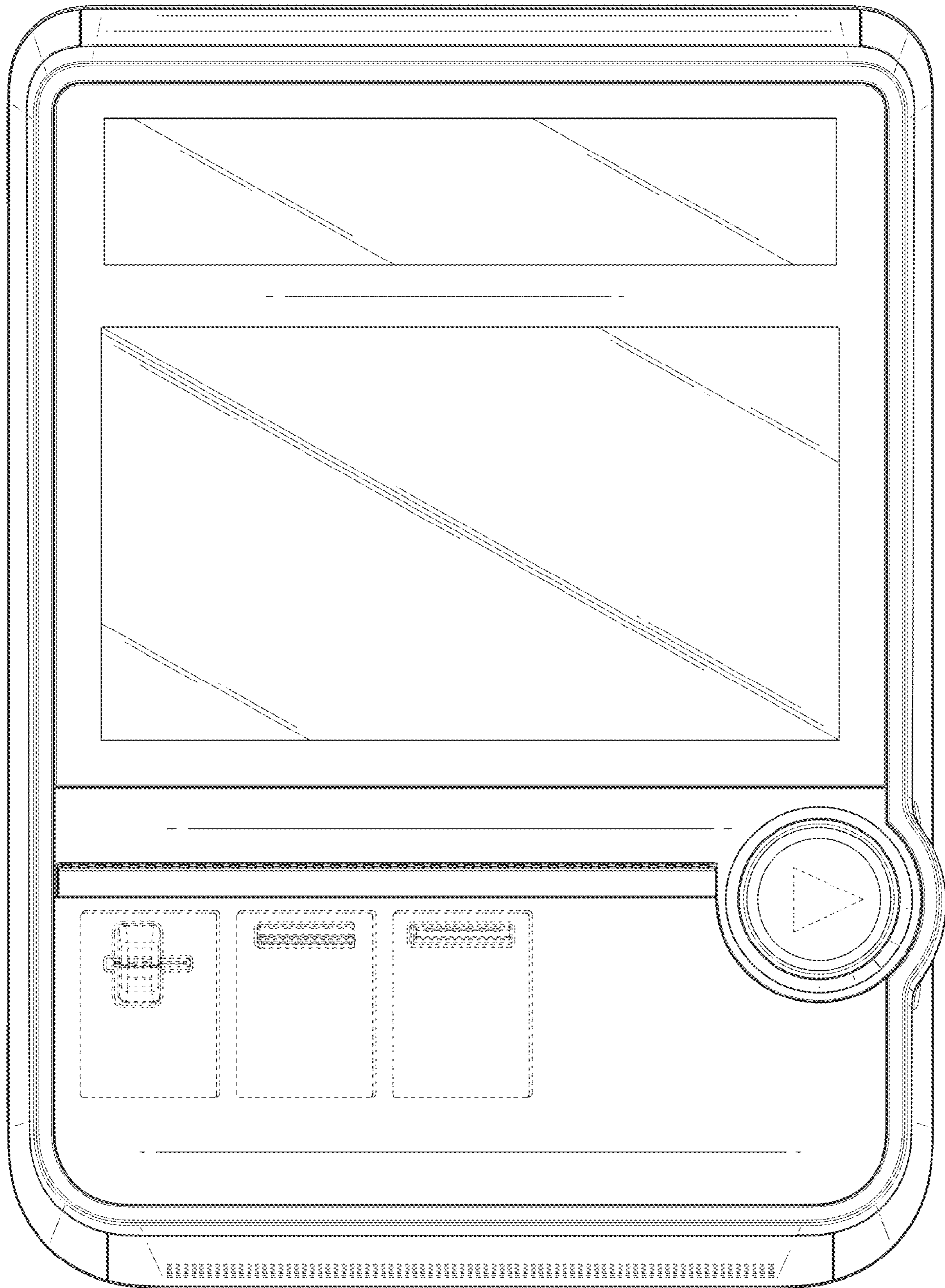


FIG. 2

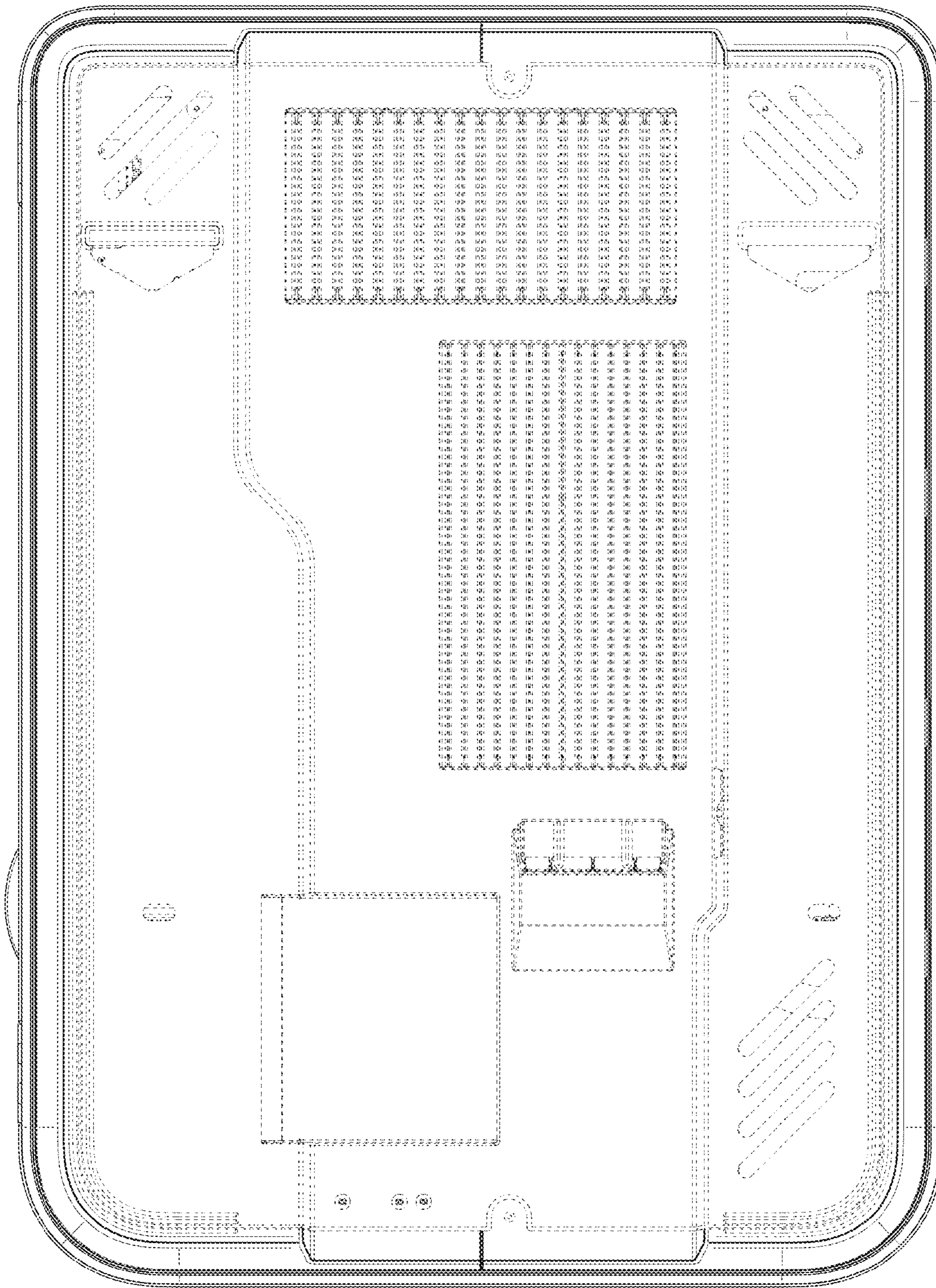


FIG. 3

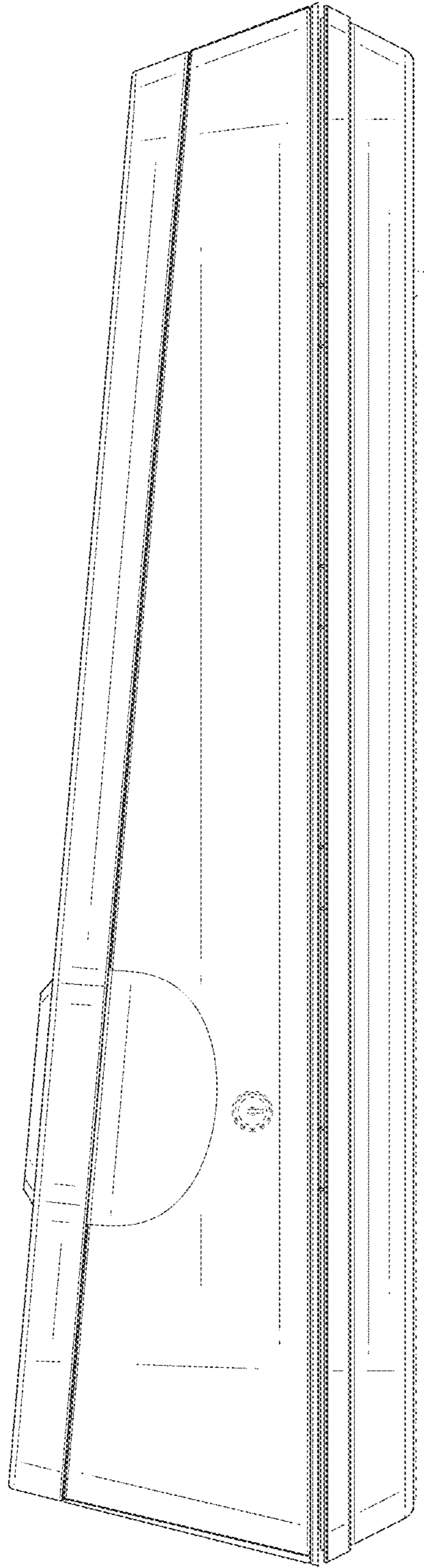


FIG. 4

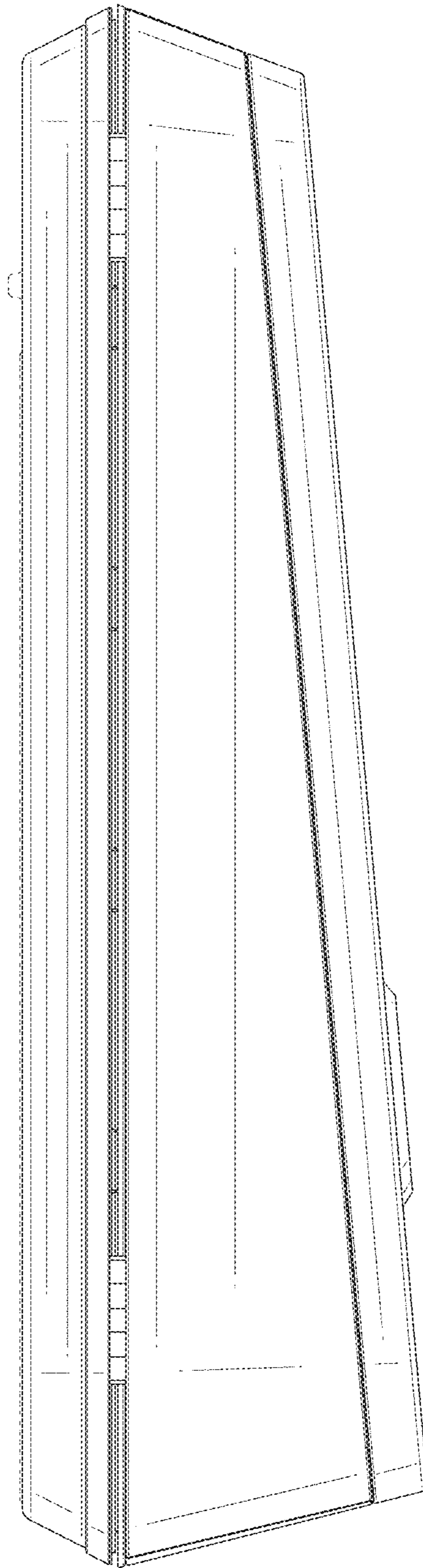


FIG. 5

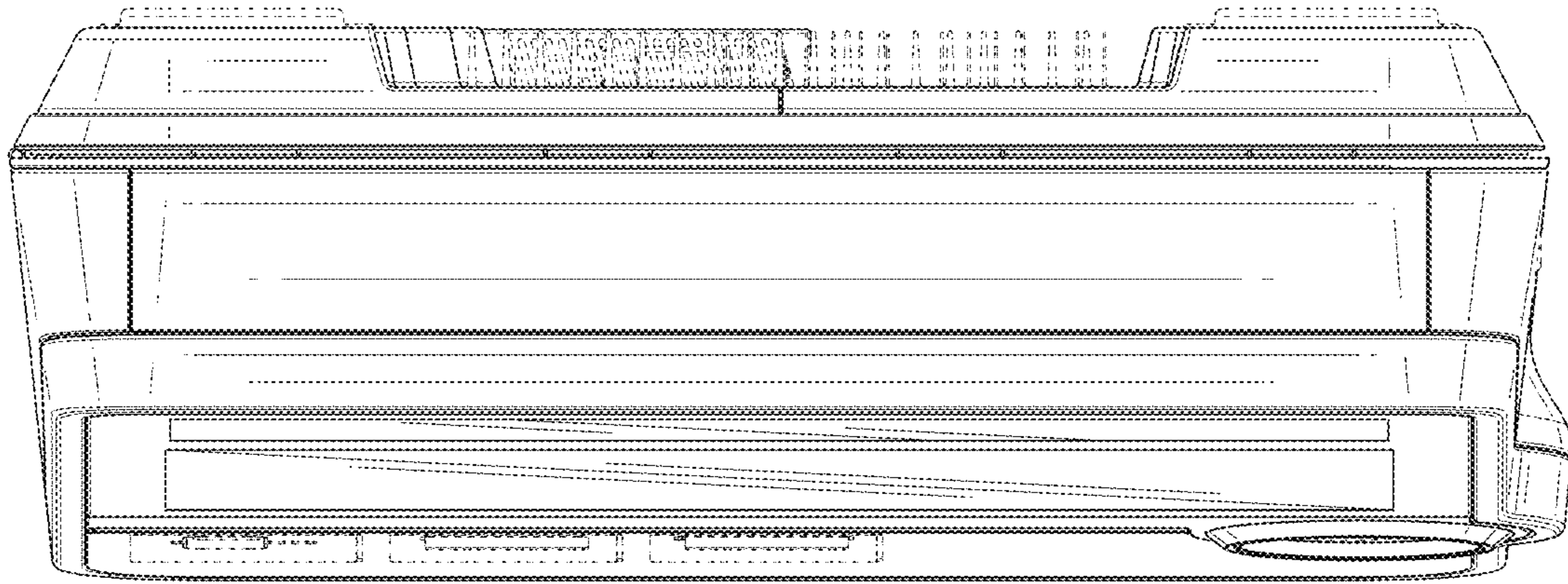


FIG. 6

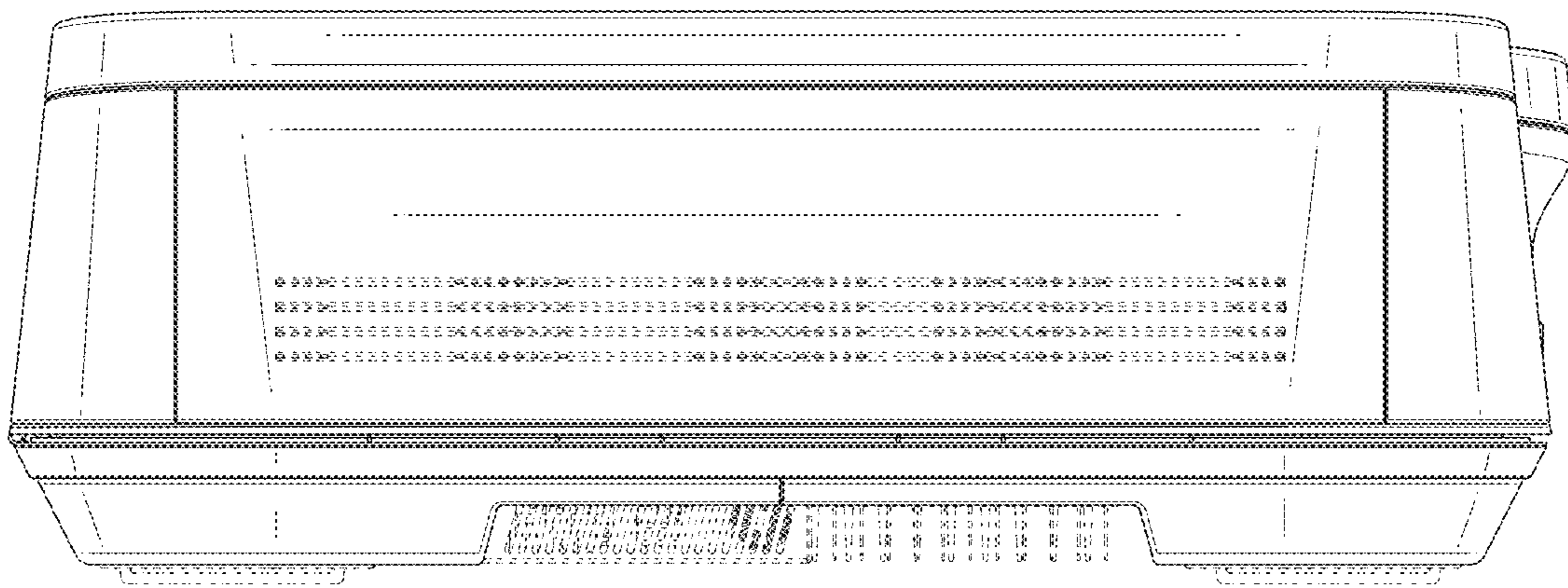


FIG. 7