



US00D686584S

(12) **United States Design Patent**
Yoo et al.

(10) **Patent No.:** **US D686,584 S**
(45) **Date of Patent:** **** Jul. 23, 2013**

(54) **TELEVISION RECEIVER**

(71) Applicant: **LG Electronics Inc.**, Seoul (KR)
(72) Inventors: **Sehdong Yoo**, Gyeonggi-do (KR);
Yunhwan Sung, Seoul (KR); **Jason Kline**, Middlesex (GB); **Mark Jones**, West Sussex (GB); **James Milne**, London (GB); **Sunggu Joe**, Seoul (KR)

(73) Assignee: **LG Electronics Inc.**, Seoul (KR)

(**) Term: **14 Years**

(21) Appl. No.: **29/443,321**

(22) Filed: **Jan. 16, 2013**

(30) **Foreign Application Priority Data**

Jul. 16, 2012 (KR) 30-2012-0034446

(51) **LOC (9) Cl.** **14-03**

(52) **U.S. Cl.**
USPC **D14/126**

(58) **Field of Classification Search**
USPC D14/125-134, 239, 371, 136, 374-377, D14/440, 450, 448, 336, 342, 159; 312/7.2; 348/836, 838, 180, 184, 325, 739; 341/12; 248/917-924, 465; 345/104, 133, 156, 168, 345/87, 173; 720/605, 669, 600, 655; 369/99, 369/197; D21/329, 515, 577, 622, 333, 433, D21/448, 452, 450, 331; D6/477, 479, 300; 273/148 B; 446/484, 175, 356; D10/15, 26

See application file for complete search history.

(56) **References Cited**

U.S. PATENT DOCUMENTS

D661,269	S	*	6/2012	Lee et al.	D14/126
D661,272	S	*	6/2012	Kim et al.	D14/126
D663,705	S	*	7/2012	Park et al.	D14/126
D663,706	S	*	7/2012	Cha et al.	D14/126
D671,513	S	*	11/2012	Jang et al.	D14/126
D678,853	S	*	3/2013	Kim et al.	D14/126

* cited by examiner

Primary Examiner — Raphael Barkai

(74) *Attorney, Agent, or Firm* — Morgan, Lewis & Bockius LLP

(57) **CLAIM**

The ornamental design for a television receiver, as shown and described.

DESCRIPTION

FIG. 1 is a perspective view of a television receiver showing our new design;
FIG. 2 is a front view thereof;
FIG. 3 is a rear view thereof;
FIG. 4 is a left side view thereof;
FIG. 5 is a right side view thereof;
FIG. 6 is a top plan view thereof;
FIG. 7 is a bottom plan view thereof; and,
FIG. 8 is a rear perspective view thereof.

1 Claim, 7 Drawing Sheets

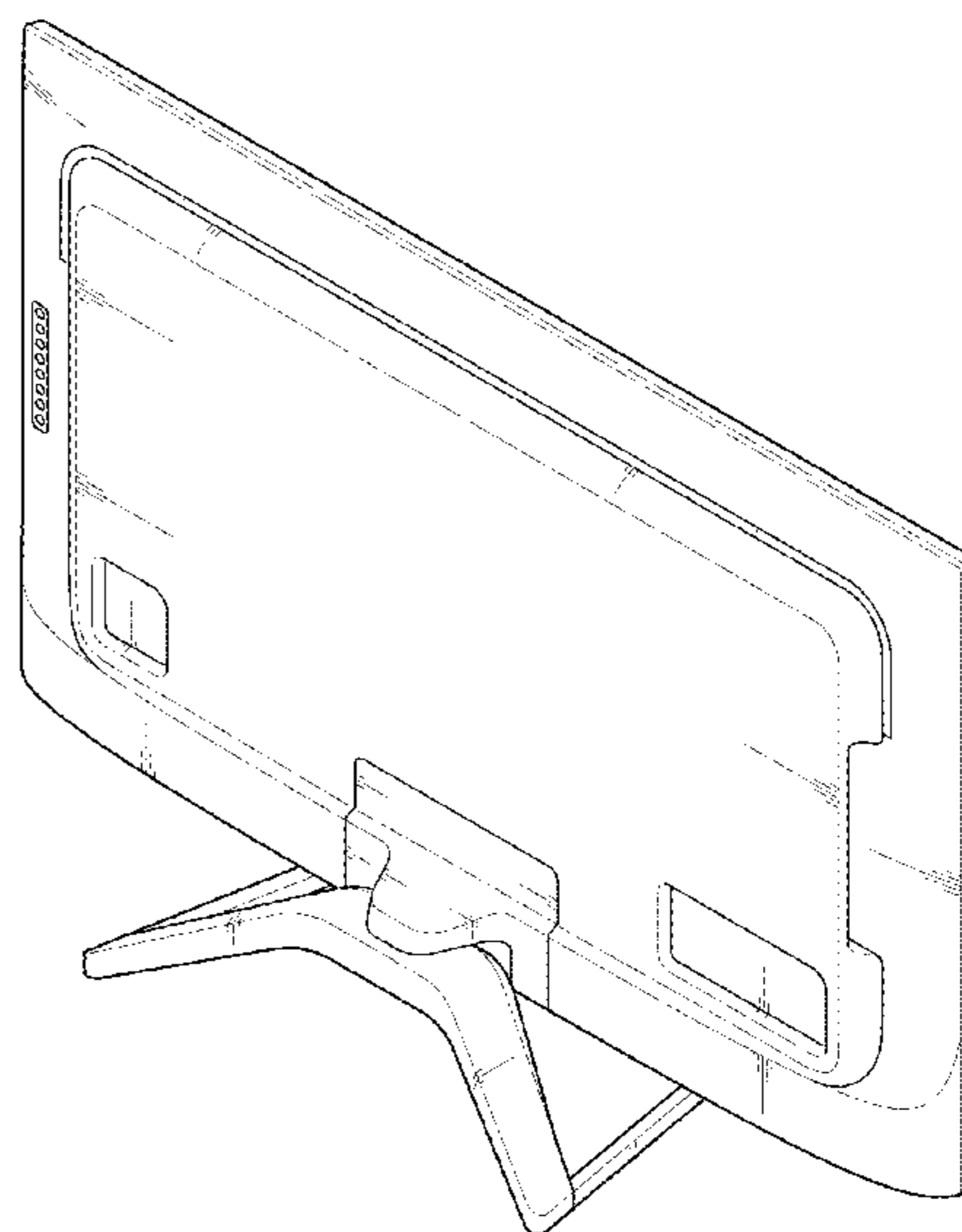
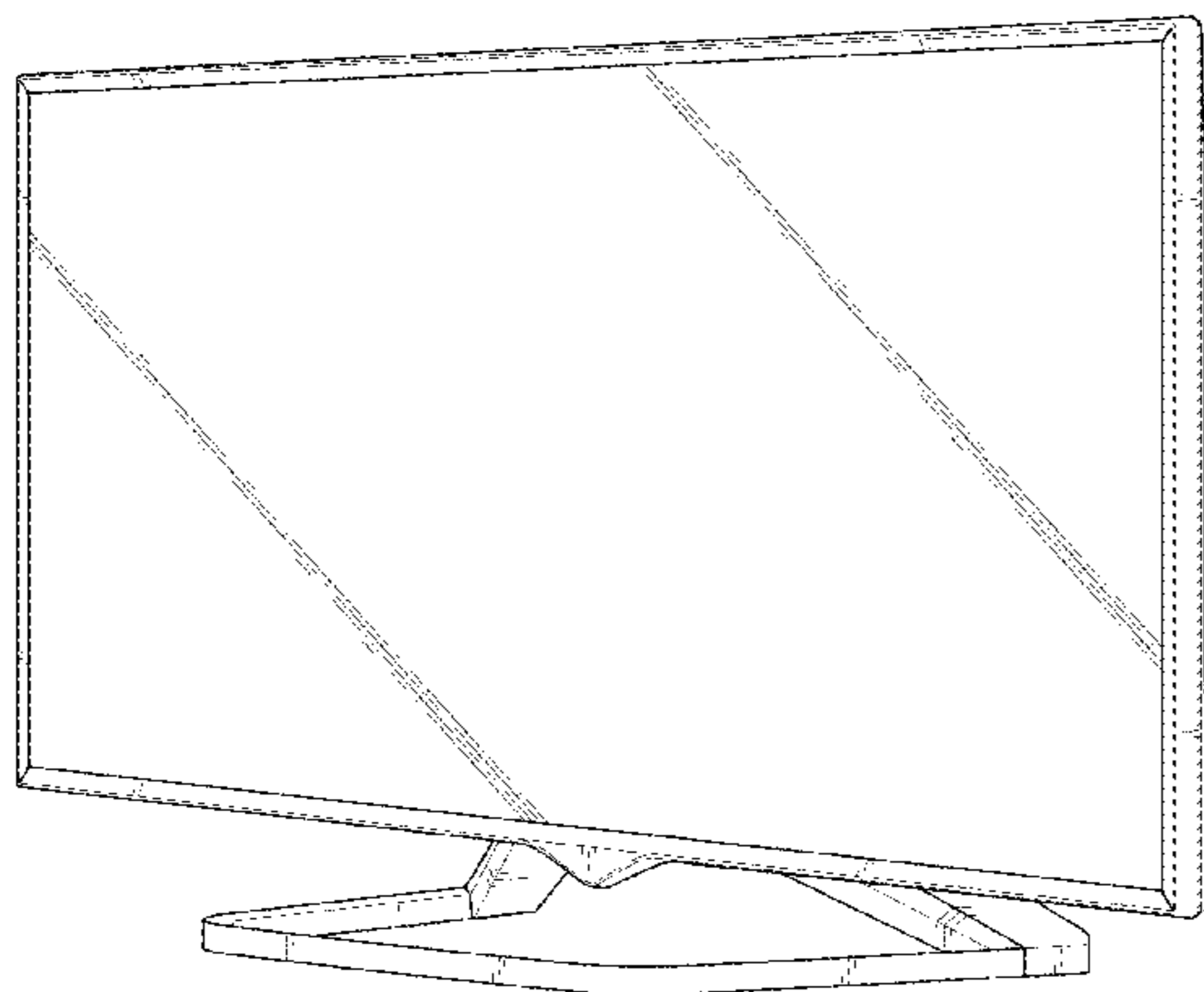


FIG. 1

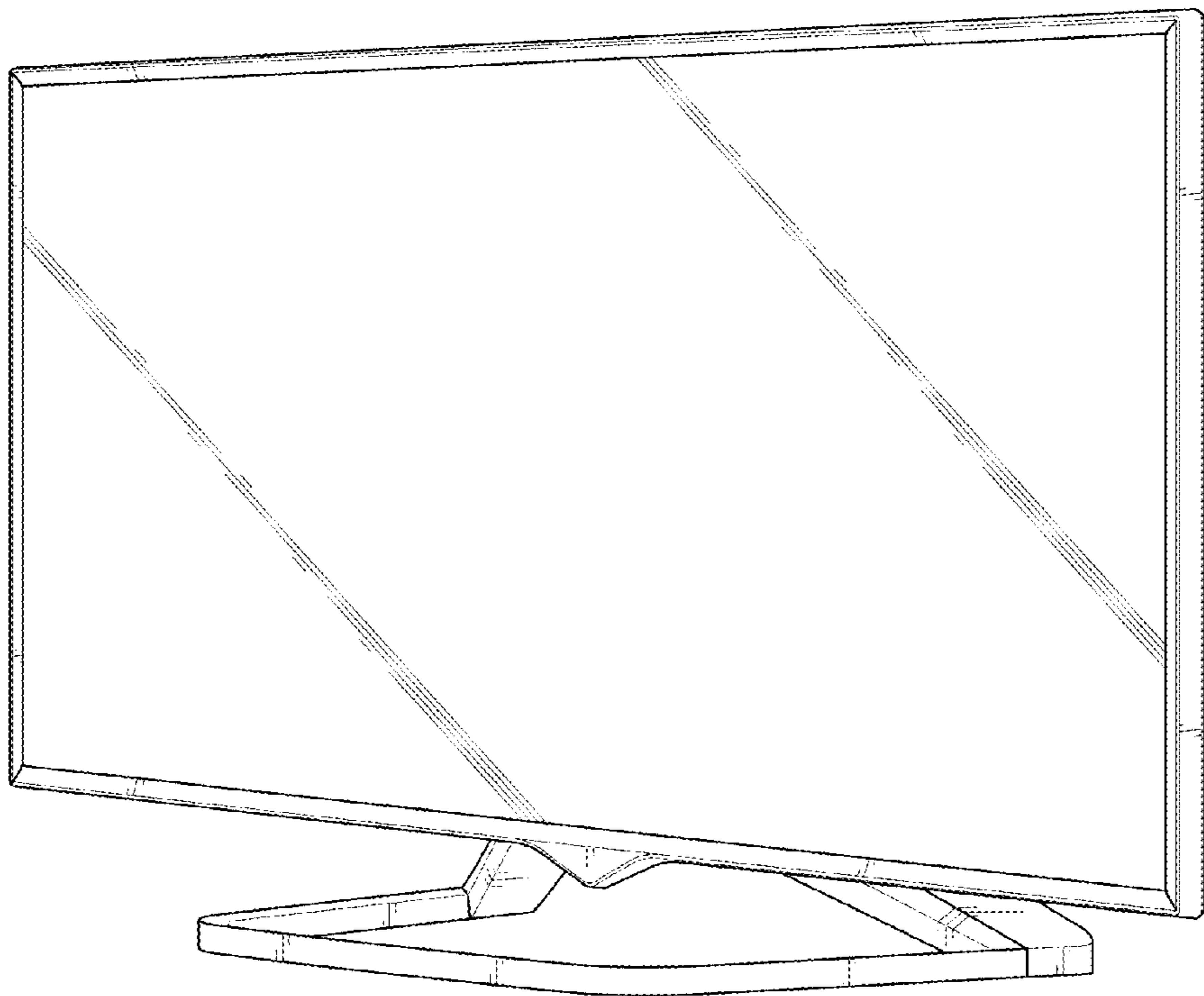


FIG. 2

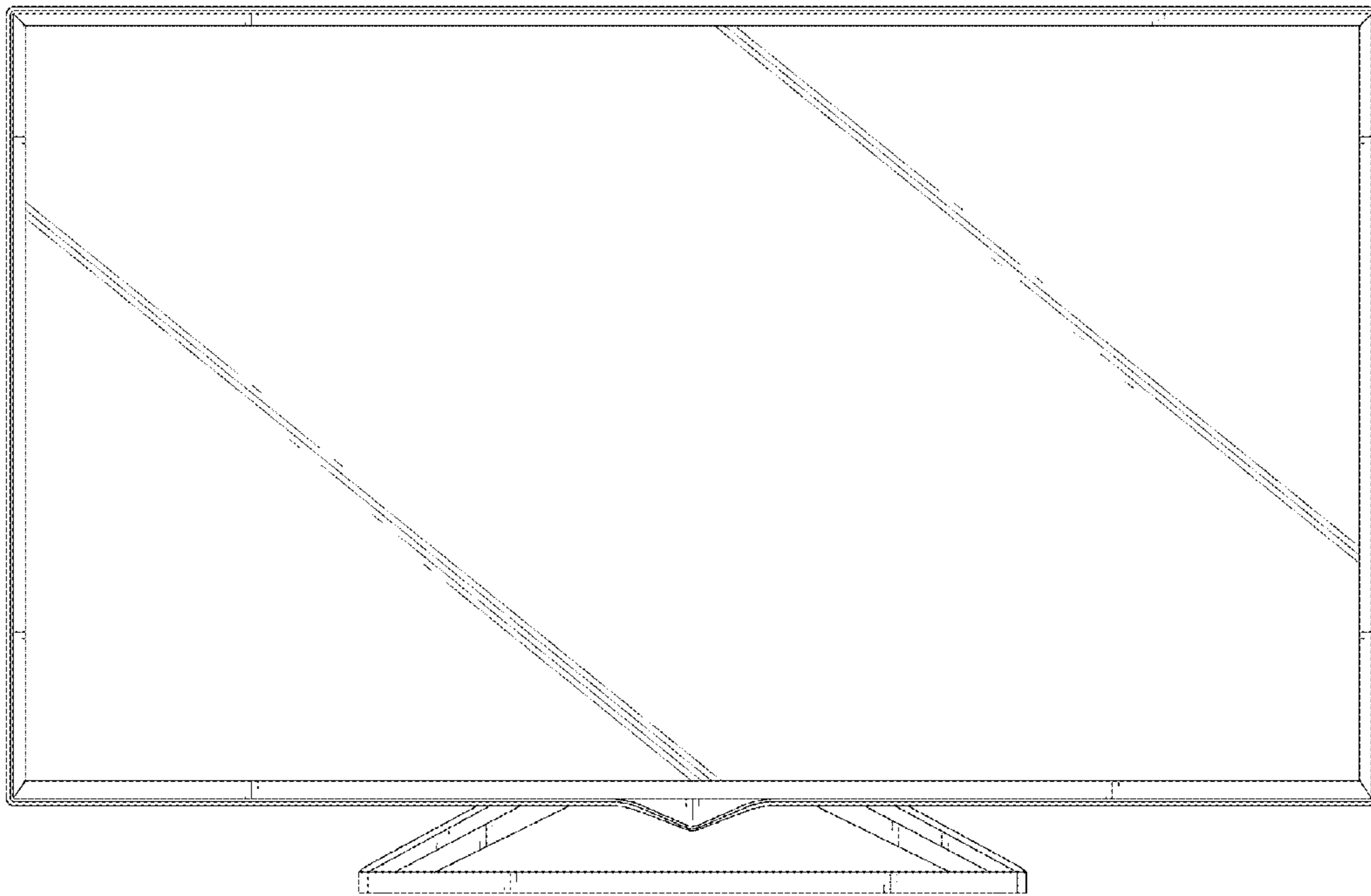


FIG. 3

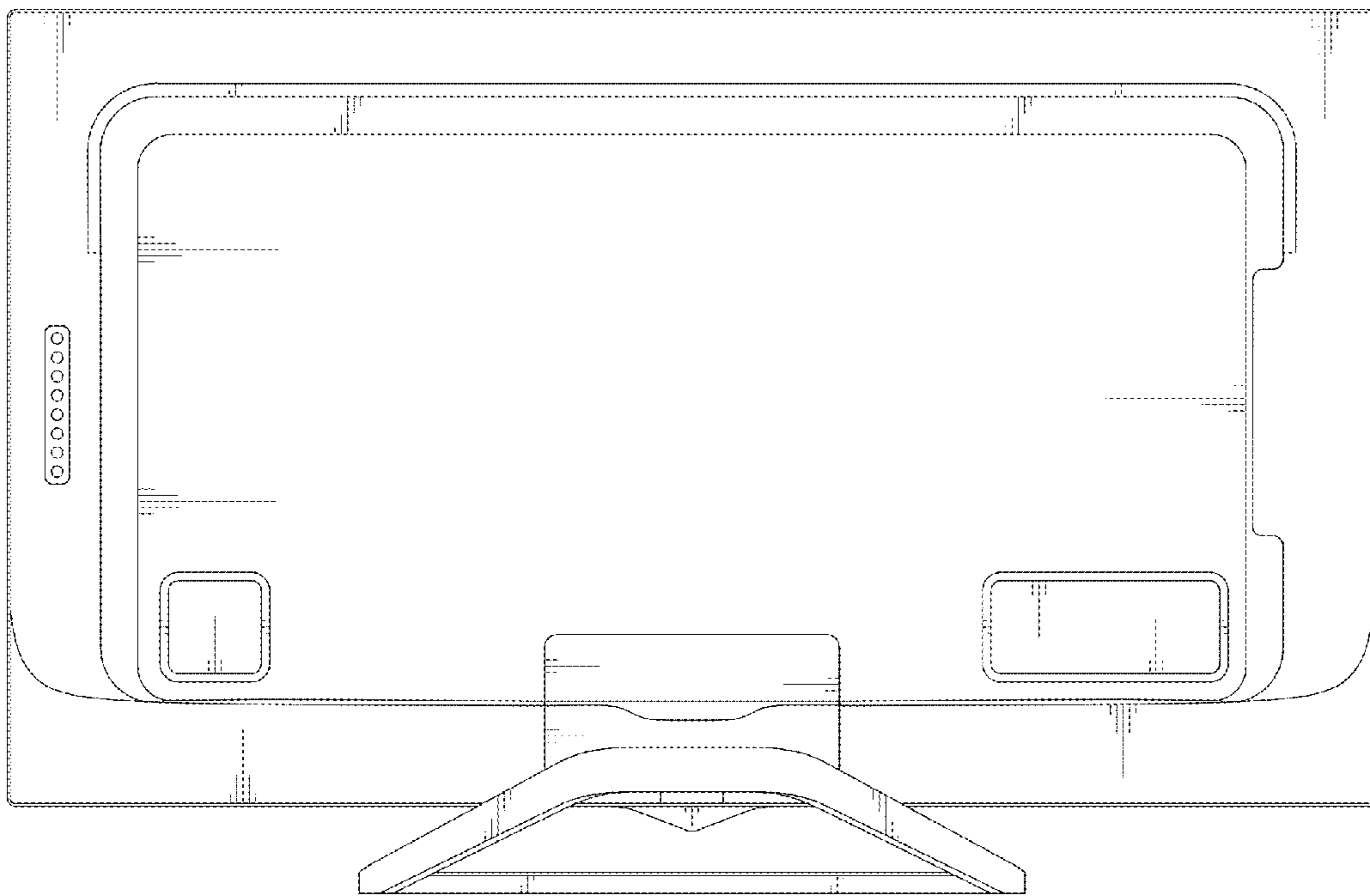


FIG. 4

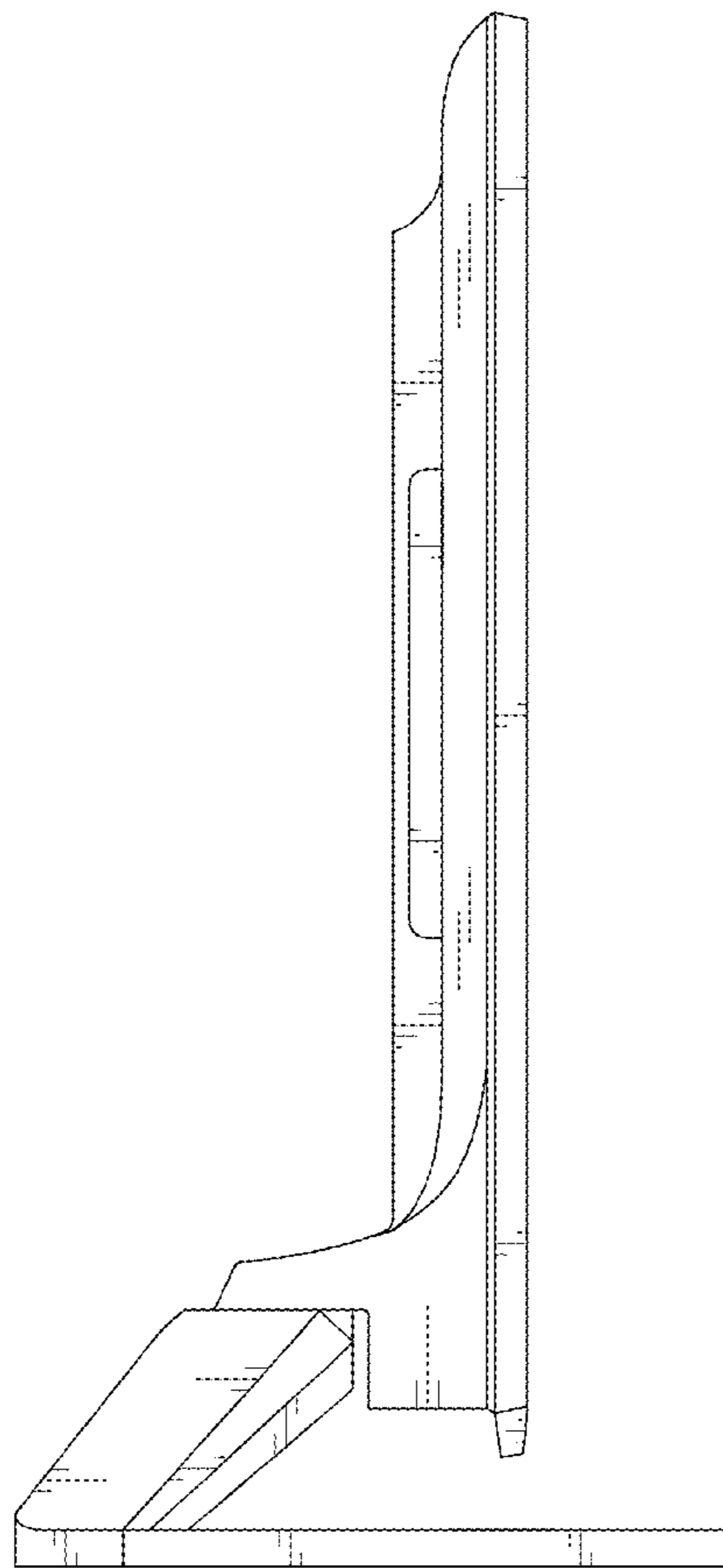


FIG. 5

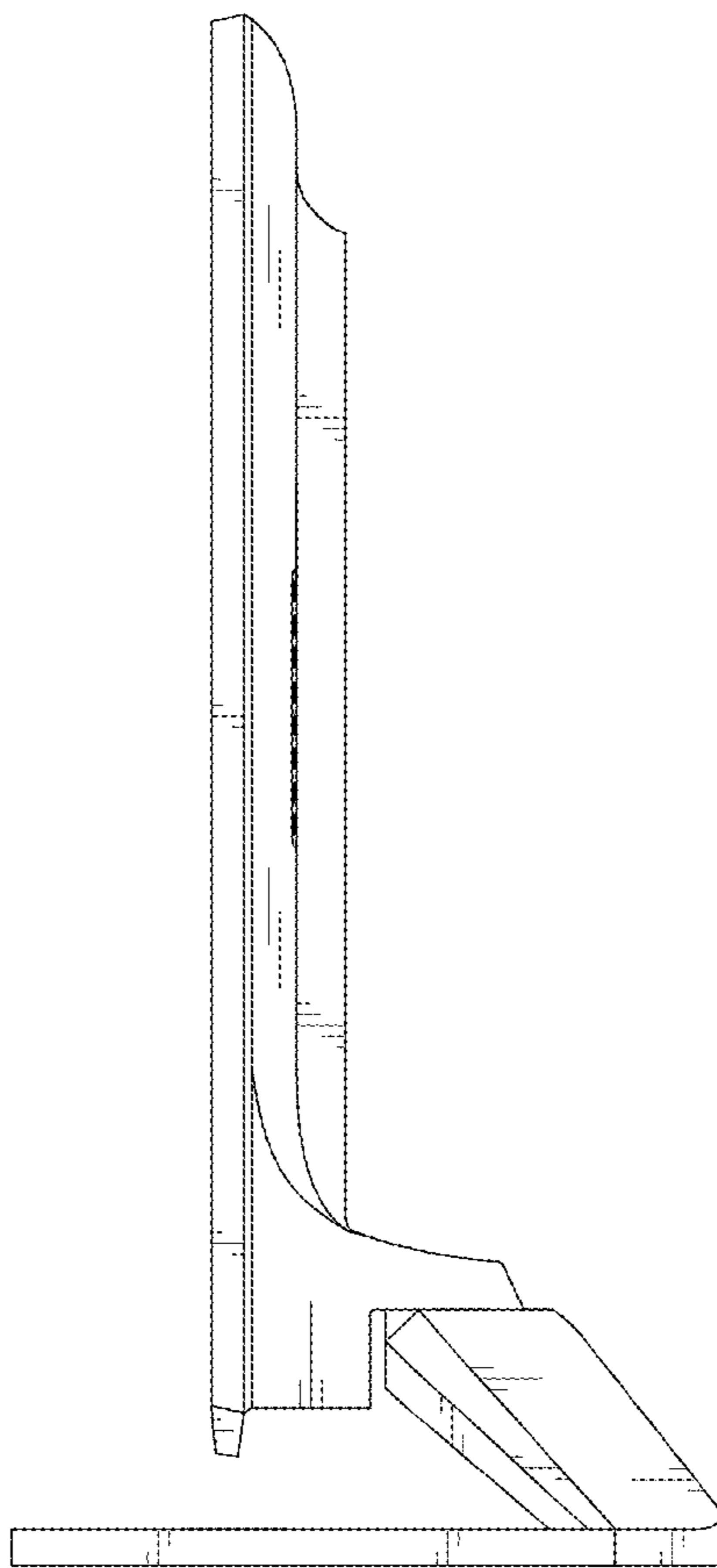


FIG. 6

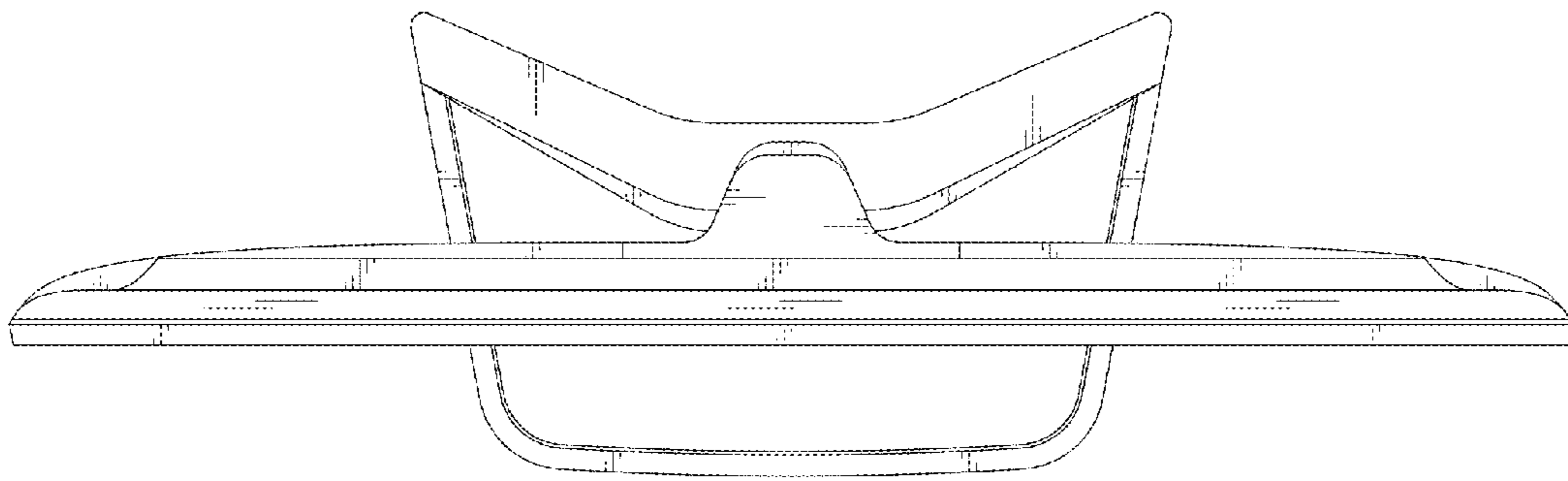


FIG. 7

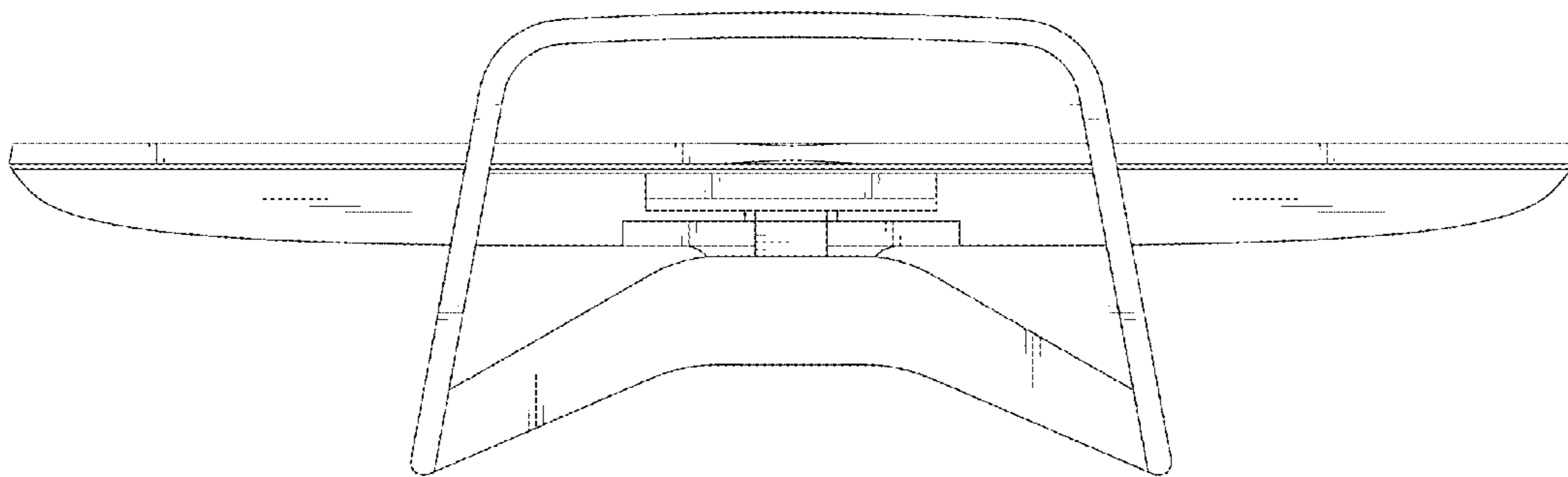


FIG. 8

