

US00D686580S

(12) **United States Design Patent**  
**Woodlief**

(10) **Patent No.:** **US D686,580 S**

(45) **Date of Patent:** **\*\* Jul. 23, 2013**

(54) **CAM MEMBER**

(75) **Inventor:** **Wallace Sanford Woodlief**, Houston, TX (US)

(73) **Assignee:** **Enduro Composites, Inc.**, Houston, TX (US)

(\*\*) **Term:** **14 Years**

(21) **Appl. No.:** **29/416,026**

(22) **Filed:** **Mar. 16, 2012**

(51) **LOC (9) Cl.** ..... **13-03**

(52) **U.S. Cl.**  
USPC ..... **D13/155**

(58) **Field of Classification Search**

USPC ..... D13/133, 149, 151, 153, 154, 155, D13/156, 158, 170, 184, 199; D8/339, 342, D8/343, 344, 349, 354, 364, 366, 376, 377, D8/380, 381; D25/48.2, 119, 120, 121, 123, D25/126, 13, 132, 133, 136, 164; 439/110, 439/115, 116, 119, 120, 121, 122, 207, 209, 439/210, 211; 174/68.2, 74.3, 74.4, 74.2, 174/95, 97, 99 B, 101, 365; 248/55, 65, 67.5, 248/73; 52/653.1

See application file for complete search history.

(56) **References Cited**

**U.S. PATENT DOCUMENTS**

282,180 A \* 7/1883 Erb ..... 256/22  
D51,607 S \* 12/1917 Pickop ..... D13/199  
D134,792 S \* 1/1943 Beil ..... D25/48.2  
D244,465 S \* 5/1977 Stoneman ..... D13/139.4

4,695,019 A 9/1987 Lindberg et al.  
D324,920 S \* 3/1992 Miller et al. .... D25/126  
D529,629 S \* 10/2006 Zarb ..... D25/119  
D573,101 S \* 7/2008 Ng et al. .... D13/153  
D609,823 S \* 2/2010 Holman ..... D25/121

**FOREIGN PATENT DOCUMENTS**

ES 209715 3/1995  
FR 2395449 1/1979  
WO 2006125907 A2 11/2006

**OTHER PUBLICATIONS**

Cope-glas™, Fiberglass Cable Tray Product Catalog (2007), retrieved from www.simrep.com/copeglas.pdf.

\* cited by examiner

*Primary Examiner* — Derrick Holland

*Assistant Examiner* — Lauren Calve

(74) *Attorney, Agent, or Firm* — Bracewell & Giuliani LLP

(57) **CLAIM**

I claim the ornamental design for a cam member, as shown and described.

**DESCRIPTION**

FIG. 1 is a perspective view of a cam member of my invention;

FIG. 2 is a front elevation view of the cam member of FIG. 1;

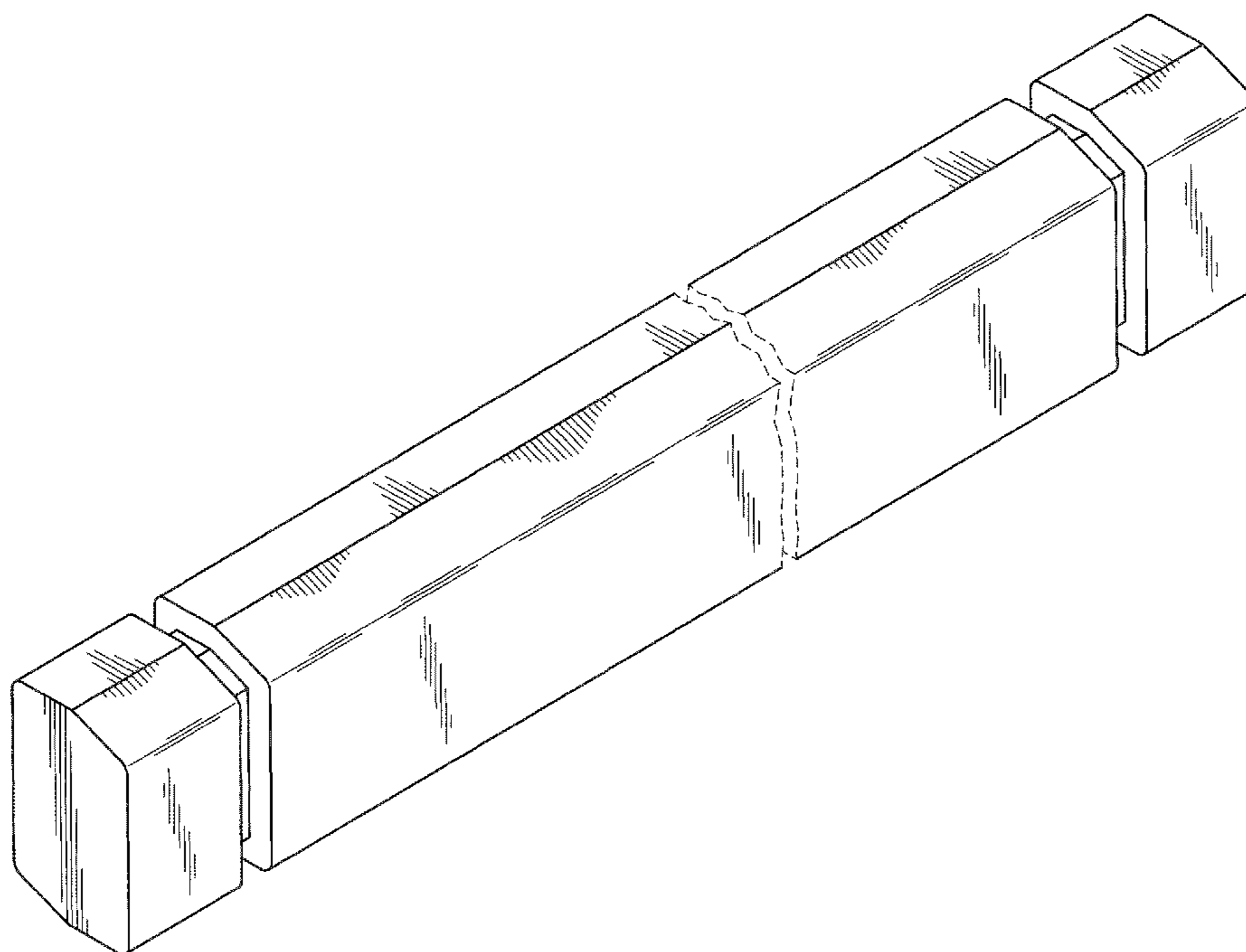
FIG. 3 is rear elevation view of the cam member of FIG. 1;

FIG. 4 is a top plan view of the cam member of FIG. 1; and,

FIG. 5 is a side-elevation view of the cam member of FIG. 1.

The broken lines shown represent indeterminate length and form no part of the claimed design.

**1 Claim, 2 Drawing Sheets**



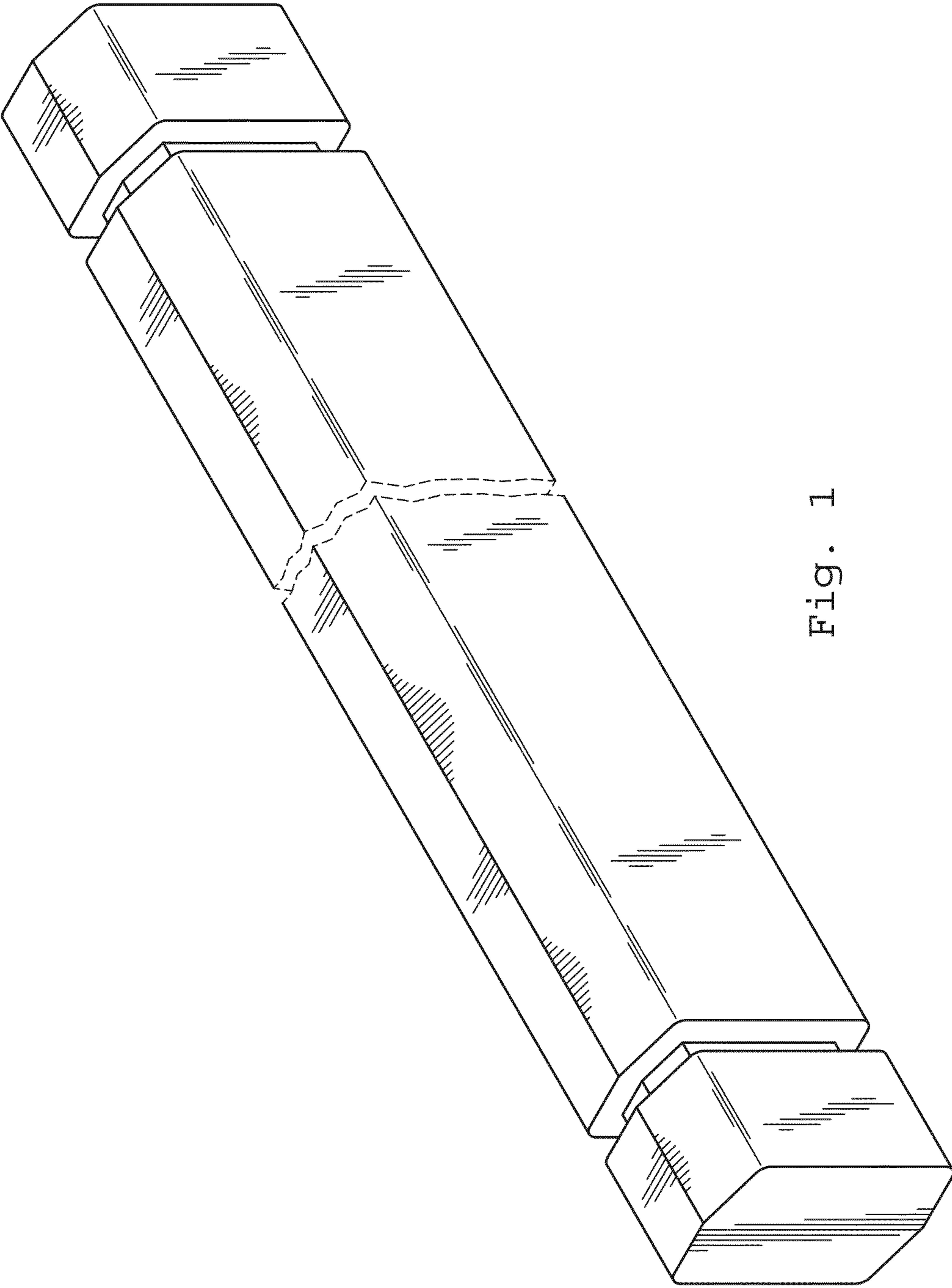


Fig. 1

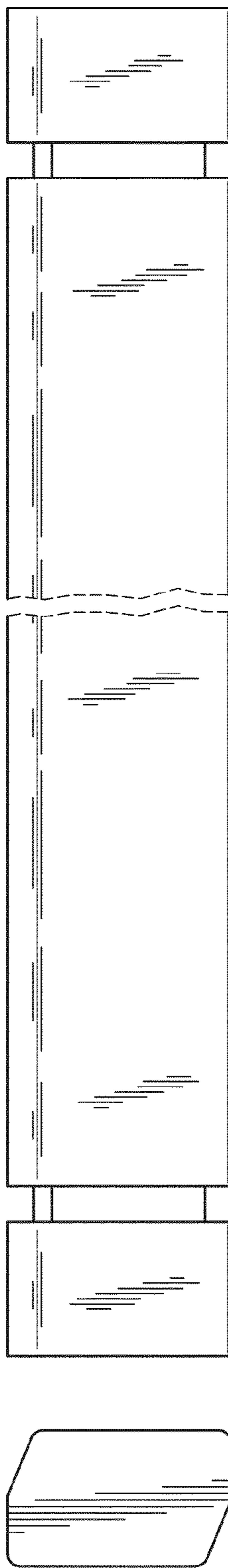


Fig. 5

Fig. 2

Fig. 4

Fig. 3