



US00D686579S

(12) **United States Design Patent**  
**Fujioka**

(10) **Patent No.:** **US D686,579 S**

(45) **Date of Patent:** **\*\* Jul. 23, 2013**

(54) **CONNECTOR SOCKET**

(75) Inventor: **Robb Fujioka**, Manhattan Beach, CA  
(US)

(73) Assignee: **Fuhu Holdings, Inc.**, El Segundo, CA  
(US)

(\*\*) Term: **14 Years**

(21) Appl. No.: **29/422,339**

(22) Filed: **May 18, 2012**

(51) **LOC (9) Cl.** ..... **13-03**

(52) **U.S. Cl.**  
USPC ..... **D13/154; D13/133**

(58) **Field of Classification Search**  
USPC ..... D13/133, 154, 146, 147, 151, 184,  
D13/199, 153; 439/68, 73, 135, 260, 329,  
439/331, 492, 495, 526, 570, 862, 155, 460,  
439/578, 597, 600, 660, 668, 680  
See application file for complete search history.

(56) **References Cited**

U.S. PATENT DOCUMENTS

4,440,464	A *	4/1984	Spinner	.....	439/218
D328,279	S *	7/1992	Couto et al.	.....	D13/133
6,145,193	A *	11/2000	Gauker	.....	29/882
6,865,280	B2 *	3/2005	Lin	.....	381/361
D554,847	S	11/2007	Schmelzer et al.		
D606,498	S *	12/2009	Wong	.....	D13/154
D607,839	S *	1/2010	Lewis	.....	D13/154

7,698,836	B2	4/2010	Schmelzer et al.		
7,878,837	B2 *	2/2011	Hsieh et al.	.....	439/331
D644,179	S *	8/2011	Dobler	.....	D13/133
8,122,519	B2	2/2012	Schmelzer et al.		
2004/0099568	A1 *	5/2004	Zhang et al.	.....	206/707
2006/0199401	A1 *	9/2006	Duquerroy et al.	.....	439/63
2009/0253277	A1 *	10/2009	Hsieh	.....	439/68
2010/0297861	A1 *	11/2010	Hsieh et al.	.....	439/157
2011/0195589	A1 *	8/2011	Takahashi	.....	439/342

\* cited by examiner

*Primary Examiner* — Thomas Johannes

(74) *Attorney, Agent, or Firm* — Marc E. Hankin; Kevin Schraven; Hankin Patent Law, APC

(57) **CLAIM**

The ornamental design for a connector socket, as shown and described.

**DESCRIPTION**

FIG. 1 is a top perspective view of a connector socket showing my new design.

FIG. 2 is a bottom perspective view thereof.

FIG. 3 is a side elevation view thereof.

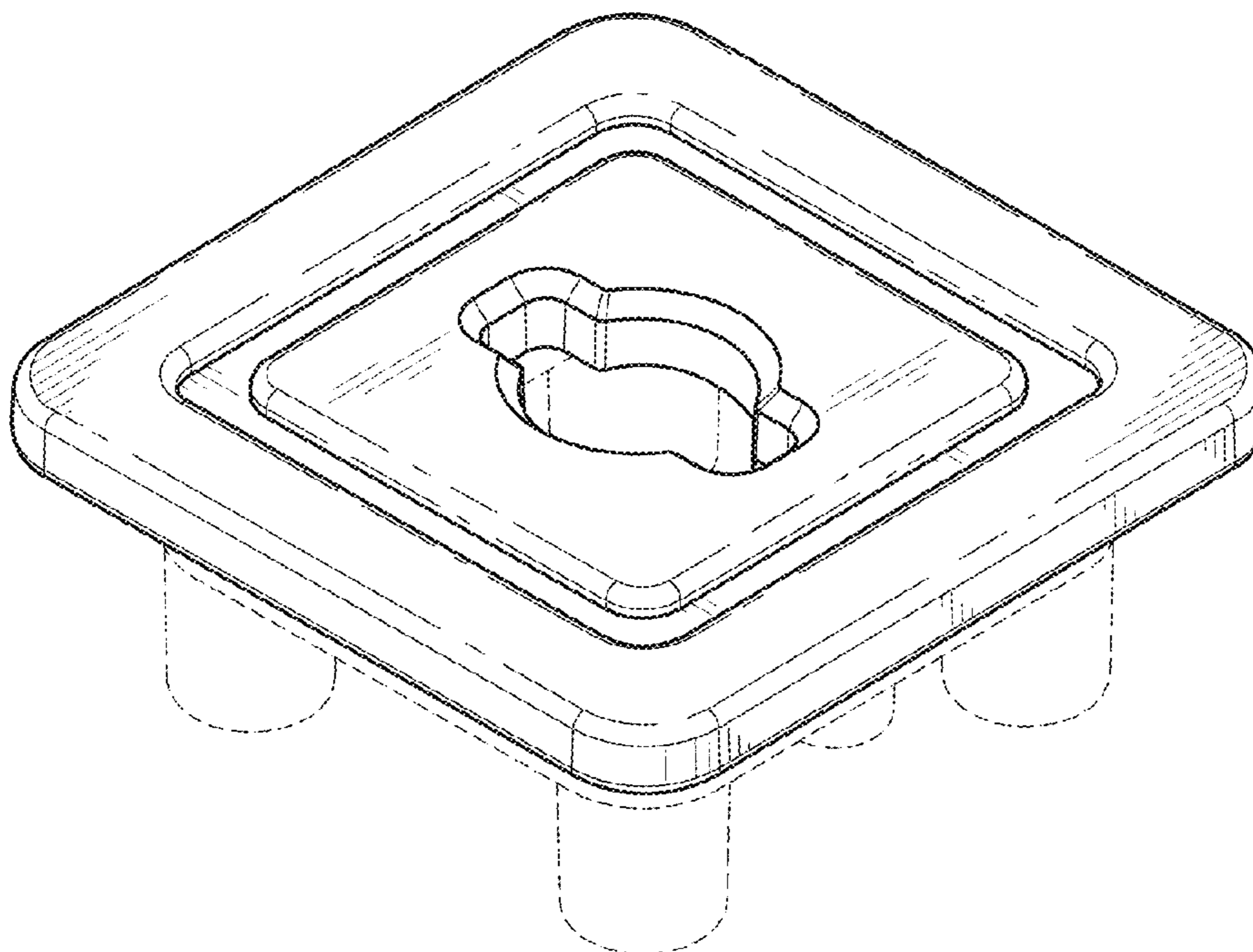
FIG. 4 is an another side elevation view thereof.

FIG. 5 is a top elevation view thereof; and,

FIG. 6 is a bottom elevation view thereof.

The broken line portion of the figure drawings is included to show unclaimed subject matter only and forms no part of the claimed design.

**1 Claim, 3 Drawing Sheets**



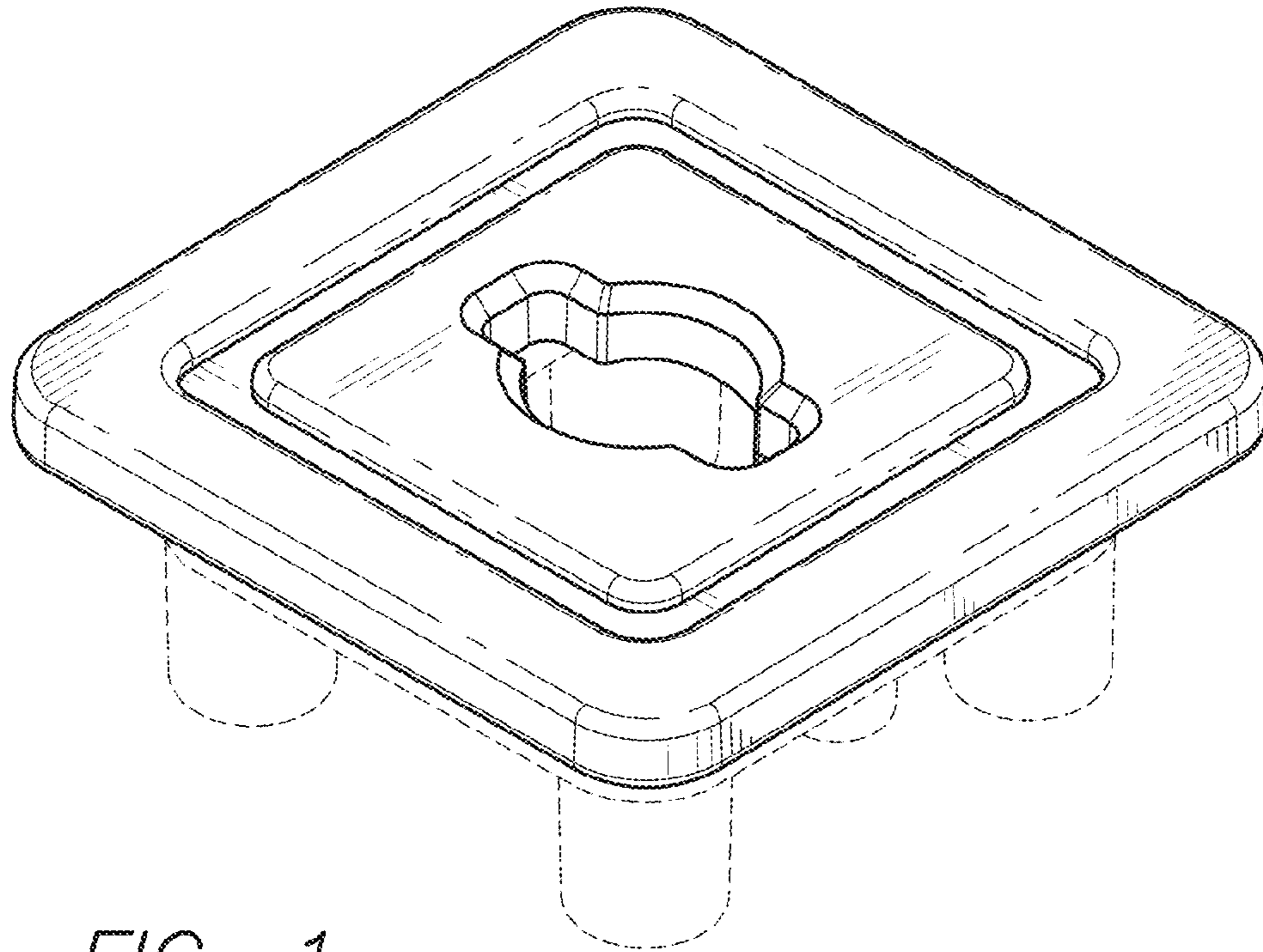


FIG. 1

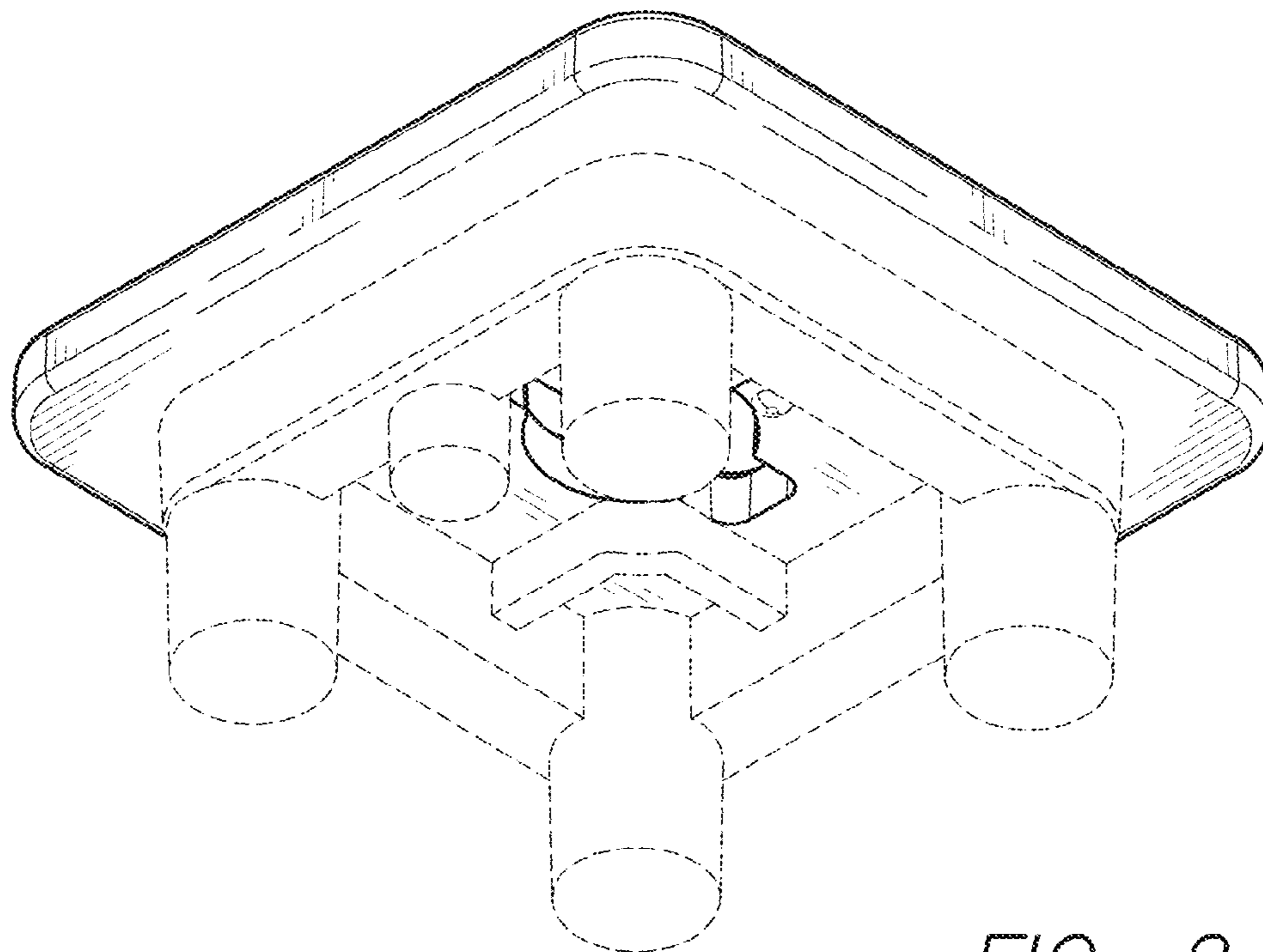


FIG. 2

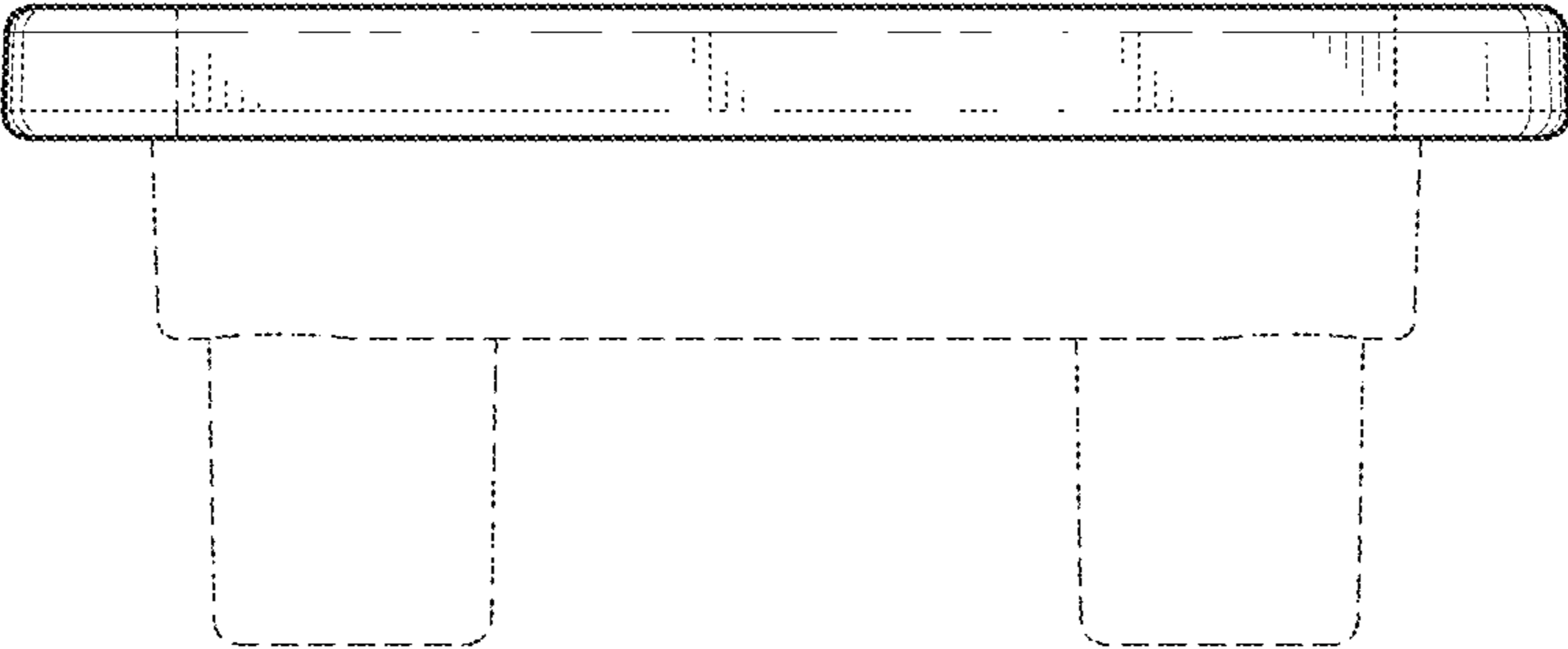


FIG. 3

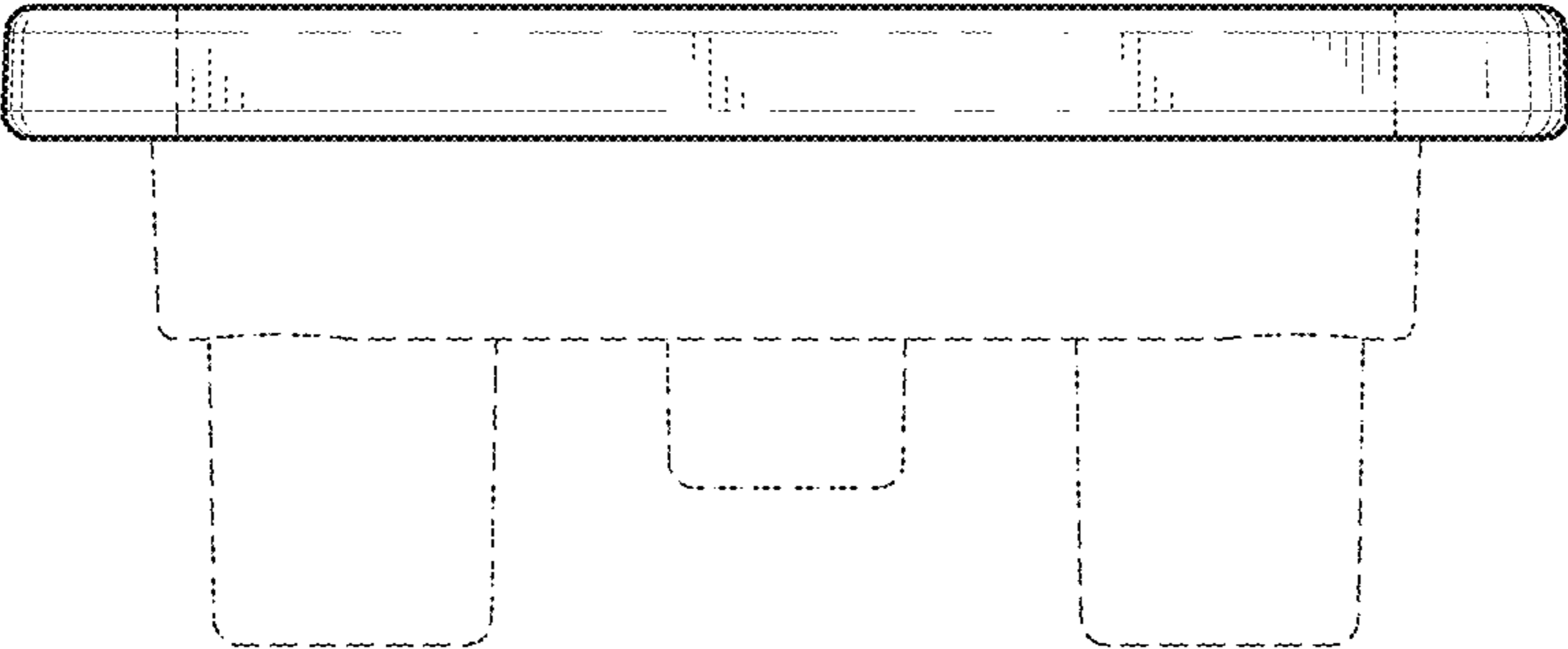


FIG. 4

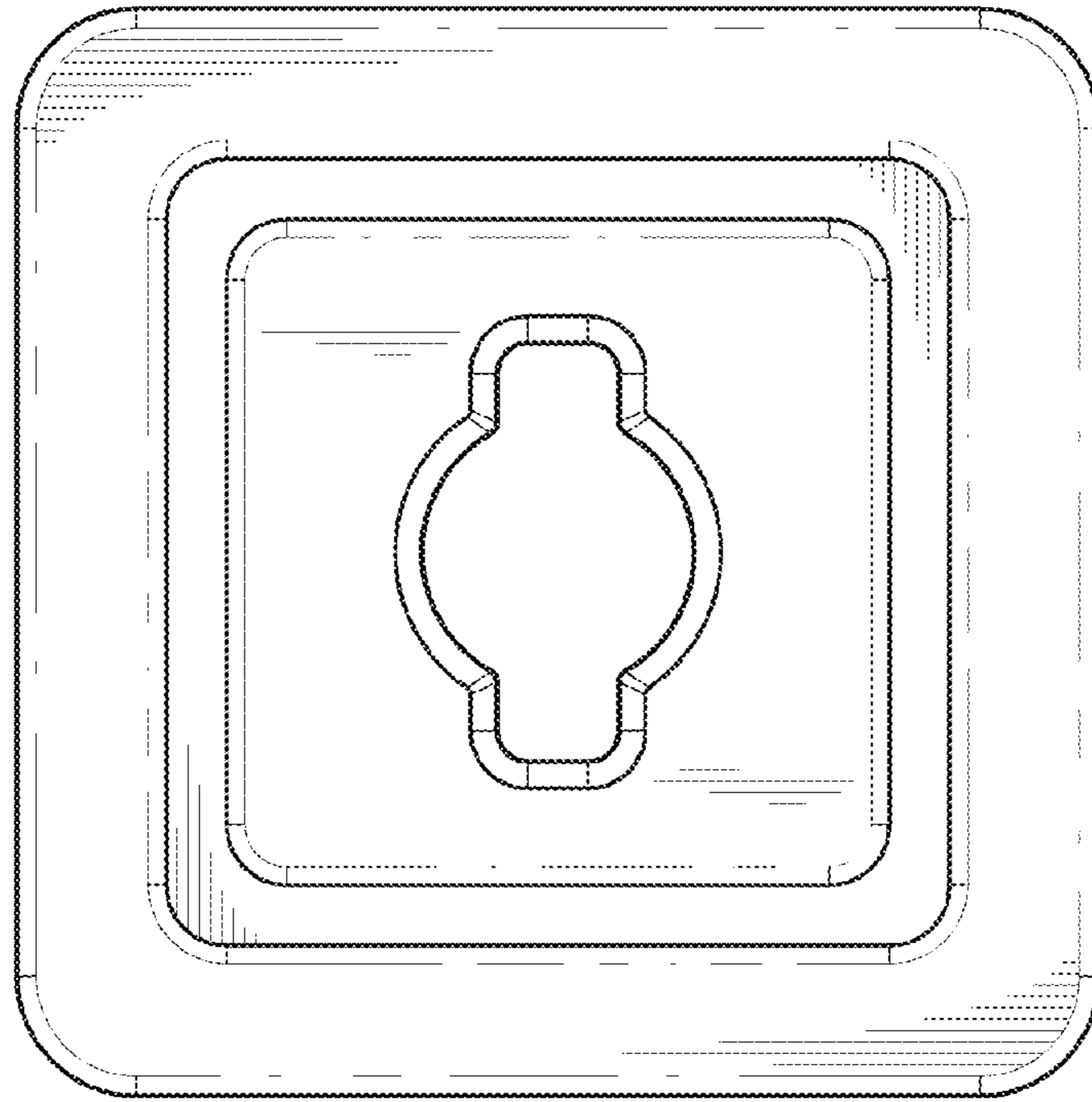


FIG. 5

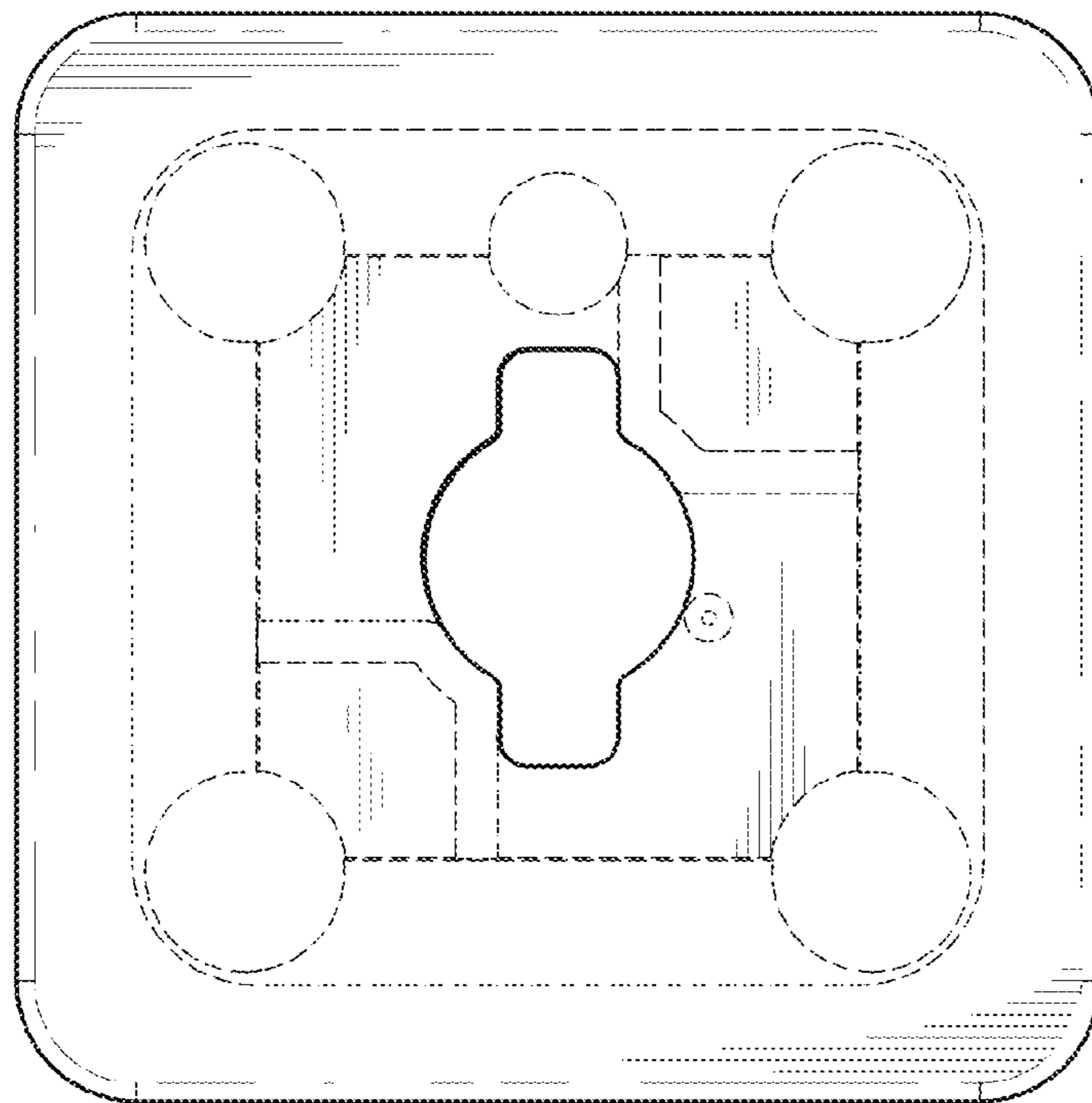


FIG. 6