



US00D686578S

(12) **United States Design Patent**
Shih et al.

(10) **Patent No.:** **US D686,578 S**

(45) **Date of Patent:** **** Jul. 23, 2013**

(54) **PROTRUSION FOR CONNECTOR**

(75) Inventors: **Po-Wen Shih**, Taipei (TW); **Hsin-Yi Chen**, Taipei (TW)

(73) Assignee: **ASUSTeK Computer Inc.**, Taipei (TW)

(**) Term: **14 Years**

(21) Appl. No.: **29/392,214**

(22) Filed: **May 18, 2011**

(51) **LOC (9) Cl.** **13-03**

(52) **U.S. Cl.**
USPC **D13/154**

(58) **Field of Classification Search**
USPC D13/133, 147, 154, 184, 199; 439/293,
439/354, 357-358, 586, 880, 682, 685-687,
439/695-696, 712-712
See application file for complete search history.

(56) **References Cited**

U.S. PATENT DOCUMENTS

D316,703	S	*	5/1991	Eto et al.	D13/147
5,342,221	A	*	8/1994	Peterson	439/677
D420,646	S	*	2/2000	Liao	D13/147
D492,260	S	*	6/2004	Spink, Jr.	D13/147
D556,141	S	*	11/2007	Whiteman et al.	D13/147
8,002,568	B2	*	8/2011	Searby	439/358

* cited by examiner

Primary Examiner — Daniel Bui

(74) *Attorney, Agent, or Firm* — Muncy, Geissler, Olds & Lowe, PLLC

(57) **CLAIM**

The ornamental design for a protrusion for connector, as shown.

DESCRIPTION

FIG. 1 is a top, front and left side perspective view of a first embodiment of a protrusion for connector showing our new design;

FIG. 2 is a front elevation view thereof;

FIG. 3 is a rear elevation view thereof;

FIG. 4 is a left side elevation view thereof;

FIG. 5 is a right side elevation view thereof;

FIG. 6 is a top plan view thereof;

FIG. 7 is a bottom plan view thereof;

FIG. 8 is a top, front and left side perspective view of a second embodiment of a protrusion for connector showing our new design;

FIG. 9 is a front elevation view thereof;

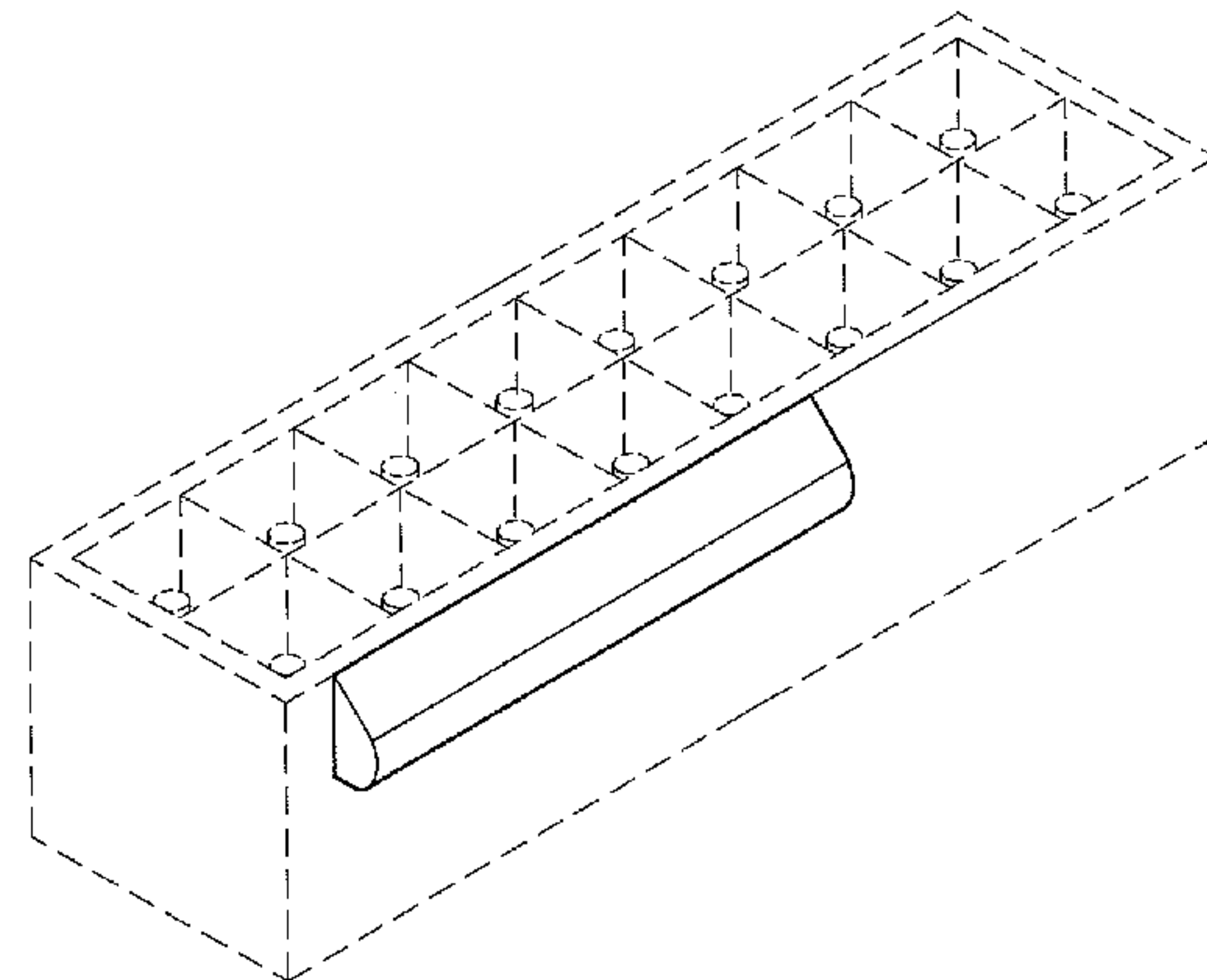
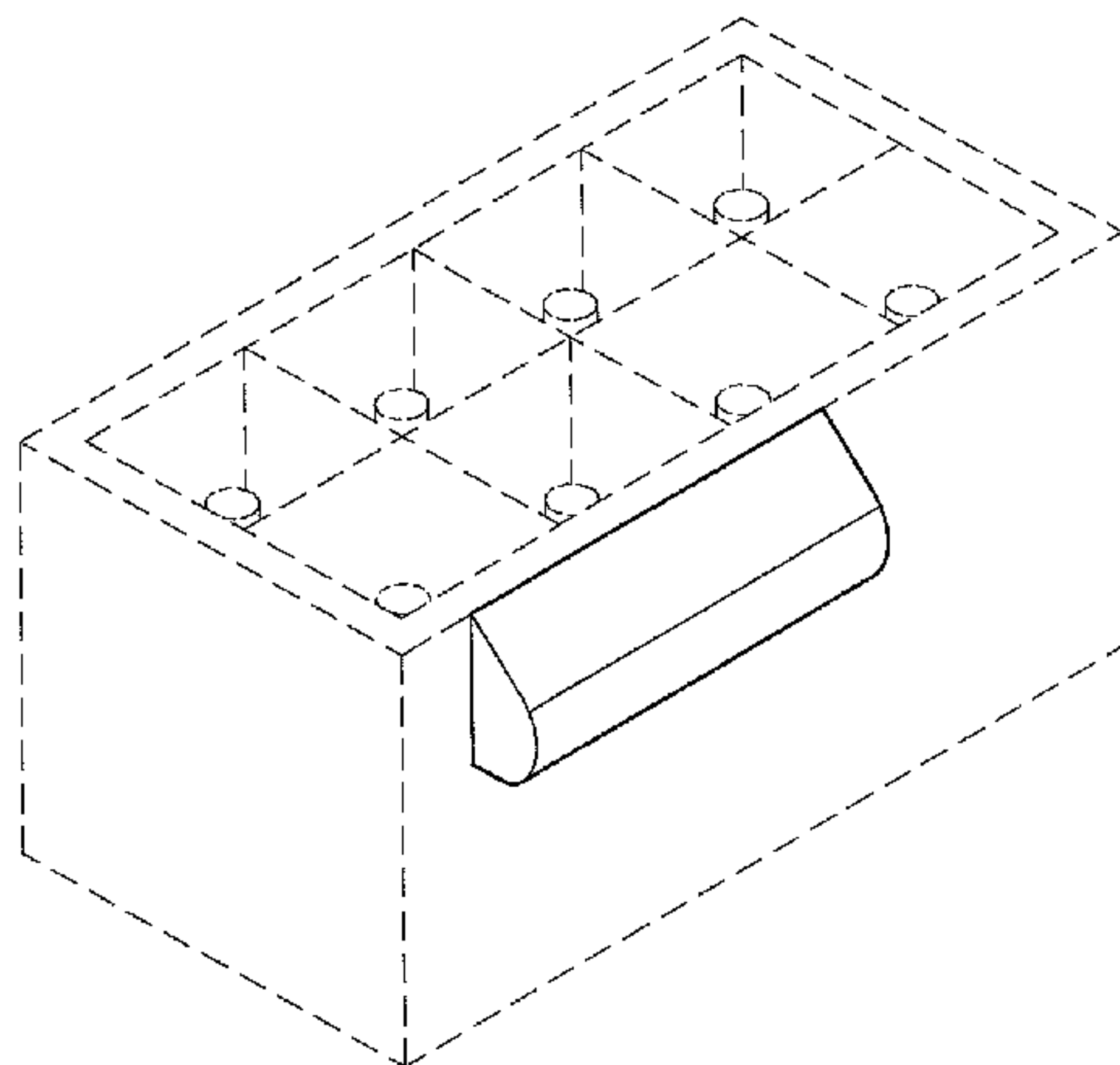
FIG. 10 is a rear elevation view thereof;

FIG. 11 is a top plan view thereof; and,

FIG. 12 is a bottom plan view thereof.

The left and right side elevation views of the second embodiment are the same as that of the first embodiment shown in FIGS. 4 and 5. The broken line shown in the figure drawings is included for the purpose of illustrating environment and forms no part of the claimed design.

1 Claim, 7 Drawing Sheets



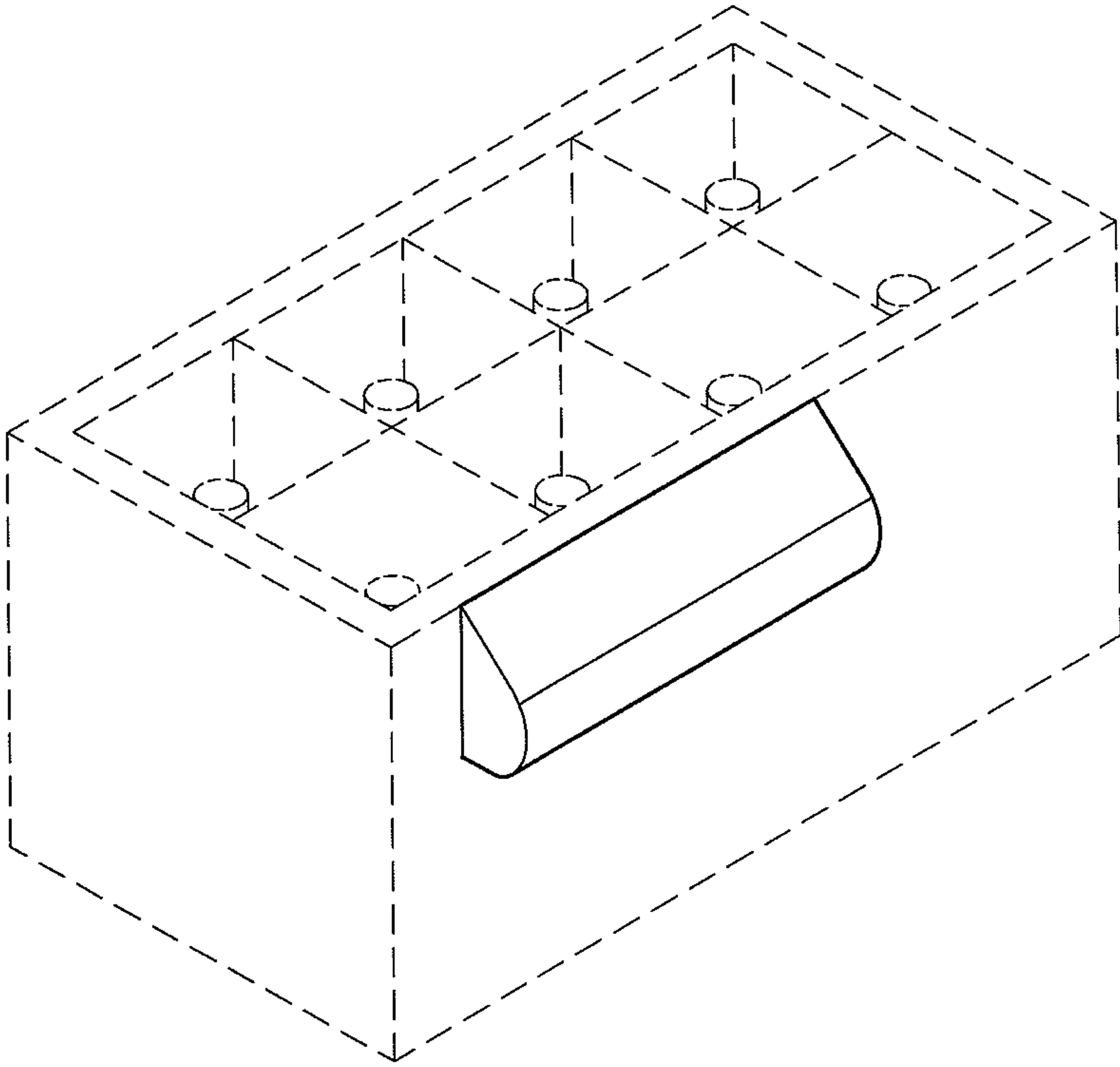


FIG. 1

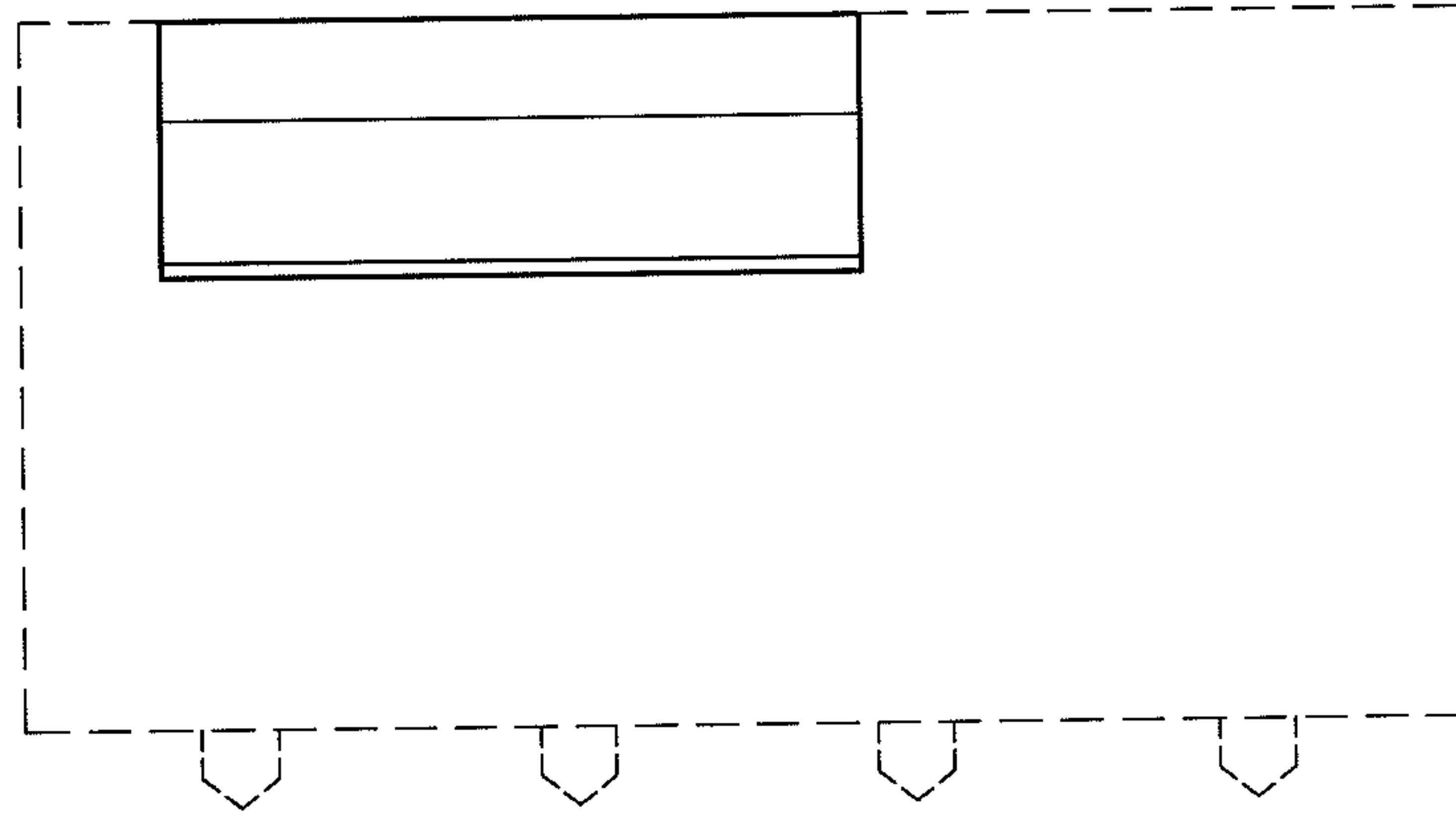


FIG. 2

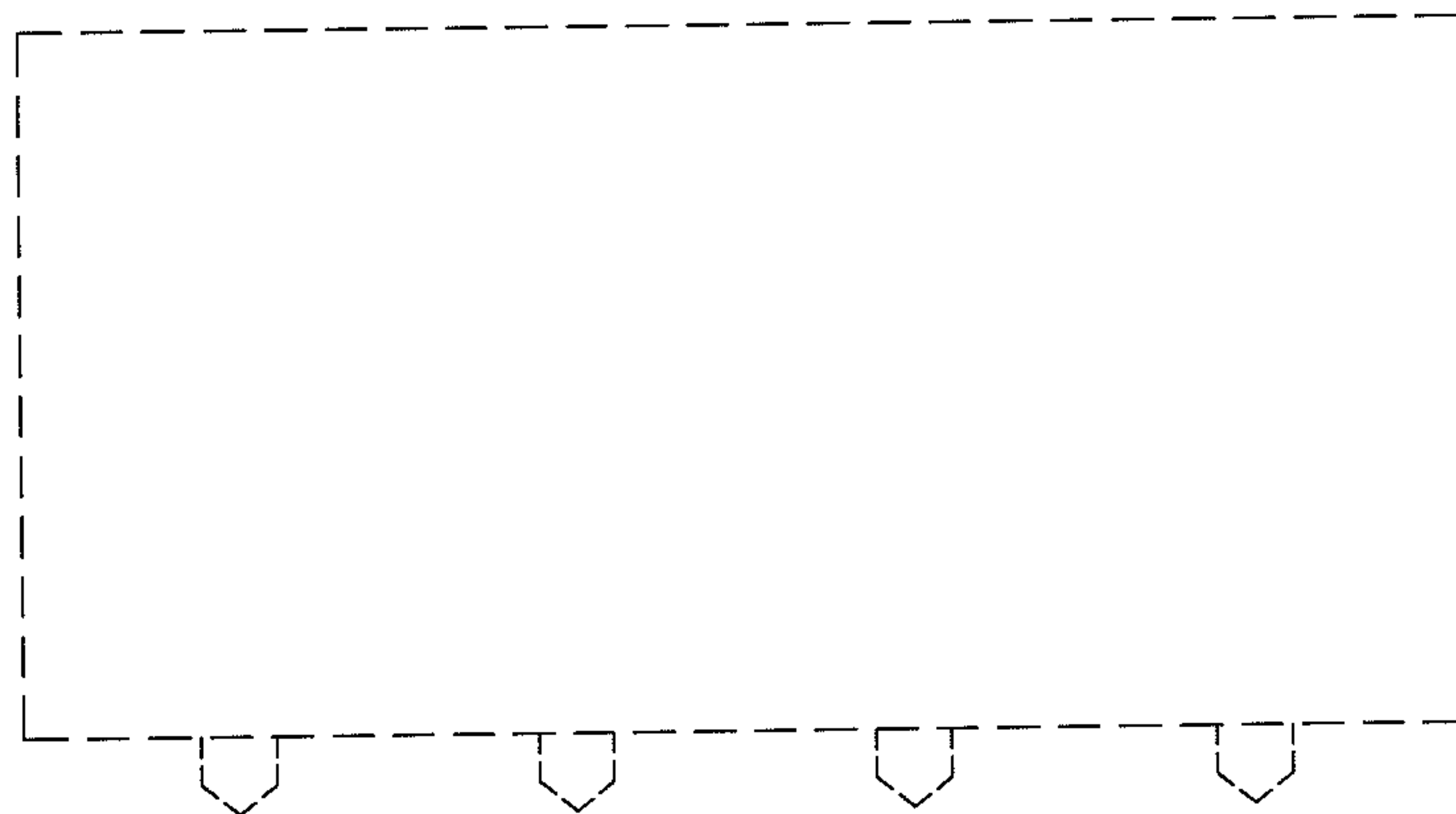


FIG. 3

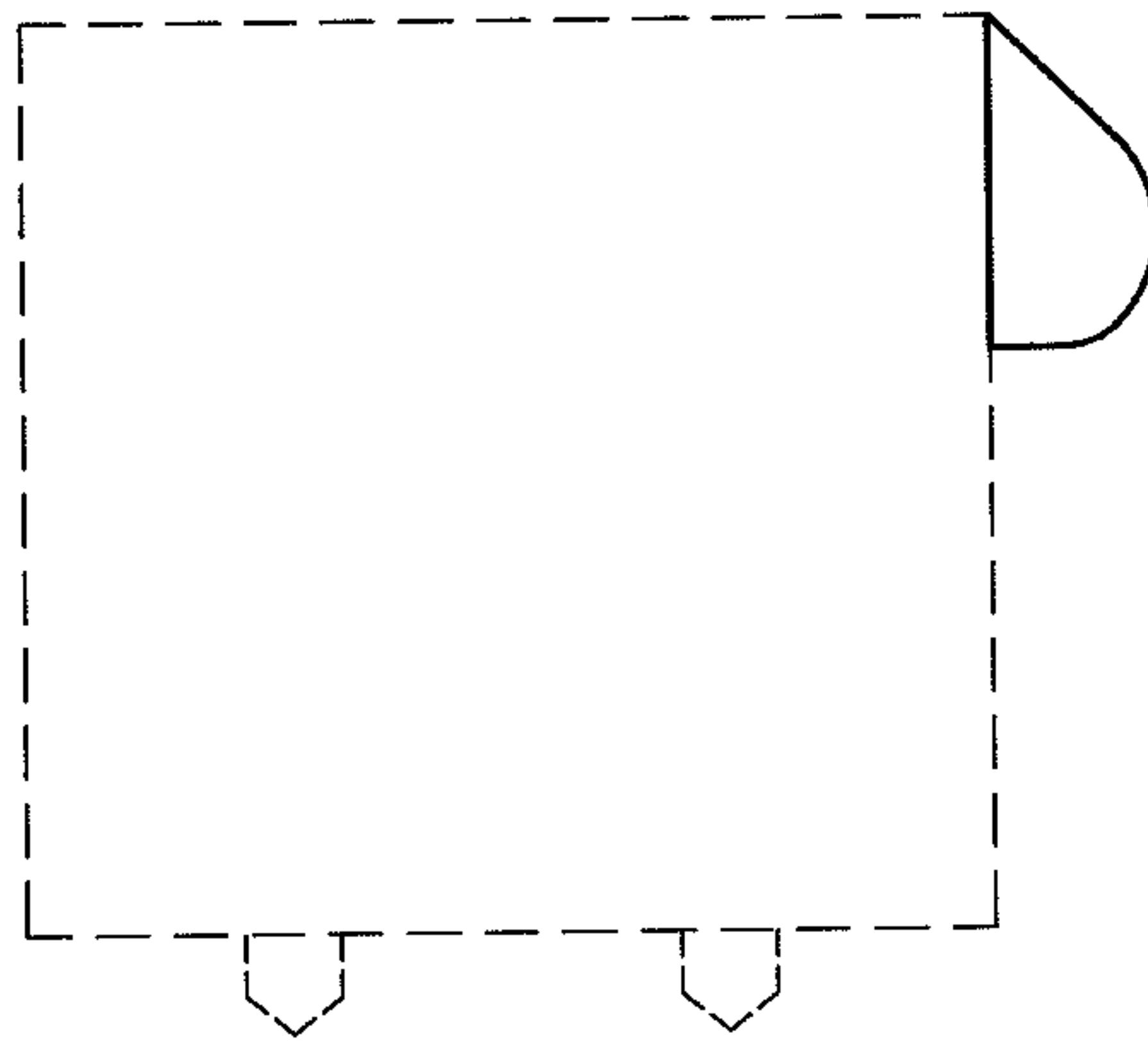


FIG. 4

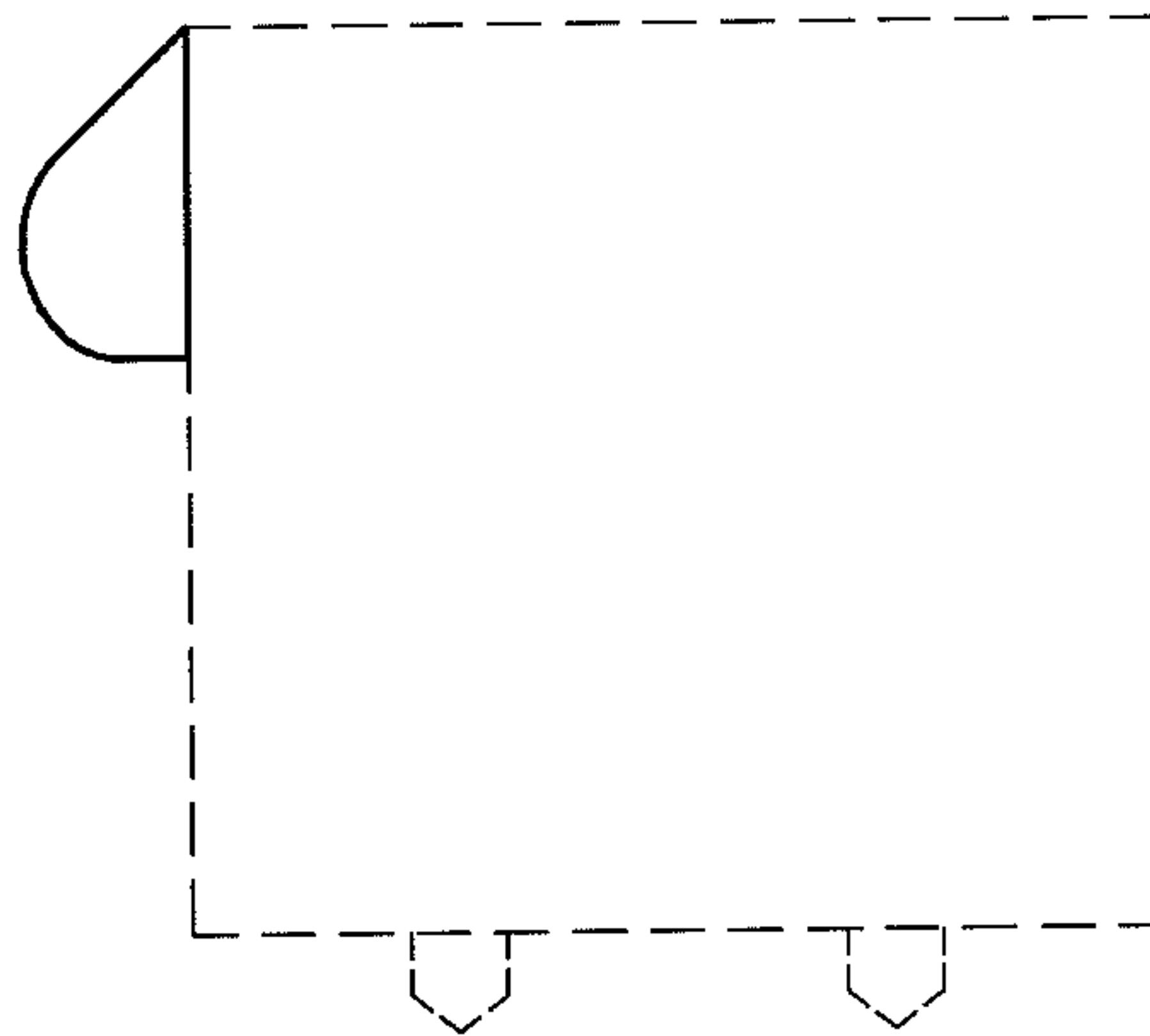


FIG. 5

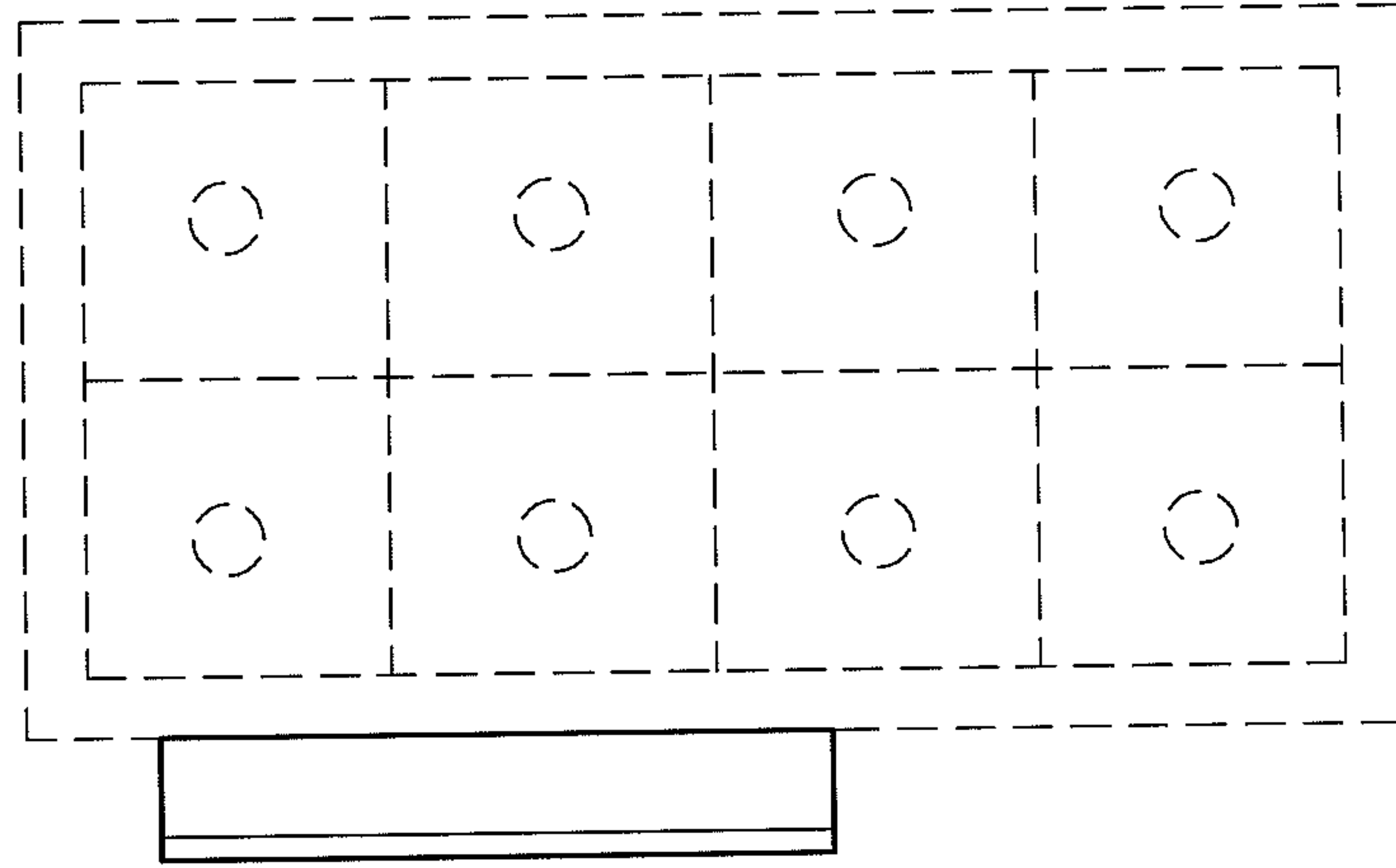


FIG. 6

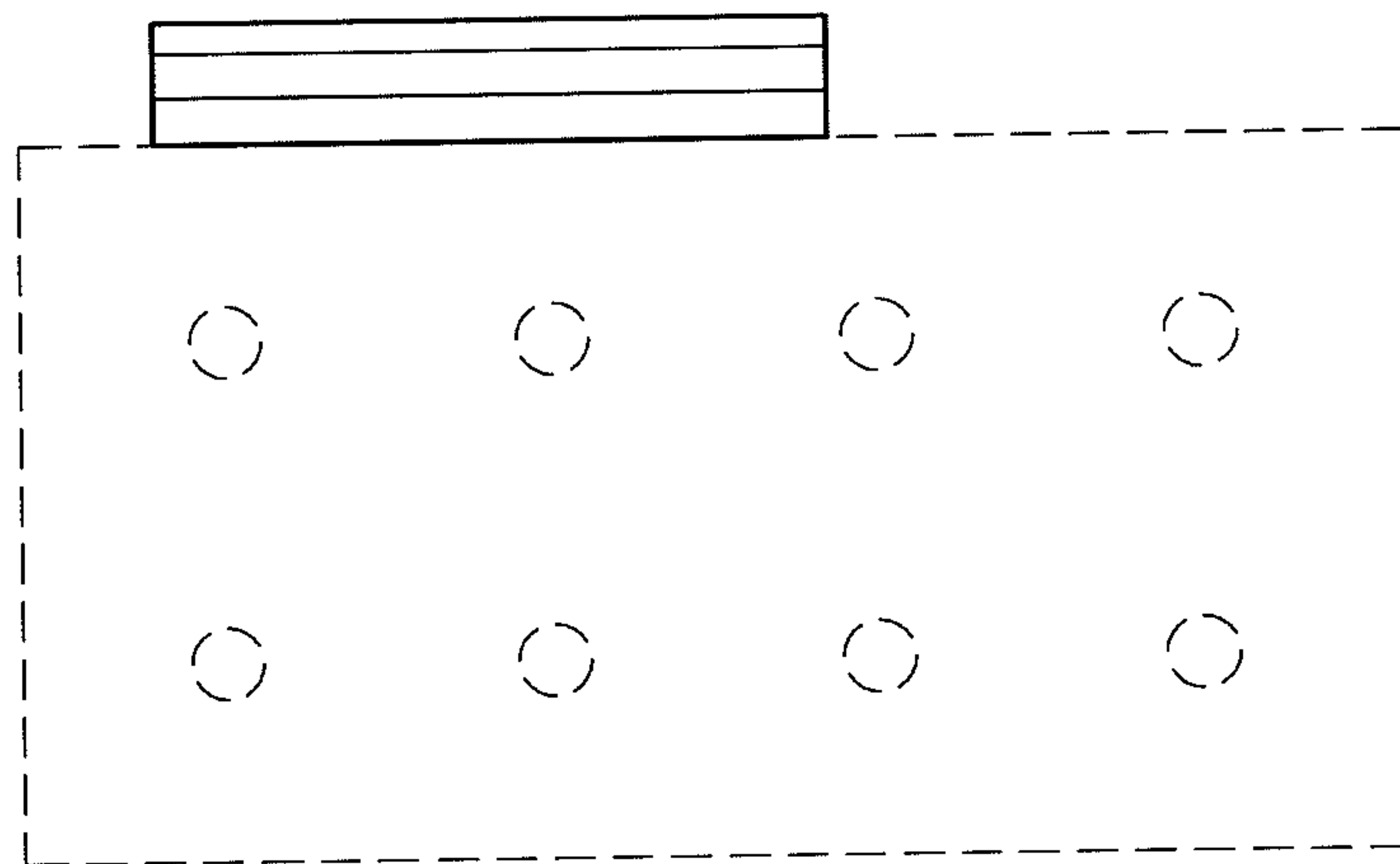


FIG. 7

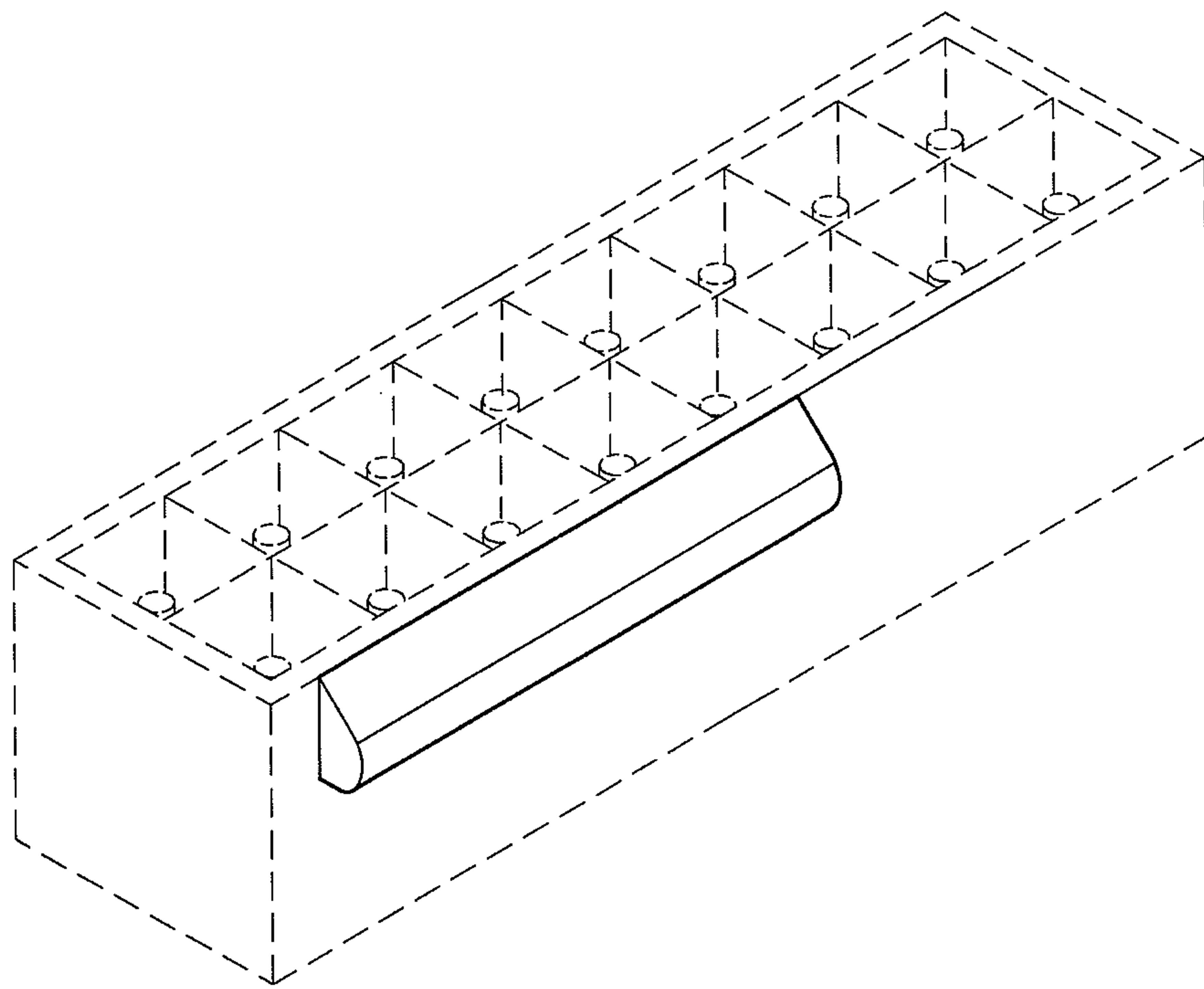


FIG. 8

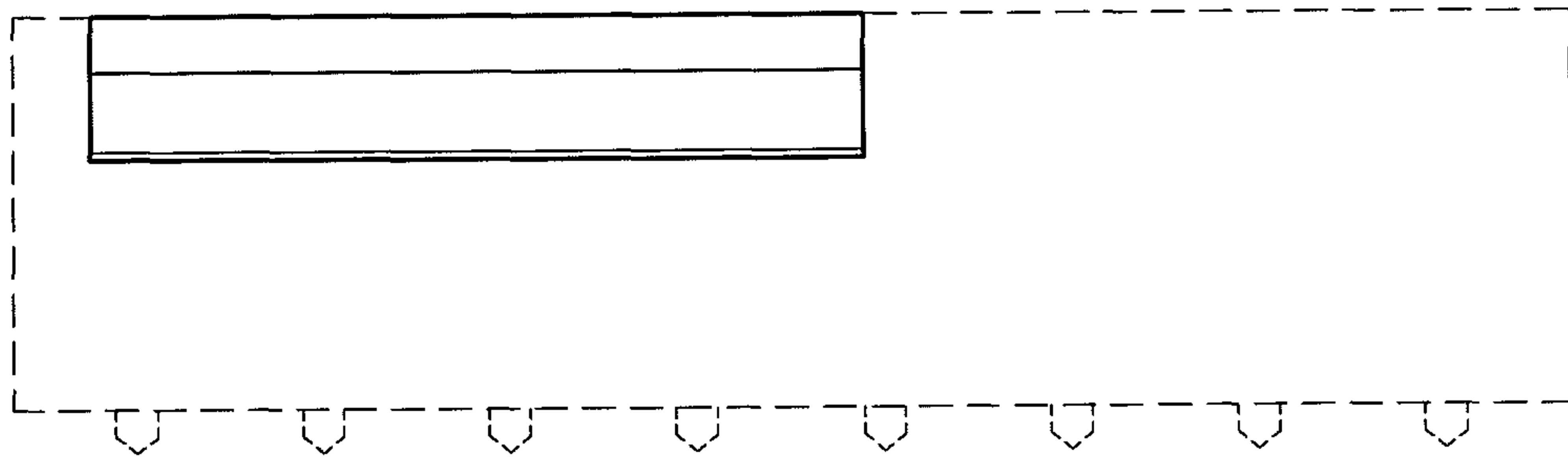


FIG. 9

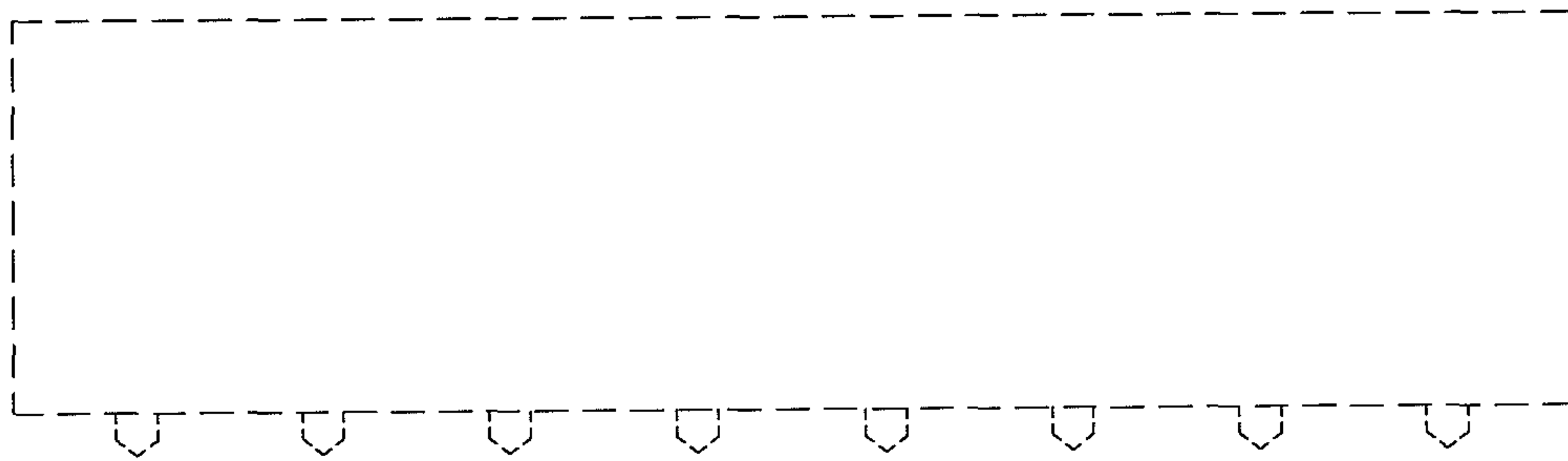


FIG. 10

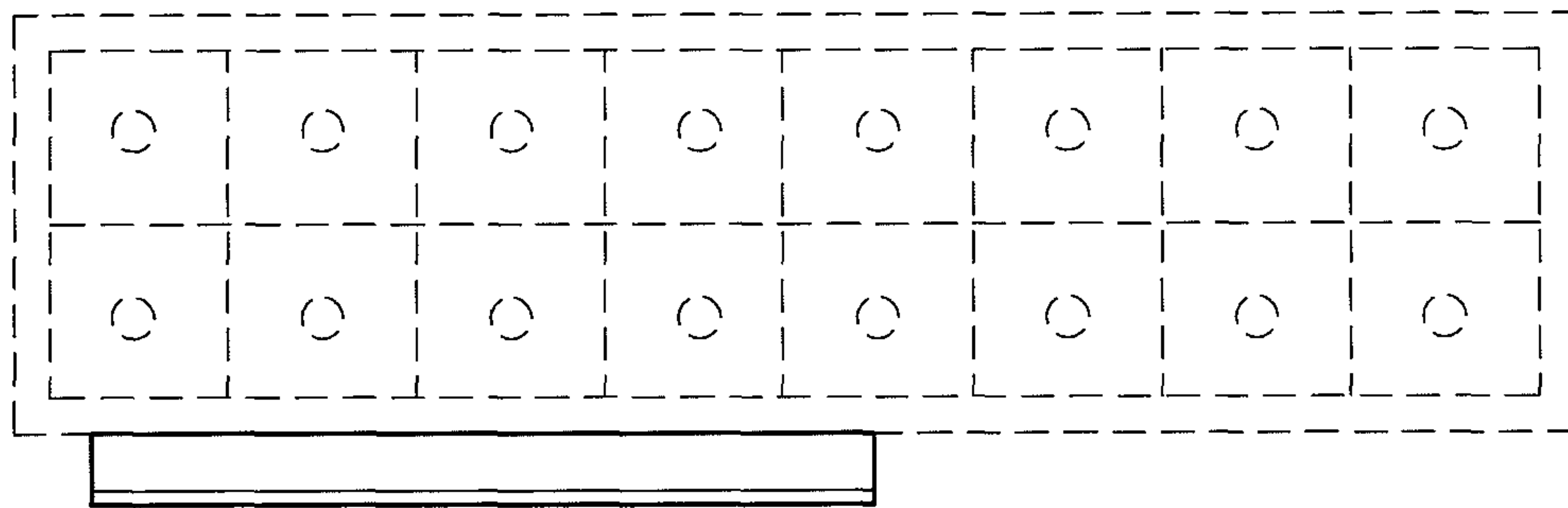


FIG. 11

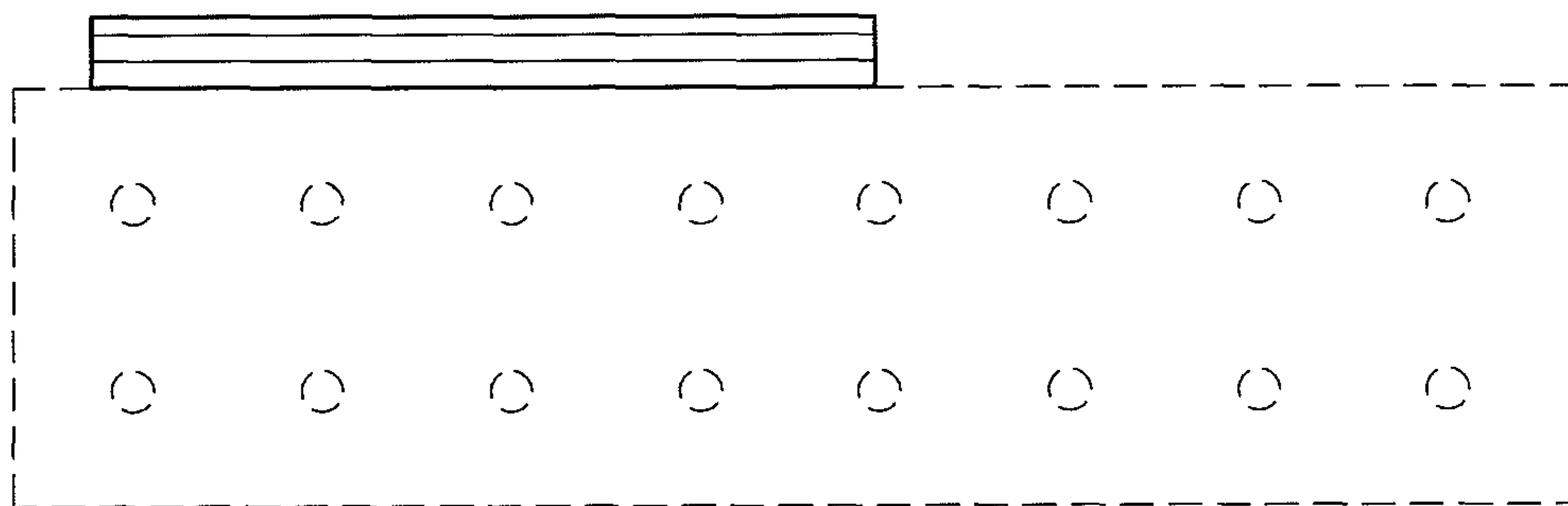


FIG. 12