



US00D686576S

(12) **United States Design Patent**  
**Haberek et al.**

(10) **Patent No.:** **US D686,576 S**

(45) **Date of Patent:** **\*\* \*Jul. 23, 2013**

(54) **OPEN COMPRESSION-TYPE COAXIAL  
CABLE CONNECTOR**

(75) Inventors: **Andrew Haberek**, Baldwinsville, NY  
(US); **Noah Montena**, Syracuse, NY  
(US)

(73) Assignee: **PPC Broadband, Inc.**, East Syracuse,  
NY (US)

(\*) Notice: This patent is subject to a terminal dis-  
claimer.

(\*\*) Term: **14 Years**

(21) Appl. No.: **29/389,010**

(22) Filed: **Apr. 5, 2011**

(51) **LOC (9) Cl.** ..... **13-03**

(52) **U.S. Cl.**  
USPC ..... **D13/151**

(58) **Field of Classification Search**  
USPC ... D13/151, 133, 149, 154, 184, 199; 439/13,  
439/20, 22, 133, 135, 246, 306, 321, 322,  
439/480, 476.1, 578, 583, 585, 668, 805  
See application file for complete search history.

(56) **References Cited**

U.S. PATENT DOCUMENTS

D475,976 S \* 6/2003 Montena ..... D13/151  
D495,661 S \* 9/2004 Chawgo ..... D13/156

D504,664 S \* 5/2005 Montena ..... D13/154  
D574,781 S \* 8/2008 Chawgo et al. .... D13/154  
D577,683 S \* 9/2008 Chawgo et al. .... D13/154  
D601,966 S \* 10/2009 Shaw ..... D13/151  
D607,828 S \* 1/2010 Shaw ..... D13/151  
D626,920 S \* 11/2010 Purdy et al. .... D13/151

\* cited by examiner

*Primary Examiner* — Derrick Holland

(74) *Attorney, Agent, or Firm* — Schmeiser, Olsen & Watts  
LLP

(57) **CLAIM**

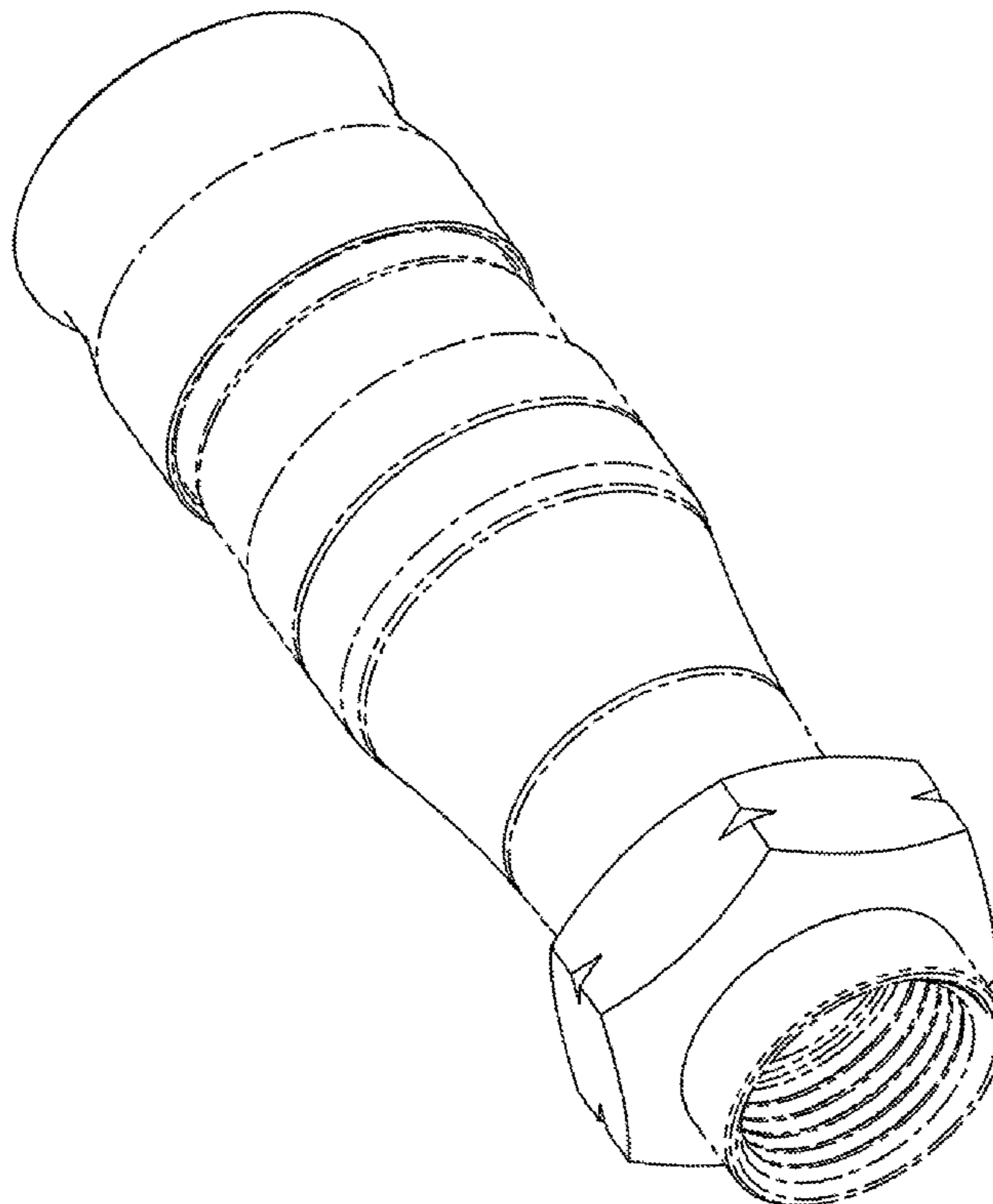
The ornamental design for an open compression-type coaxial  
cable connector, as shown and described.

**DESCRIPTION**

FIG. 1 is a front perspective view of an open compression-  
type coaxial cable connector showing our new design;  
FIG. 2 is a back perspective view thereof;  
FIG. 3 is a top plan view thereof, the bottom plan view being  
a mirror image thereto;  
FIG. 4 is a right side elevation view thereof, the left side  
elevation view being a mirror image thereof;  
FIG. 5 is a front elevation view thereof; and,  
FIG. 6 is a back elevation view thereof.

The broken lines shown represent unclaimed subject matter  
only and form no part of the claim. Where broken lines abut a  
claimed surface it is understood that those broken lines rep-  
resent an unclaimed boundary between claimed and  
unclaimed surfaces. None of the broken lines form any part of  
the claimed design.

**1 Claim, 6 Drawing Sheets**



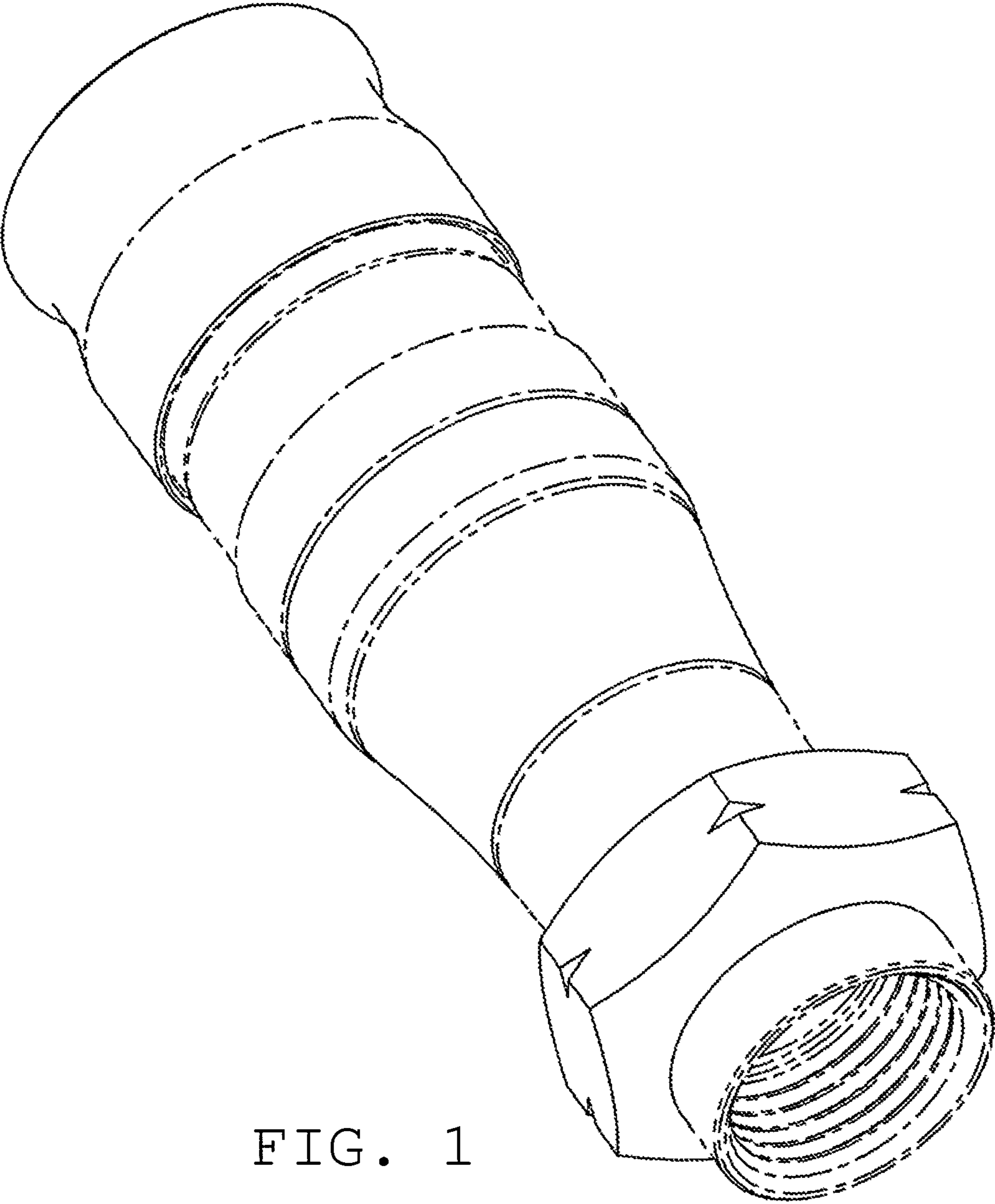


FIG. 1

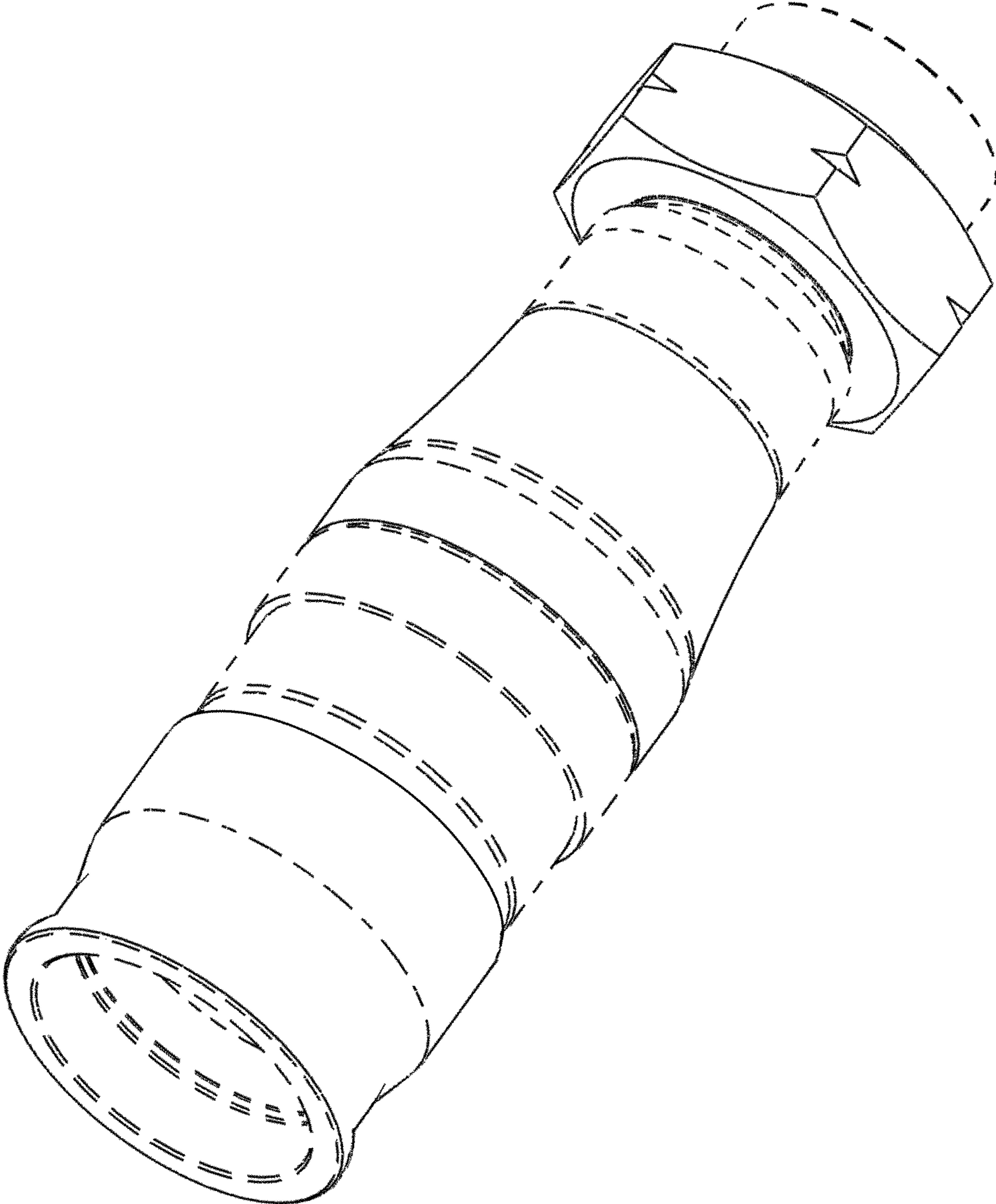


FIG. 2

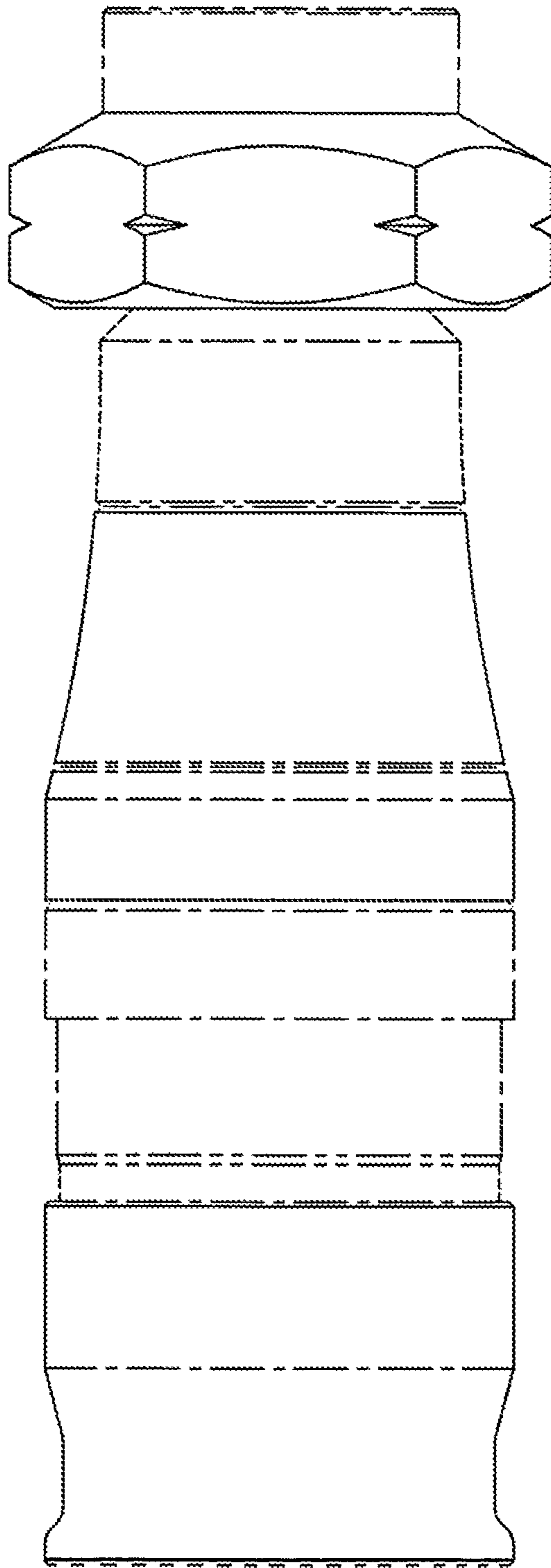


FIG. 3



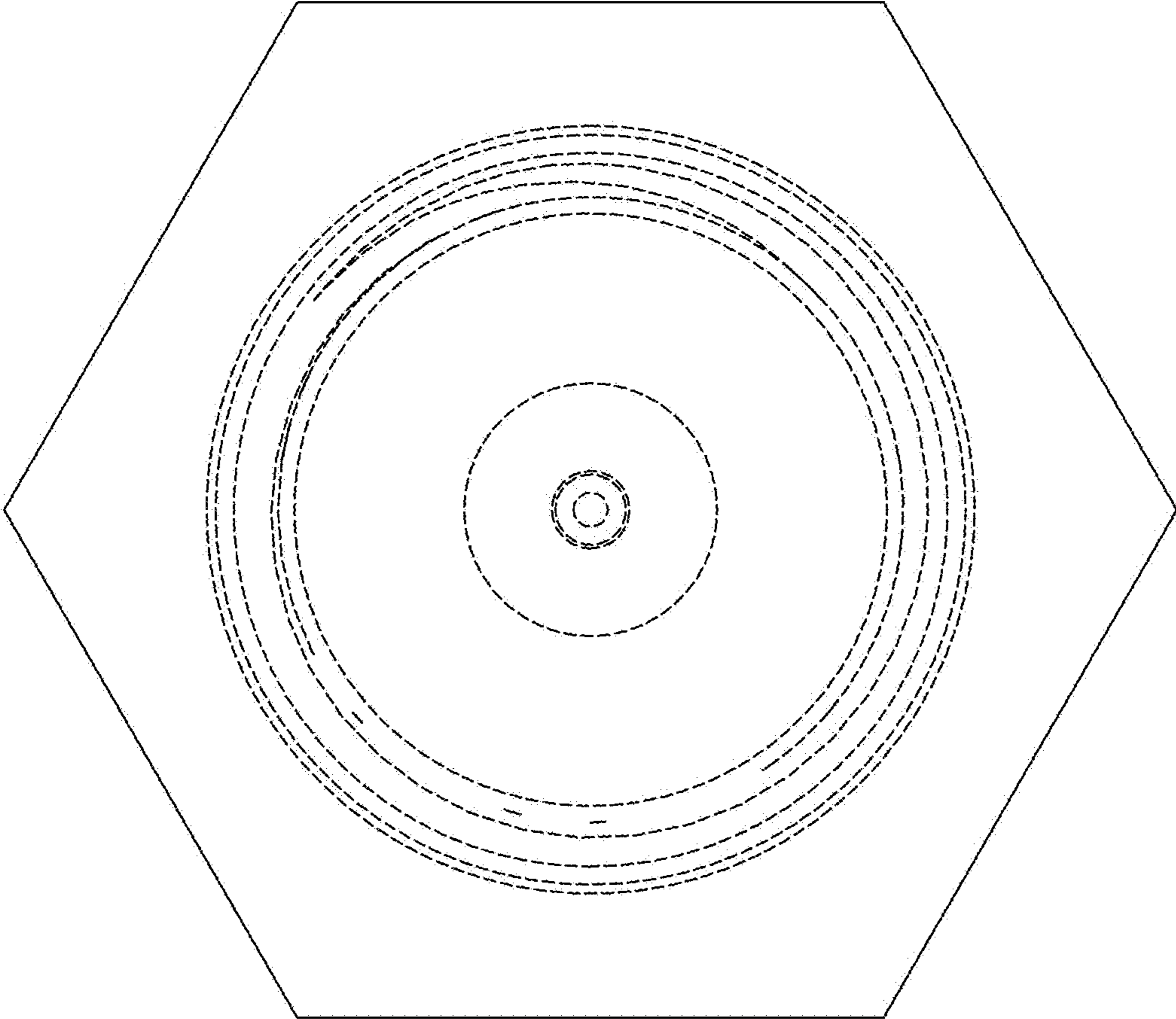


FIG. 5

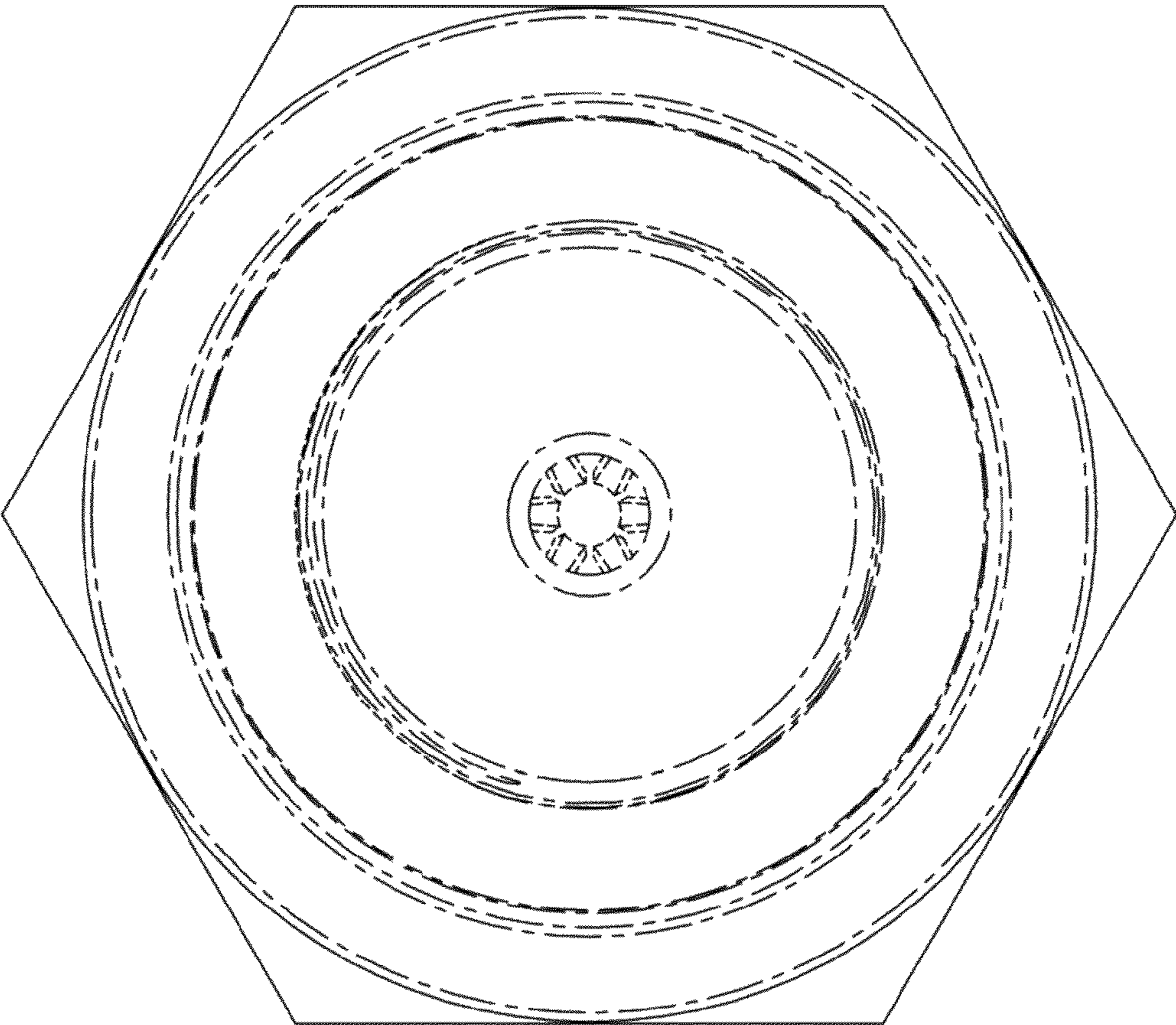


FIG. 6