



US00D686575S

(12) **United States Design Patent**
Sato

(10) **Patent No.:** **US D686,575 S**
(45) **Date of Patent:** **** Jul. 23, 2013**

(54) **ELECTRICAL CONNECTOR**

(75) Inventor: **Yukiko Sato**, Tokyo (JP)

(73) Assignee: **Japan Aviation Electronics Industry, Limited**, Tokyo (JP)

(**) Term: **14 Years**

(21) Appl. No.: **29/416,687**

(22) Filed: **Mar. 26, 2012**

(30) **Foreign Application Priority Data**

Oct. 7, 2011 (JP) 2011-023116

(51) **LOC (9) Cl.** **13-03**

(52) **U.S. Cl.**
USPC **D13/147**

(58) **Field of Classification Search**
USPC D13/147, 154, 184, 199; 439/79,
439/108, 350, 353, 357, 378, 476.1, 489,
439/587, 594, 595, 598, 607.01, 607.04,
439/607.05, 607.17, 607.25, 607.34, 607.41,
439/607.53, 656, 660, 668, 680, 711, 745,
439/752

See application file for complete search history.

(56) **References Cited**

U.S. PATENT DOCUMENTS

D489,687 S * 5/2004 Kawase et al. D13/147
D490,377 S * 5/2004 Sato D13/147
D517,489 S * 3/2006 Kawase et al. D13/147

D531,127 S * 10/2006 Zhong et al. D13/147
D578,070 S * 10/2008 Shen et al. D13/147
D620,895 S * 8/2010 Cohen et al. D13/154
D636,339 S * 4/2011 Hsu et al. D13/147
D638,365 S * 5/2011 Hsu et al. D13/147
D671,895 S * 12/2012 Wang et al. D13/147
D671,896 S * 12/2012 Wang et al. D13/147

* cited by examiner

Primary Examiner — Daniel Bui

(74) *Attorney, Agent, or Firm* — Westerman, Hattori, Daniels & Adrian, LLP

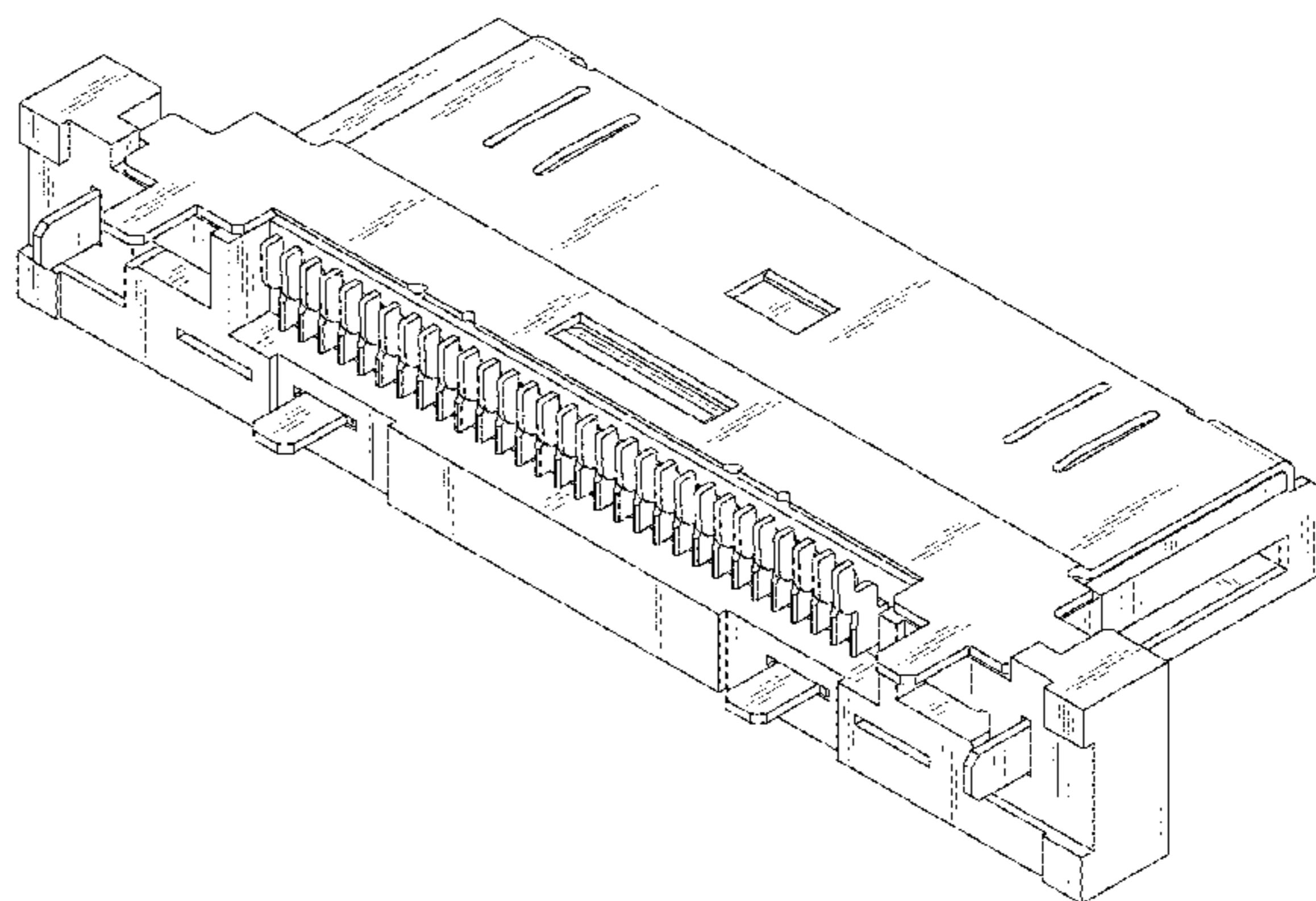
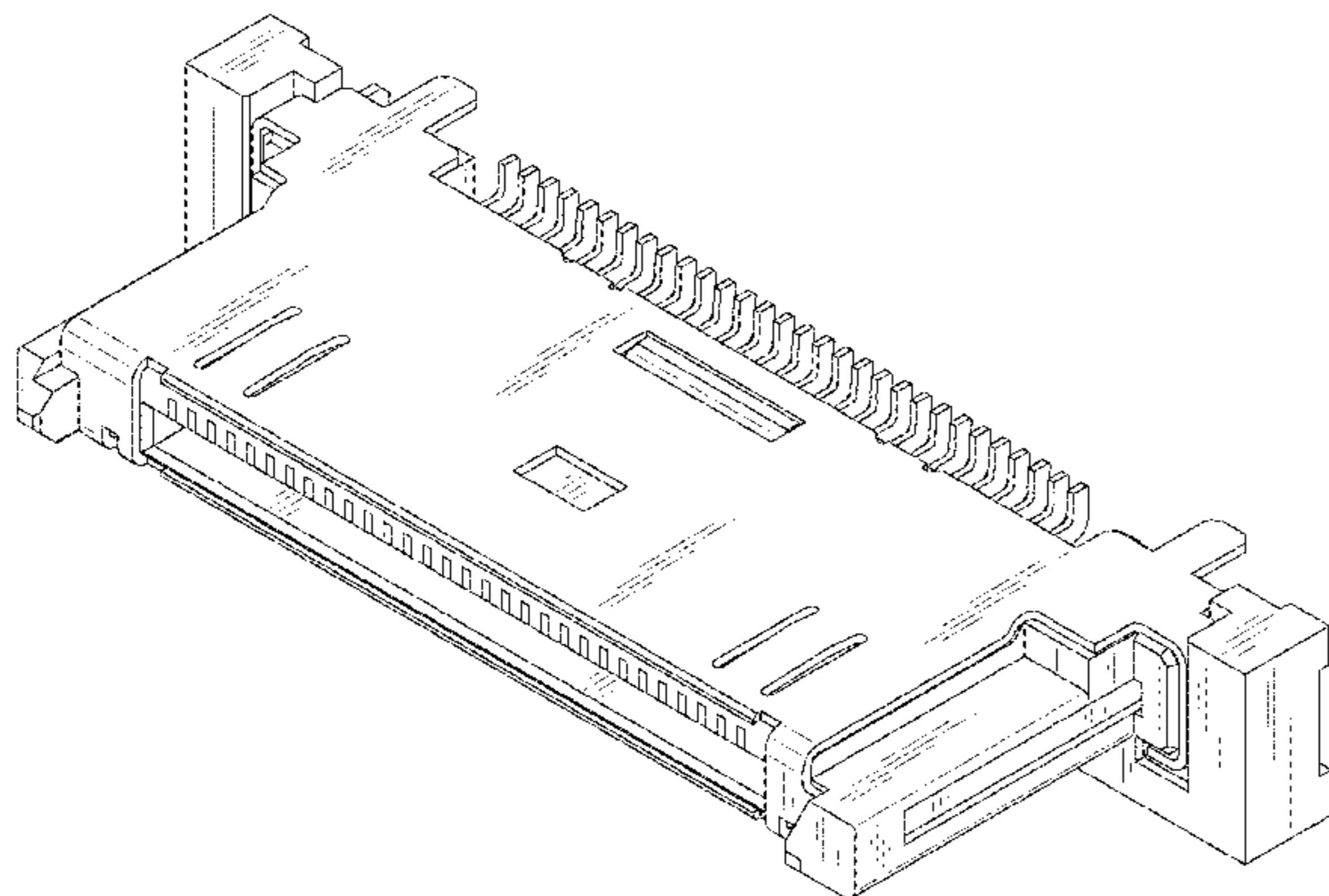
(57) **CLAIM**

The ornamental design for an electrical connector, as shown and described.

DESCRIPTION

FIG. 1 is a front elevational view of an electrical connector, showing my new design;
FIG. 2 is a rear elevational view thereof;
FIG. 3 is a right side elevational view thereof;
FIG. 4 is a left side elevational view thereof;
FIG. 5 is a top plan view thereof;
FIG. 6 is a bottom plan view thereof;
FIG. 7 is a right front perspective view showing the top thereof;
FIG. 8 is a left rear perspective view showing the bottom thereof;
FIG. 9 is a right front perspective view showing the bottom thereof; and,
FIG. 10 is a left rear perspective view showing the top thereof.

1 Claim, 10 Drawing Sheets



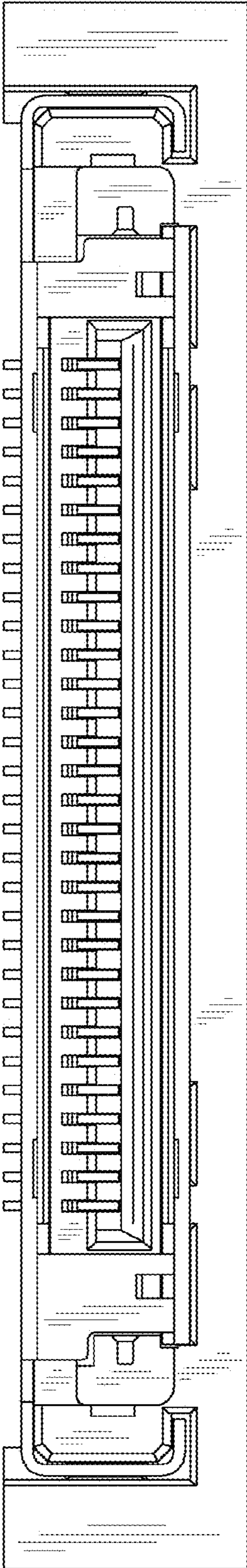


FIG.1

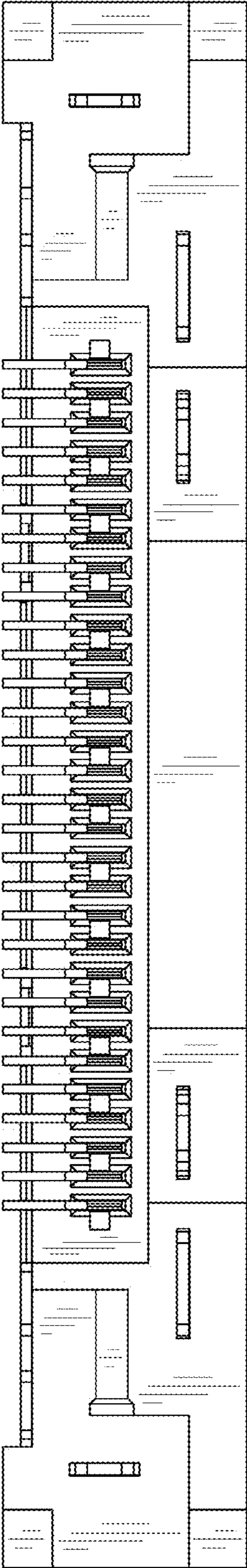


FIG.2

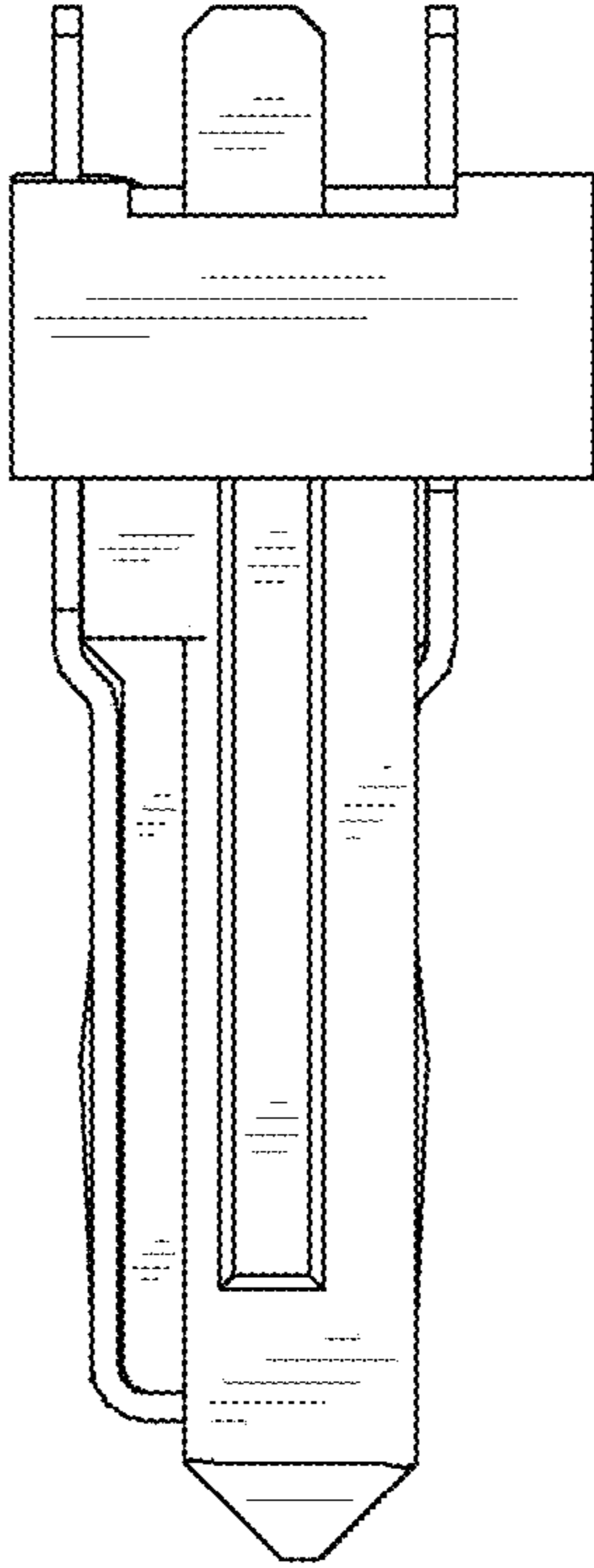


FIG. 3

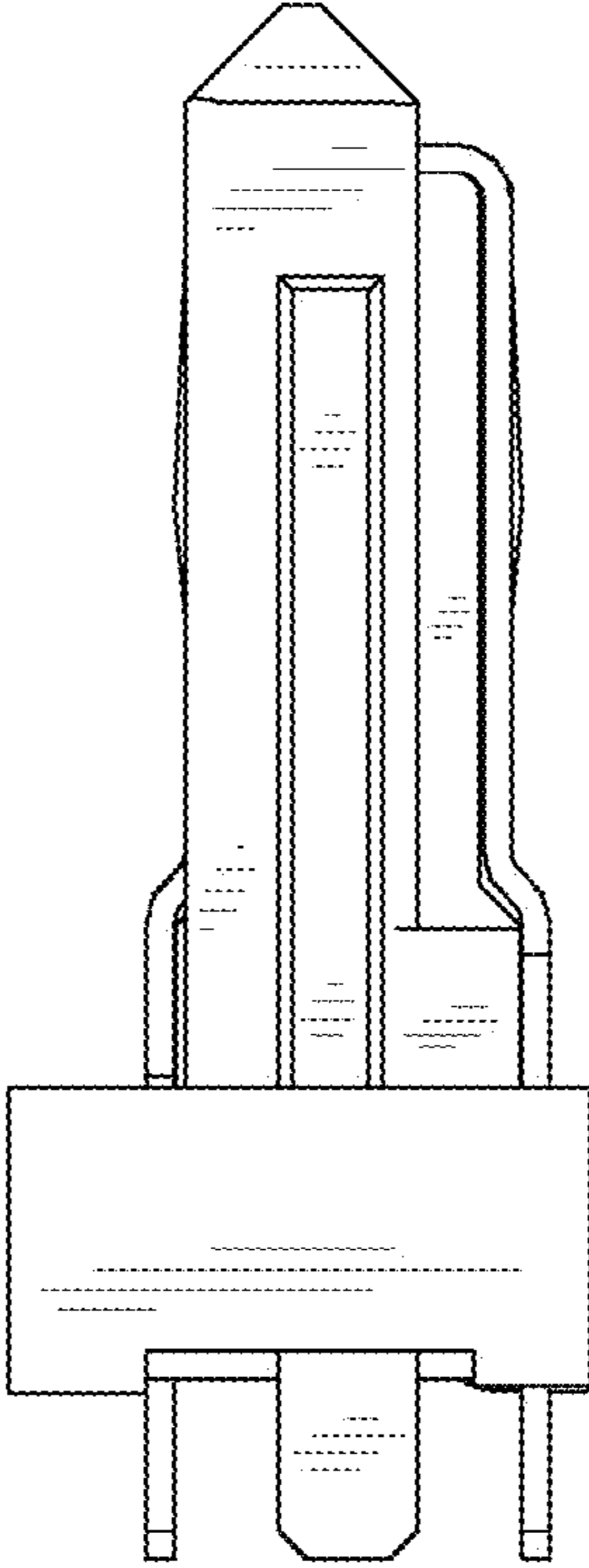


FIG. 4

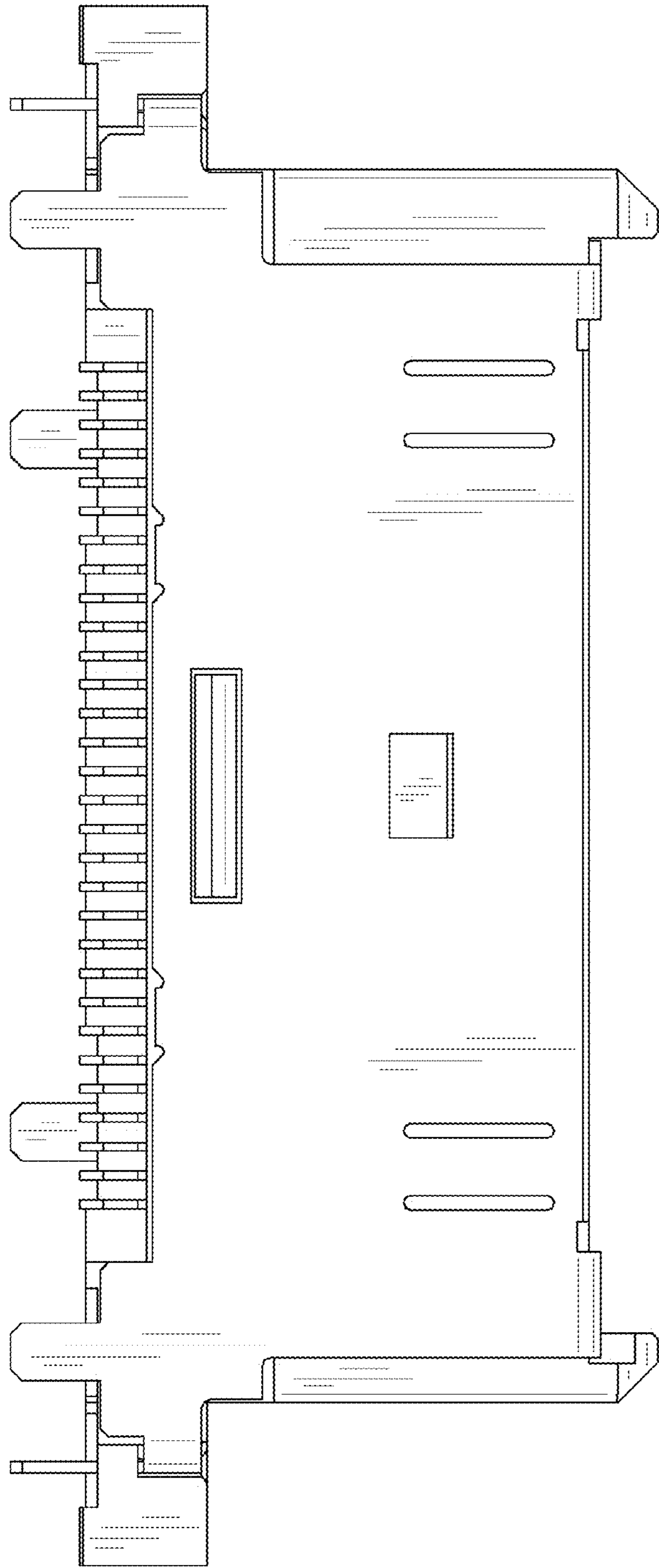


FIG. 5

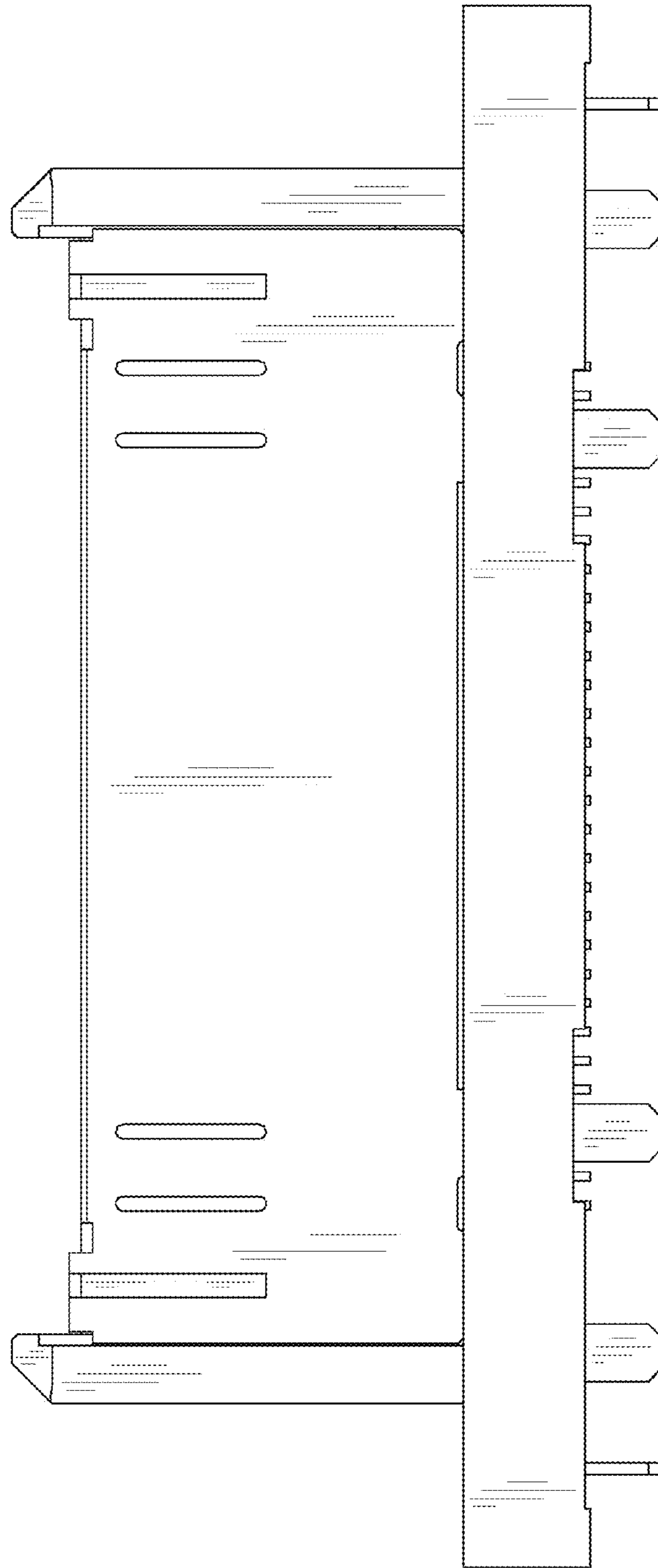


FIG.6

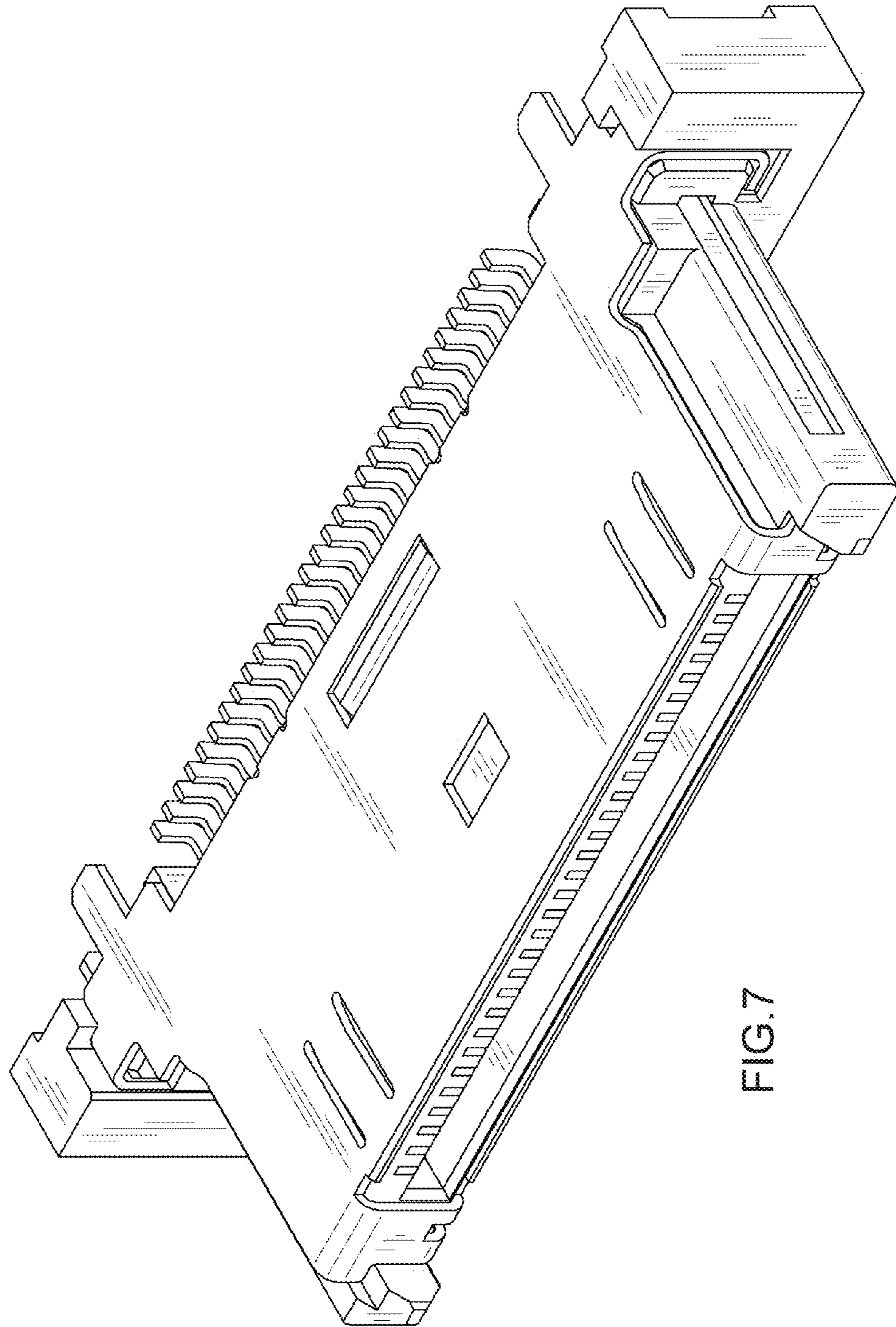


FIG.7

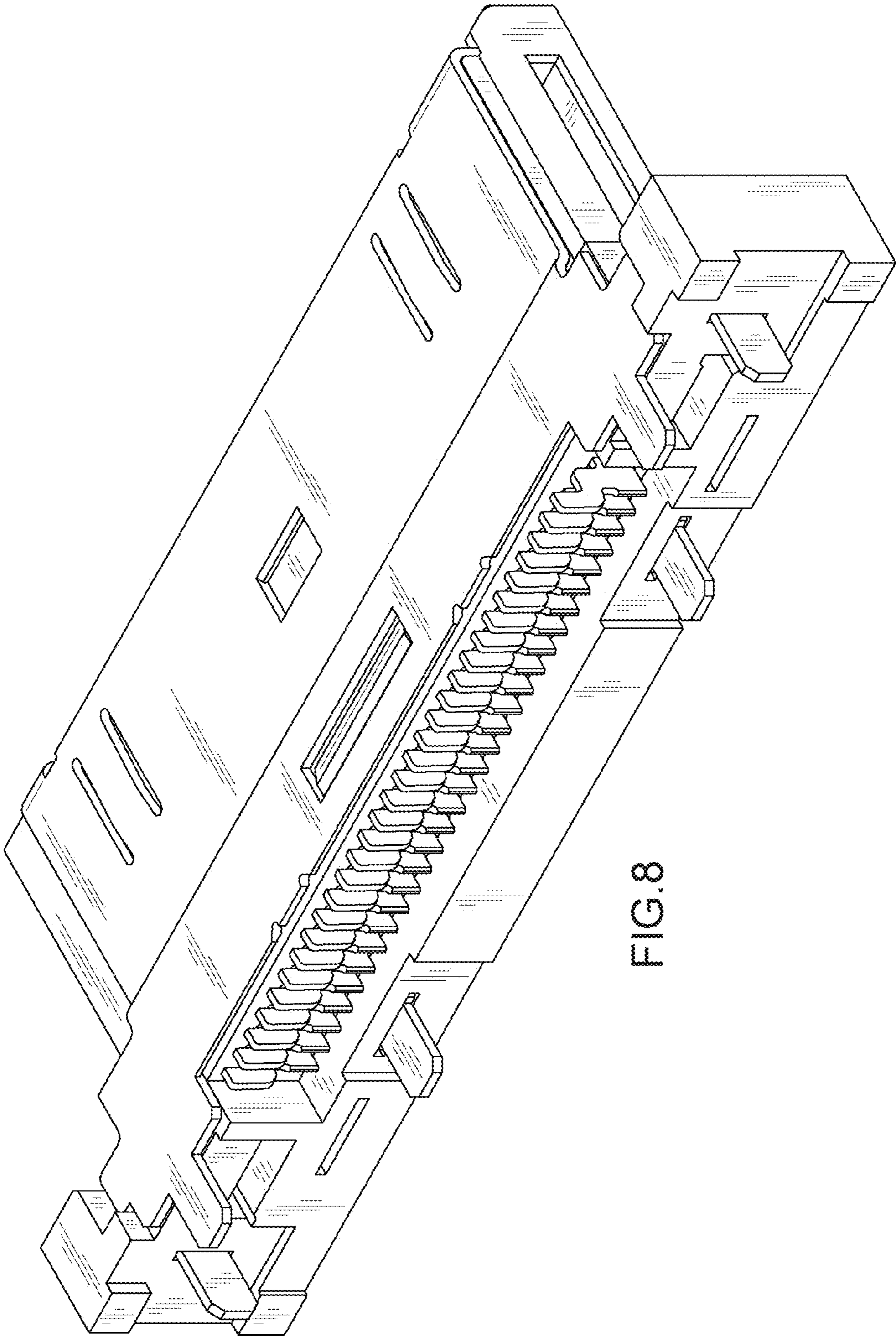


FIG. 8

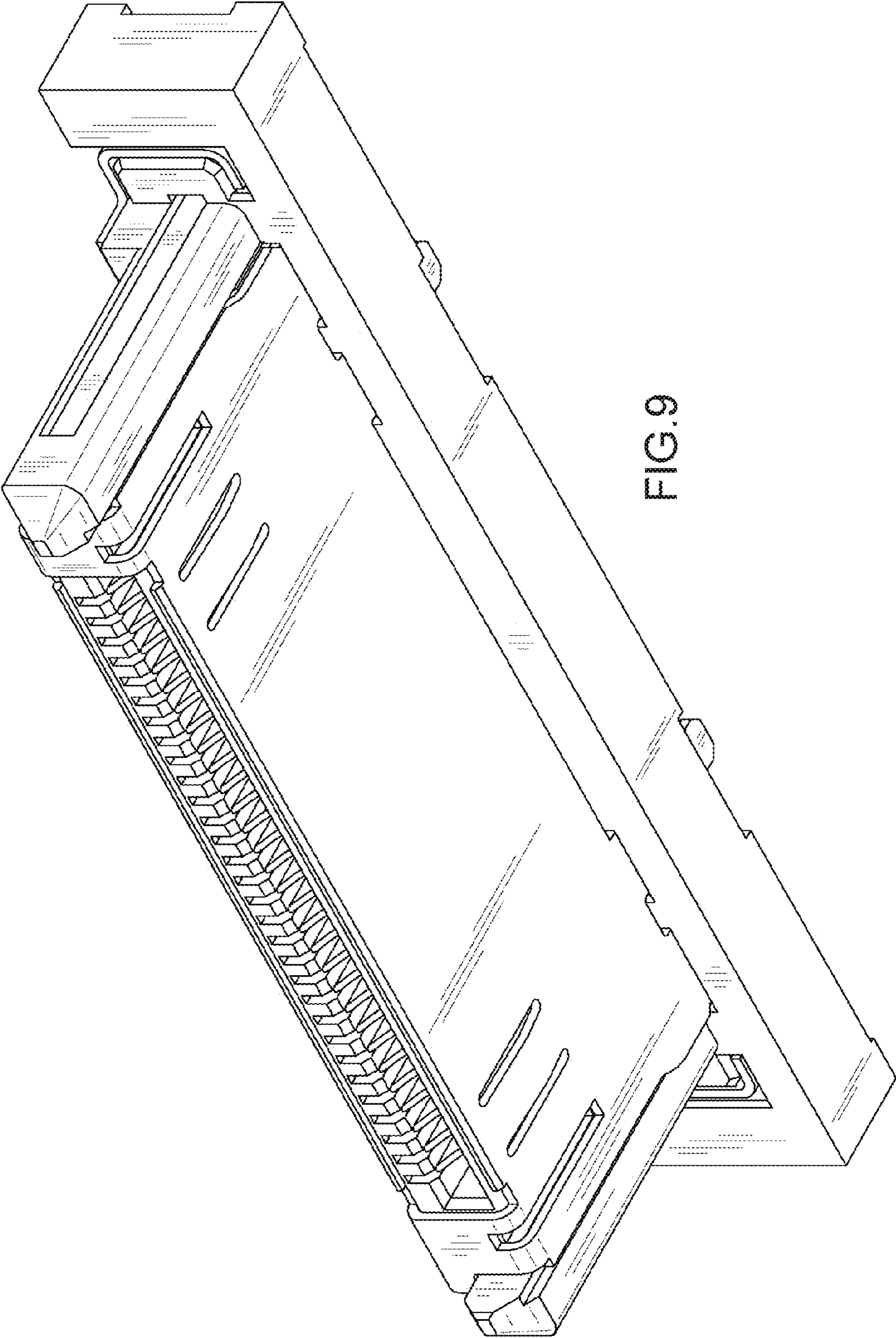


FIG. 9

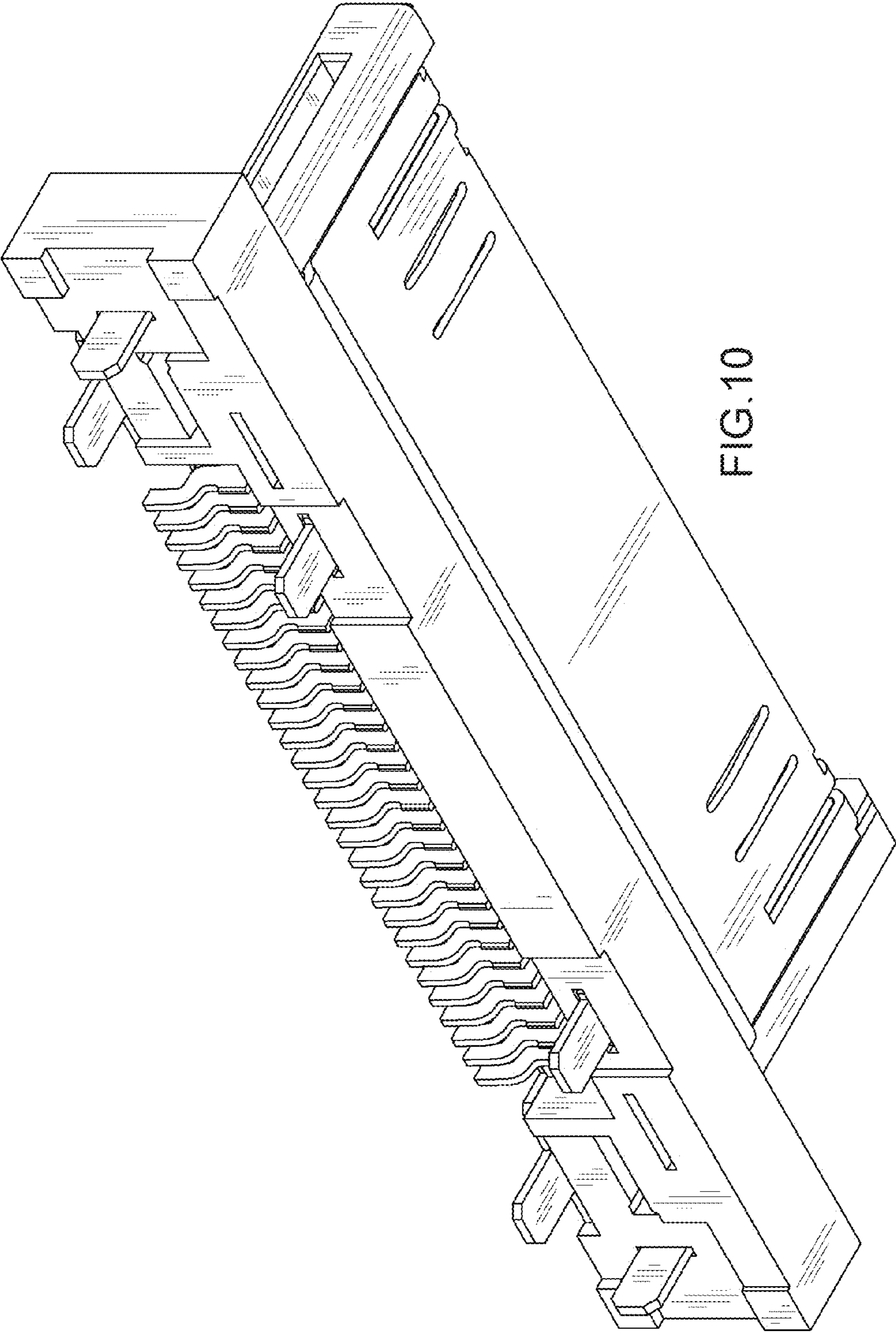


FIG.10