



US00D686574S

(12) **United States Design Patent**
Miller

(10) **Patent No.:** **US D686,574 S**

(45) **Date of Patent:** **** Jul. 23, 2013**

(54) **POWER STRIP ELECTRICAL OUTLET UNIT**

D644,180 S * 8/2011 Lee et al. D13/139.8
D662,056 S * 6/2012 Lee et al. D13/139.8
D663,691 S * 7/2012 Magee, Jr. D13/139.8

(76) Inventor: **Dennis L. Miller**, Bettendorf, IA (US)

* cited by examiner

(**) Term: **14 Years**

Primary Examiner — Robert M Spear

(21) Appl. No.: **29/417,716**

Assistant Examiner — Rhea Shields

(22) Filed: **Apr. 6, 2012**

(74) *Attorney, Agent, or Firm* — Hamilton IP Law, PC; Jay R. Hamilton; Charles A. Damschen

(51) **LOC (9) Cl.** **13-03**

(52) **U.S. Cl.**
USPC **D13/139.8**

(57) **CLAIM**

The ornamental design for a power strip electrical outlet unit, as shown and described.

(58) **Field of Classification Search**

DESCRIPTION

USPC D13/107, 109, 110, 112, 114, 130,
D13/132, 137, 137.1, 137.2, 137.3, 137.4,
D13/138.1, 139.1, 139.2, 139.4, 139.5, 139.7,
D13/139.8, 146, 147, 152, 160, 161, 164,
D13/199

U.S. patent application Ser. No. 13/043,455 filed on Mar. 8, 2011 and U.S. patent application Ser. No. 12/768,724 filed on Apr. 27, 2010.

See application file for complete search history.

FIG. 1 is a front perspective view showing my new design;

FIG. 2 is a front side view thereof;

FIG. 3 is a back side view thereof;

FIG. 4 is a right side view thereof;

FIG. 5 is a left side view thereof;

FIG. 6 is a top side view thereof; and,

FIG. 7 is a bottom side view thereof.

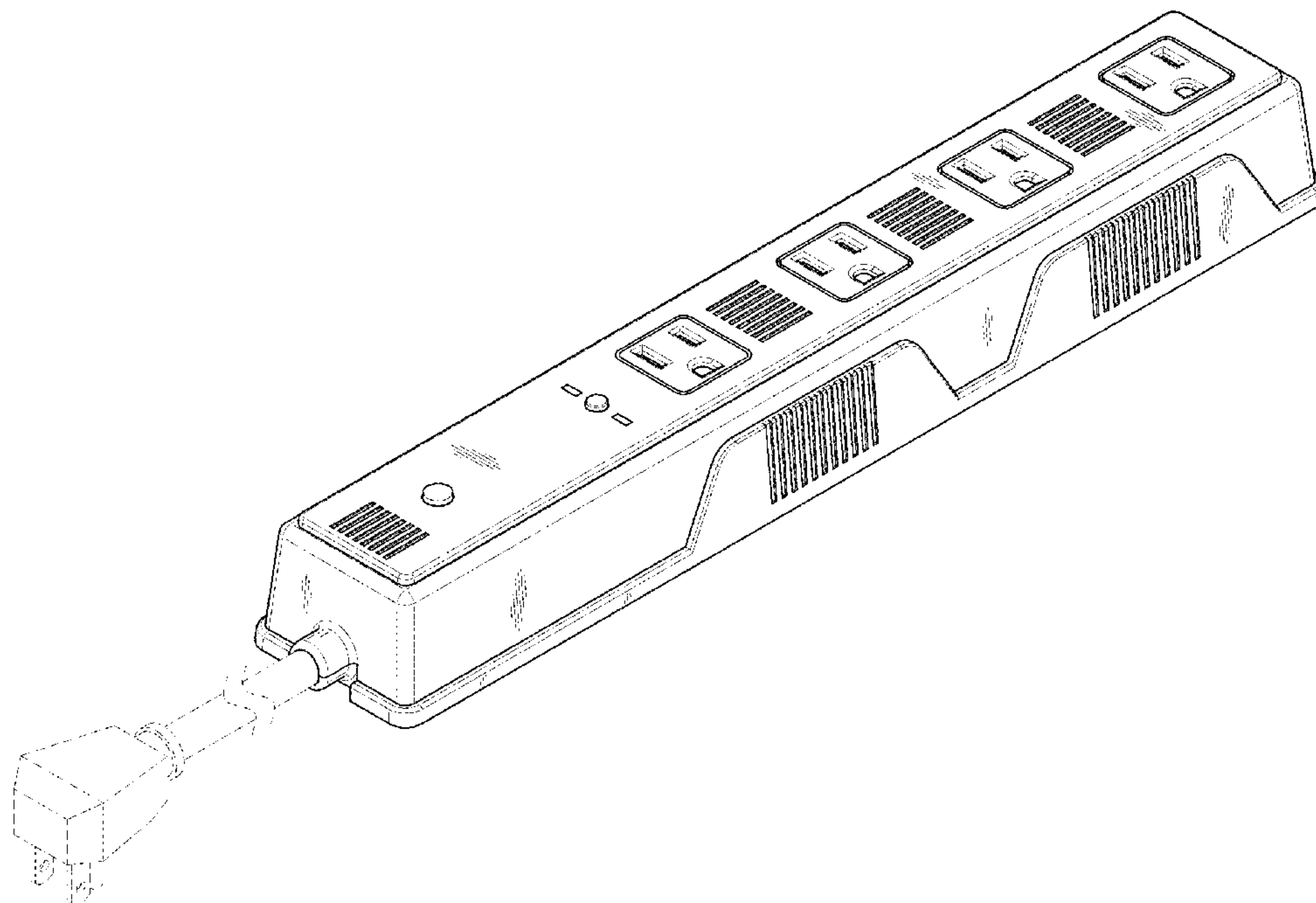
The broken lines in the Figures are for illustrative purposes only and form no part of the claimed design.

(56) **References Cited**

U.S. PATENT DOCUMENTS

D400,505 S * 11/1998 Yu D13/139.6
D402,963 S * 12/1998 Parshad D13/139.6
D535,257 S * 1/2007 Byrne D13/139.4
D537,041 S * 2/2007 Chesebro et al. D13/139.8
D633,045 S * 2/2011 Cullen et al. D13/139.8
D636,345 S * 4/2011 Cullen et al. D13/154
D642,982 S * 8/2011 Shi D13/139.1

1 Claim, 6 Drawing Sheets



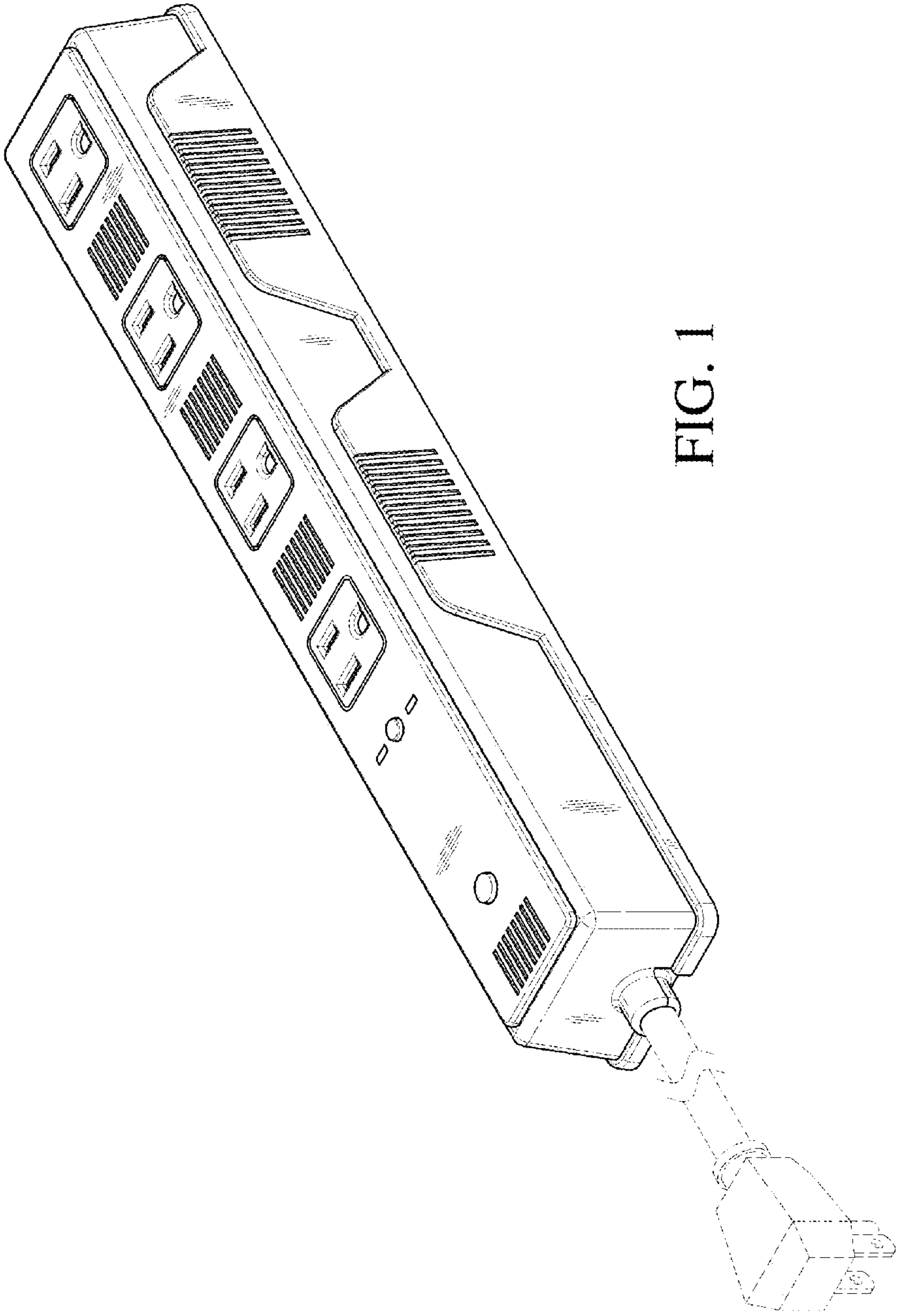


FIG. 1

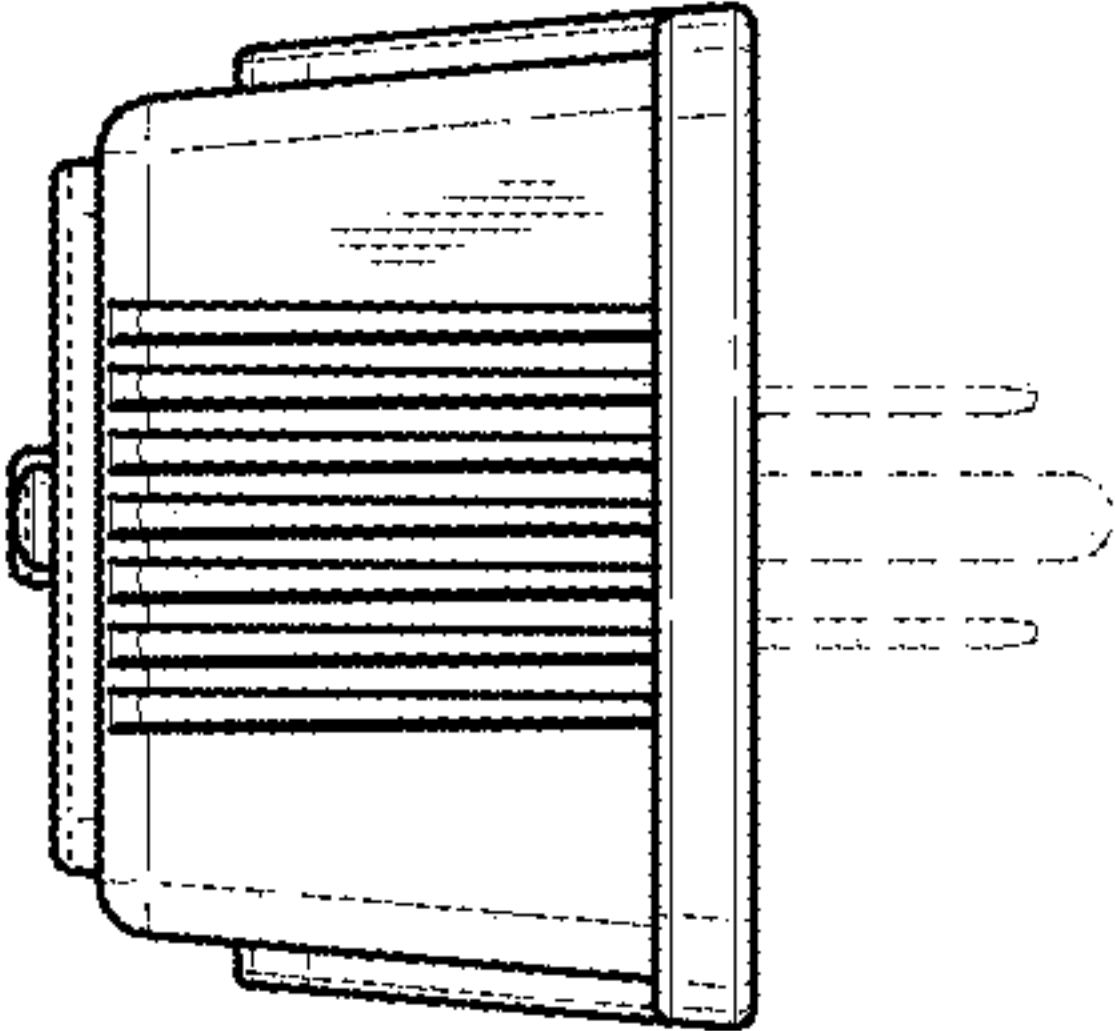


FIG. 3

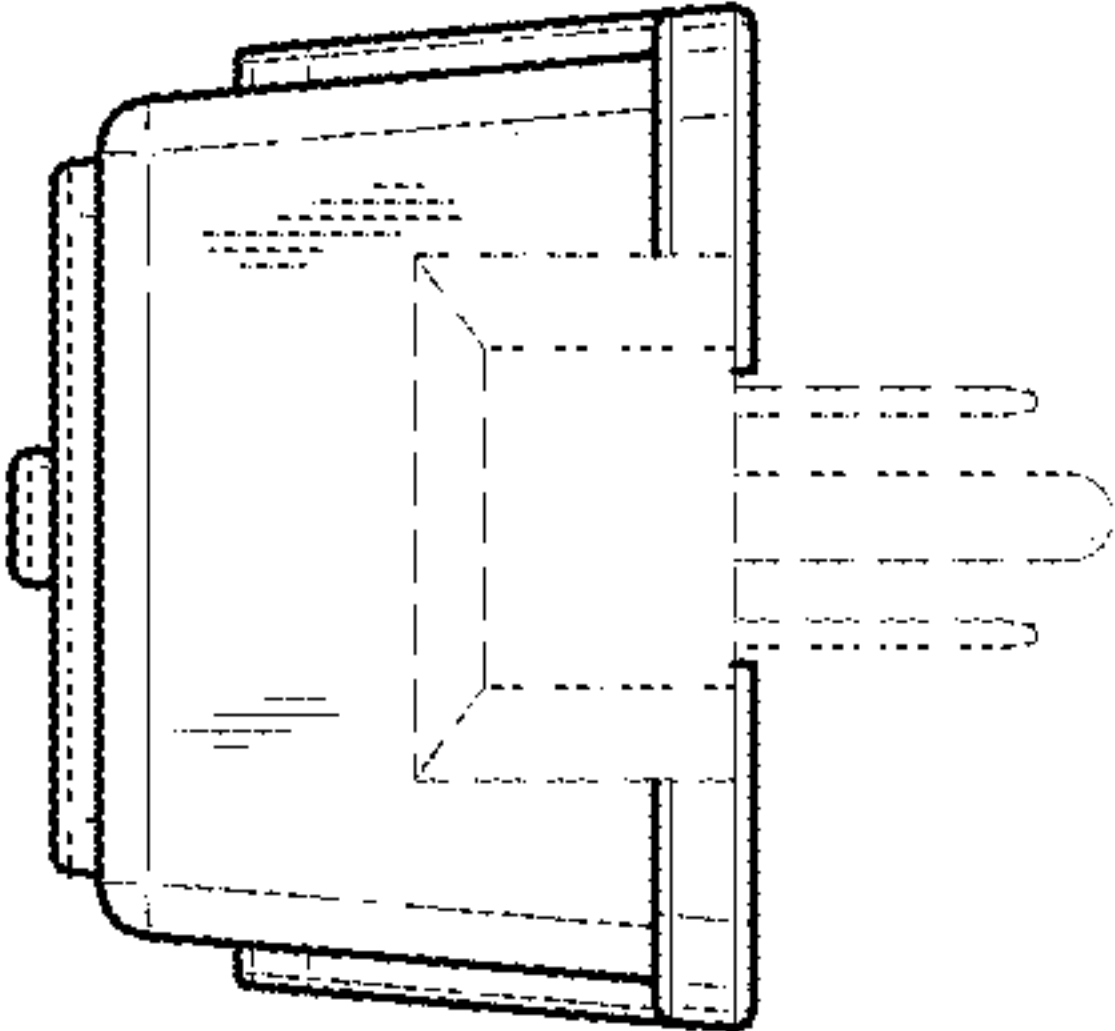


FIG. 2

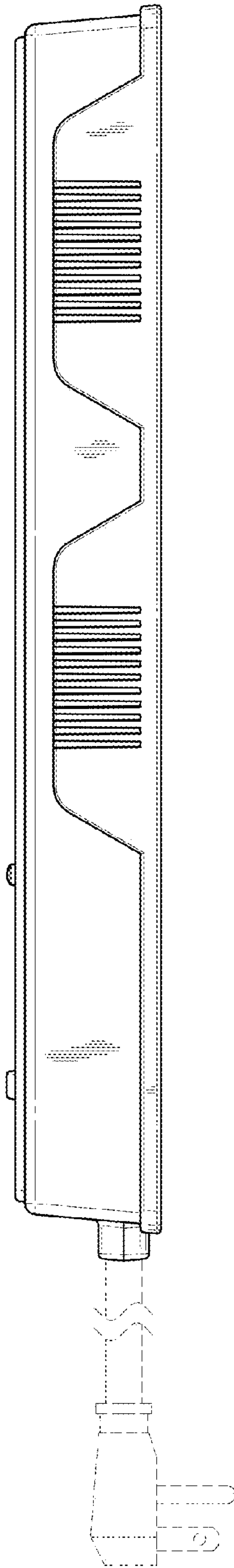


FIG. 4

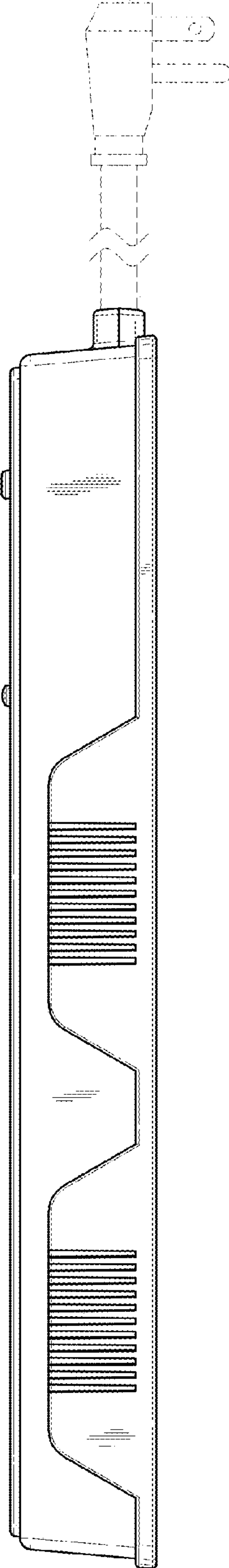


FIG. 5

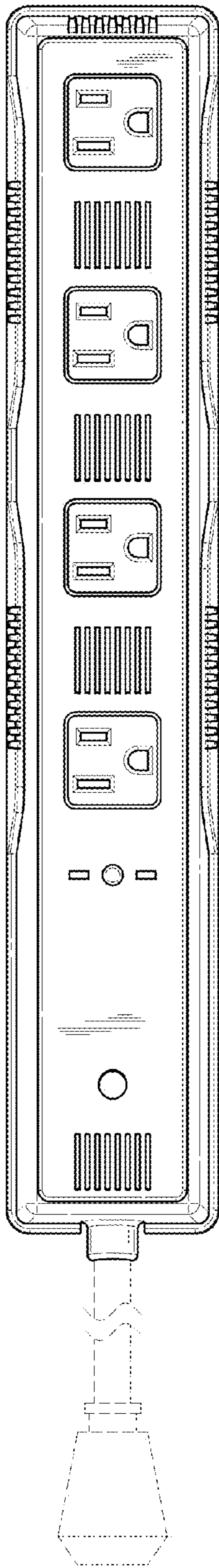


FIG. 6

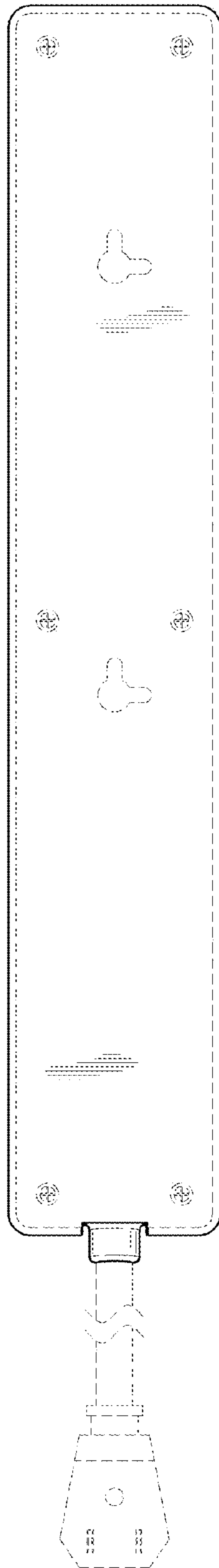


FIG. 7