



US00D686573S

(12) **United States Design Patent**
Wu

(10) **Patent No.:** **US D686,573 S**
(45) **Date of Patent:** **** Jul. 23, 2013**

(54) **MAIN HOUSING FOR OPTICAL
SUB-ASSEMBLY FOR TRANSCEIVERS**

D536,302 S * 2/2007 Hayashi et al. D13/133
D594,415 S * 6/2009 Shitakata D13/133
2007/0230878 A1* 10/2007 Nakazawa et al. 385/92

(75) Inventor: **Chin-Tsung Wu**, Taipei (TW)

* cited by examiner

(73) Assignee: **Ezconn Corporation**, Taipei (TW)

Primary Examiner — Derrick Holland

(**) Term: **14 Years**

(74) *Attorney, Agent, or Firm* — Muncy, Geissler, Olds & Lowe, PLLC

(21) Appl. No.: **29/391,700**

(22) Filed: **May 12, 2011**

(51) **LOC (9) Cl.** **16-99**

(52) **U.S. Cl.**
USPC **D13/130; D13/133**

(58) **Field of Classification Search**
USPC D13/133, 123, 134, 147, 151, 154,
D13/155, 184, 199; D10/46; D16/100, 130,
D16/136, 245; D23/262; 348/804; 356/73,
356/73.1, 319, 321; 385/89, 90, 91, 92, 121;
396/428

See application file for complete search history.

(56) **References Cited**

U.S. PATENT DOCUMENTS

D304,904 S * 12/1989 Kercher D8/380
D343,889 S * 2/1994 Stonecypher D23/263
D389,802 S * 1/1998 Vernon D13/147
D418,109 S * 12/1999 Lok D13/133
D475,014 S * 5/2003 Kano D13/133
D534,492 S * 1/2007 Oohira D13/123

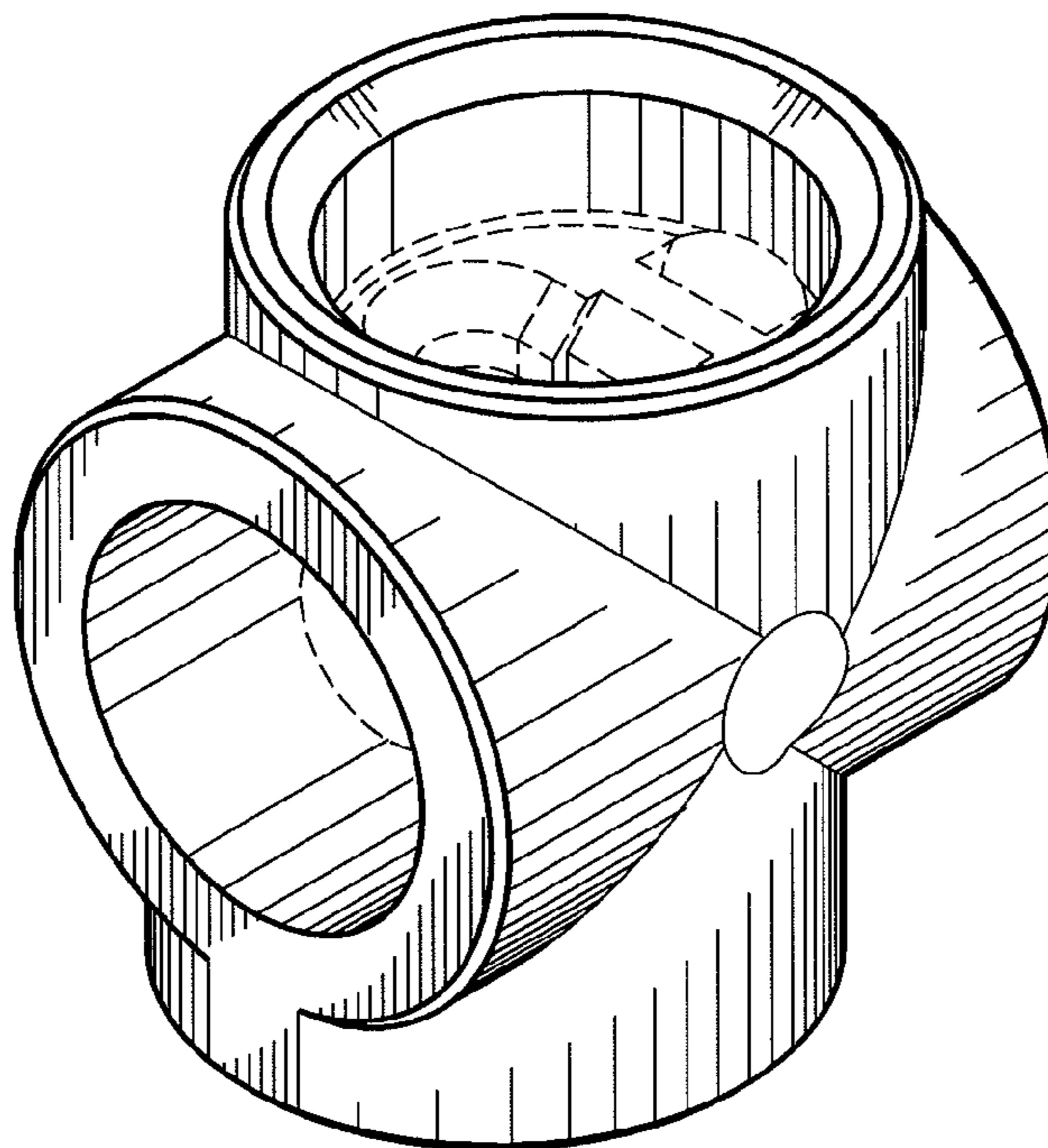
(57) **CLAIM**

The ornamental design for a main housing for optical sub-assembly for transceivers, as shown and described.

DESCRIPTION

FIG. 1 is a top, front and left perspective view of a main housing for optical sub-assembly for transceivers showing my design;
FIG. 2 is a front elevation view thereof;
FIG. 3 is a rear elevation view thereof;
FIG. 4 is a left side elevation view thereof;
FIG. 5 is a right side elevation view thereof;
FIG. 6 is a top plan view thereof;
FIG. 7 is a bottom plan view thereof; and,
FIG. 8 is a bottom, rear and right perspective view thereof.
The broken line showing of the main housing for the optical sub-assembly for transceivers is for the purpose of illustrating environmental structure and forms no part of the claimed design.

1 Claim, 5 Drawing Sheets



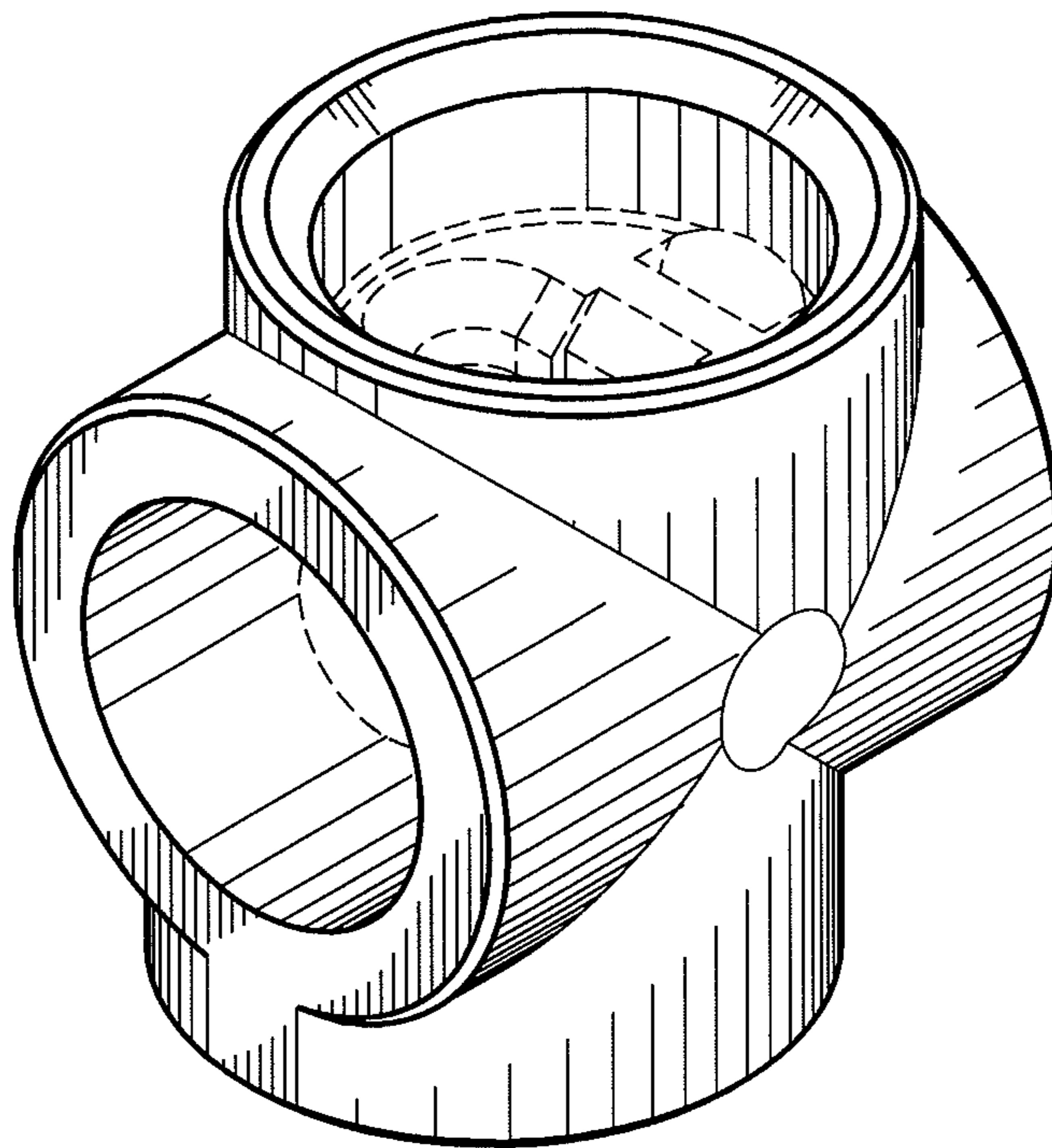


FIG.1

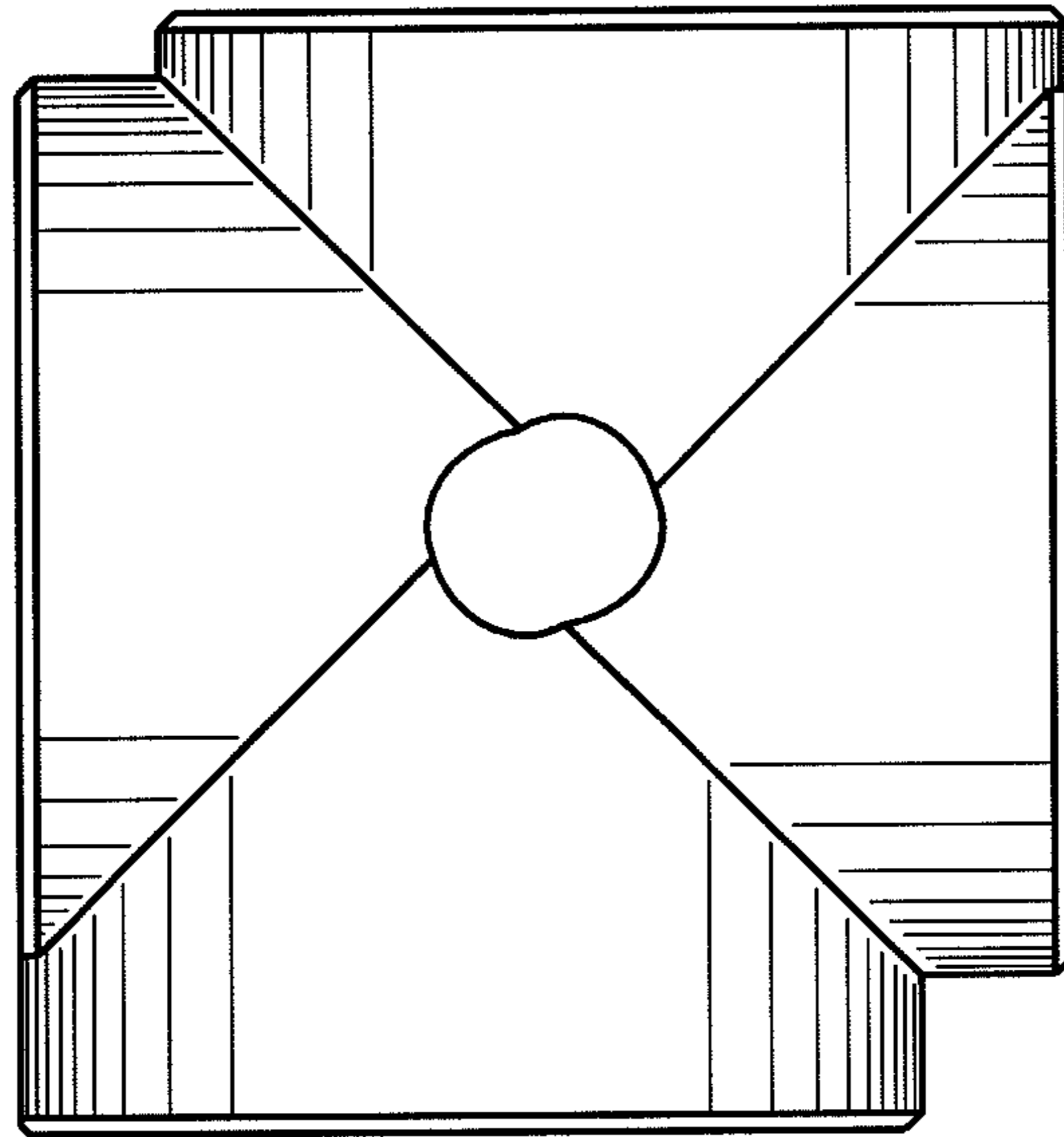


FIG. 2

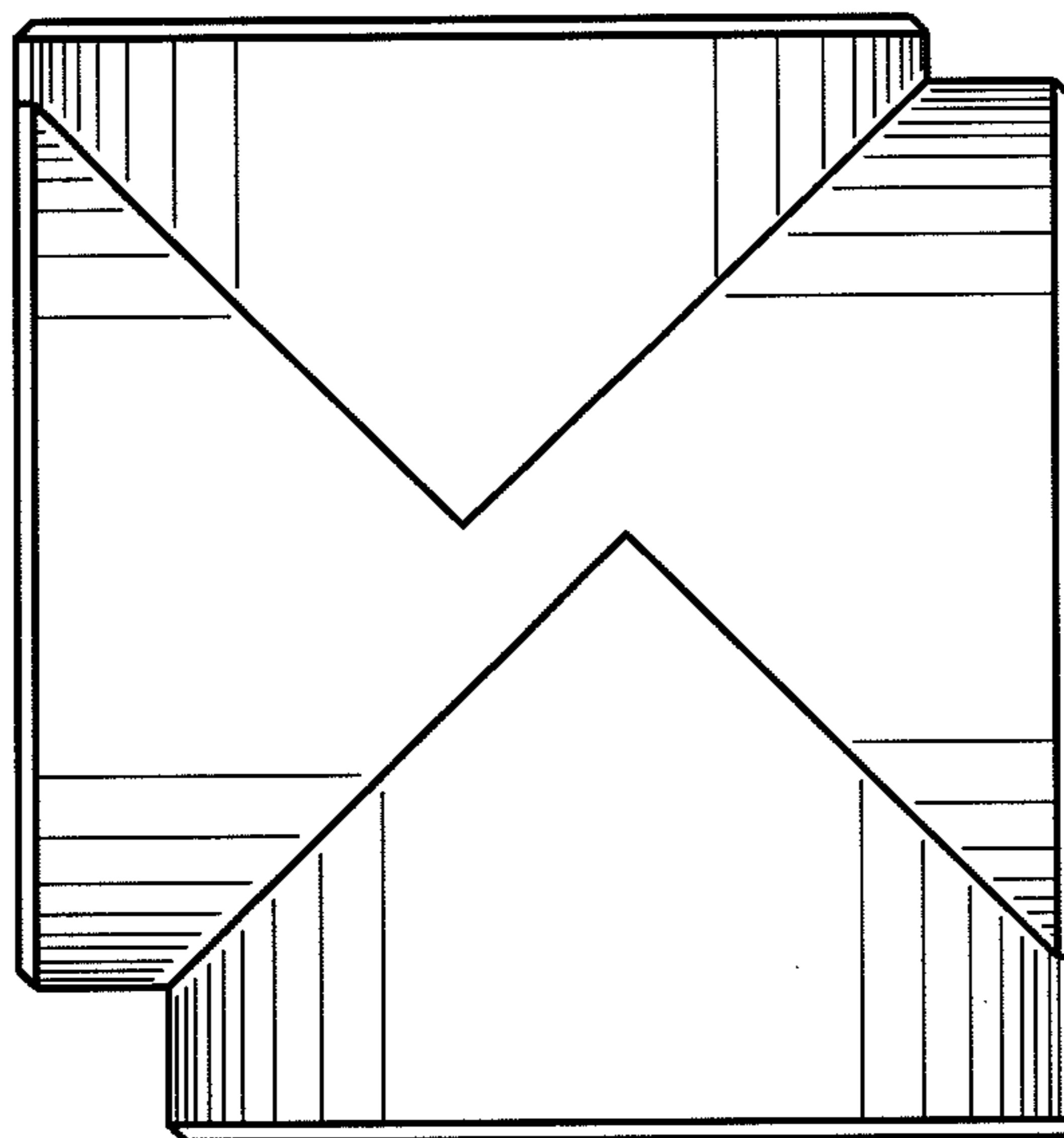


FIG. 3

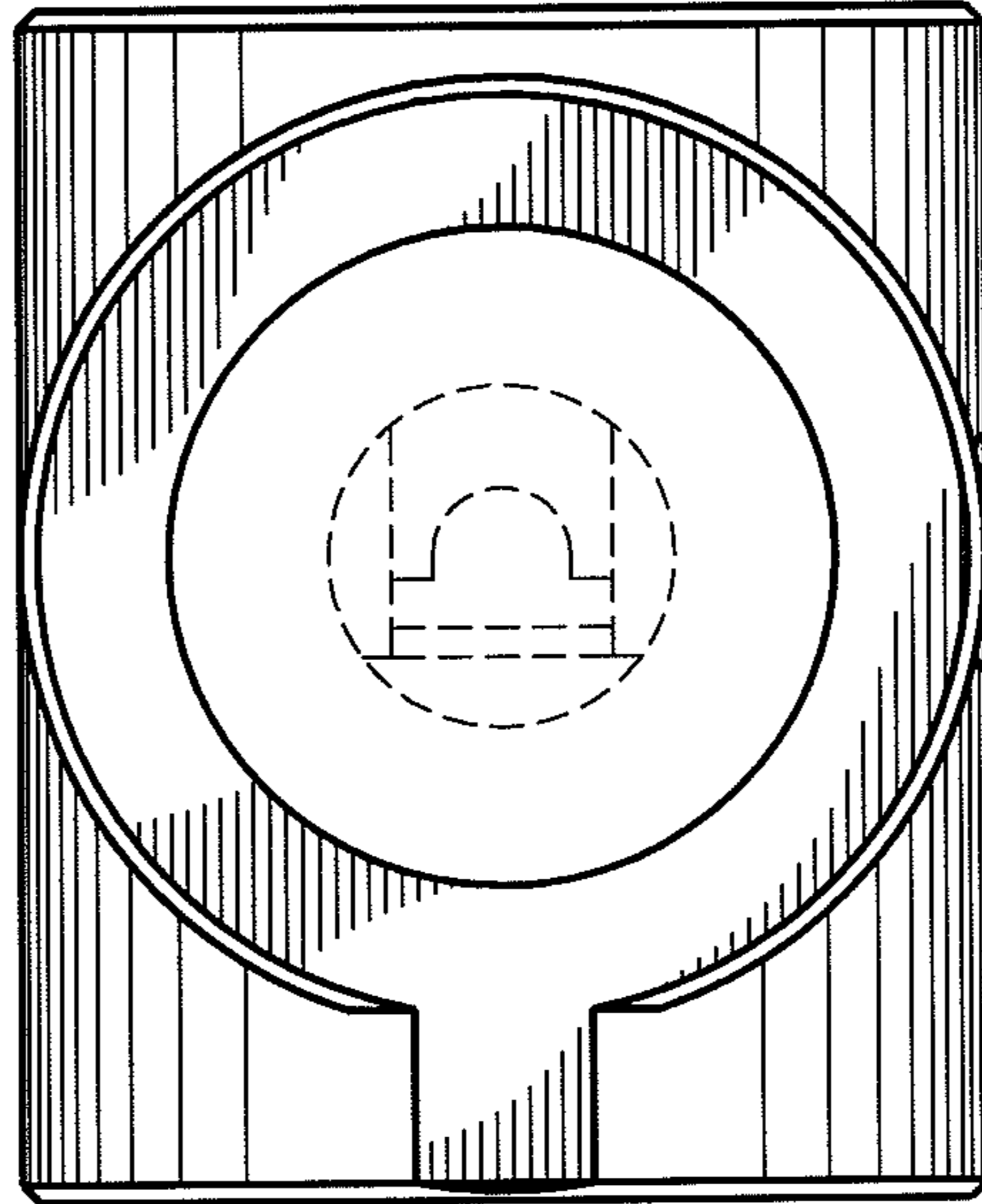


FIG. 4

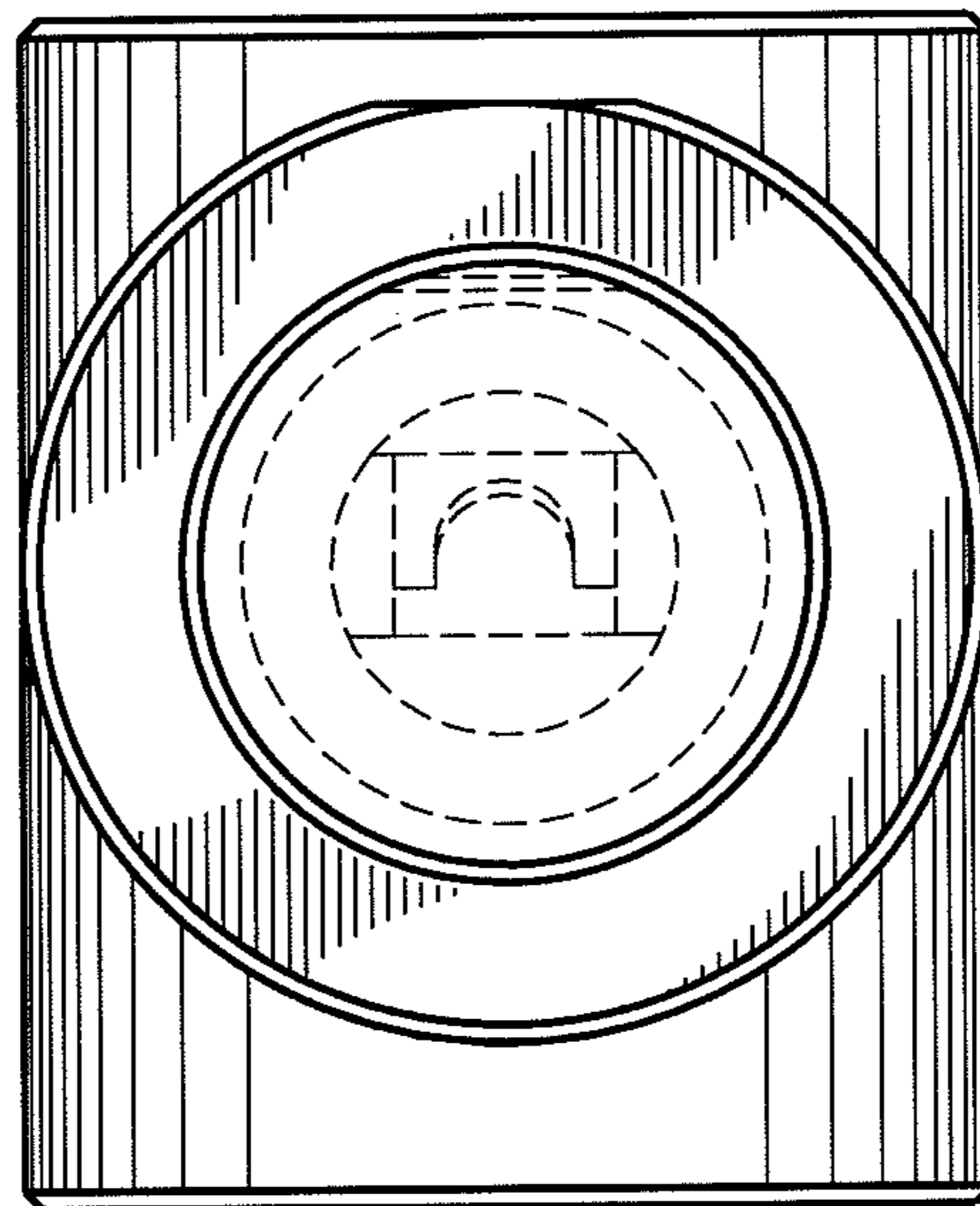


FIG. 5

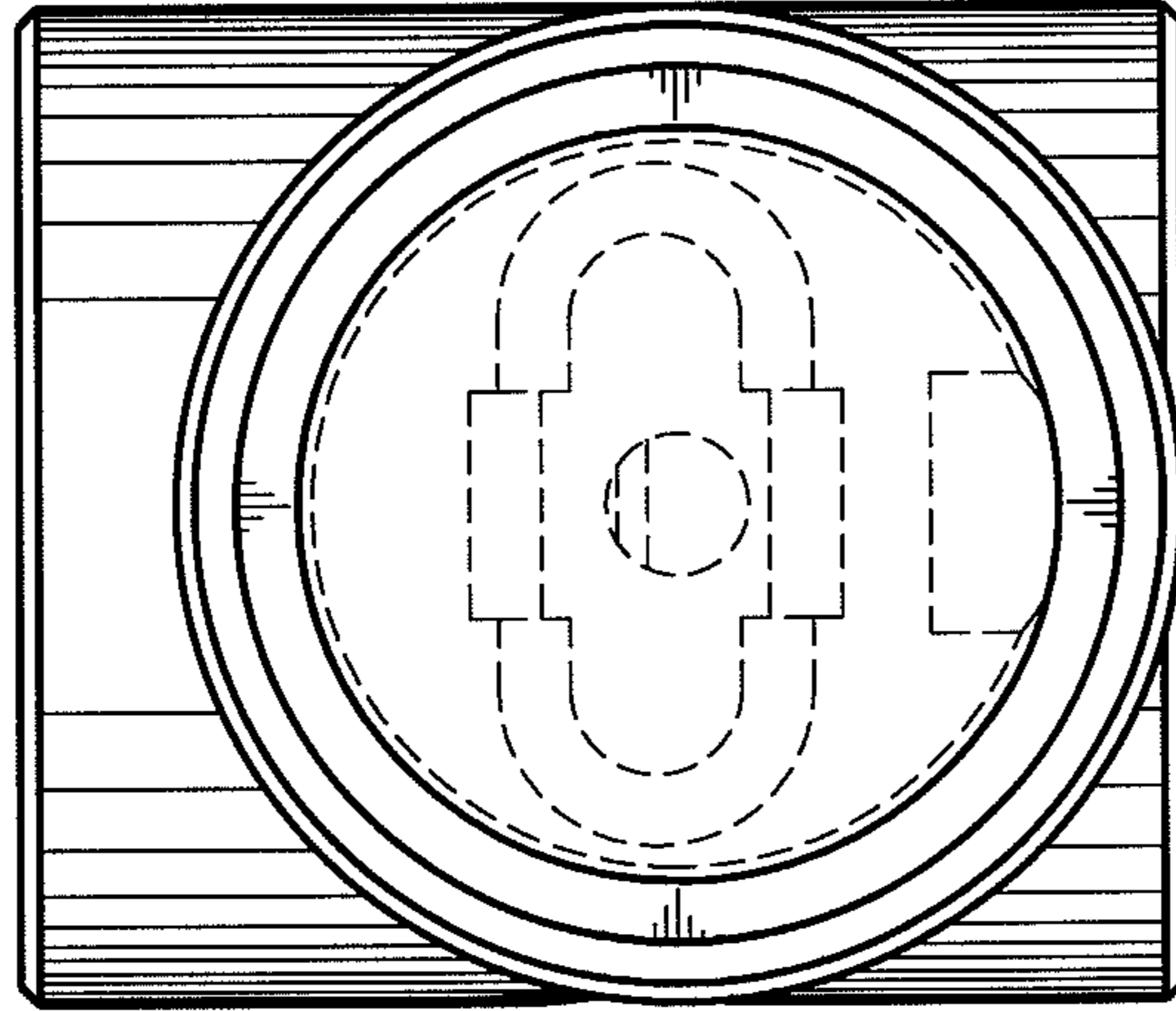


FIG. 6

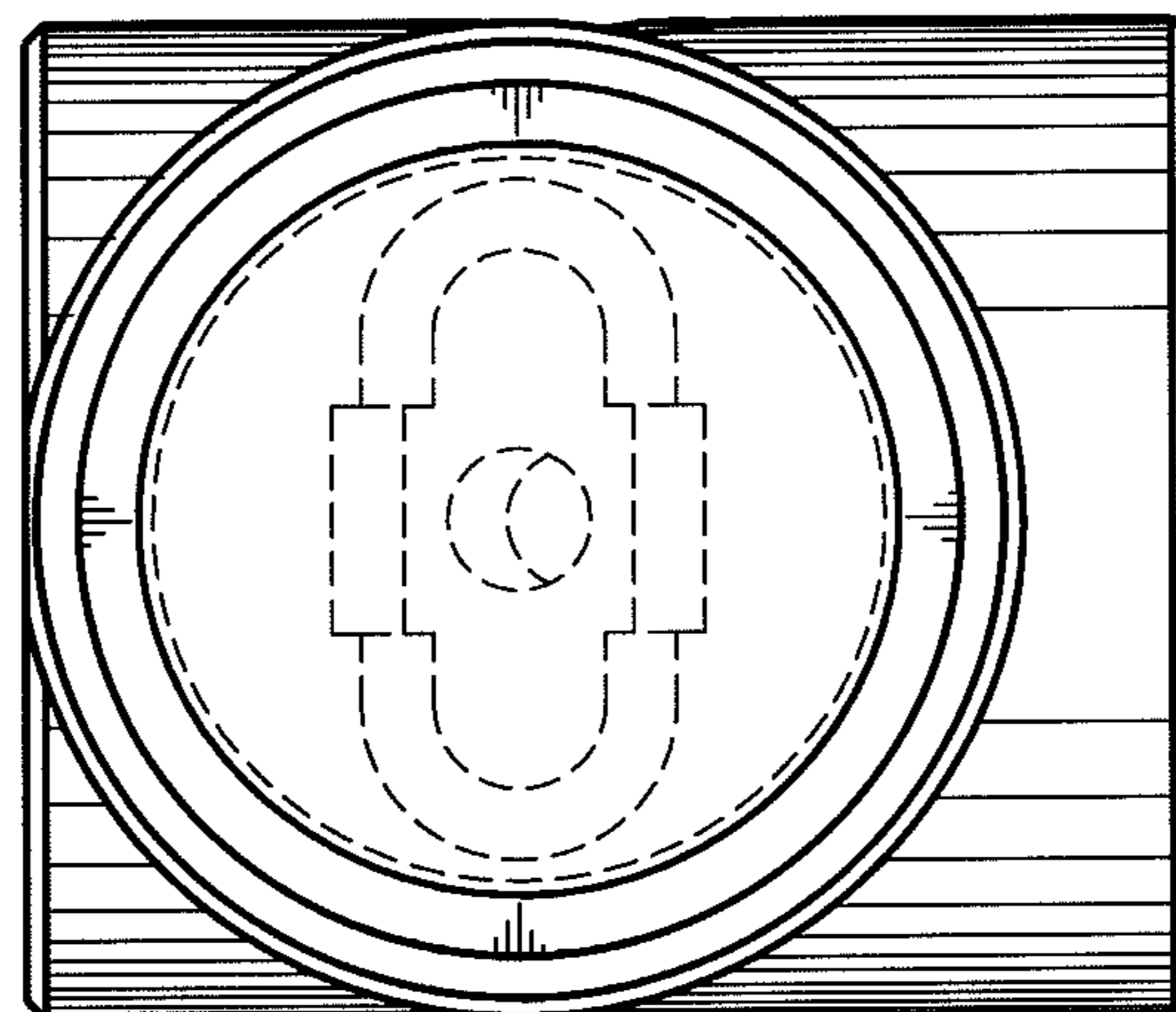


FIG. 7

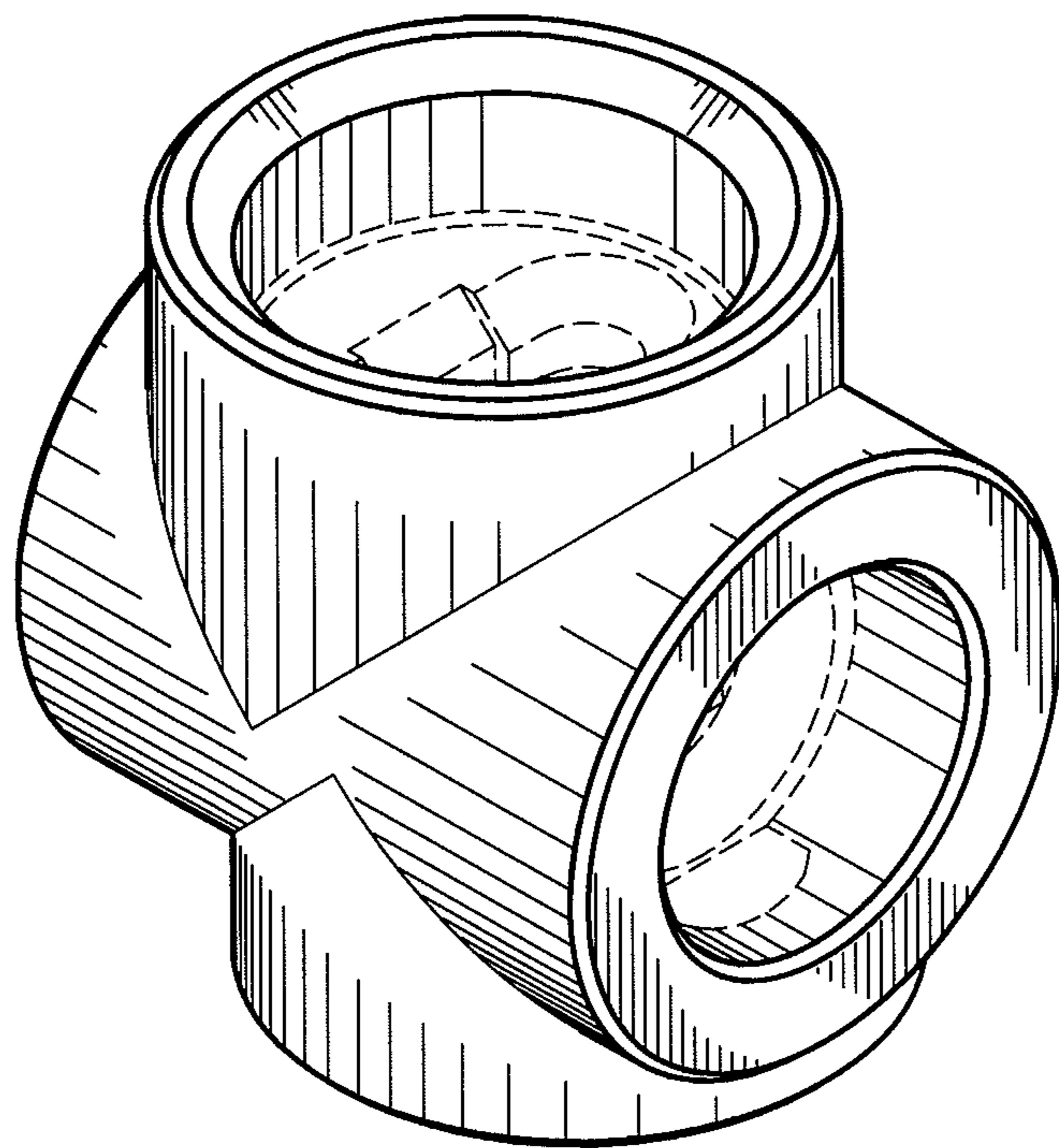


FIG.8