



US00D686572S

(12) **United States Design Patent**
Loya

(10) **Patent No.:** **US D686,572 S**
(45) **Date of Patent:** **** Jul. 23, 2013**

(54) **ENERGY SAVING, ELECTRICAL CAPACITANCE DEVICE**
(76) Inventor: **Rami Loya**, Potomac, MD (US)
(**) Term: **14 Years**
(21) Appl. No.: **29/425,148**
(22) Filed: **Jun. 20, 2012**
(51) **LOC (9) Cl.** **13-02**
(52) **U.S. Cl.**
USPC **D13/124; D13/108**
(58) **Field of Classification Search**
USPC D13/107-110, 118-119, 123-125,
D13/184, 199; D14/217, 251, 253, 432, 434;
320/107-115; 324/600; 321/271, 287, 290,
321/300, 301.1; 323/304, 305, 312, 313
See application file for complete search history.

D541,804 S * 5/2007 Chatterjee et al. D14/408
D555,590 S * 11/2007 Dong D13/110
D676,849 S * 2/2013 Kujawski et al. D14/408
2007/0159133 A1 * 7/2007 Kang et al. 320/107
2013/0043830 A1 * 2/2013 Lin 320/107

* cited by examiner

Primary Examiner — Rosemary K Tarcza
(74) *Attorney, Agent, or Firm* — Loya Consulting Group, LLC.; Rami Loya

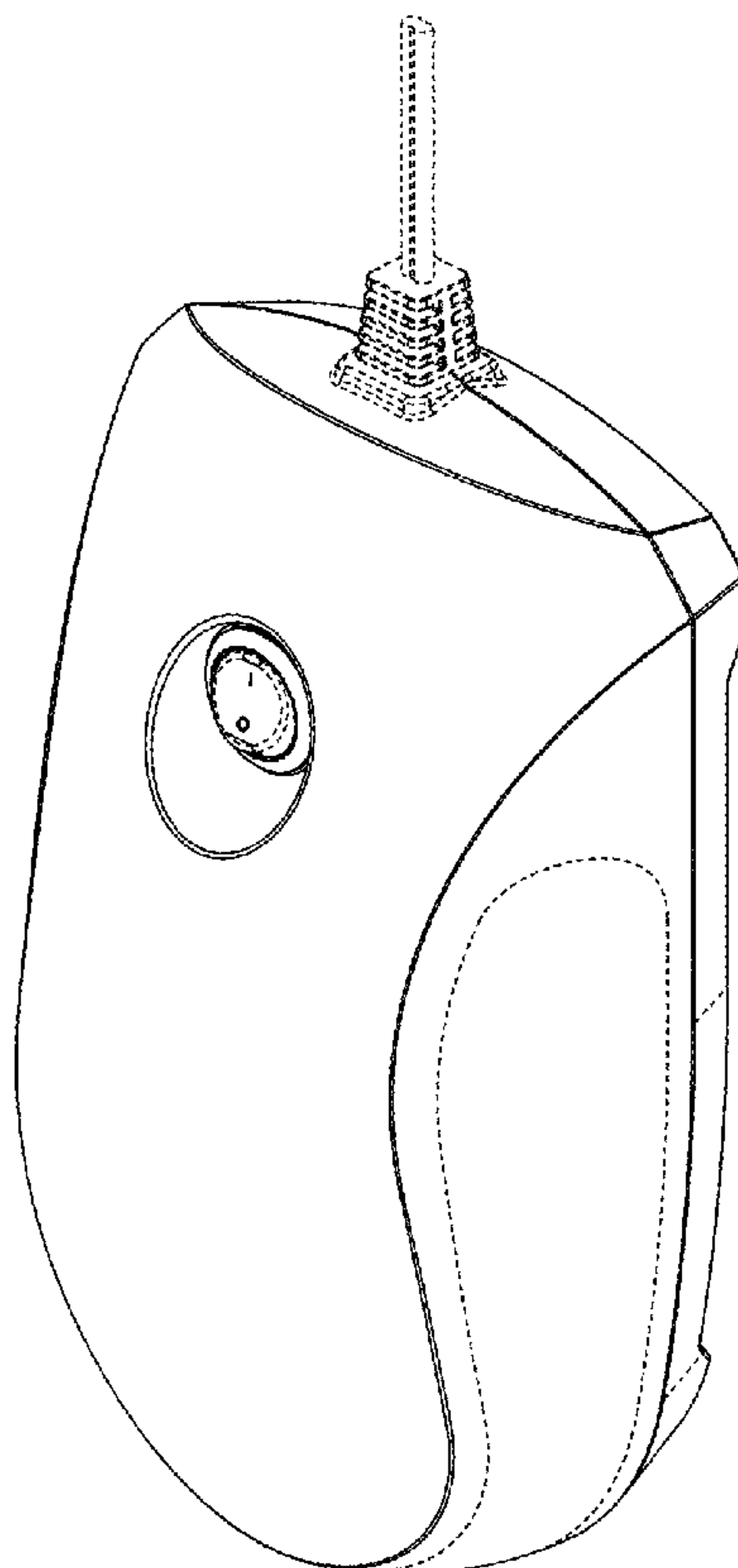
(57) **CLAIM**
I claim the ornamental design for an energy saving, electrical capacitance device, as shown and described herein.

DESCRIPTION

FIG. 1 is a front view of the present invention;
FIG. 2 is a top view of the present invention;
FIG. 3 is a right side view of the present invention;
FIG. 4 is a bottom view of the present invention;
FIG. 5 is a rear view of the present invention;
FIG. 6 is a left side view of the present invention;
FIG. 7 is a top, perspective view of the present invention; and,
FIG. 8 is a bottom, perspective view of the present invention.
The broken lines shown in the drawings are included for the purpose of illustrating environmental structure and form no part of the claimed design.

(56) **References Cited**
U.S. PATENT DOCUMENTS
D136,317 S * 9/1943 Debrey D13/124
D392,945 S * 3/1998 Barry et al. D13/168
D414,483 S * 9/1999 Cox et al. D14/402
D435,554 S * 12/2000 Meredith D14/402
D436,595 S * 1/2001 Suzuki D14/432
D443,857 S * 6/2001 Kwalick, Jr. D13/110
D496,048 S * 9/2004 Chen D14/432

1 Claim, 3 Drawing Sheets



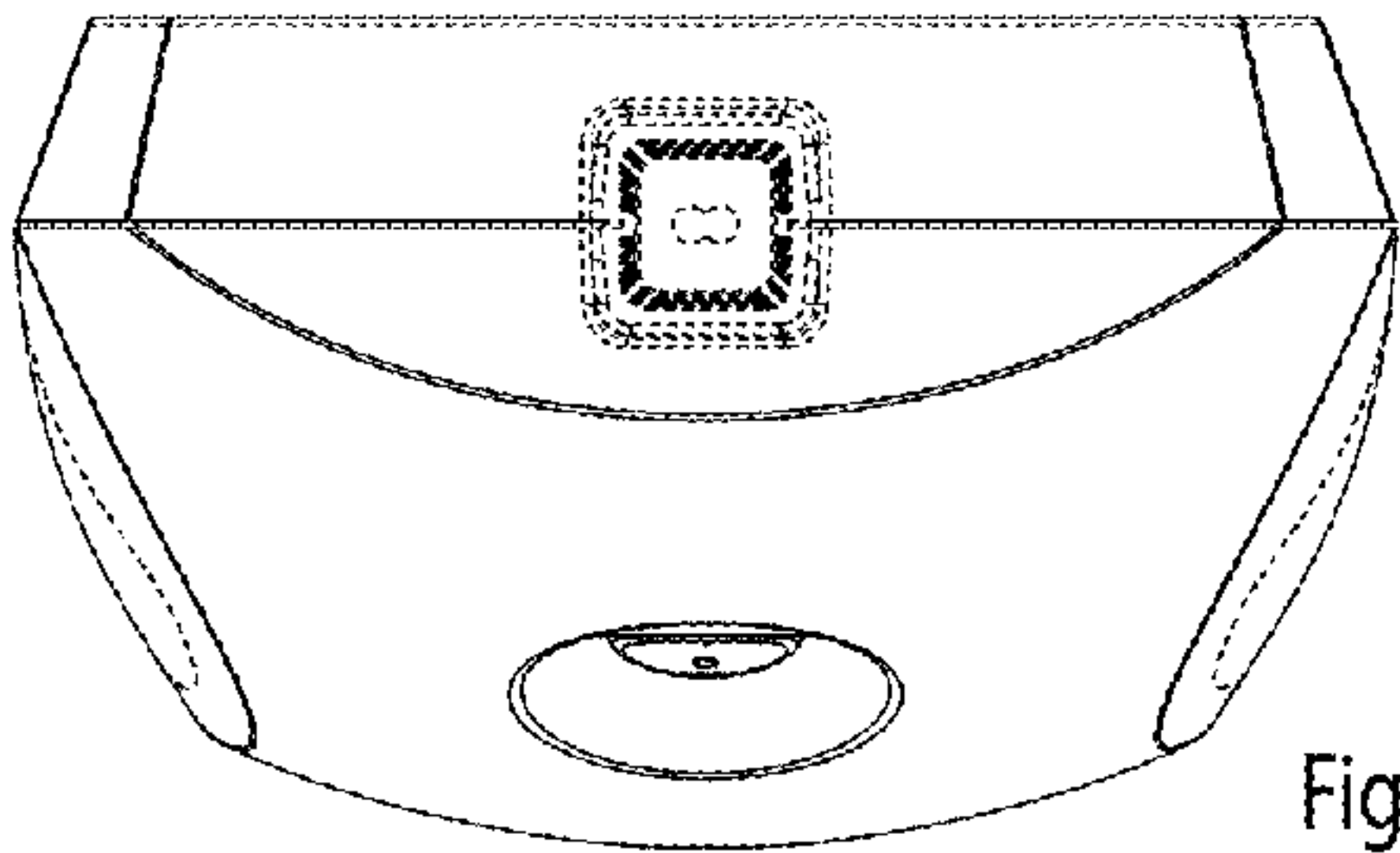


Fig-1

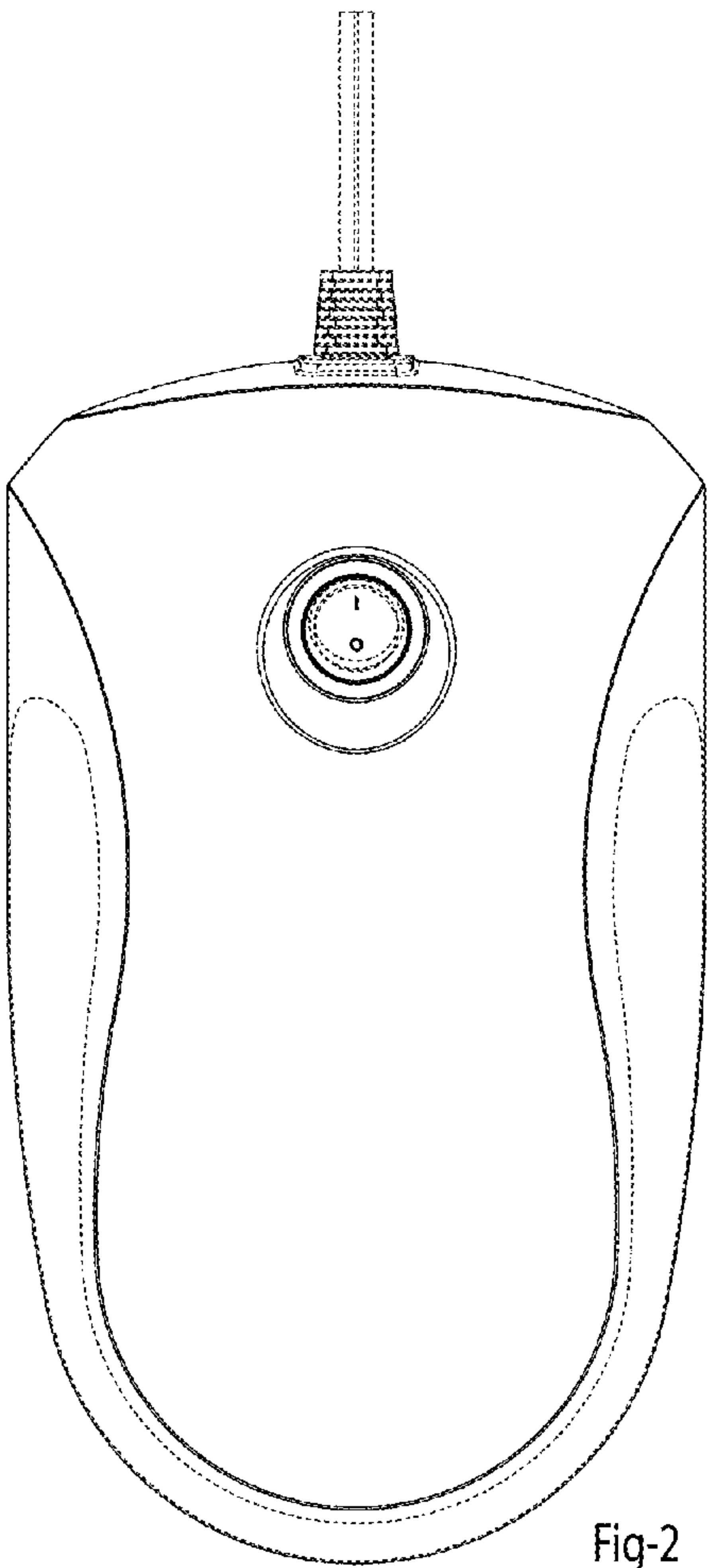


Fig-2

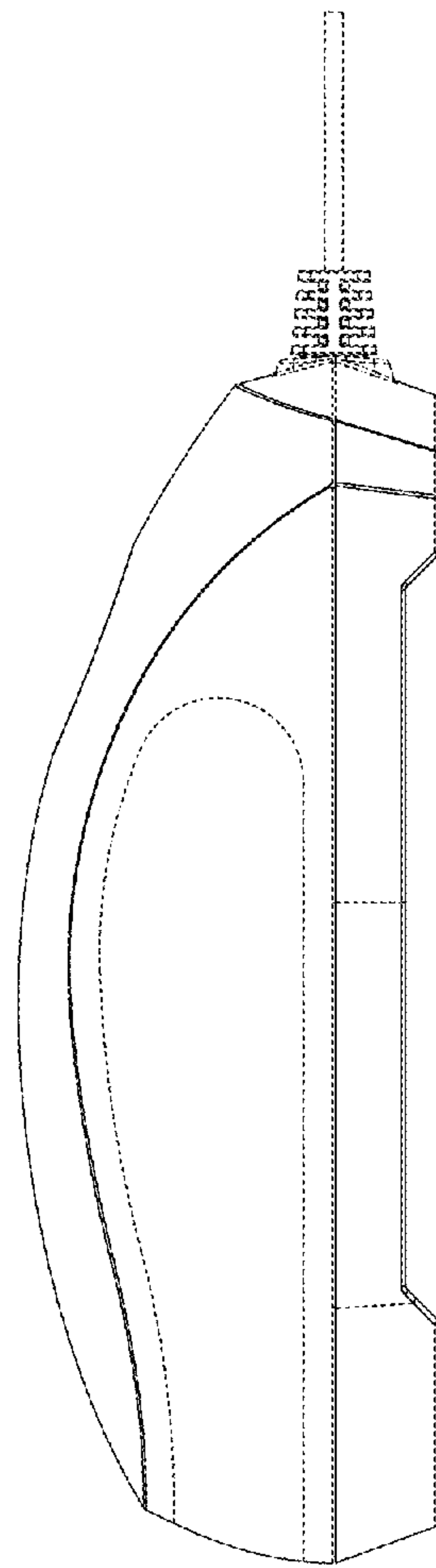


Fig-3

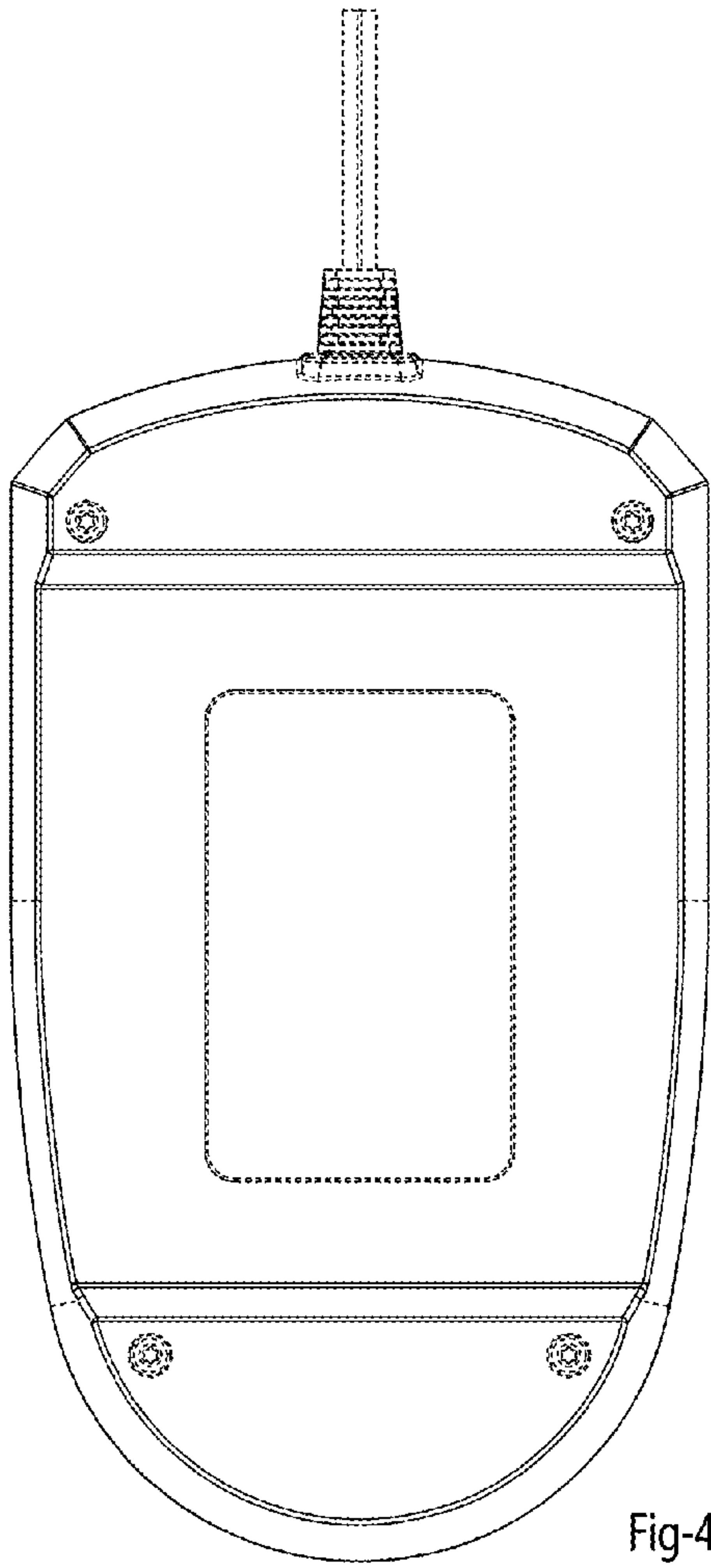


Fig-4

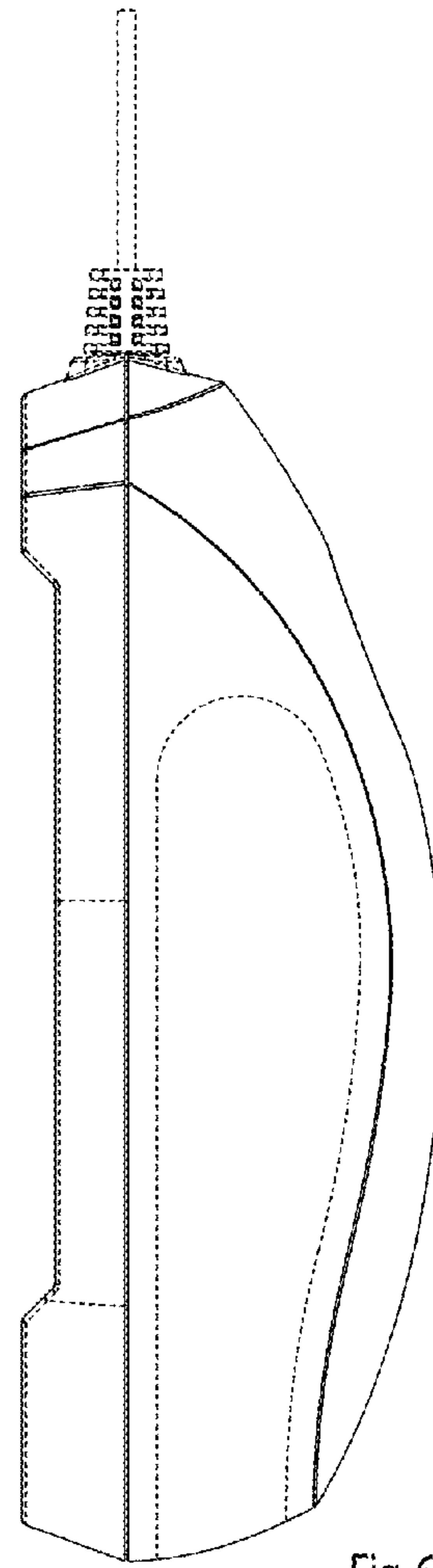


Fig-6

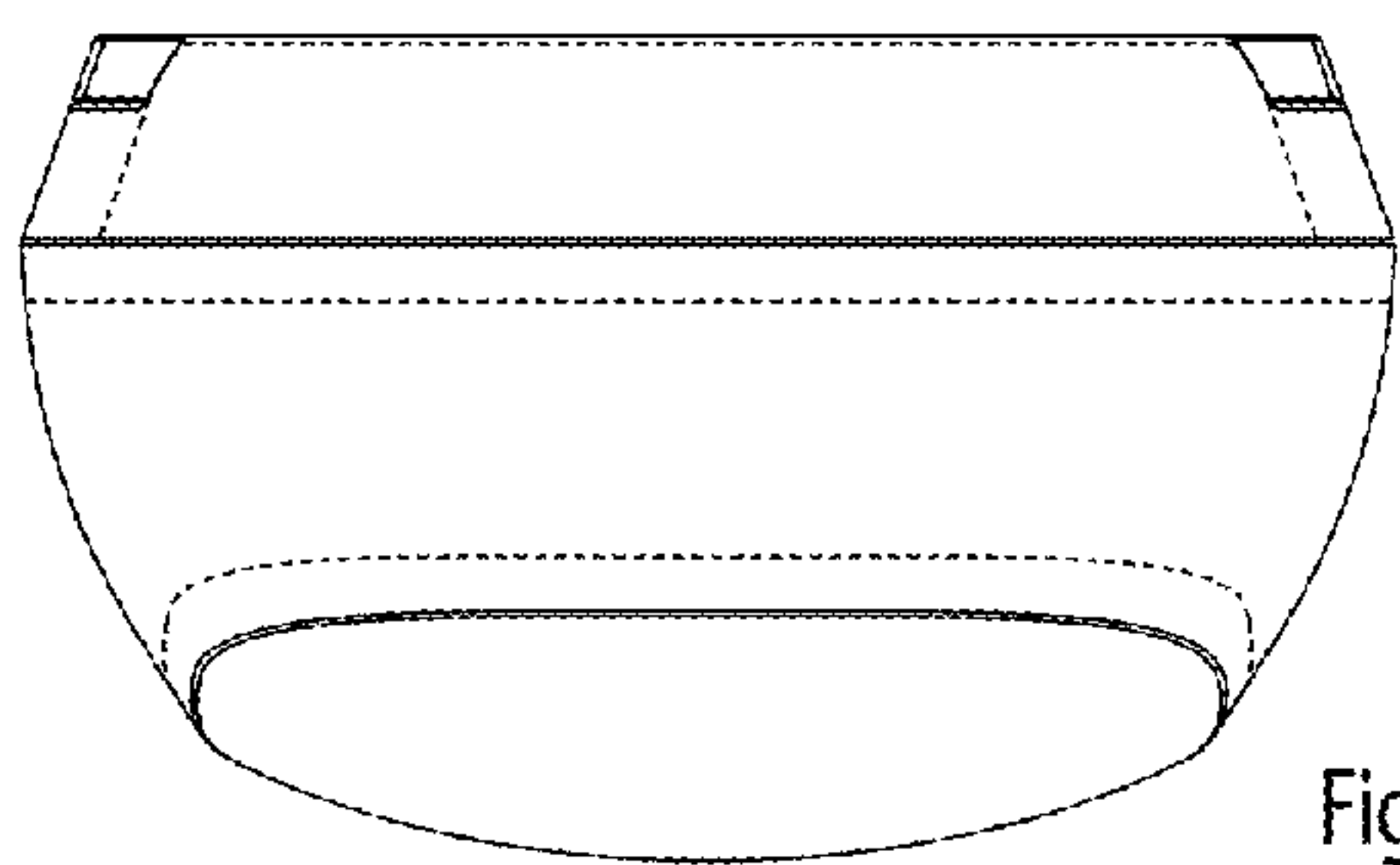


Fig-5

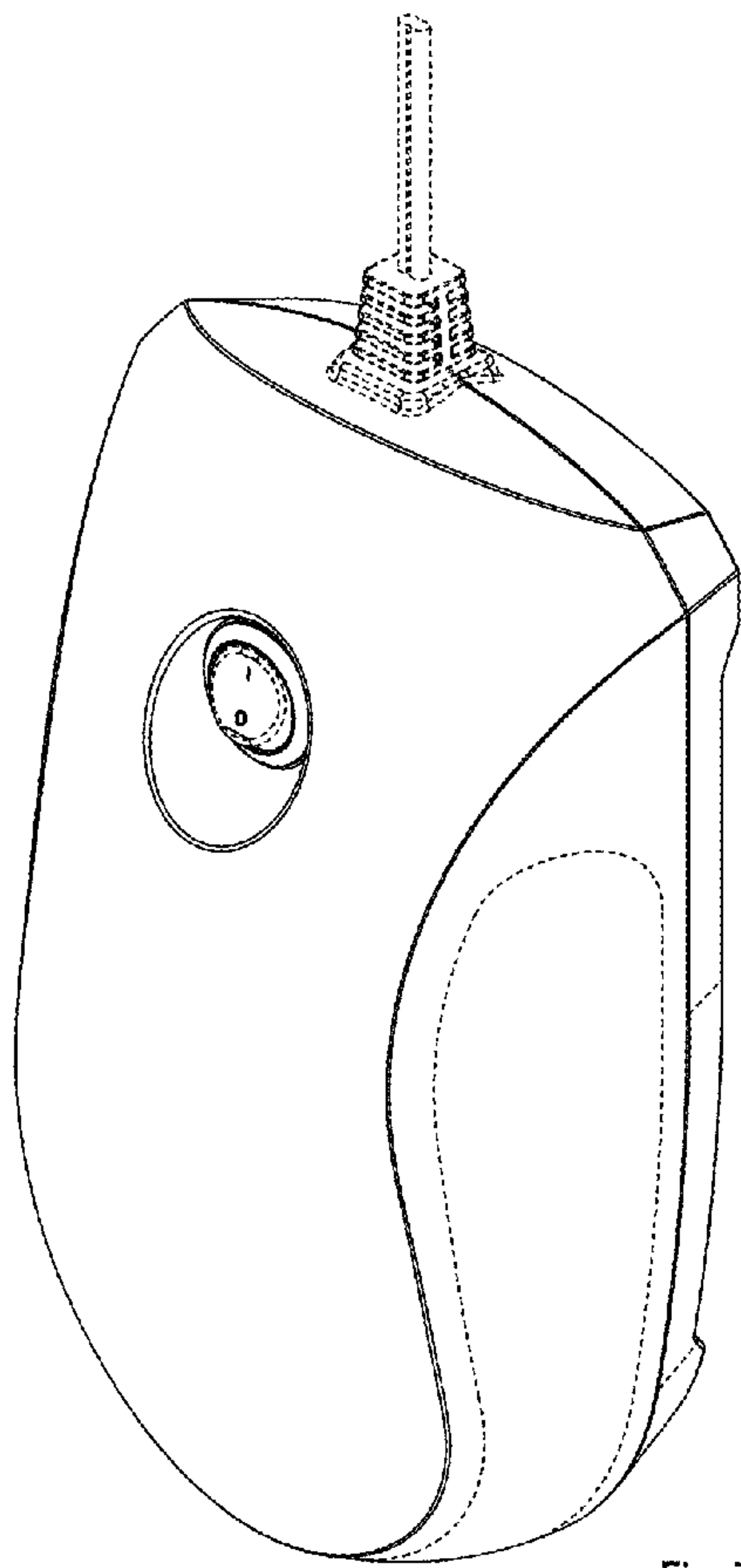


Fig-7

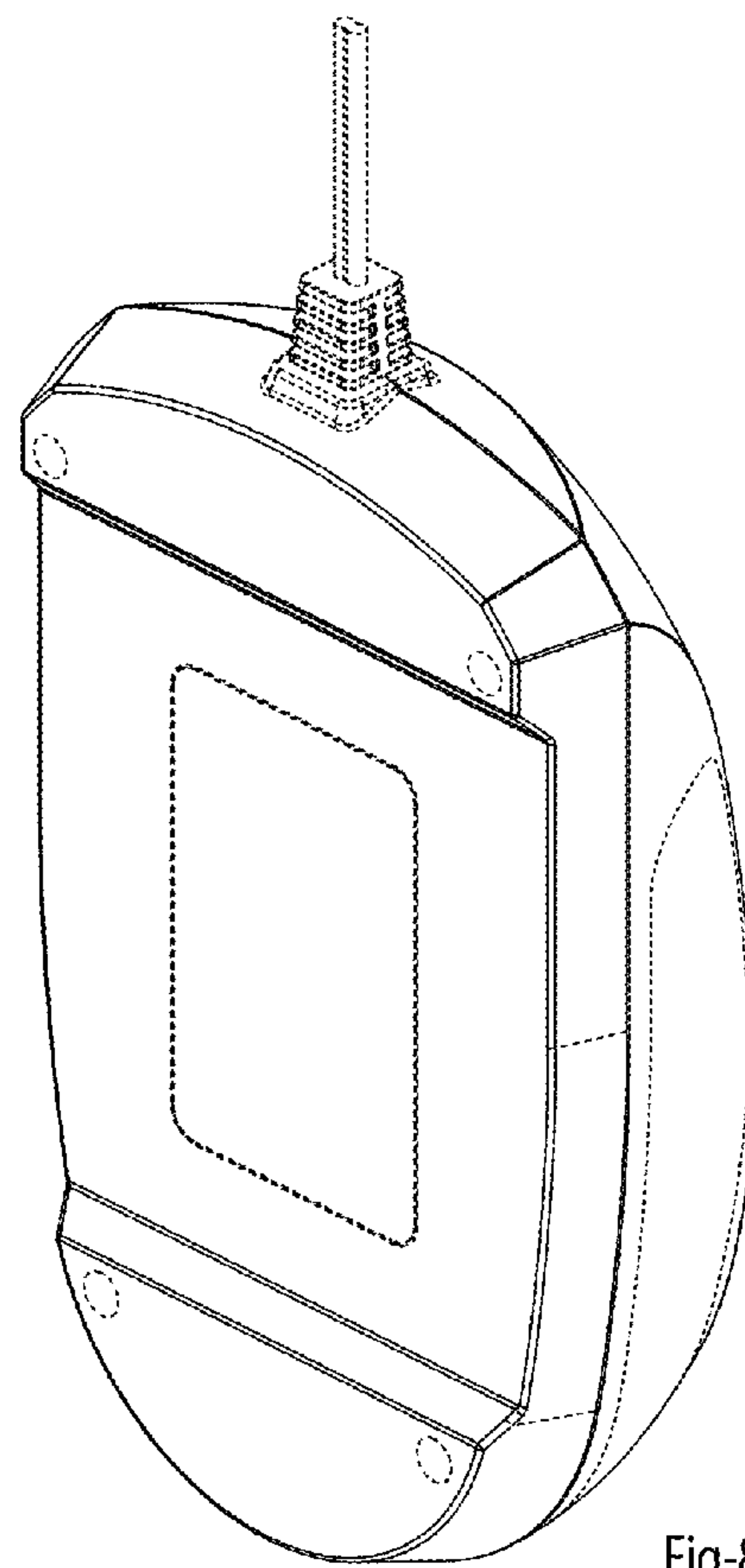


Fig-8