



US00D686571S

(12) **United States Design Patent**
Hoyle

(10) **Patent No.:** **US D686,571 S**

(45) **Date of Patent:** **** Jul. 23, 2013**

(54) **THERMOELECTRIC GENERATOR FOR
POWERING AN EXTERNAL ELECTRICALLY
OPERATED DEVICE**

(71) Applicant: **Richard Hoyle**, Clarkston, MI (US)

(72) Inventor: **Richard Hoyle**, Clarkston, MI (US)

(73) Assignee: **Tellurex Corporation**, Traverse City, MI
(US)

(**) Term: **14 Years**

(21) Appl. No.: **29/439,416**

(22) Filed: **Dec. 11, 2012**

Related U.S. Application Data

(63) Continuation-in-part of application No. 29/420,519,
filed on May 10, 2012, now abandoned.

(51) **LOC (9) Cl.** **13-01**

(52) **U.S. Cl.**
USPC **D13/114**

(58) **Field of Classification Search**

USPC D13/114, 112, 113, 116, 122, 184,
D13/199; D15/1, 5; 290/36 R, 38 R, 39; 310/10,
310/20, 40 R, 40 MM, 42, 68 D, 75 R, 80,
310/83, 88, 89, 98, 109, 114

See application file for complete search history.

(56) **References Cited**

U.S. PATENT DOCUMENTS

D136,109 S	8/1943	Findley	
D173,758 S	12/1954	Kerr	
4,055,778 A	10/1977	Binder	
4,244,098 A *	1/1981	Barcus	29/596
D259,039 S *	4/1981	Weldon et al.	D13/114
D325,560 S *	4/1992	Baines	D13/112
D337,752 S	7/1993	Mathews	
D384,033 S	9/1997	Takeda et al.	
D603,793 S	11/2009	Lindberg	
D618,170 S	6/2010	Miller	

* cited by examiner

Primary Examiner — Derrick Holland

(74) *Attorney, Agent, or Firm* — Flynn, Thiel, Boutell &
Tanis, P.C.

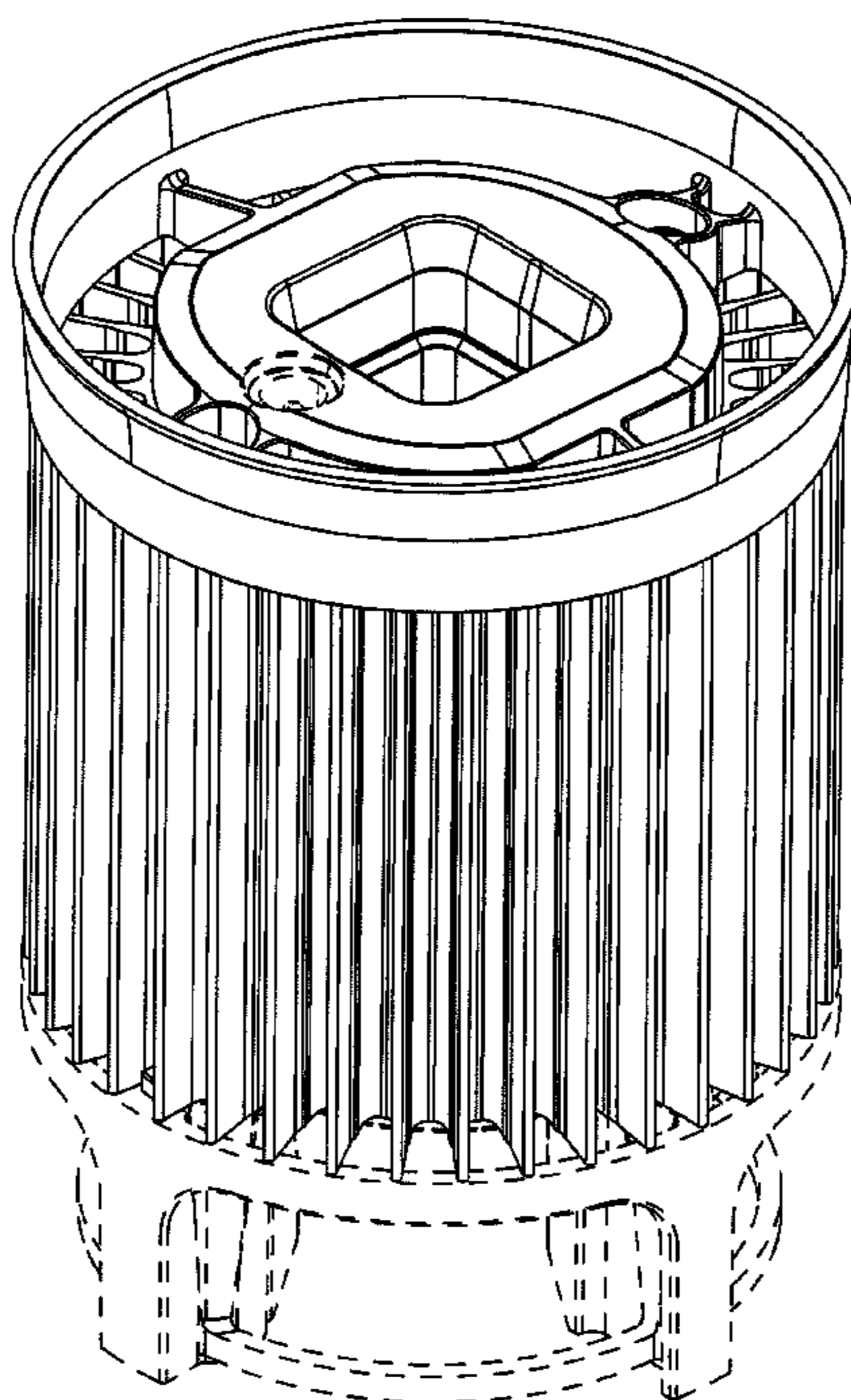
(57) **CLAIM**

The ornamental design for a thermoelectric generator for
powering an external electrically operated device, as shown
and described.

DESCRIPTION

FIG. 1 is a top, front and left side isometric view of a ther-
moelectric generator for powering an external electrically
operated device showing my new design;
FIG. 2 is a front view thereof, the left, right, and rear side
views being a mirror image;
FIG. 3 is a top plan view thereof;
FIG. 4 is a bottom plan view thereof; and,
FIG. 5 is a bottom plan view thereof, with the broken lines for
the base removed for ease of illustration.
The broken lines shown represent unclaimed subject matter
and form no part of the claimed design.

1 Claim, 5 Drawing Sheets



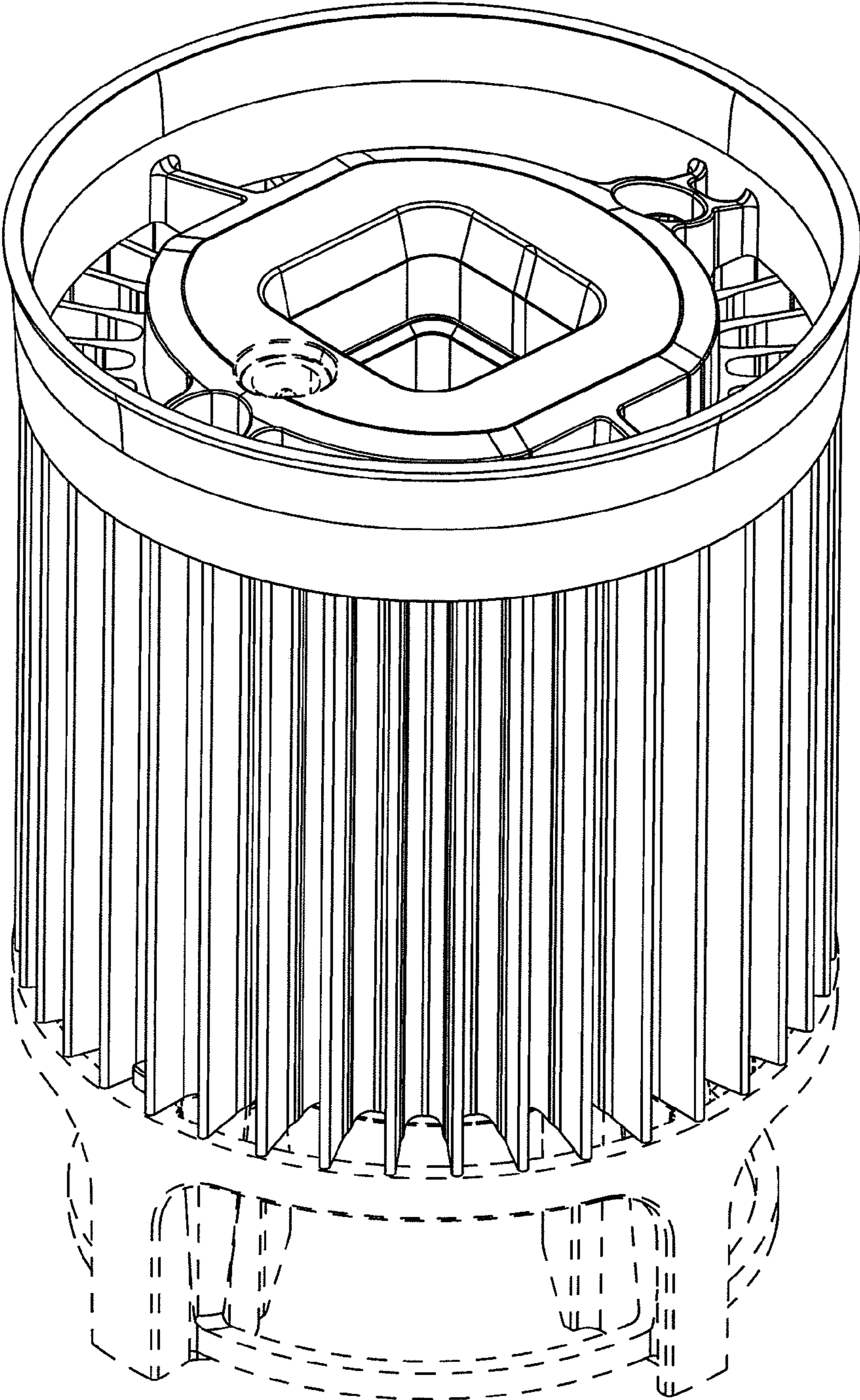


FIG. 1

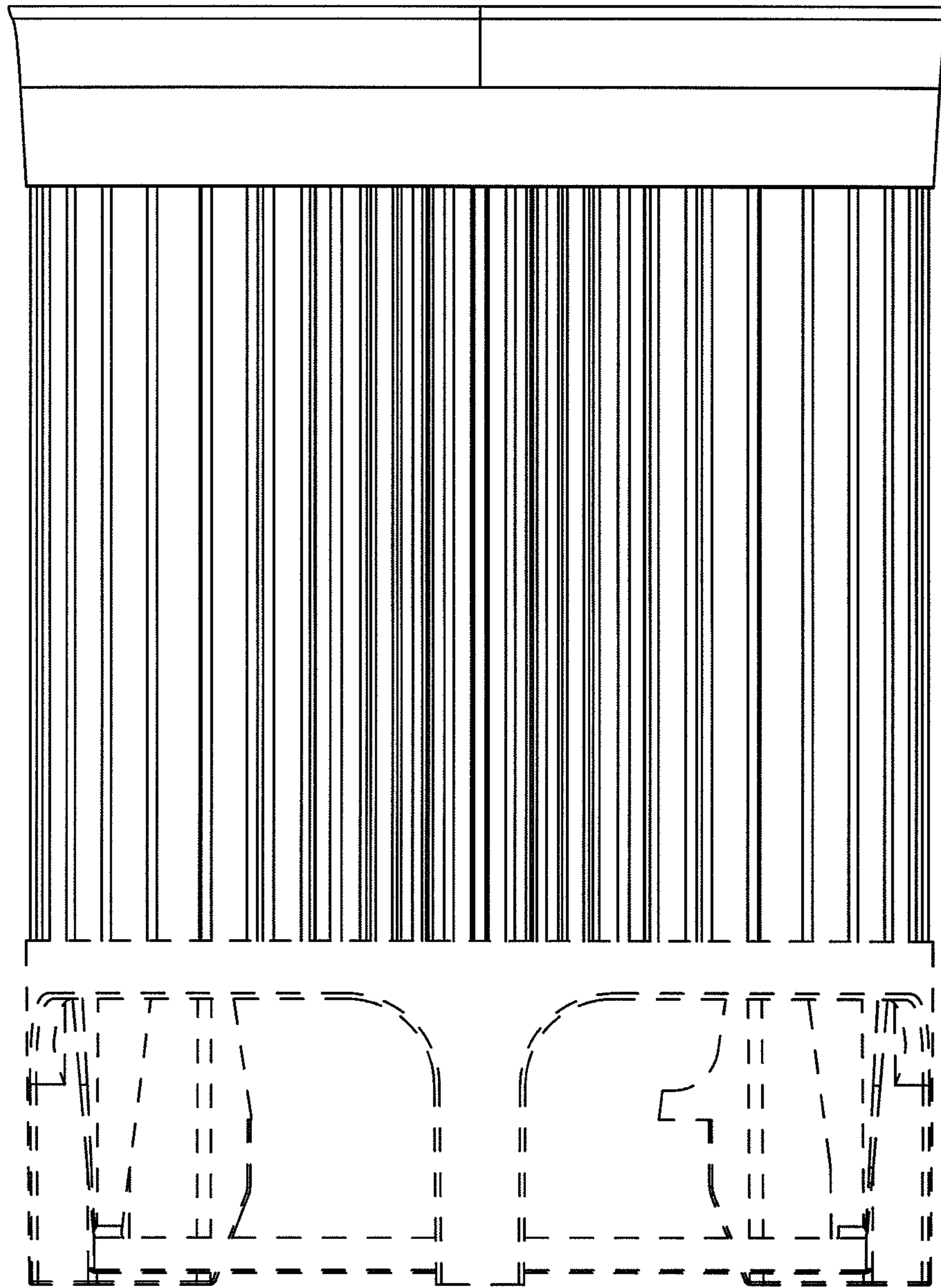


FIG. 2

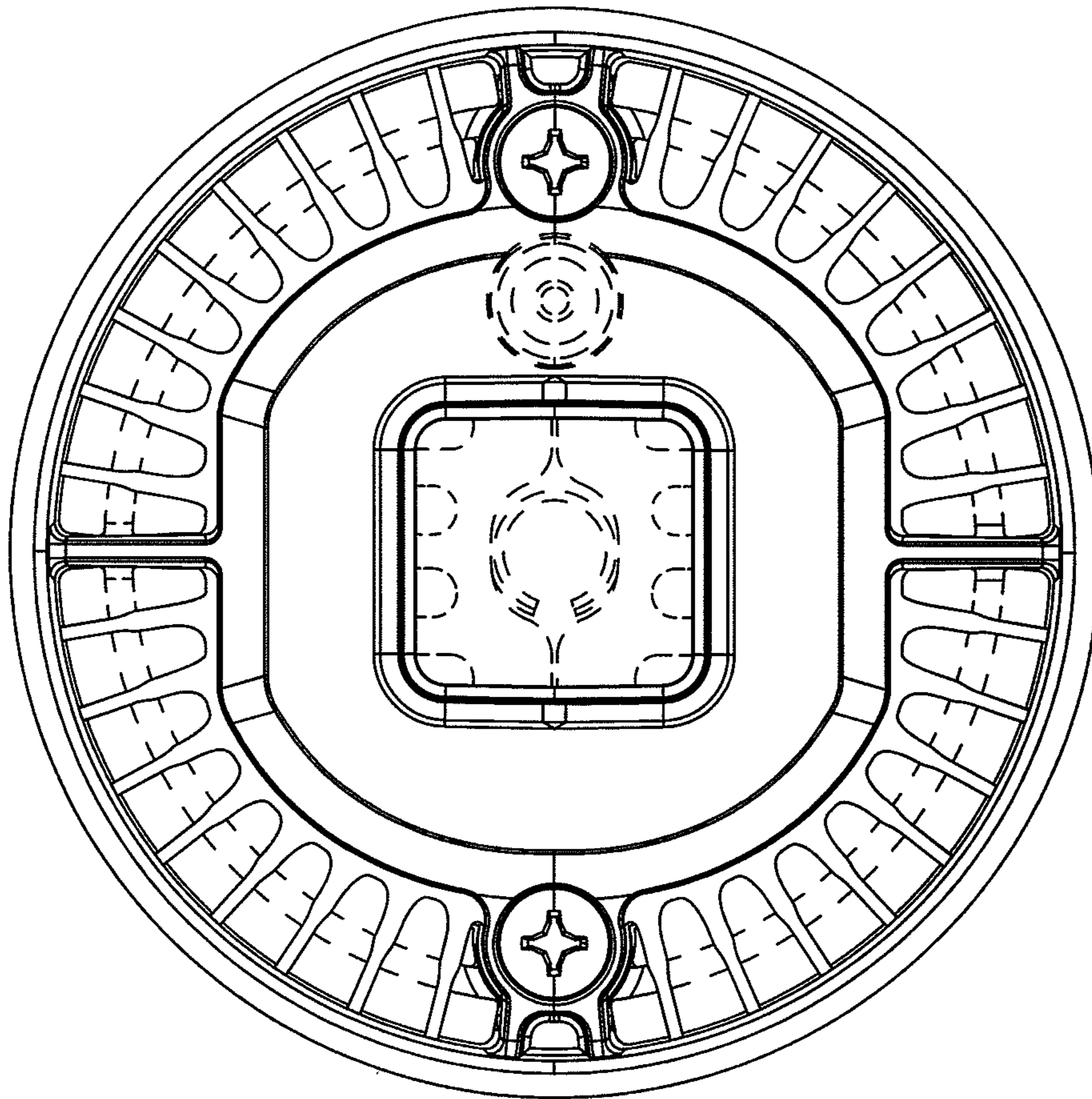


FIG. 3

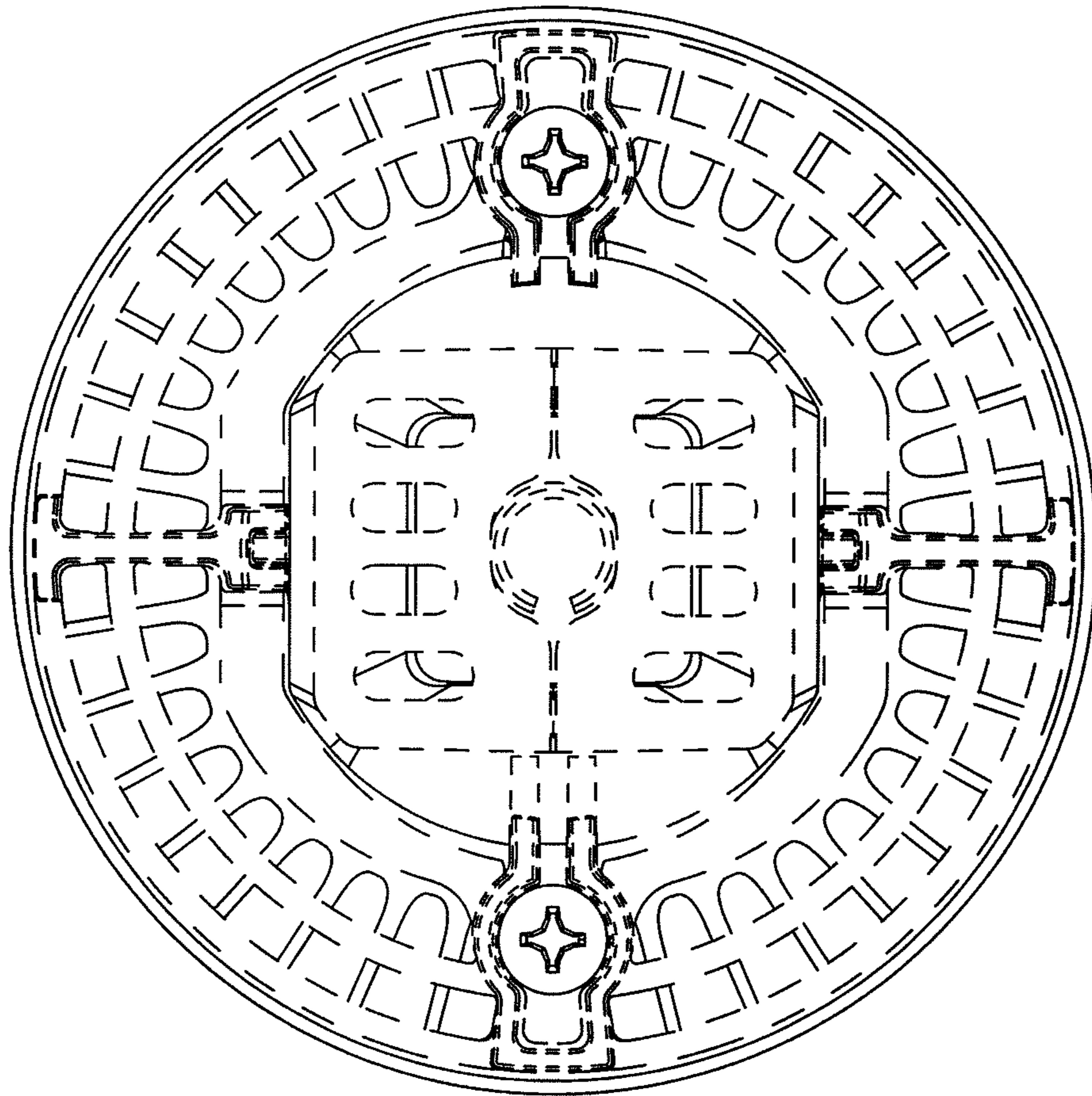


FIG. 4

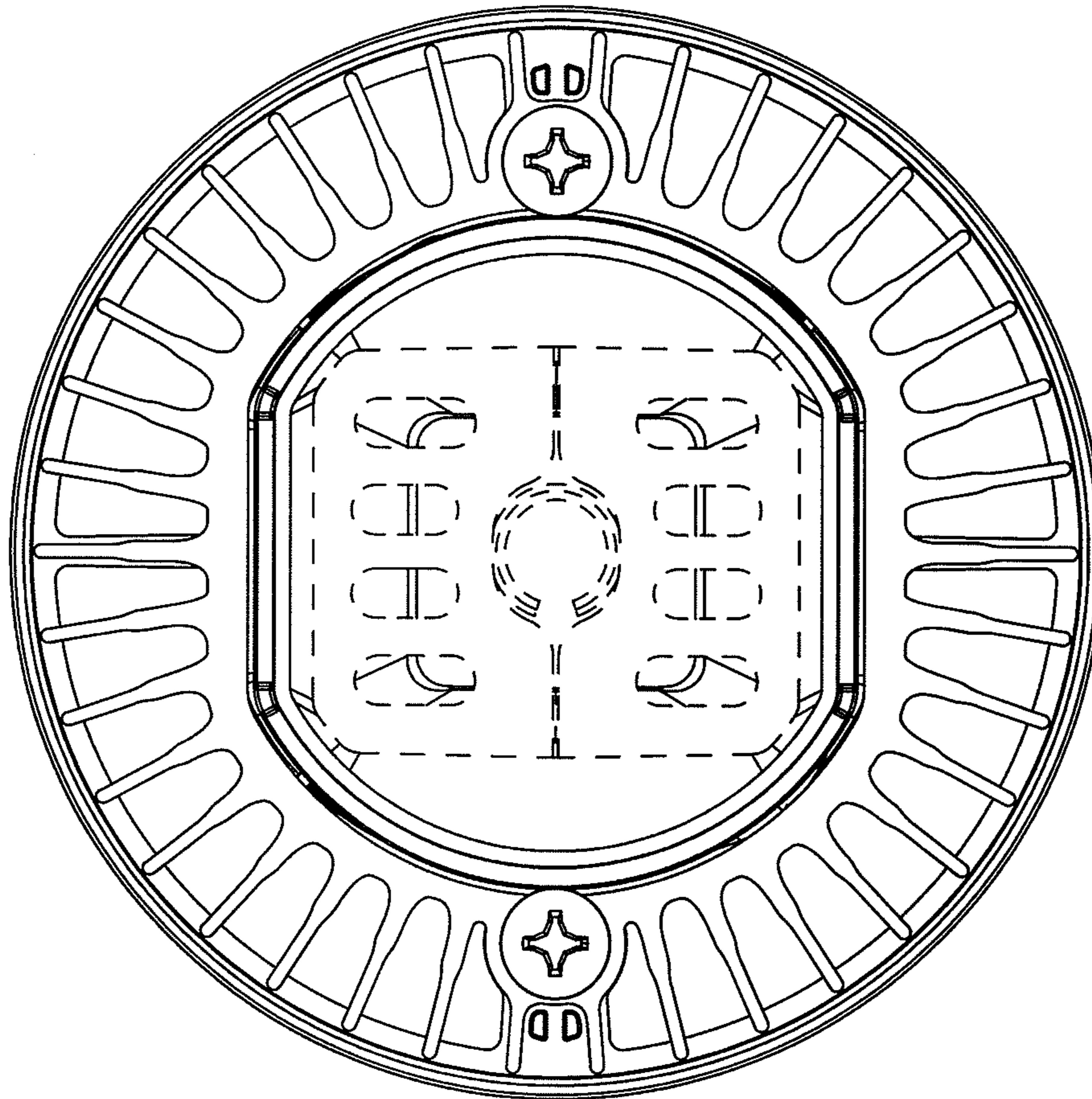


FIG. 5