



US00D686570S

(12) **United States Design Patent**
Hutnak

(10) **Patent No.:** **US D686,570 S**

(45) **Date of Patent:** **** Jul. 23, 2013**

(54) **BATTERY**

(75) Inventor: **Robert Hutnak**, Douglas, MA (US)

(73) Assignee: **ZIH Corp.**, Lincolnshire, IL (US)

(**) Term: **14 Years**

(21) Appl. No.: **29/429,729**

(22) Filed: **Aug. 15, 2012**

(51) **LOC (9) Cl.** **13-02**

(52) **U.S. Cl.**
USPC **D13/103**

(58) **Field of Classification Search**
USPC D13/102–108, 110, 118–121, 184,
D13/199; 429/96–100, 163, 176
See application file for complete search history.

(56) **References Cited**

U.S. PATENT DOCUMENTS

D408,008 S *	4/1999	Richards et al.	D13/103
D422,962 S *	4/2000	Shevlin et al.	D13/103
D439,879 S *	4/2001	Rotundo	D13/103
D490,370 S *	5/2004	Picardo	D13/103
D534,491 S *	1/2007	Panebianco et al.	D13/119
D538,225 S *	3/2007	Lyman et al.	D13/119
D538,226 S	3/2007	Lyman et al.	

D557,204 S *	12/2007	Panebianco et al.	D13/103
D584,683 S *	1/2009	Preliasco et al.	D13/103
D591,231 S *	4/2009	Wung et al.	D13/103
D637,552 S *	5/2011	Inman et al.	D13/103
D642,517 S *	8/2011	Inman et al.	D13/103

* cited by examiner

Primary Examiner — Rosemary K Tarcza

(74) *Attorney, Agent, or Firm* — Alston & Bird LLP

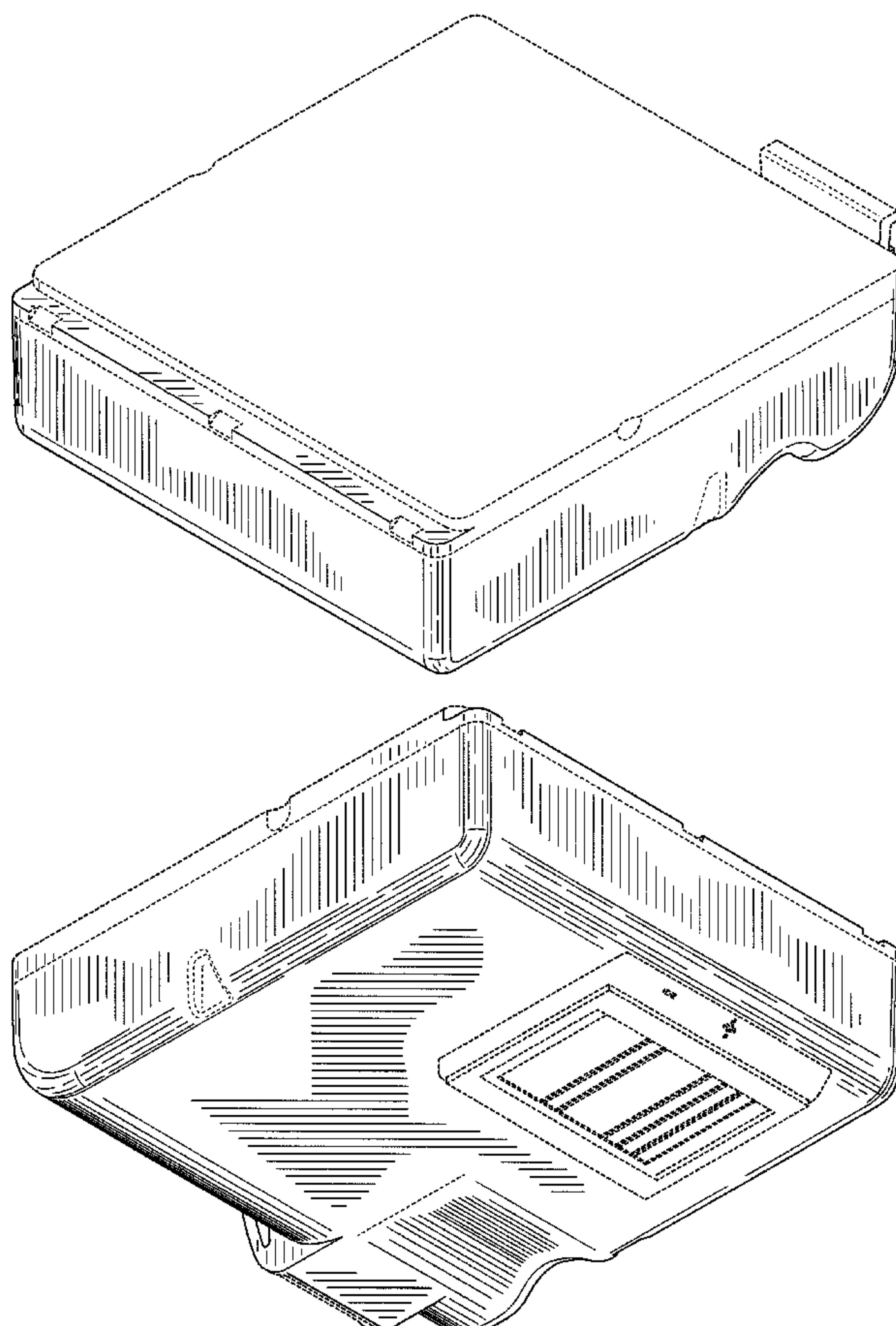
(57) **CLAIM**

The ornamental design for a battery, as shown and described.

DESCRIPTION

FIG. 1 is a perspective view of a battery according to my new design;
 FIG. 2 is another perspective view thereof;
 FIG. 3 is a front elevation view thereof;
 FIG. 4 is a back elevation view thereof;
 FIG. 5 is a left side elevation view thereof;
 FIG. 6 is a right side elevation view thereof;
 FIG. 7 is a top plan view thereof; and,
 FIG. 8 is a bottom plan view thereof.
 The broken lines are directed to environment and are for illustrative purposes only. The broken lines form no part of any embodiment of the claimed design.

1 Claim, 6 Drawing Sheets



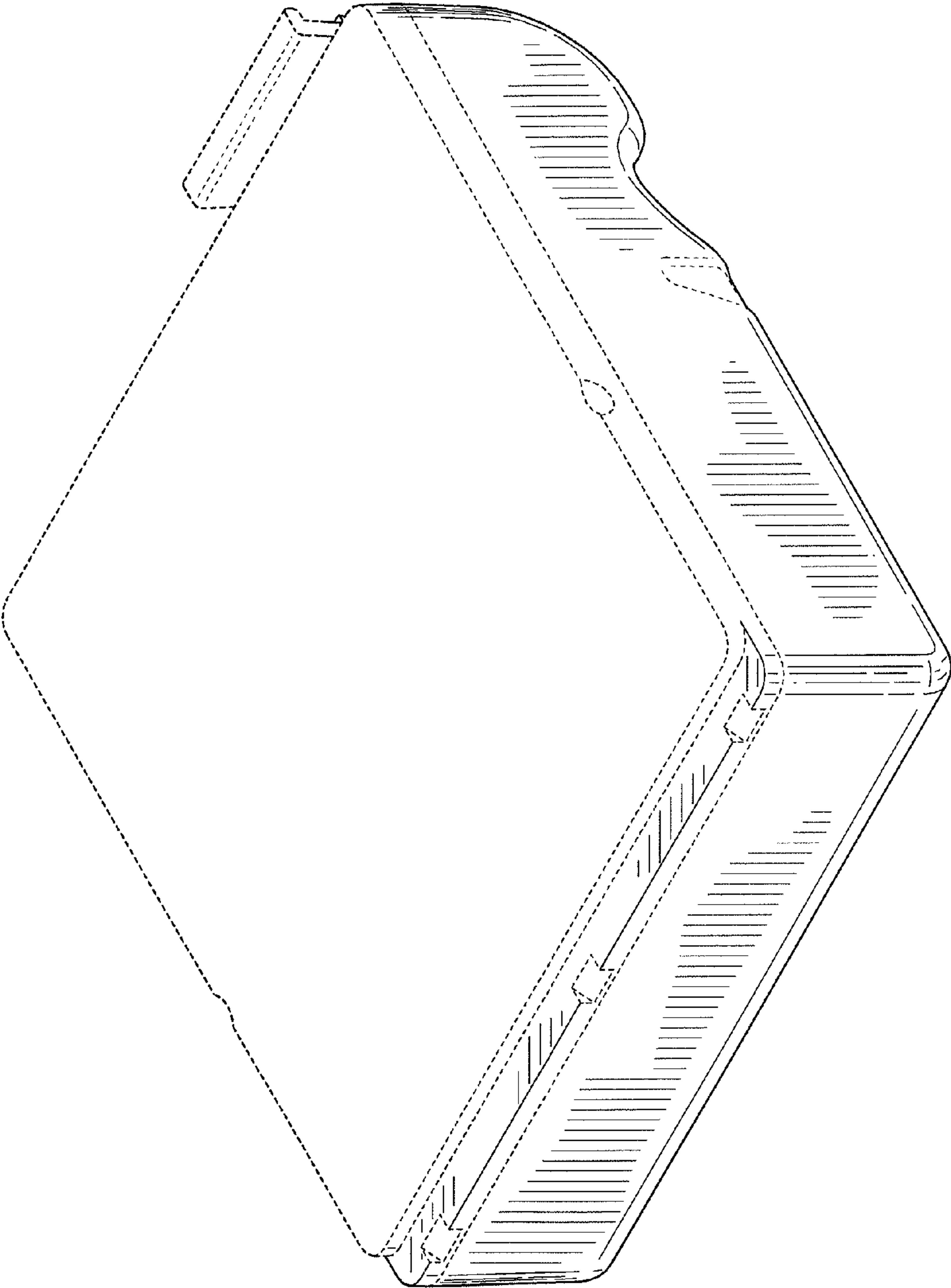


FIG. 1

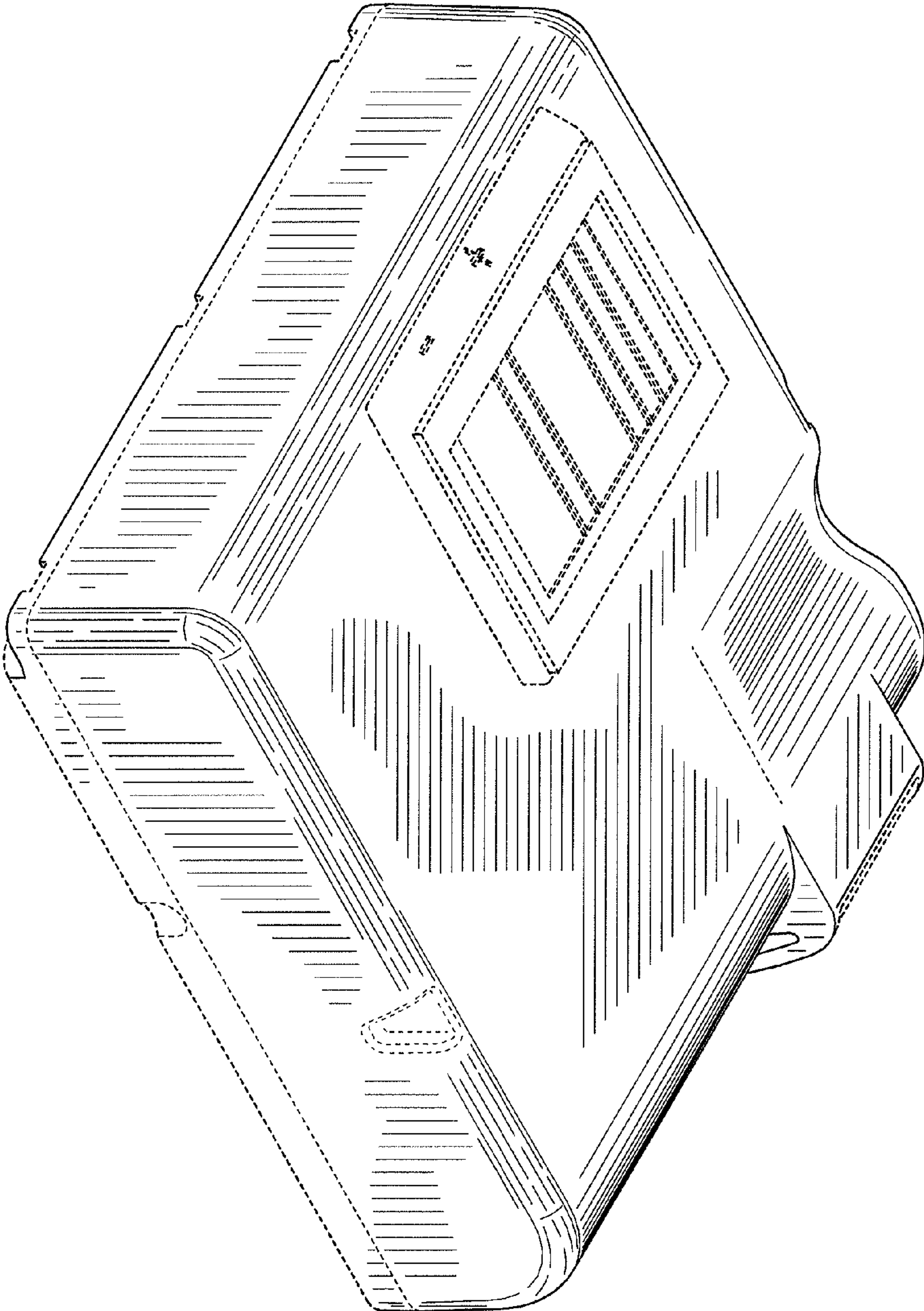


FIG. 2

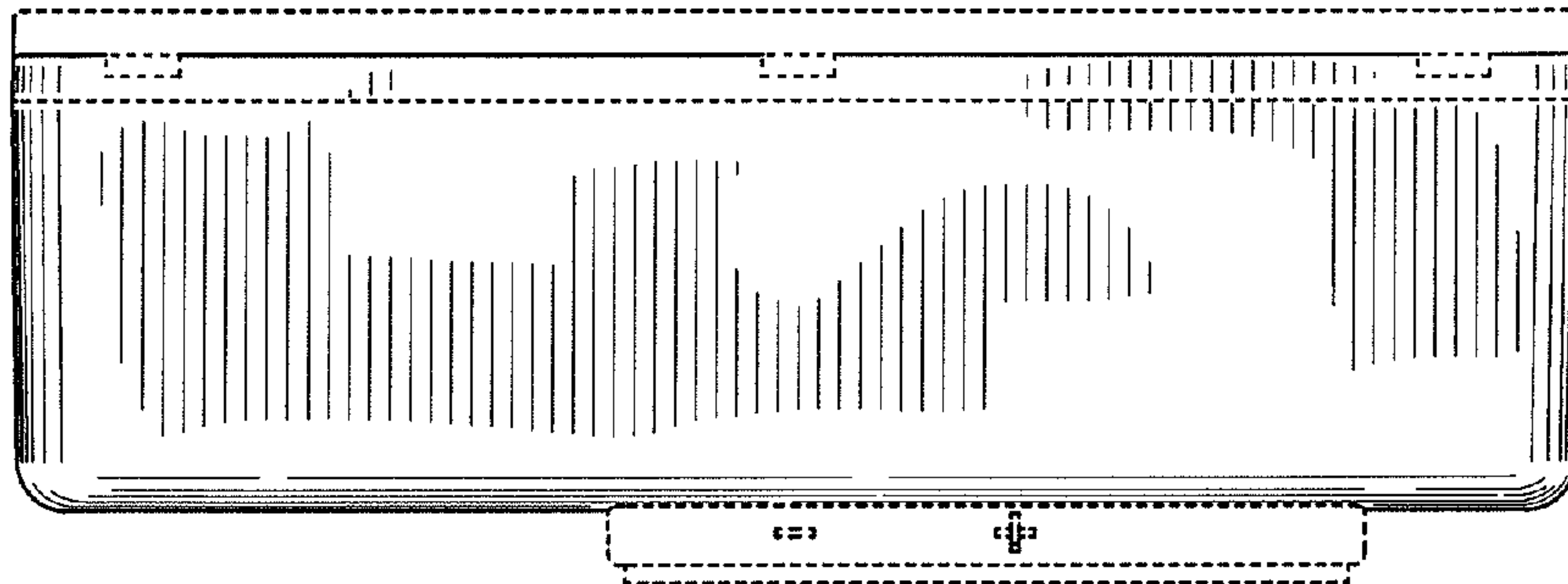


FIG. 3

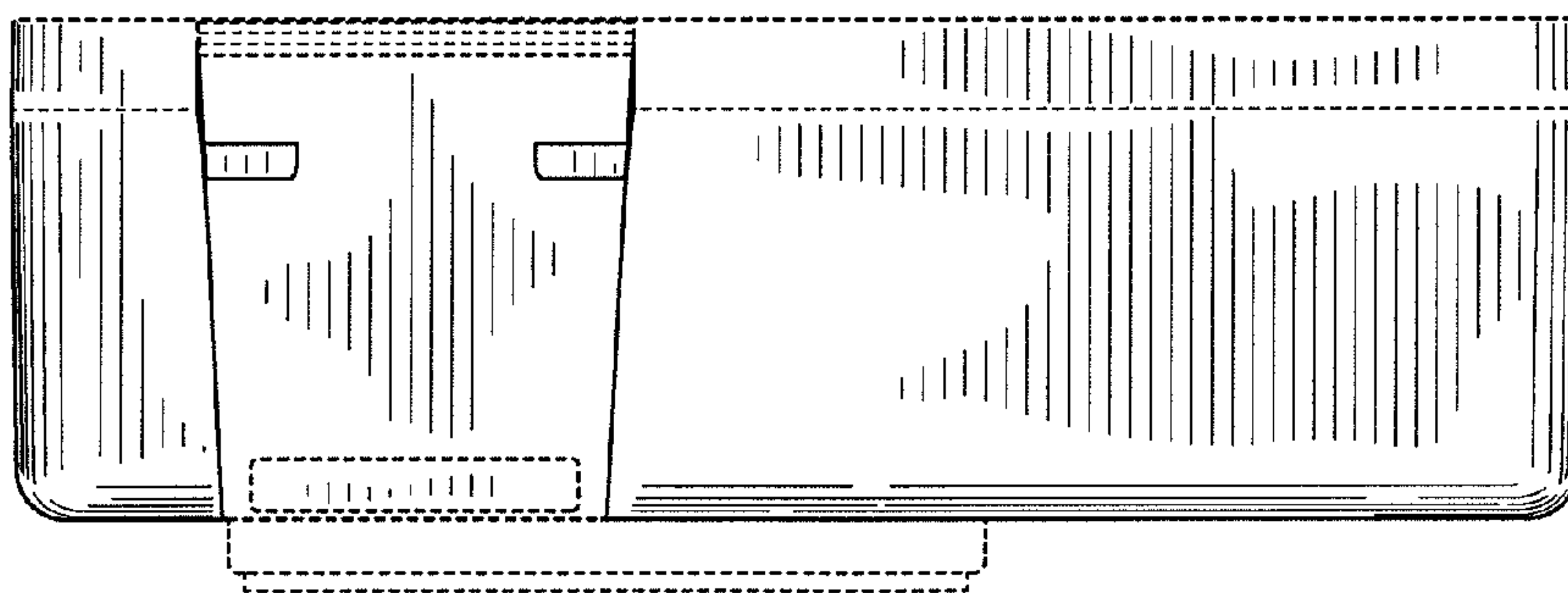


FIG. 4

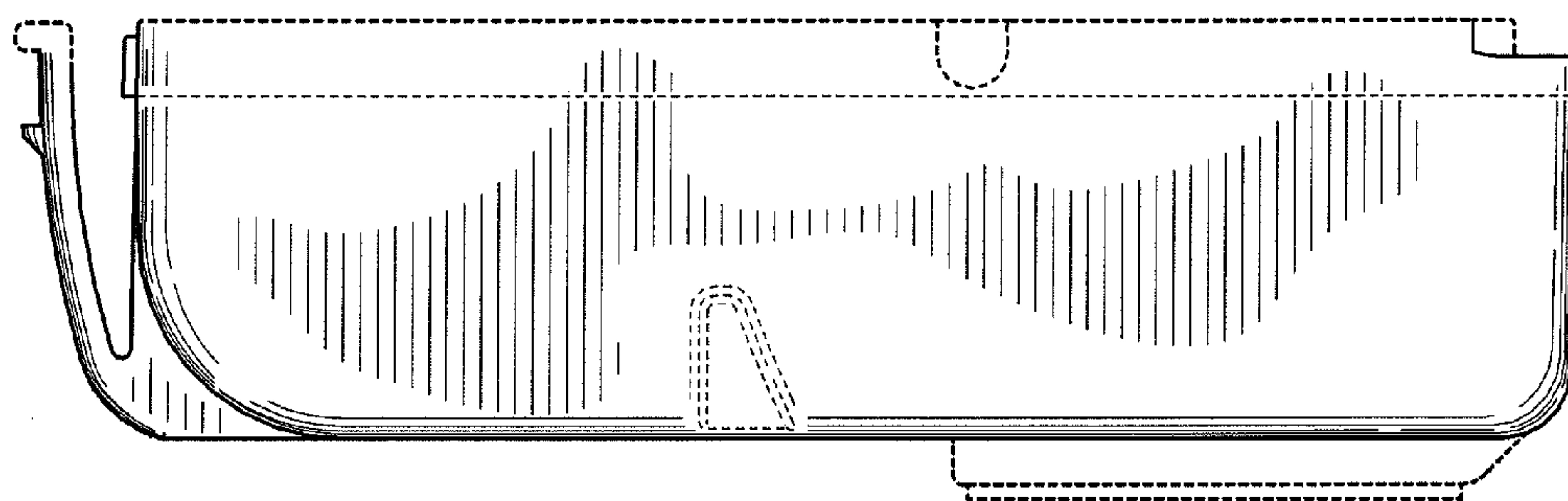


FIG. 5

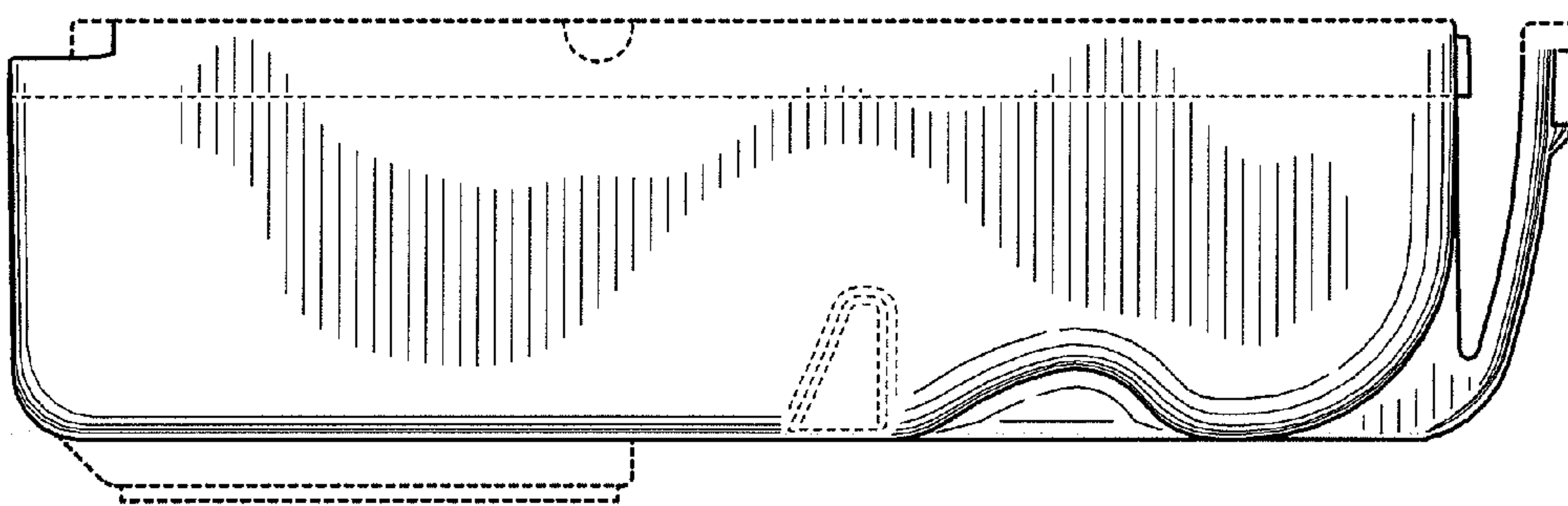


FIG. 6

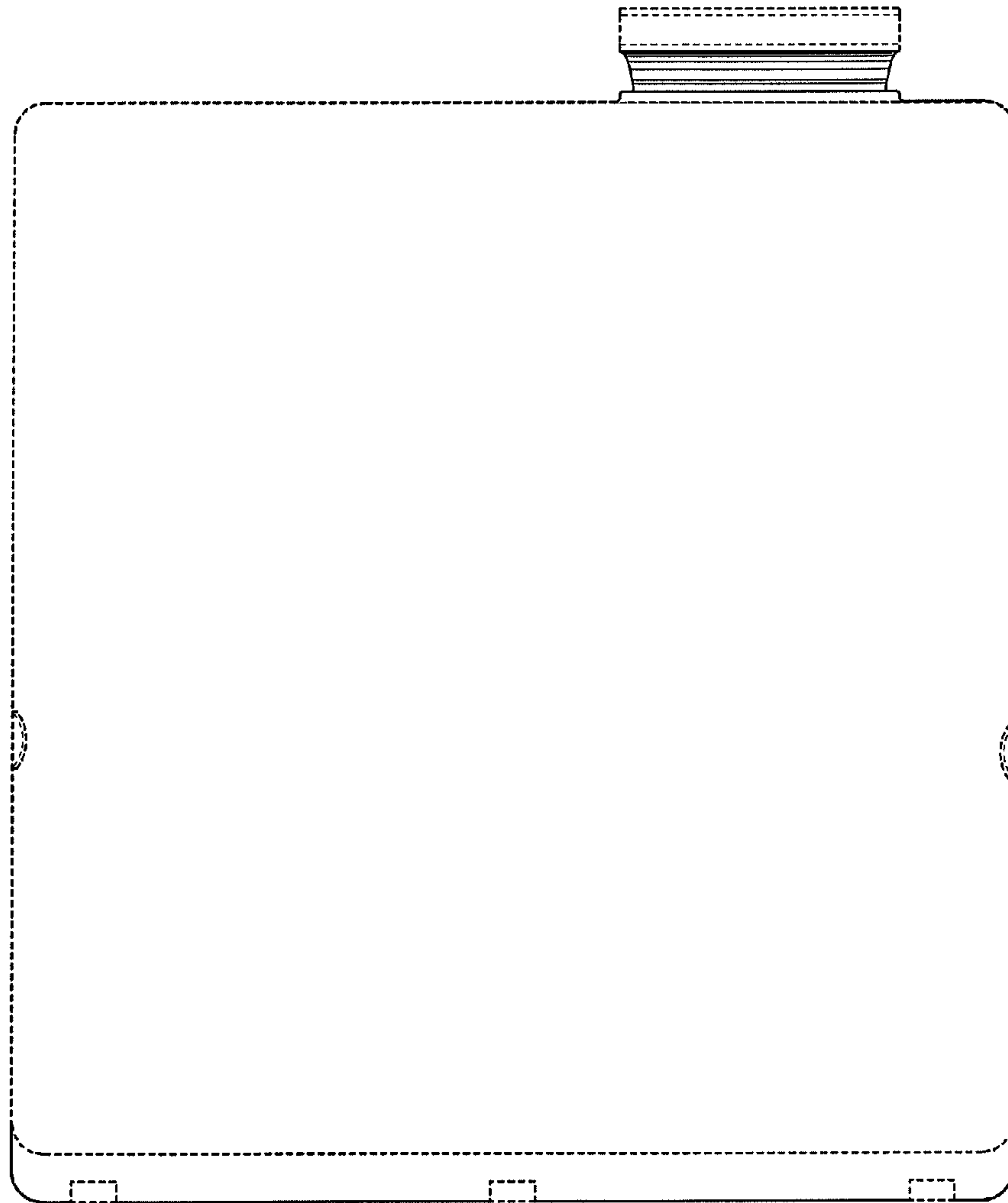


FIG. 7

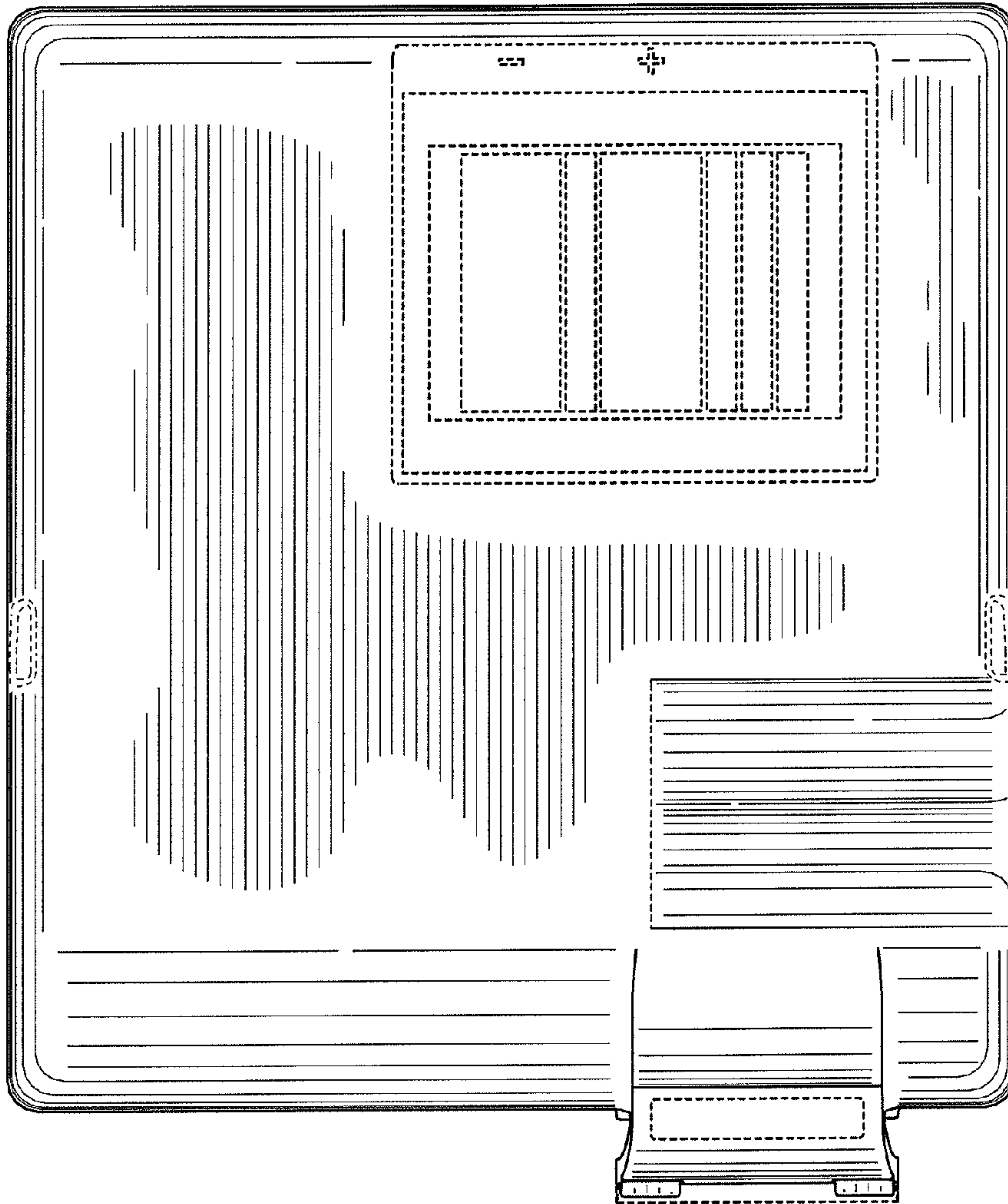


FIG. 8