



US00D686567S

(12) **United States Design Patent**
Fu

(10) **Patent No.:** **US D686,567 S**
(45) **Date of Patent:** **** Jul. 23, 2013**

- (54) **TIRE**
- (75) Inventor: **Jason Q. Fu**, Shanghai (CN)
- (73) Assignee: **Cooper Tire & Rubber Company**, Findlay, OH (US)
- (**) Term: **14 Years**
- (21) Appl. No.: **29/374,944**
- (22) Filed: **Oct. 31, 2011**
- (51) **LOC (9) Cl.** **12-15**
- (52) **U.S. Cl.**
USPC **D12/600**
- (58) **Field of Classification Search**
USPC D12/568-603; 152/209.1-209.28
See application file for complete search history.

(56) **References Cited**

U.S. PATENT DOCUMENTS

- D456,767 S * 5/2002 Wallet et al. D12/582
- D458,212 S * 6/2002 Guspodin D12/582
- D482,323 S * 11/2003 Corbin et al. D12/584

* cited by examiner

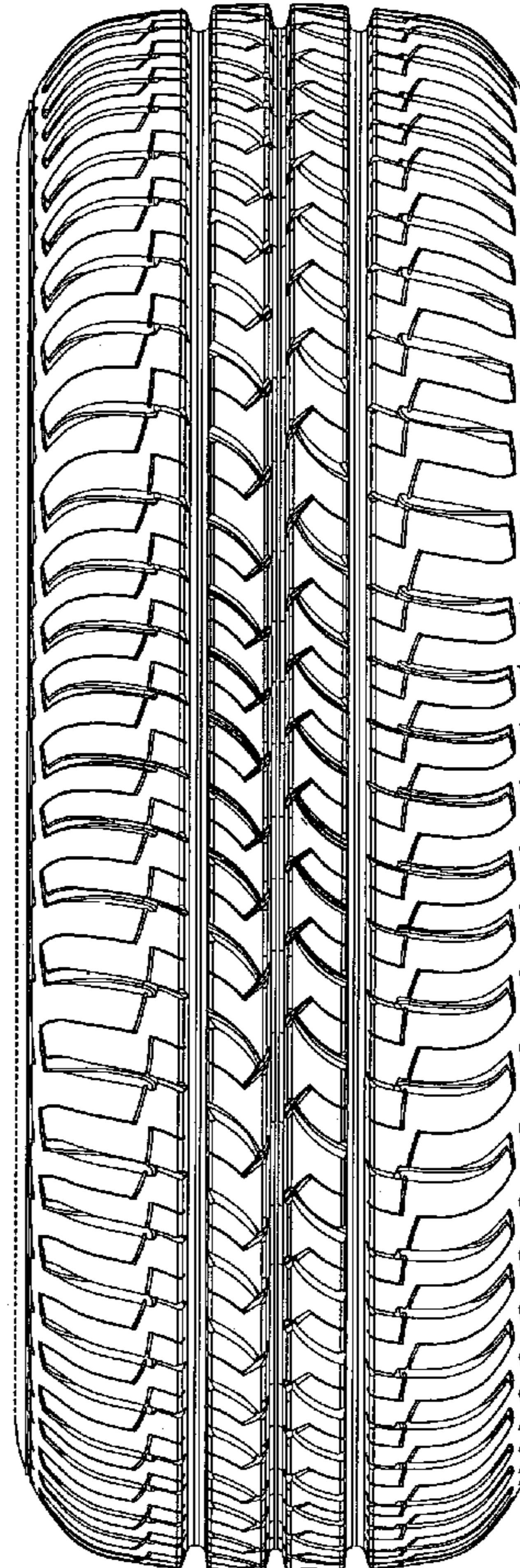
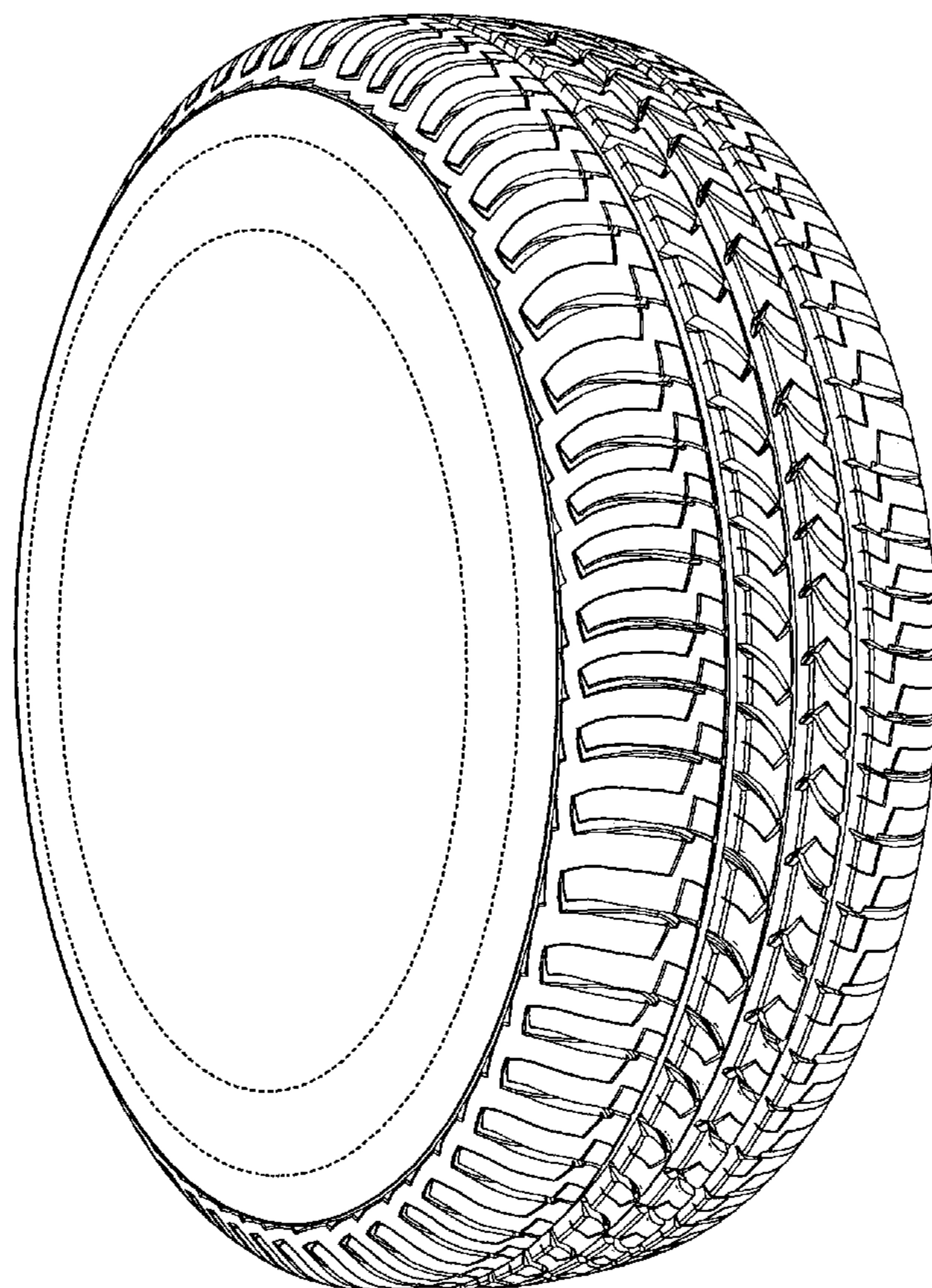
Primary Examiner — George D Kirschbaum
(74) *Attorney, Agent, or Firm* — Emch, Schaffer, Schaub & Porcello, Co., L.P.A.

(57) **CLAIM**
The ornamental design for a tire, as shown and described.

DESCRIPTION

FIG. 1 is a perspective view of the tire in accordance with the invention;
FIG. 2 is a front elevation view thereof;
FIG. 3 is a side elevation view thereof; and,
FIG. 4 is a partial front elevation view thereof, shown at an enlarged scale.
In the drawings, the broken lines defining portions of the sidewall, and inner bead depict environmental subject matter that forms no part of the claimed design.

1 Claim, 4 Drawing Sheets



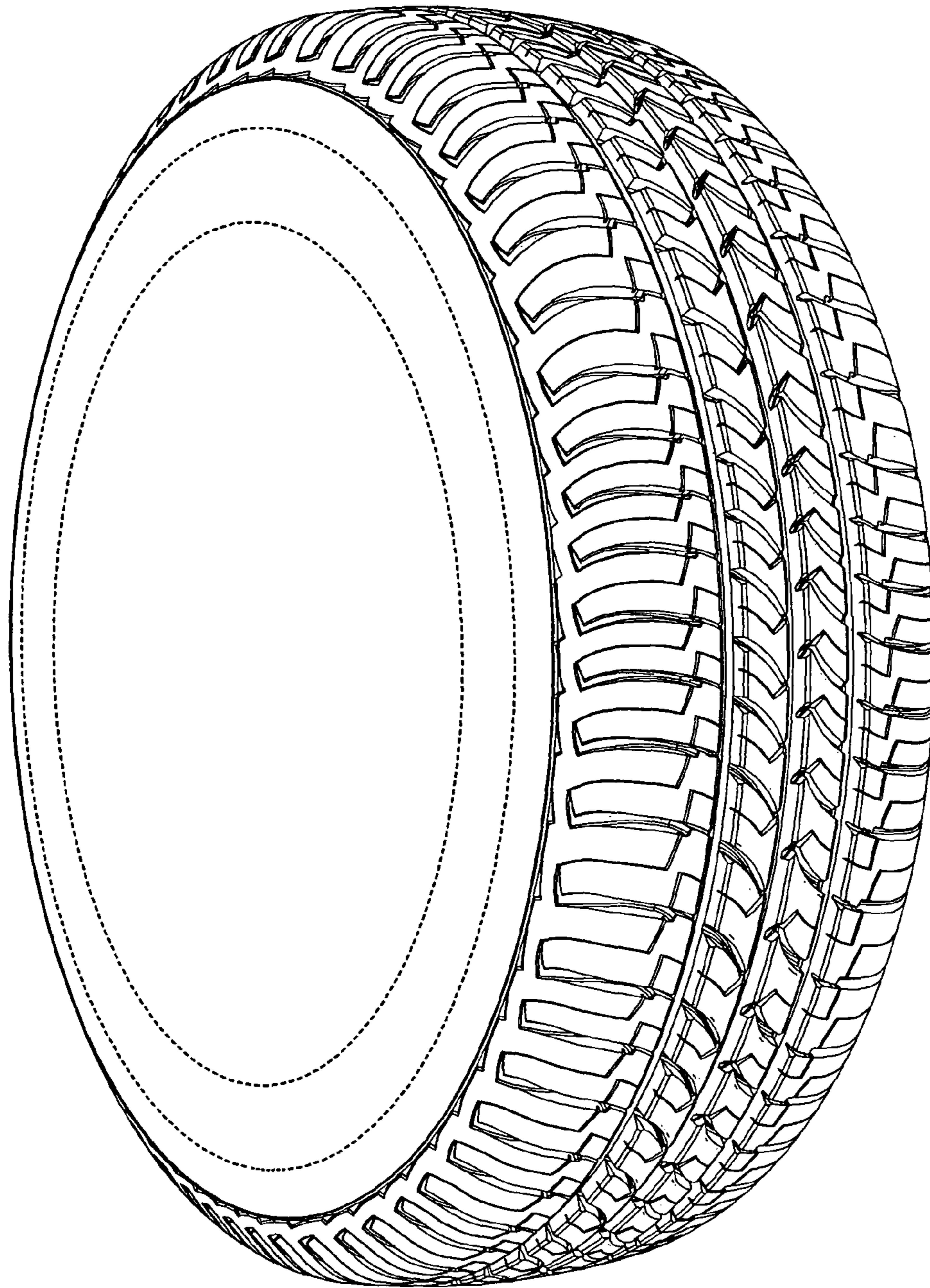


FIG. 1

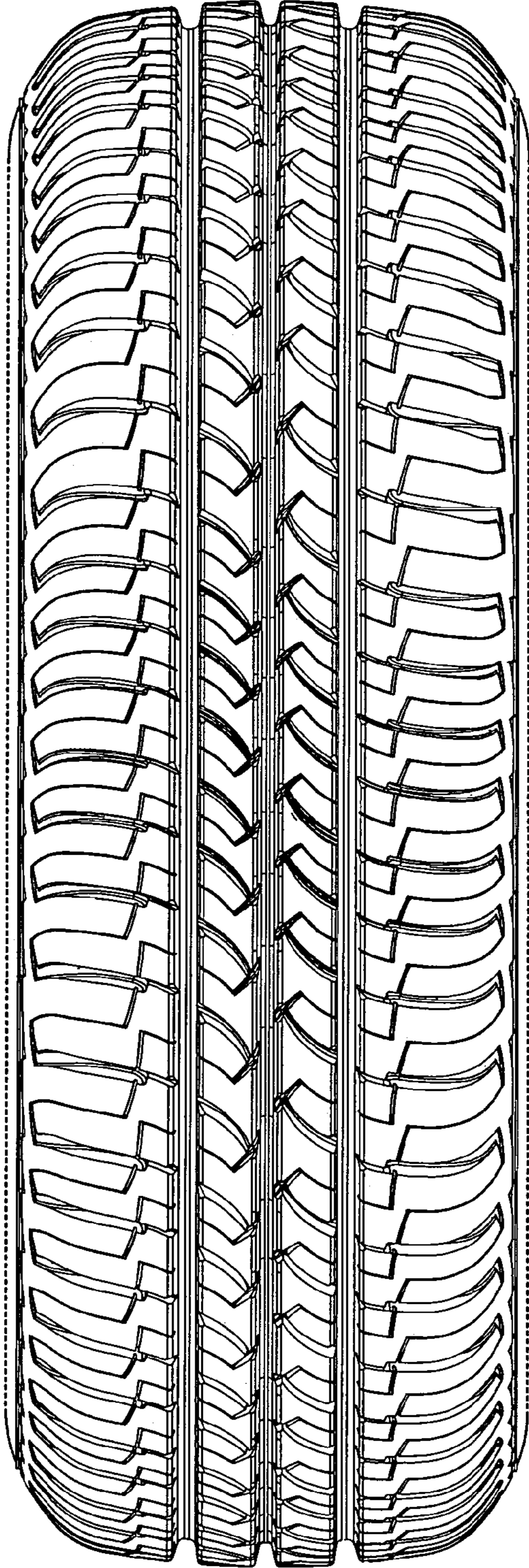


FIG. 2

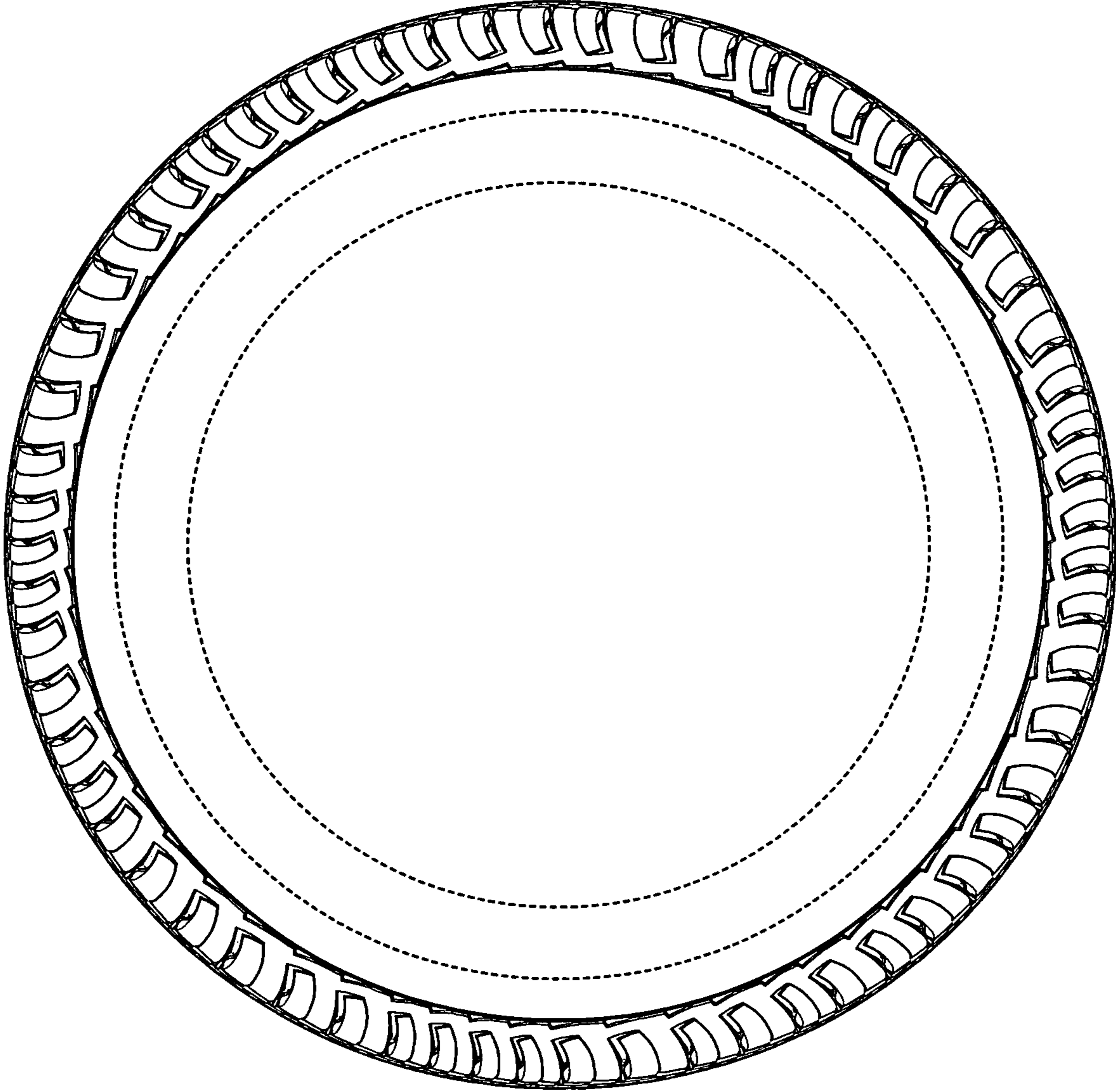


FIG. 3

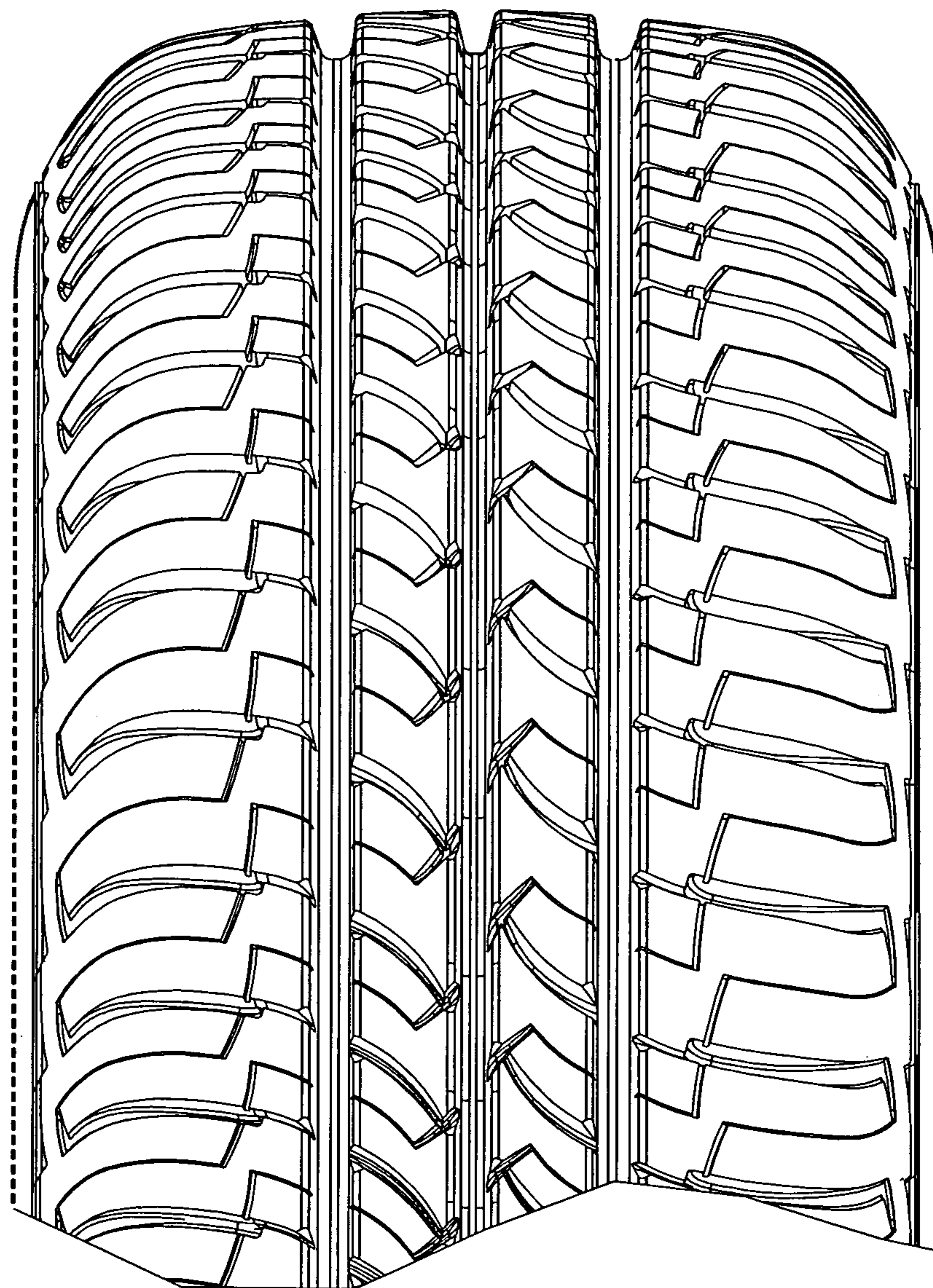


FIG. 4